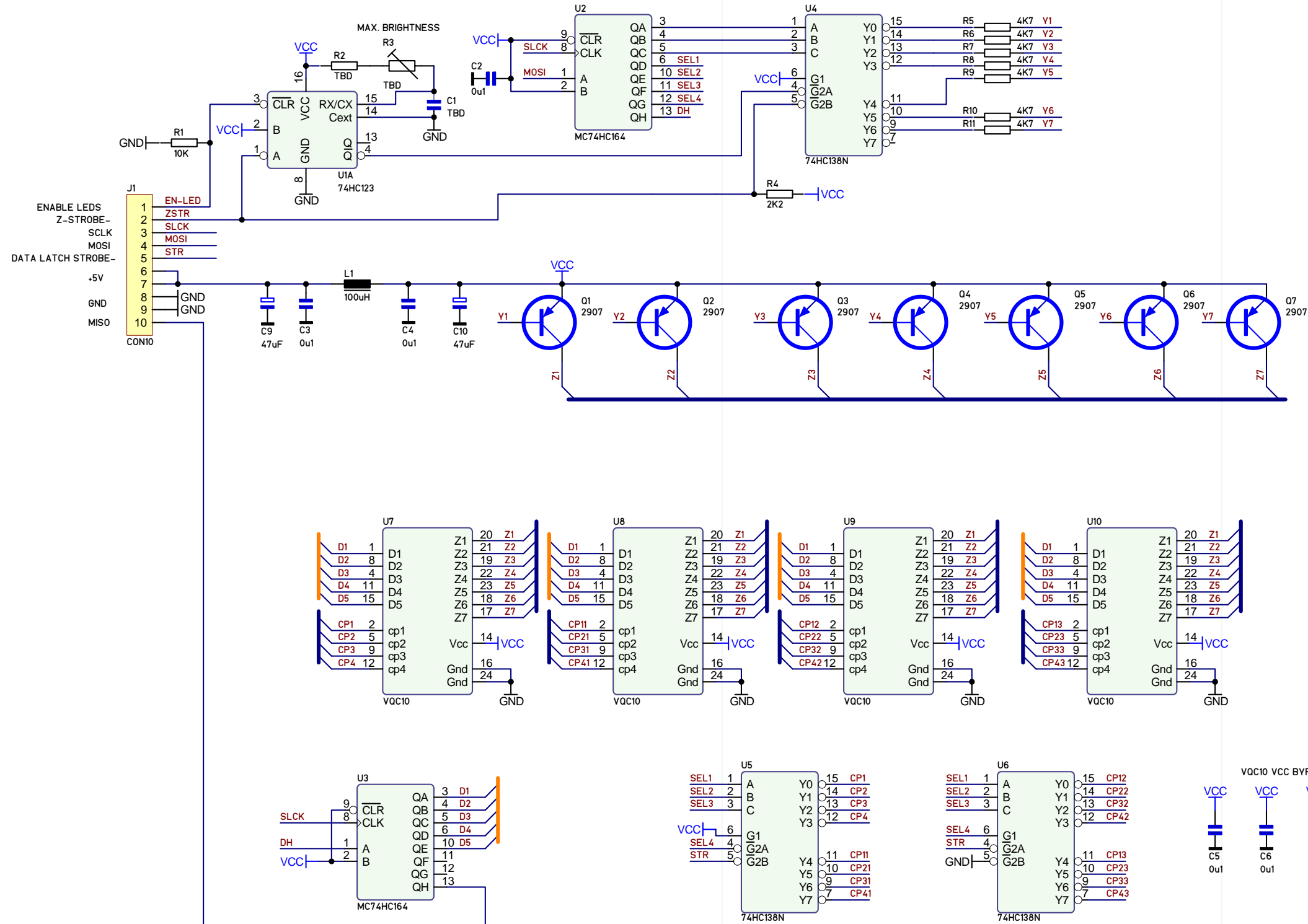


VQC10 16-CHARACTER DISPLAY ADAPTER



Unless otherwise specified, all values are as follows: resistor values are in Ohms, i.e. 0R47, 5R6, 220, 5K6, 22K capacitor values are in Microfarads, i.e. 220p, 0u1, 2u2, 33 inductor values are in Microhenries, i.e. 0u22, 5u6, 68, 2m2		PCB Name: VQC10 DISPLAY ADAPTER		Title: VQC10 16-Character Display Adapter	
This drawing is our property. Duplication, unauthorized use of any kind is prohibited.		PCB Nr.: 5500-0029		Used in: TEST	
Without Approval use only for inquiry.		PCB Type: G10 - TBD		Repl. for: N/A	
Approval:		Scale: EL		Build No.: 1	
Date: 11-Oct-2016		Name: GJO		Drw. Type: PCB SCHEMATIC	
Change Index:		Change Notification Nr.:		Prj. Nr.: 16020	
Modified:		Date:		Size: A3	
Checked:		Name:		Rev: 1	
<input type="checkbox"/> Prototype <input type="checkbox"/> Production <input type="checkbox"/> BOM Done?		File: VQC10_Display.sch		Drw. Nr.: 4415-0029	
				Sheet 1 of 1	