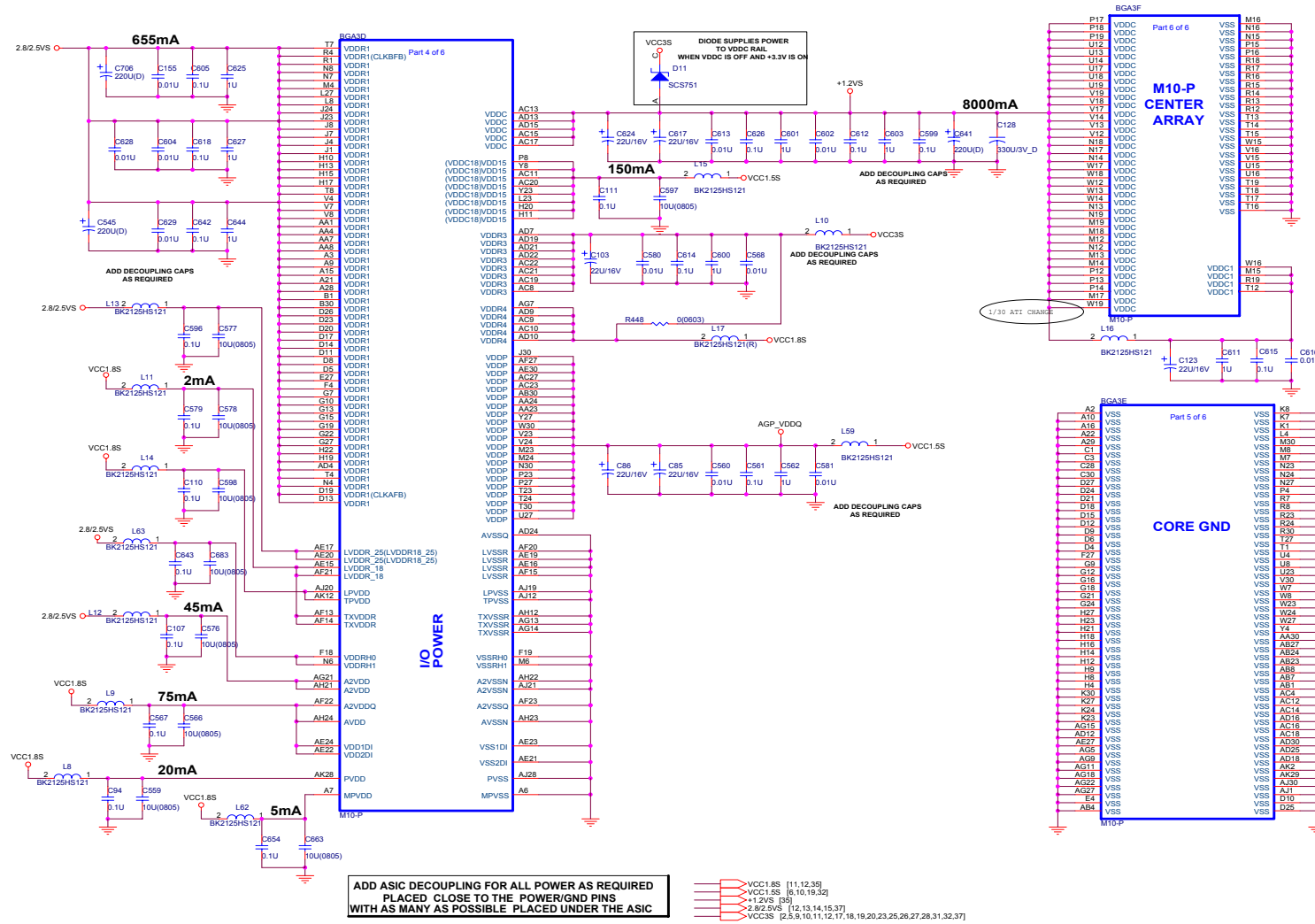


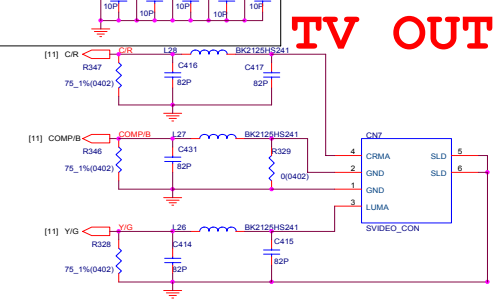
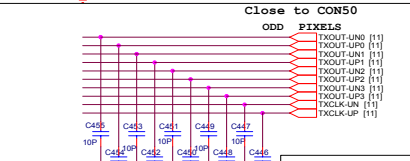
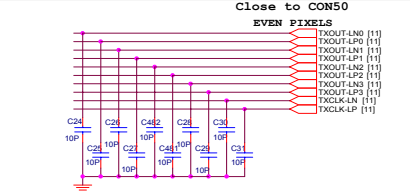
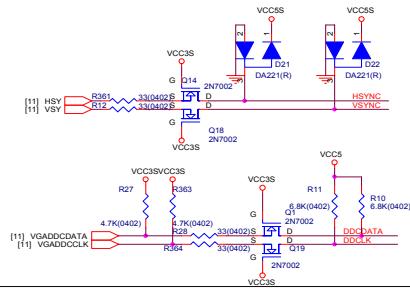
Mobility M10-P_POW



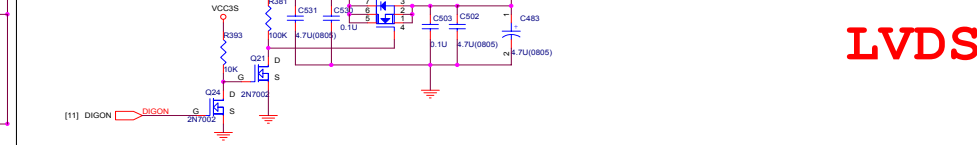
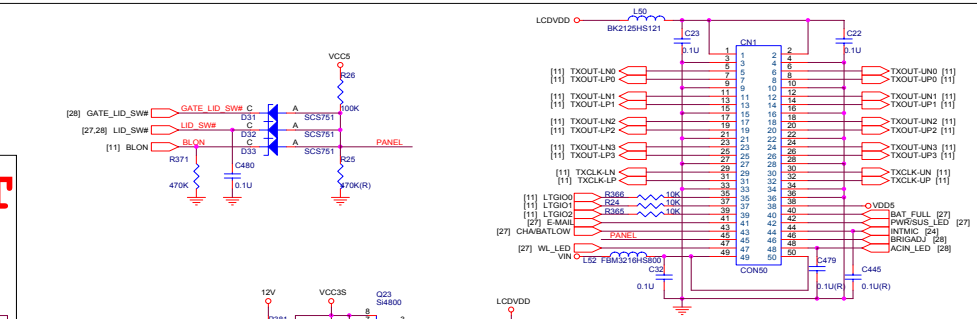
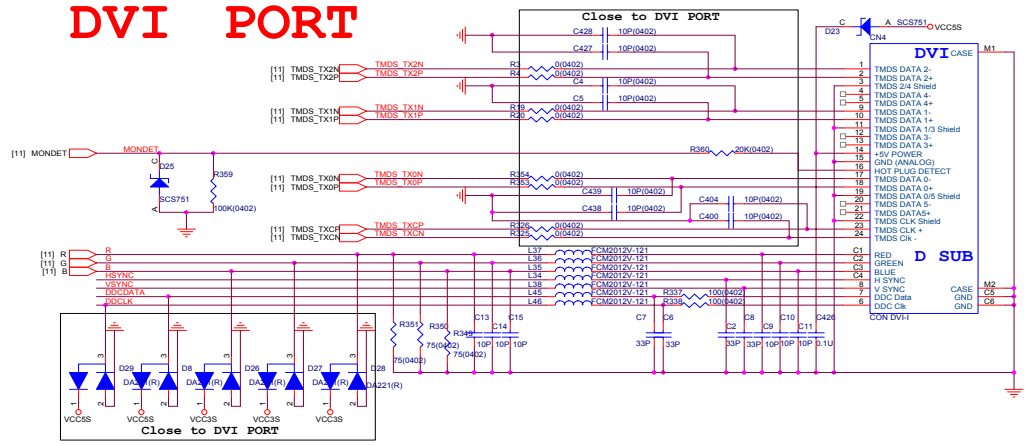
Sheet 16 of 39
Mobility M10-P_POW

DVI, TV Out & LVDS

Sheet 17 of 39
DVI, TV Out & LVDS

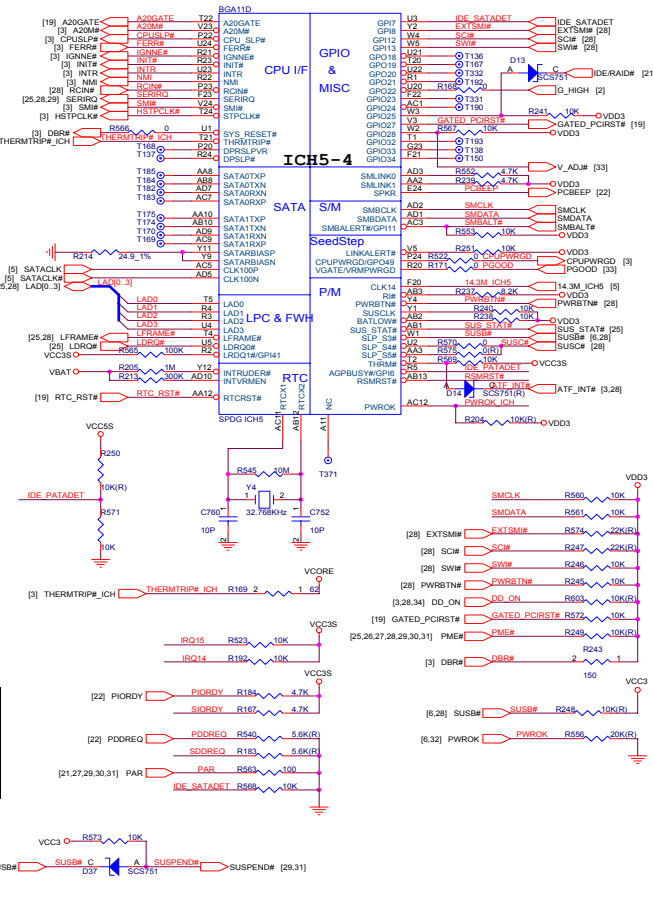
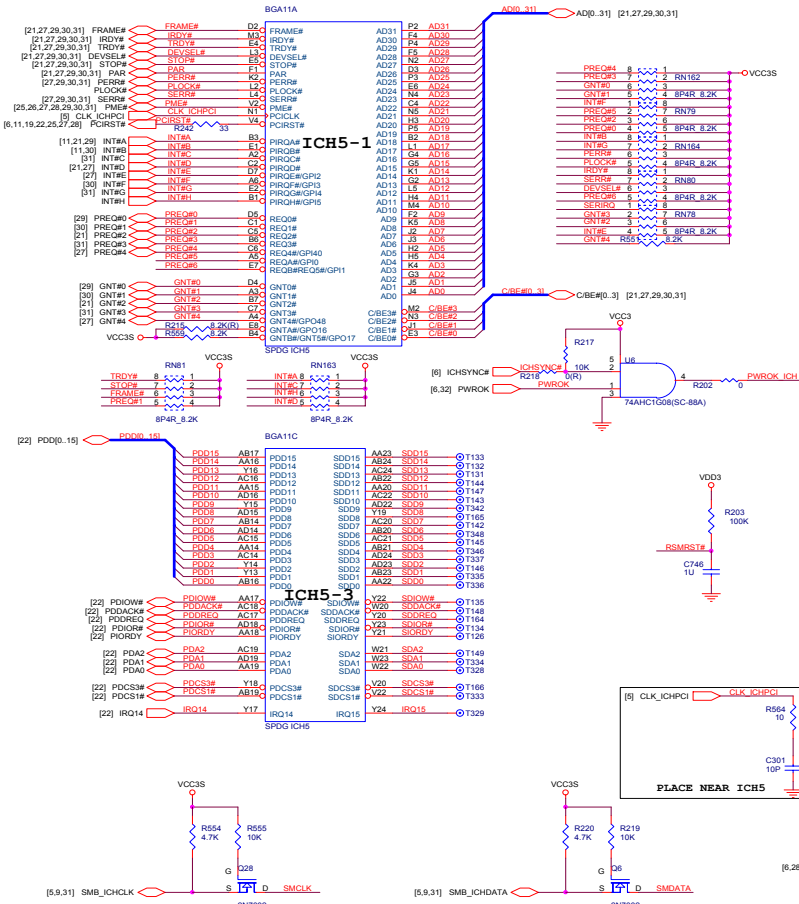


DVI PORT



LVDS

ICH5 (1 of 2)

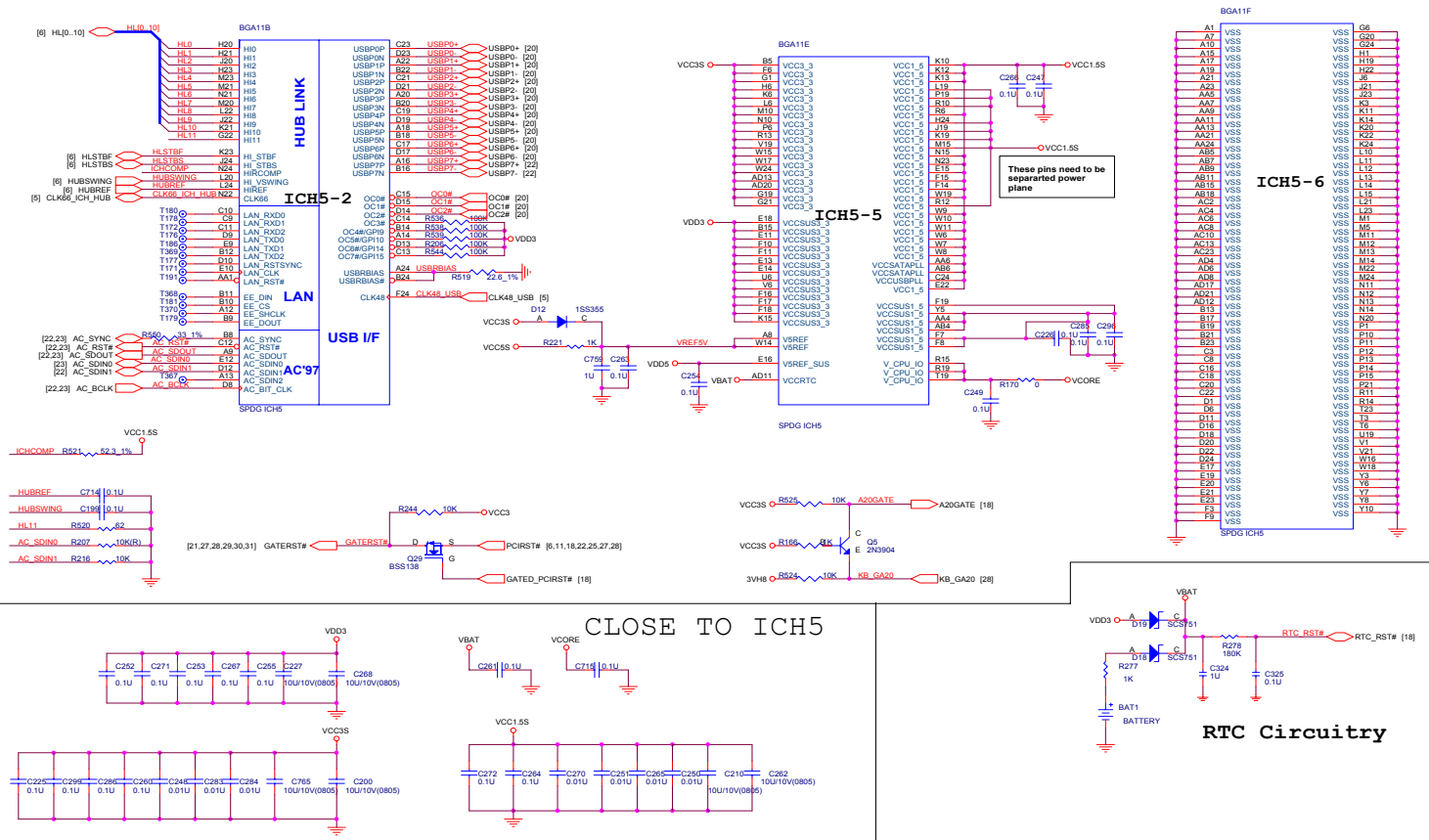


Sheet 18 of 39
ICH5
(1 of 2)

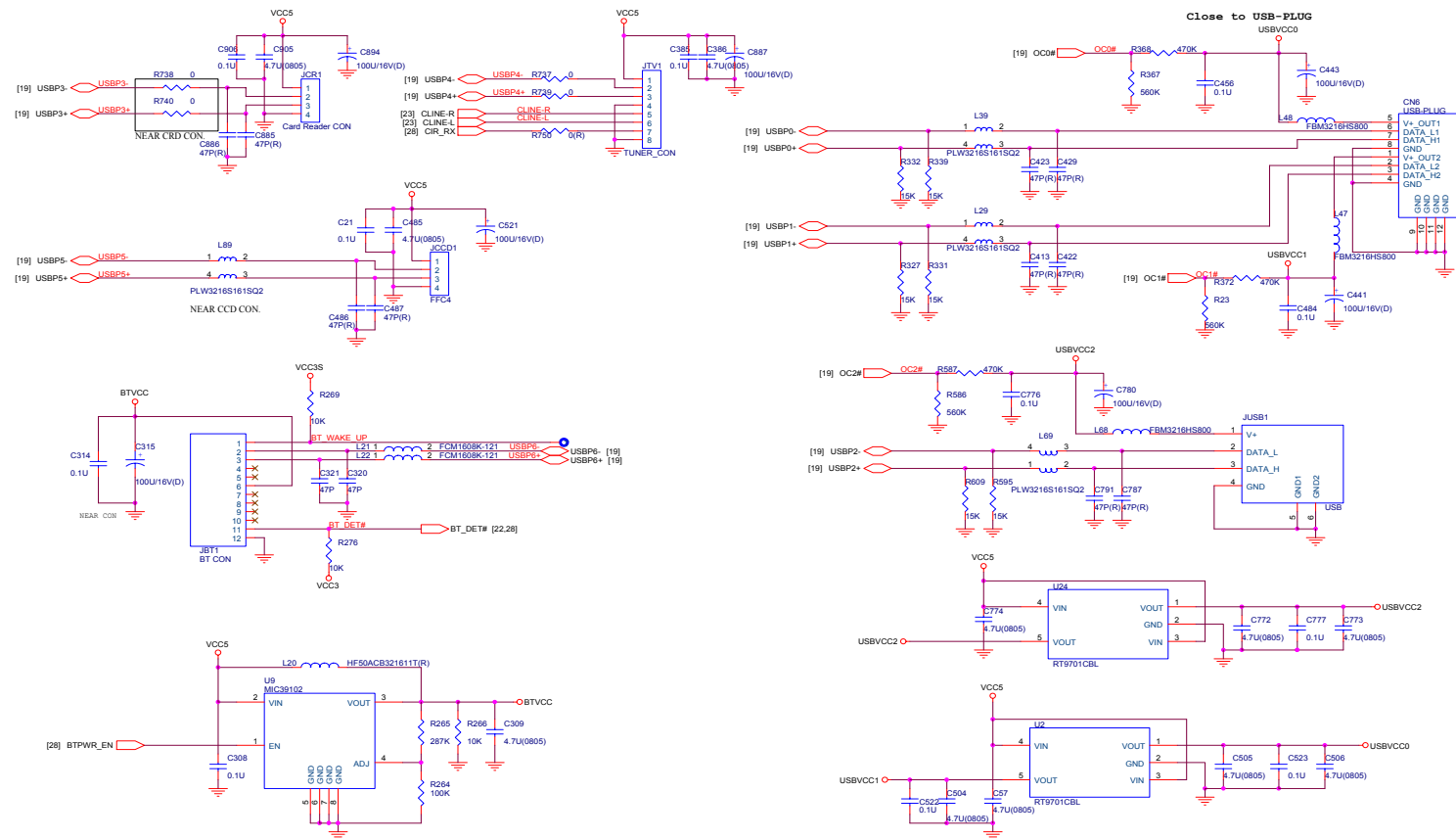
Schematic Diagrams

ICH5 (2 of 2)

Sheet 19 of 39
ICH5 2/2



USB Port & RTC

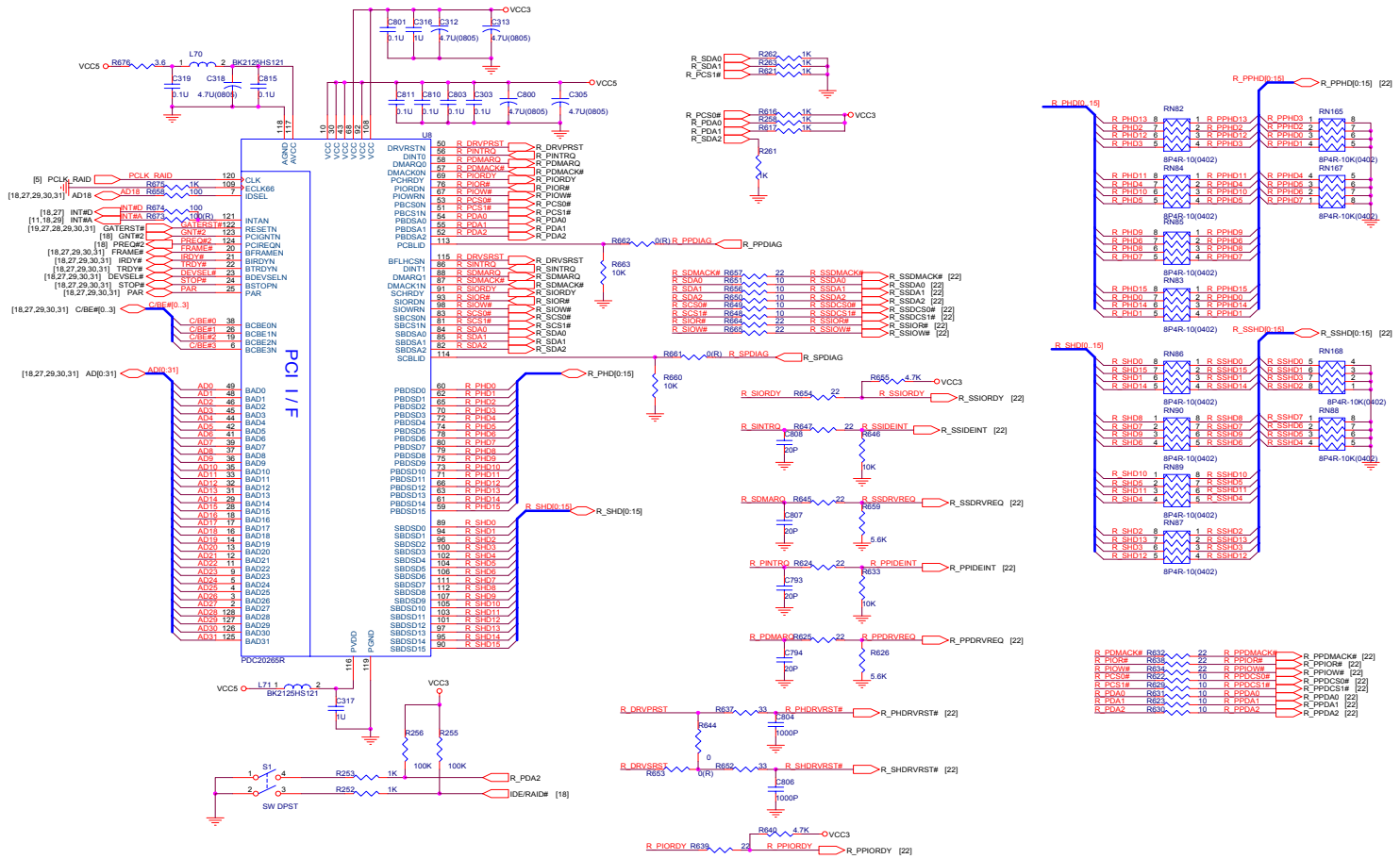


Sheet 20 of 39
USB Port & RTC

Schematic Diags

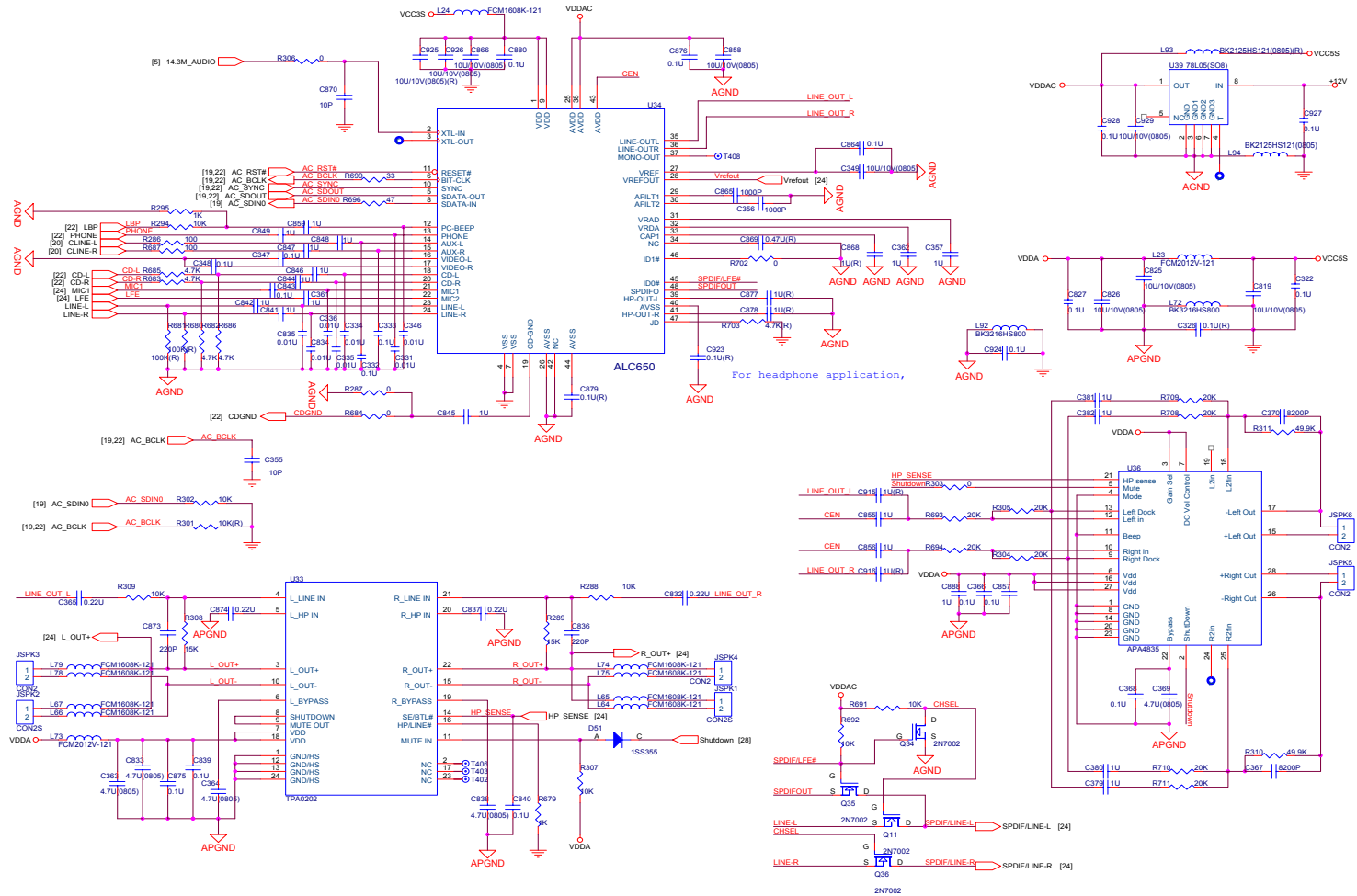
RAID PDC20265R

Sheet 21 of 39
RAID PDC20265R



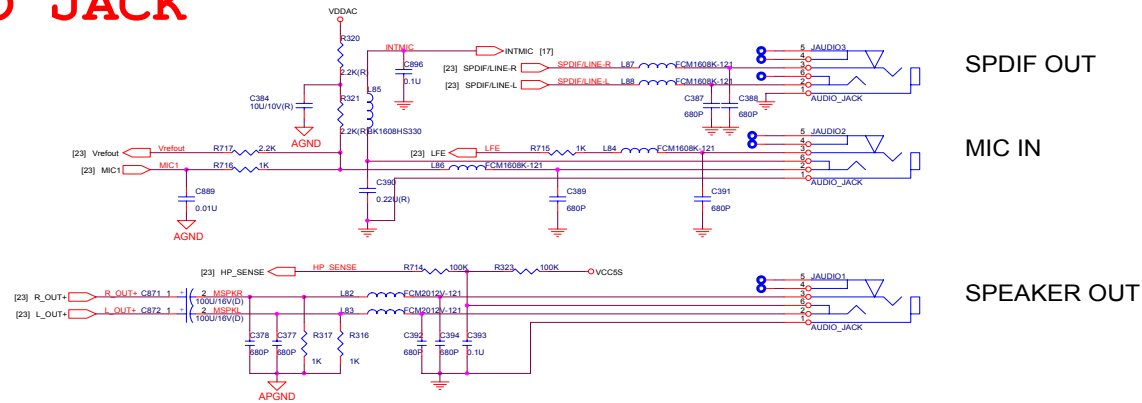
AMP TPA0202 / ALC650

Sheet 23 of 39
AMP TPA0202 /
ALC650



Audio Jack & Fan Control

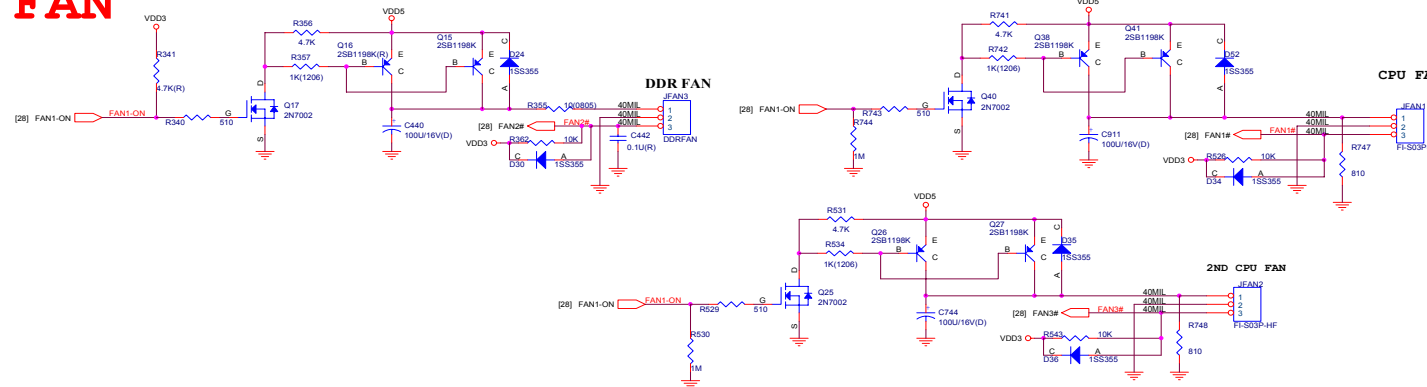
AUDIO JACK



Sheet 24 of 39
Audio Jack &
Fan Control

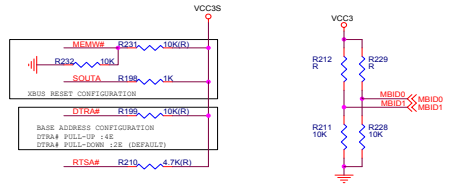
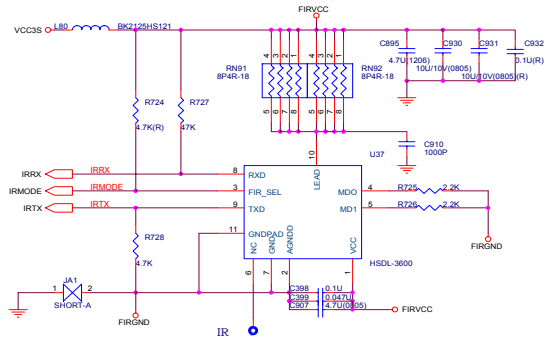
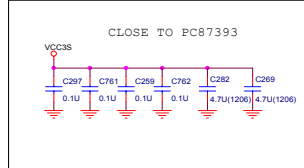
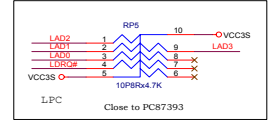
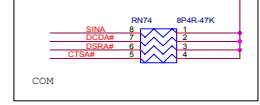
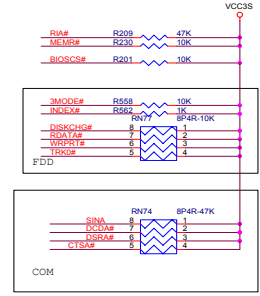
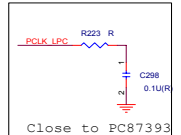
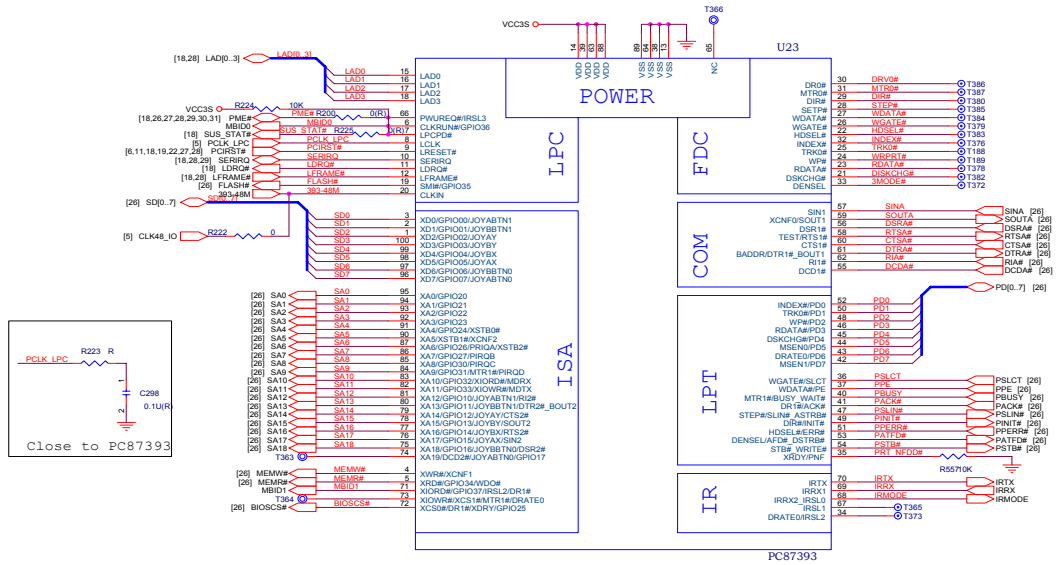
Schematic Diags

FAN



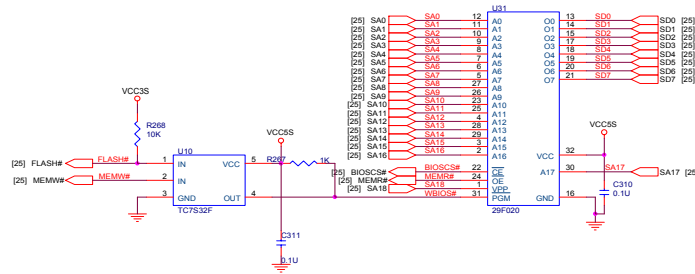
NS87393 LPC Bridge & Super I/O

Sheet 25 of 39
LPC Bridge &
Super I/O

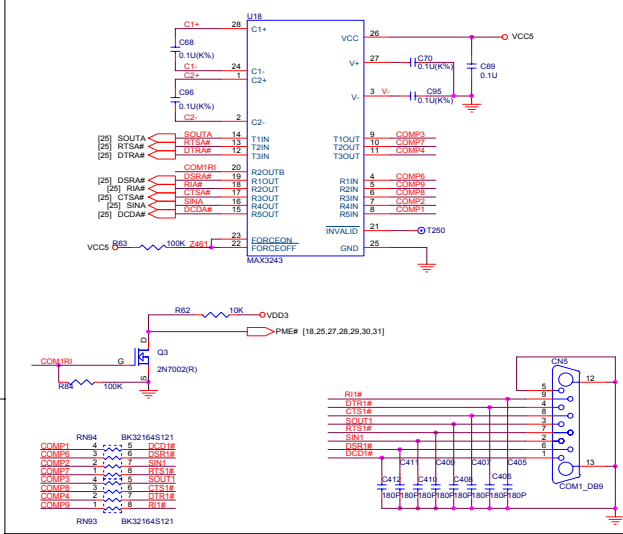


Flash ROM/LPT1

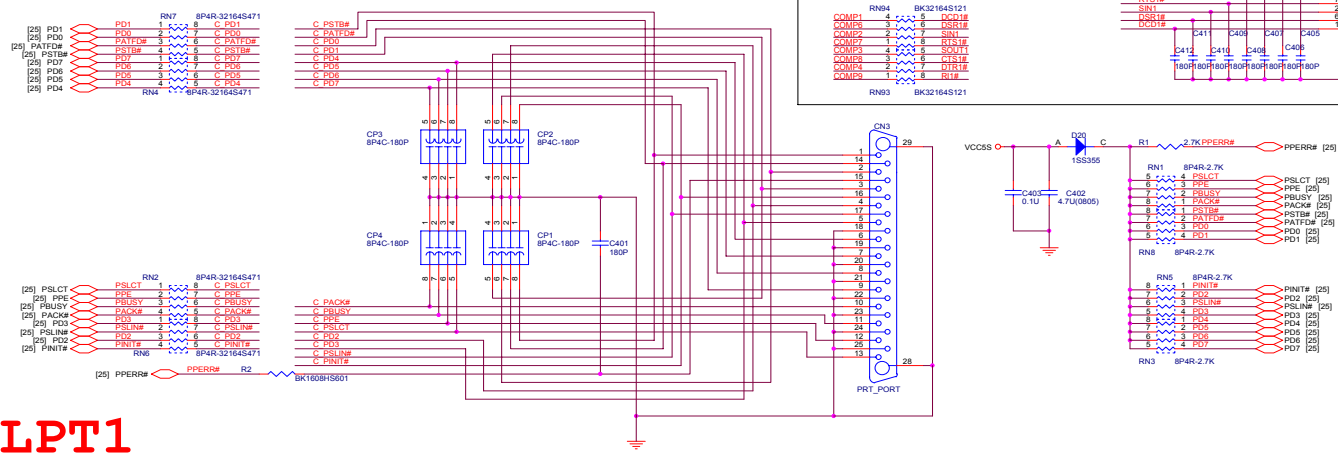
FLASH ROM



COM PORT



LPT1

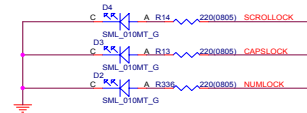
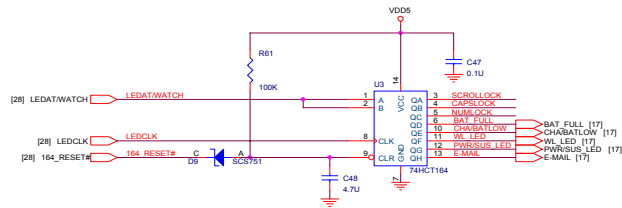


Sheet 26 of 39
Flash ROM/LPT1

Schematic Diags

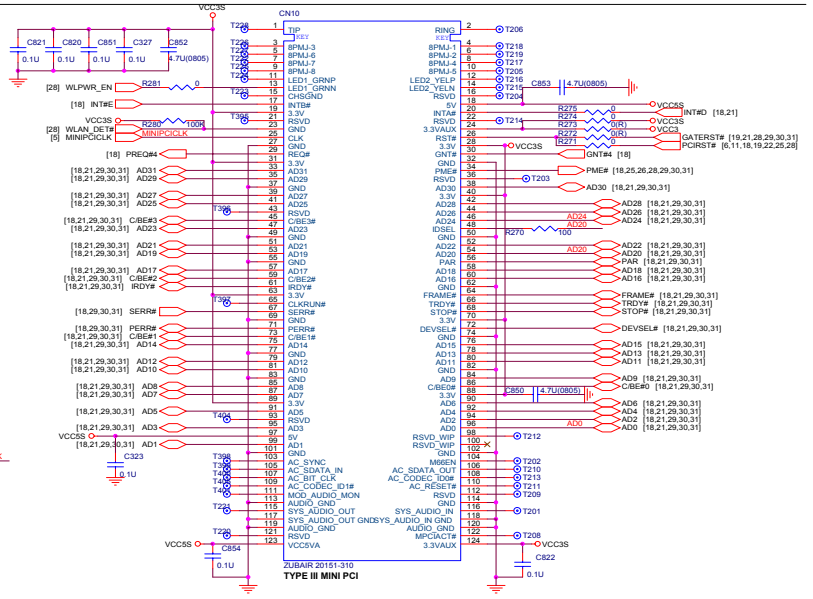
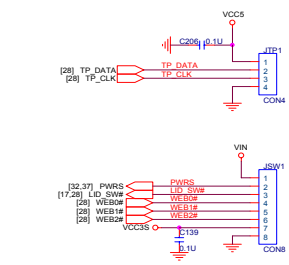
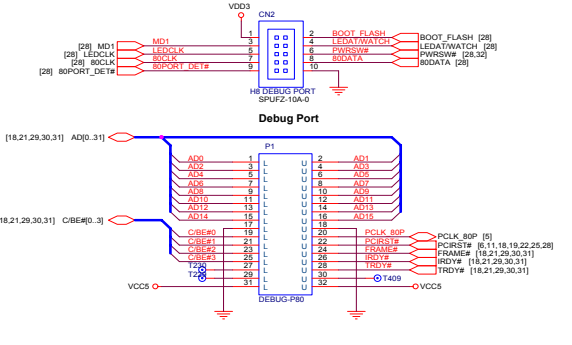
Schematic Diagrams

I/O, FDD, LED & Debug



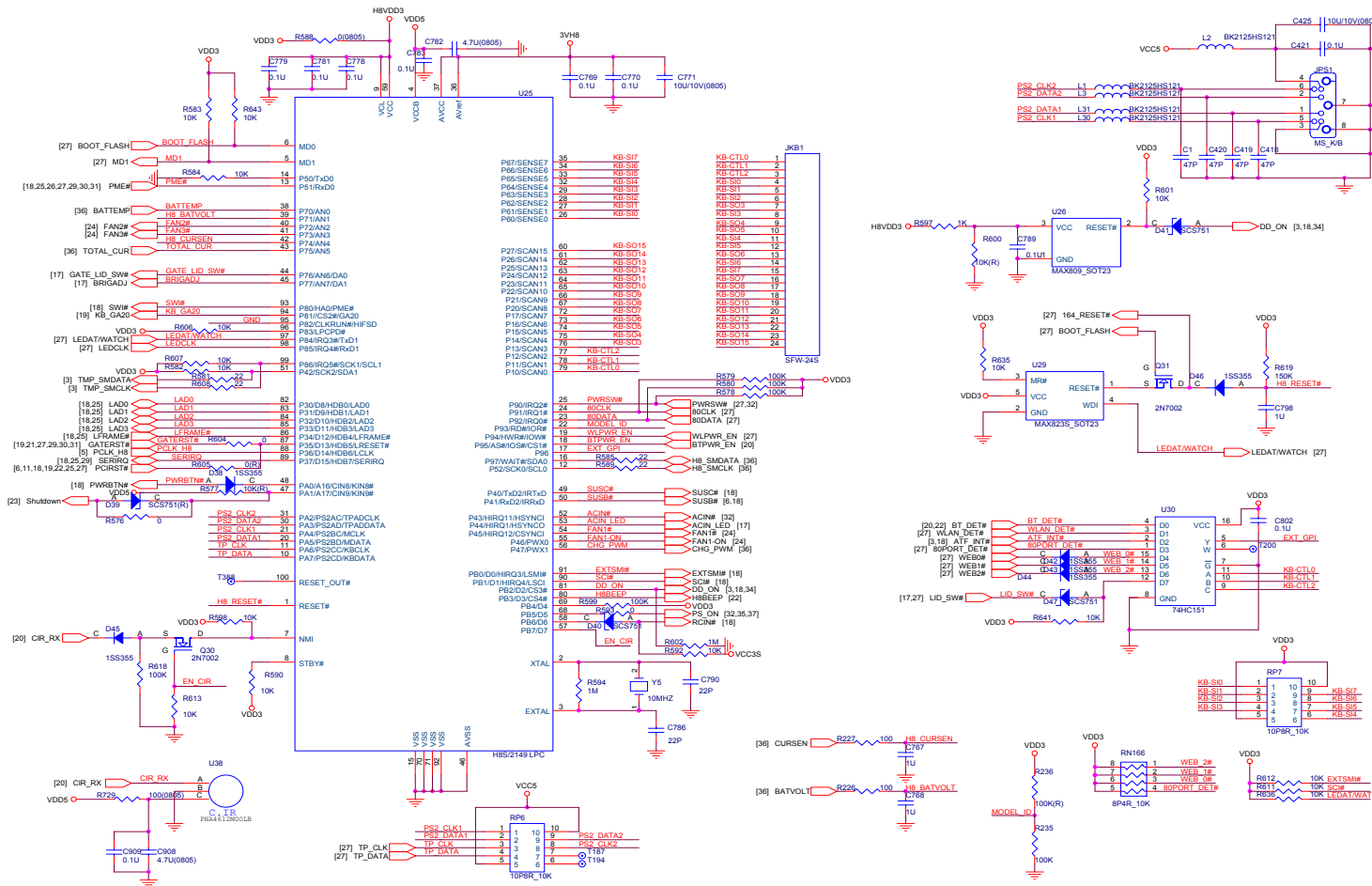
Schematic Diags

Sheet 27 of 39
I/O, FDD, LED & Debug



MINI PCI

KBC H8

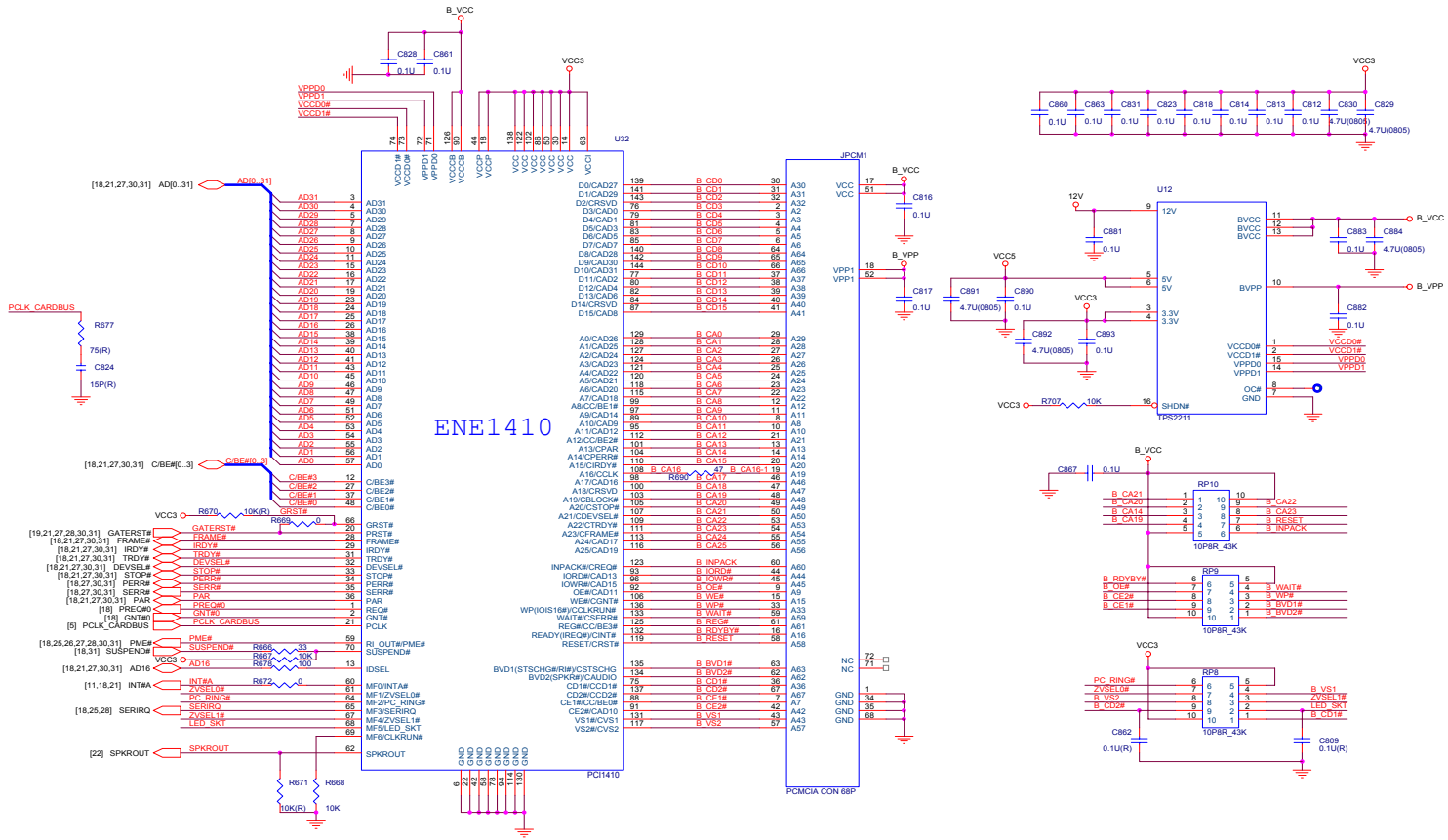


Sheet 28 of 39
KBC H8

Schematic Diags

PCMCIA ENE1410

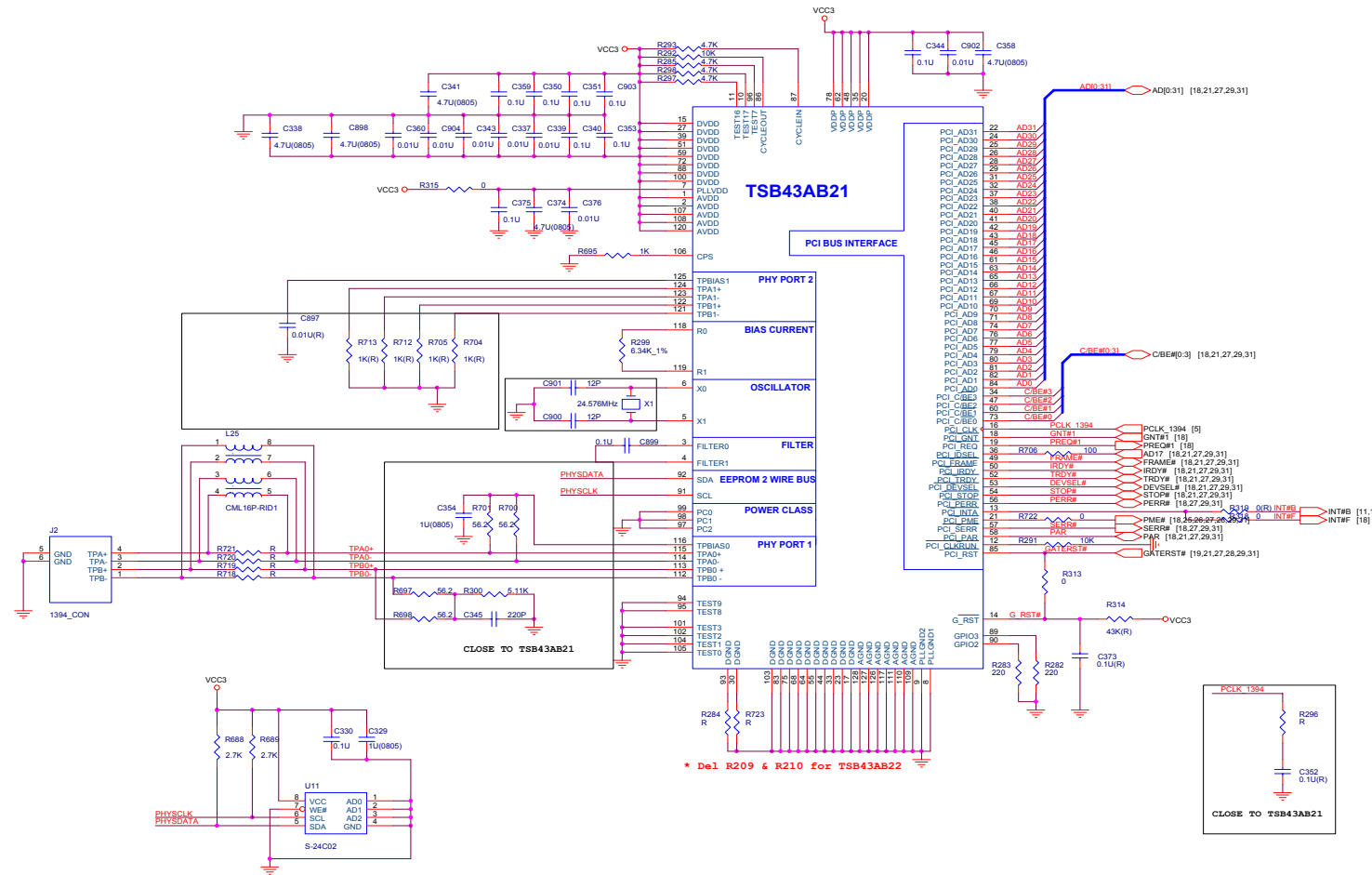
Sheet 29 of 39
PCMCIA ENE1410



IEEE 1394 TSB43AB21

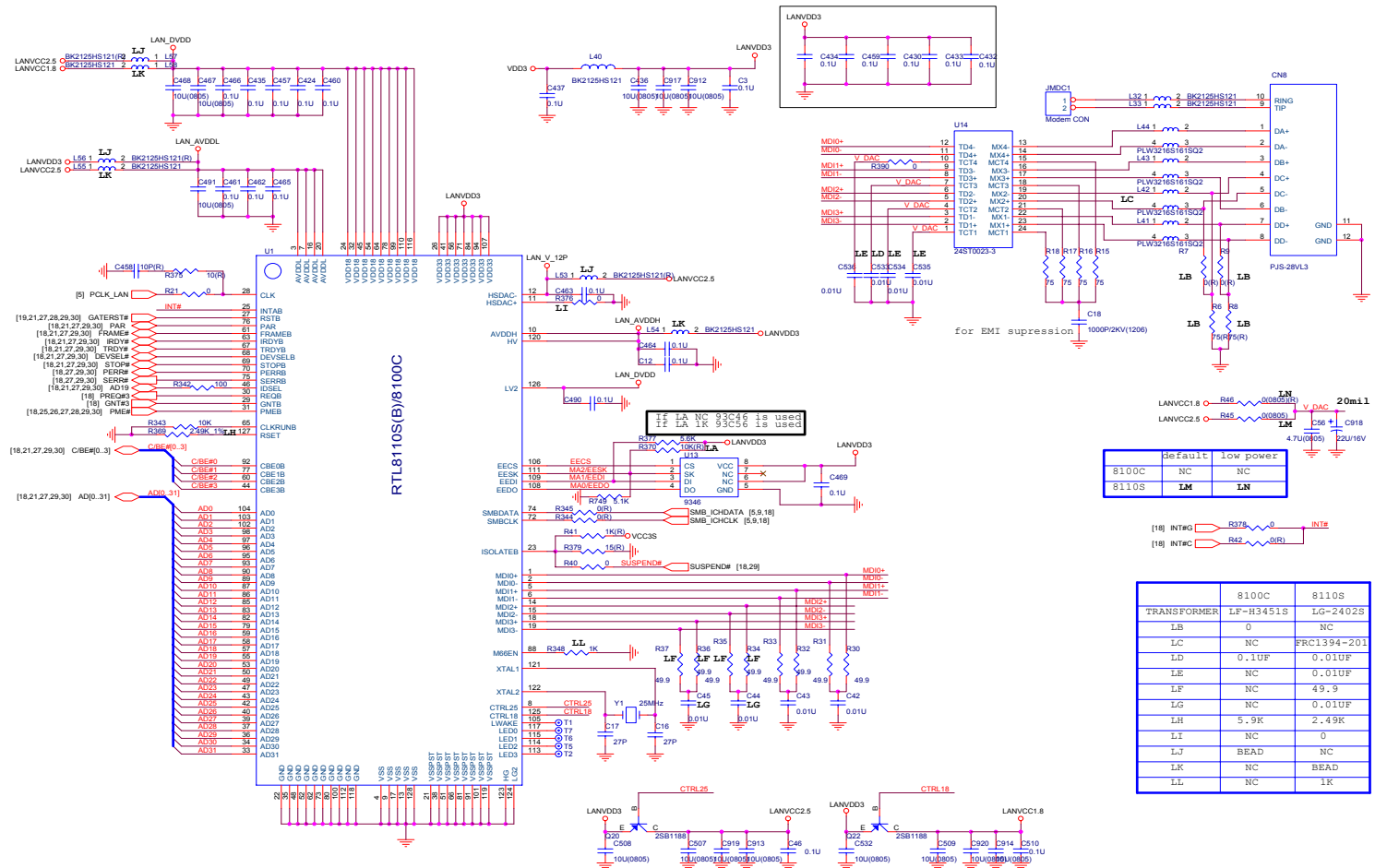
Sheet 30 of 39
IEEE1394
TSB43AB21

Schematic Diagrams

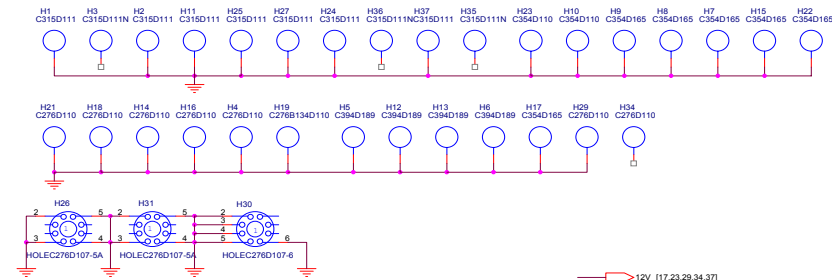
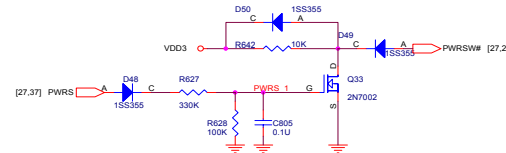
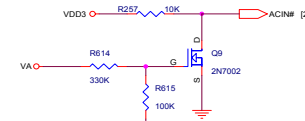
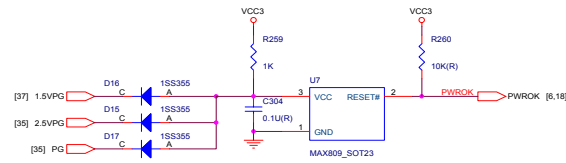
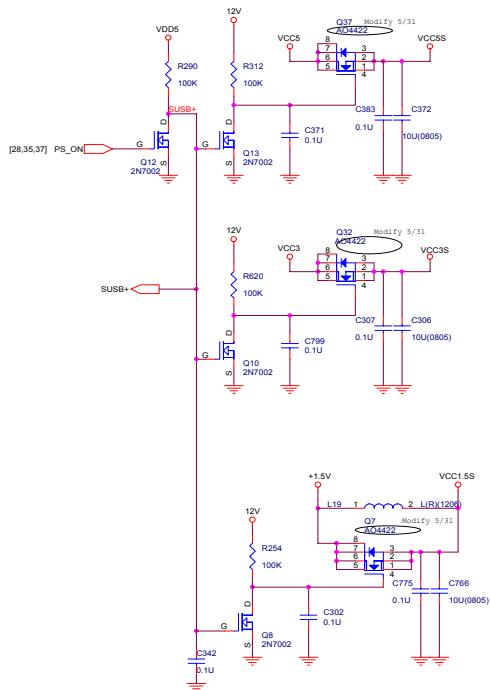


LAN RTL8100C/RTL8110S(B)-32

Sheet 31 of 39
LAN RTL8100C/
RTL8110S(B)-32



Power Plane



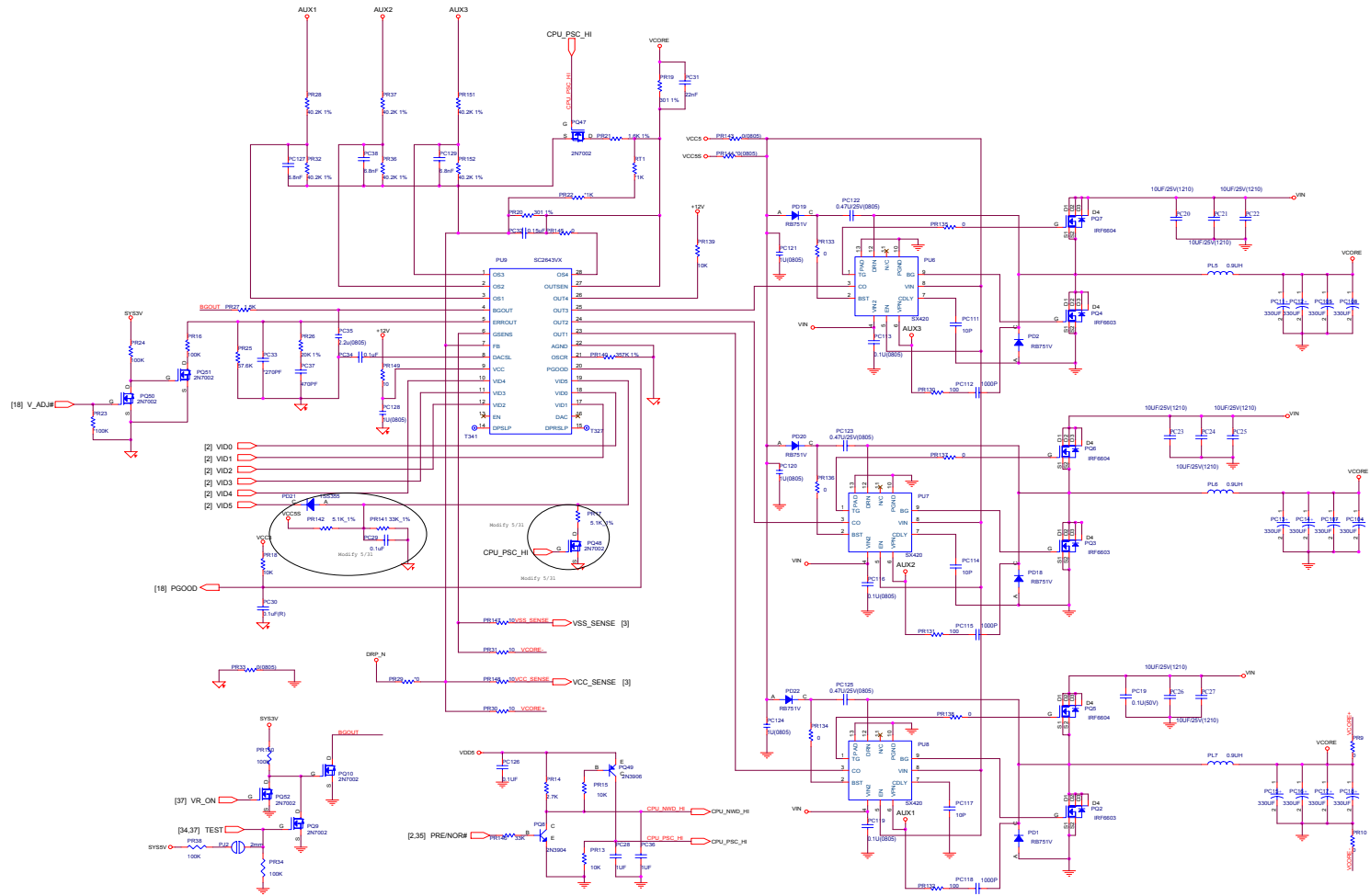
- 12V [17,23,29,34,37]
- VCCORE [2,3,4,5,18,19,33]
- VCC1.5S [6,10,16,19]
- VCC3 [8,18,19,20,21,22,25,27,29,30,33,34,35,36,37]
- VCC3S [2,5,9,10,11,12,16,17,18,19,20,22,25,28,27,28,31,37]
- VCC5 [17,20,21,22,26,27,28,29,33,34,36,37]
- VCC5S [17,18,19,22,23,24,26,27,33,37]

Sheet 32 of 39
Power Plane

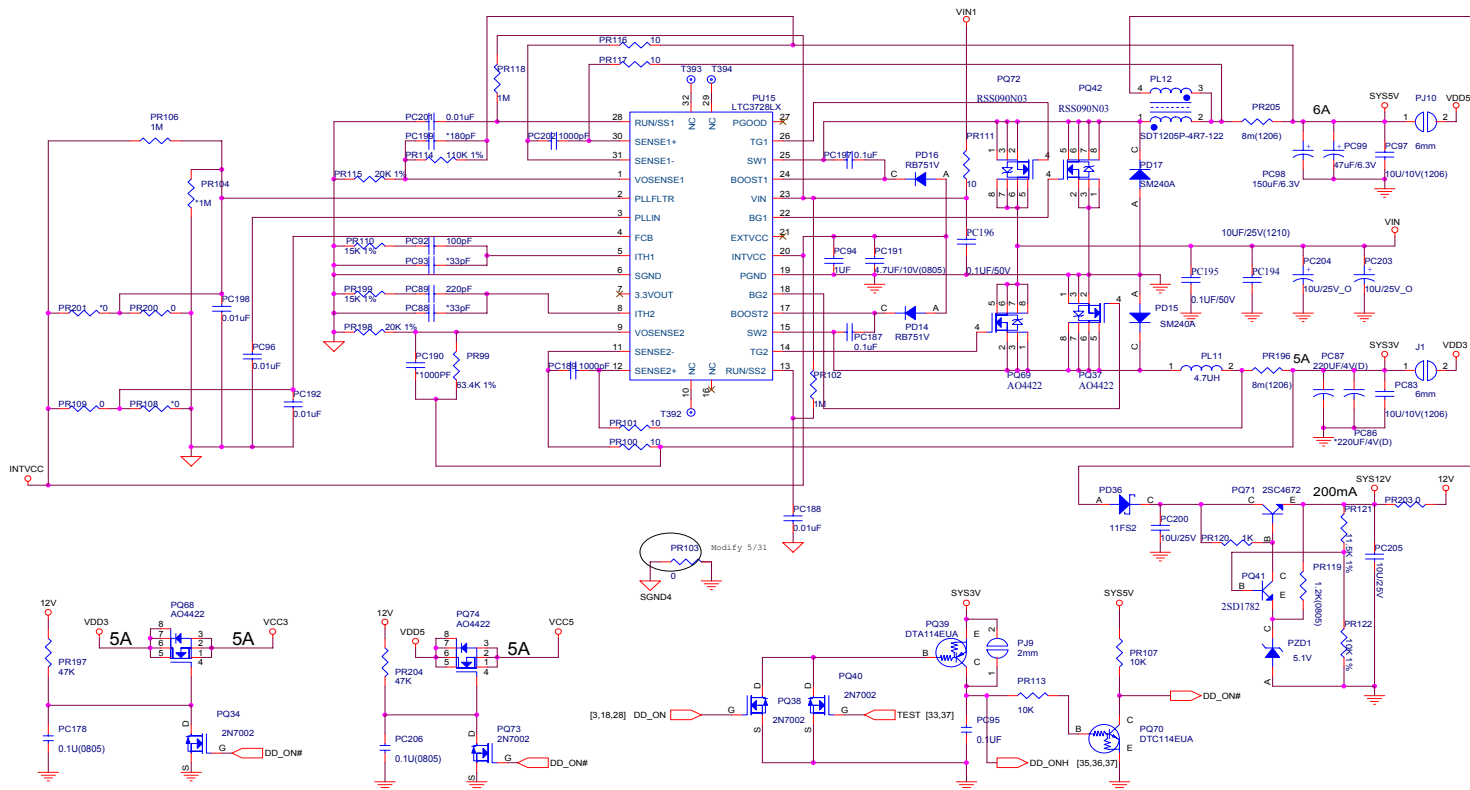
Schematic Diags

Vcore

Sheet 33 of 39
Vcore



System Power 1

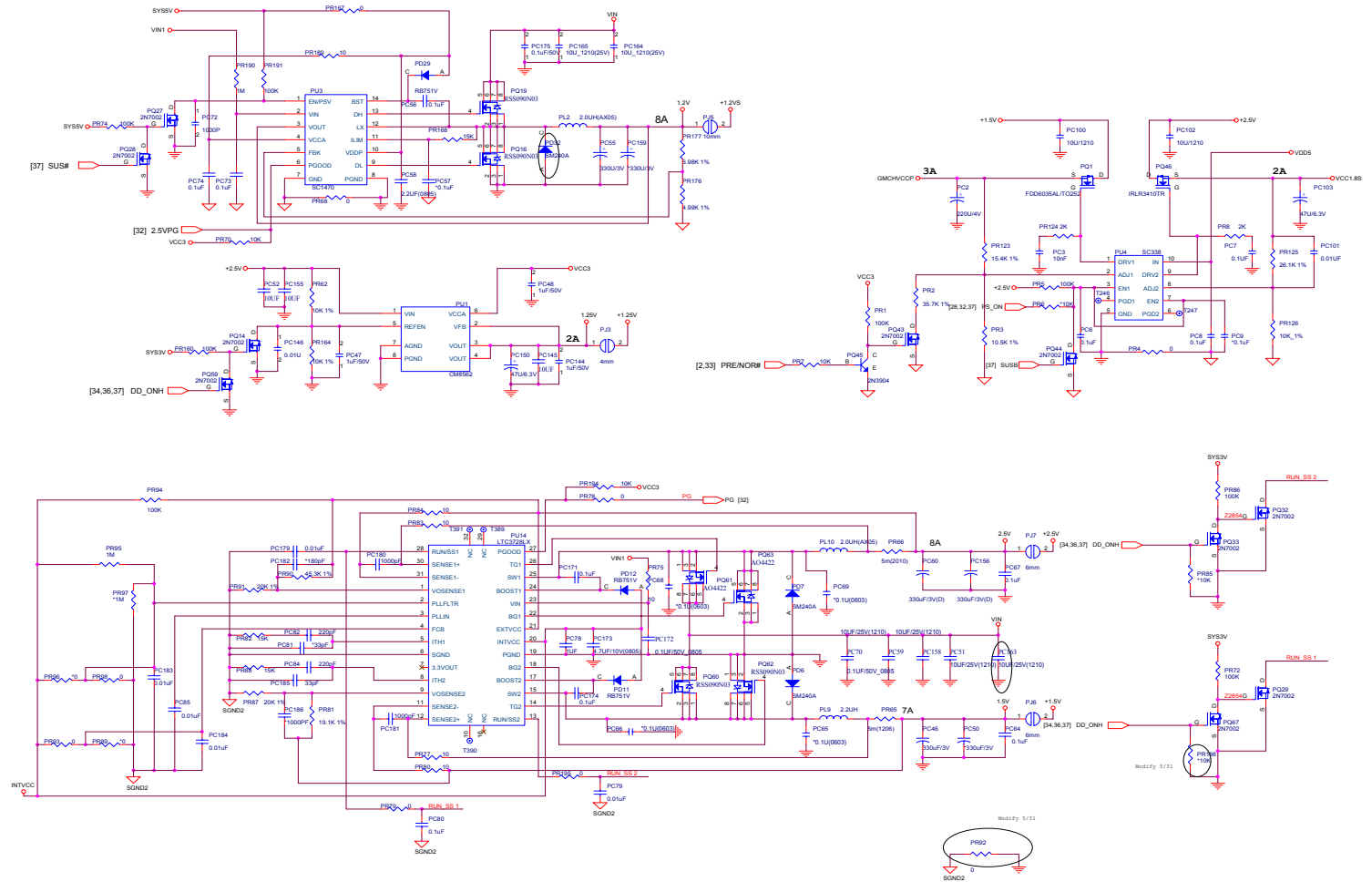


Sheet 34 of 39
System Power 1

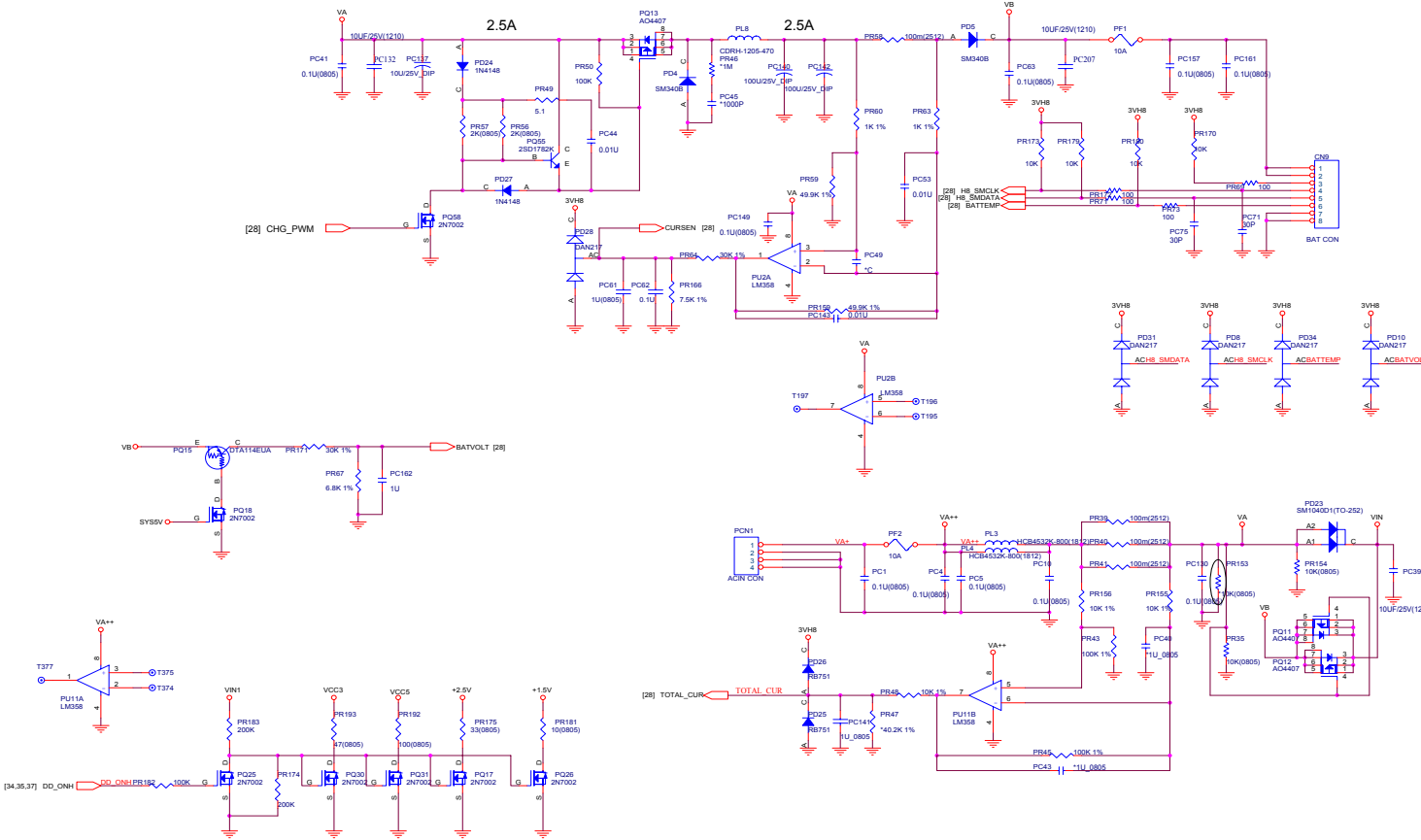
Schematic Diags

System Power 2

Sheet 35 of 39
System Power 2



Charger

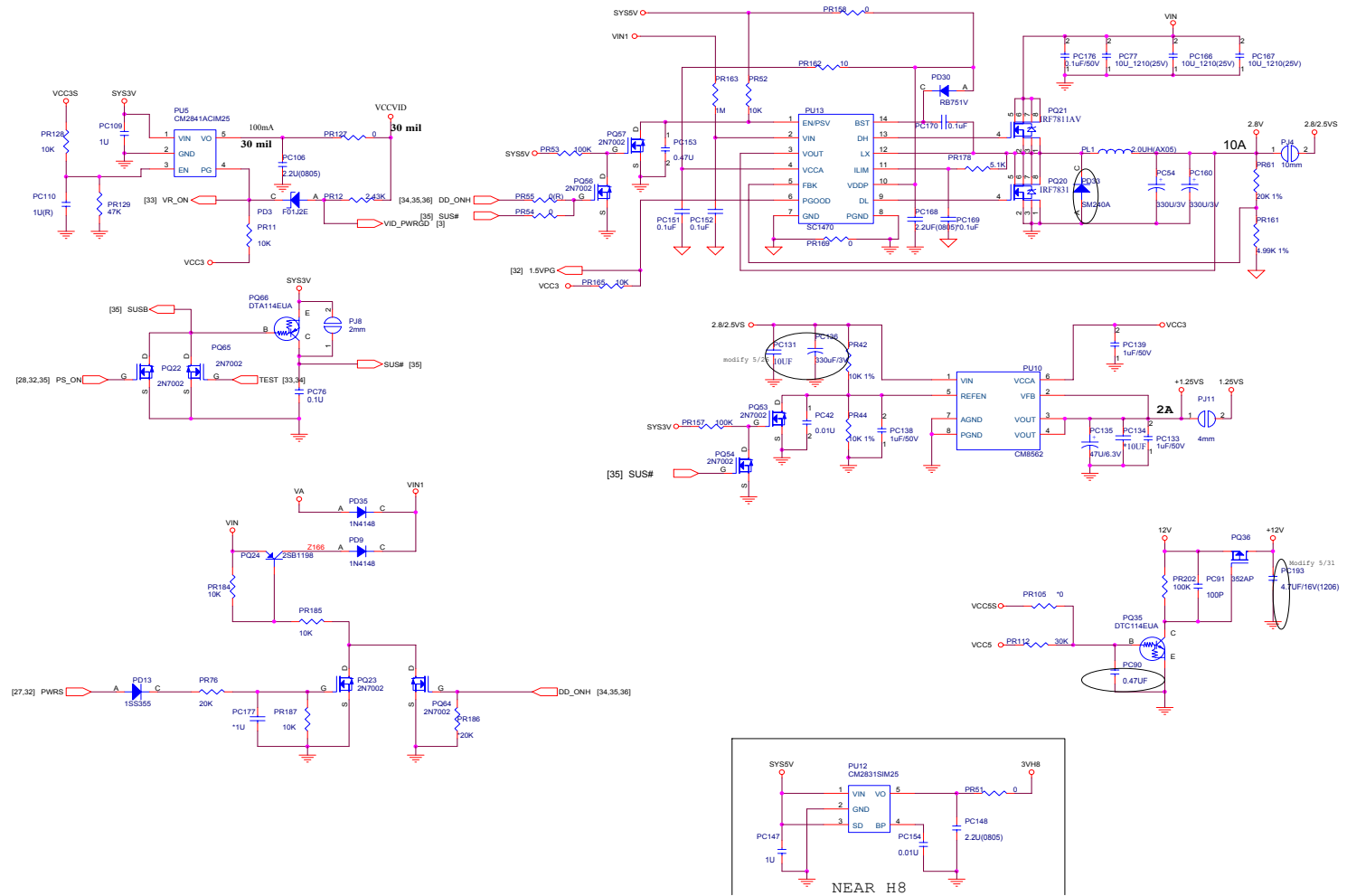


Sheet 36 of 39
Charger

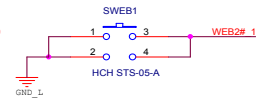
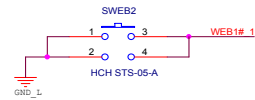
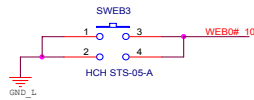
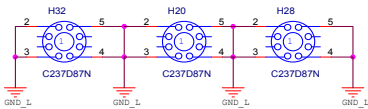
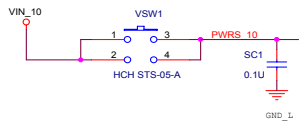
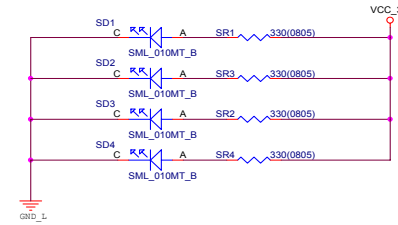
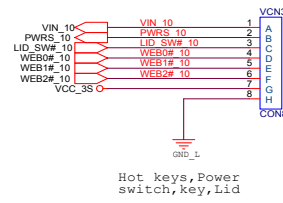
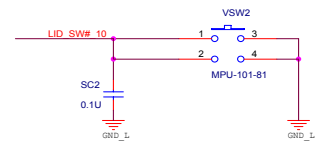
Schematic Diags

3VH8, VDD1.8

Sheet 37 of 39
3VH8, VDD1.8



S/W Board & Hot-Key



Sheet 38 of 39
S/W Board &
Hot-Key

TouchPad Switchboard

Sheet 39 of 39
TouchPad
Switchboard

