

### Features

- Operating voltage: 2.0V~6.0V
- Operating current < 2mA at 3.0V, No load
- Standby current  $I_{VDD} < 2\mu A$ , no load
- Separate logic power supply and motor power supply
- Built-in thermal shutdown circuit
- Built-in H bridge control circuit
- Built-in spark killer diode
- Provides strong ESD (min. of 4KV) per pin
- 8-pin SOP package

### Applications

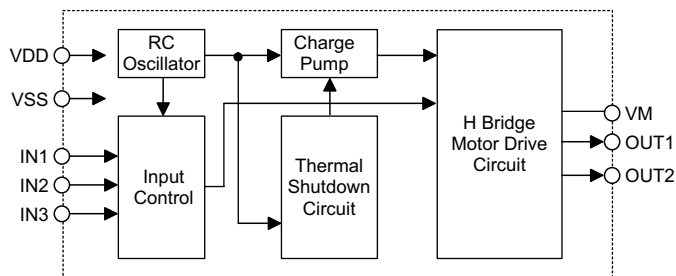
- Camera motor driver
- Toy motor driver

### General Description

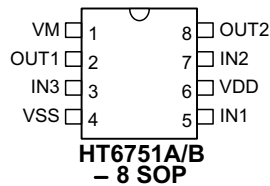
The IC can control H Bridge circuit for motor driving. It provides Spark Killer Diode/Thermal Shutdown function/Forward function/Re-

verse function/Brake function/Stop function for motor driver application. It is designed by LSI high technology with low power process.

### Block Diagram



### Pin Assignment



**Pin Description**

Pin No.	Pin Name	I/O	Description
1	VM	P	Power of motor driving circuit
2	OUT1	O	Connect to motor terminal
3	IN3	I	Input signal
4	VSS	—	Negative power supply, ground
5	IN1	I	Input signal
6	VDD	—	Positive power supply
7	IN2	I	Input signal
8	OUT2	O	Connect to motor terminal

**Absolute Maximum Ratings**

Supply Voltage ..... $V_{DD}$ -0.3V to 7.0V      Storage Temperature.....-40°C to 125°C  
Voltage to Input Terminal .....-0.3V to  $V_{DD}$ +0.3      Operating Temperature .....-20°C to 85°C  
Junction Temperature .....150°C

Note: These are stress ratings only. Stresses exceeding the range specified under "Absolute Maximum Ratings" may cause substantial damage to the device. Functional operation of this device at other conditions beyond those listed in the specification is not implied and prolonged exposure to extreme conditions may affect device reliability.

**Electrical Characteristics**
 $T_a=25^{\circ}\text{C}$ 

Symbol	Parameter	Test Conditions		Min.	Typ.	Max.	Unit
		$V_{DD}$	Conditions				
$V_{DD}$	Operating Voltage 1	—	—	2.0	—	6.0	V
VM	Operating Voltage 2	—	Motor loading	1.8	—	6.0	V
$I_{VM}$	$V_M$ Current	5V	Standby mode with internal pump	—	—	10	$\mu\text{A}$
$I_{OPR}$	Operating Current	5V	No load @ $V_{DD}=5\text{V}$	—	—	2	mA
$I_{VDD}$	Standby Current	5V	Standby mode	—	1	2	$\mu\text{A}$
$I_{IL}$	Input Leakage Current	5V	$0 < V_{in} < V_{DD}$	-1.0	—	1.0	$\mu\text{A}$
$V_{IL}$	Input Low Voltage	5V	—	-0.3	—	$0.3V_{DD}$	V
$V_{IH}$	Input High Voltage	5V	—	$0.6V_{DD}$	—	$V_{DD}+0.3$	V
$R_{ON}$	H Bridge On Resistance	3V	(up_NMOS+down_NMOS) at 3V	—	—	0.4	$\Omega$

Symbol	Parameter	Test Conditions		Min.	Typ.	Max.	Unit
		V <sub>DD</sub>	Conditions				
t <sub>CP_ON</sub>	Charge Pump Turn On Time	5V	V <sub>DD</sub> =V <sub>M</sub> =5V, I <sub>vm</sub> =0.5A	—	—	2	ms
t <sub>CP_OFF</sub>	Charge Pump Turn Off Time	5V	V <sub>DD</sub> =V <sub>M</sub> =5V, I <sub>vm</sub> =0.5A	—	—	1	ms
t <sub>H_ON</sub>	H Bridge Turn On Time	5V	V <sub>DD</sub> =V <sub>M</sub> =5V, I <sub>vm</sub> =0.5A	—	—	10	μs
t <sub>H_OFF</sub>	H Bridge Turn Off Time	5V	V <sub>DD</sub> =V <sub>M</sub> =5V, I <sub>vm</sub> =0.5A	—	—	5	μs

### Functional Description

- In HT6751A function

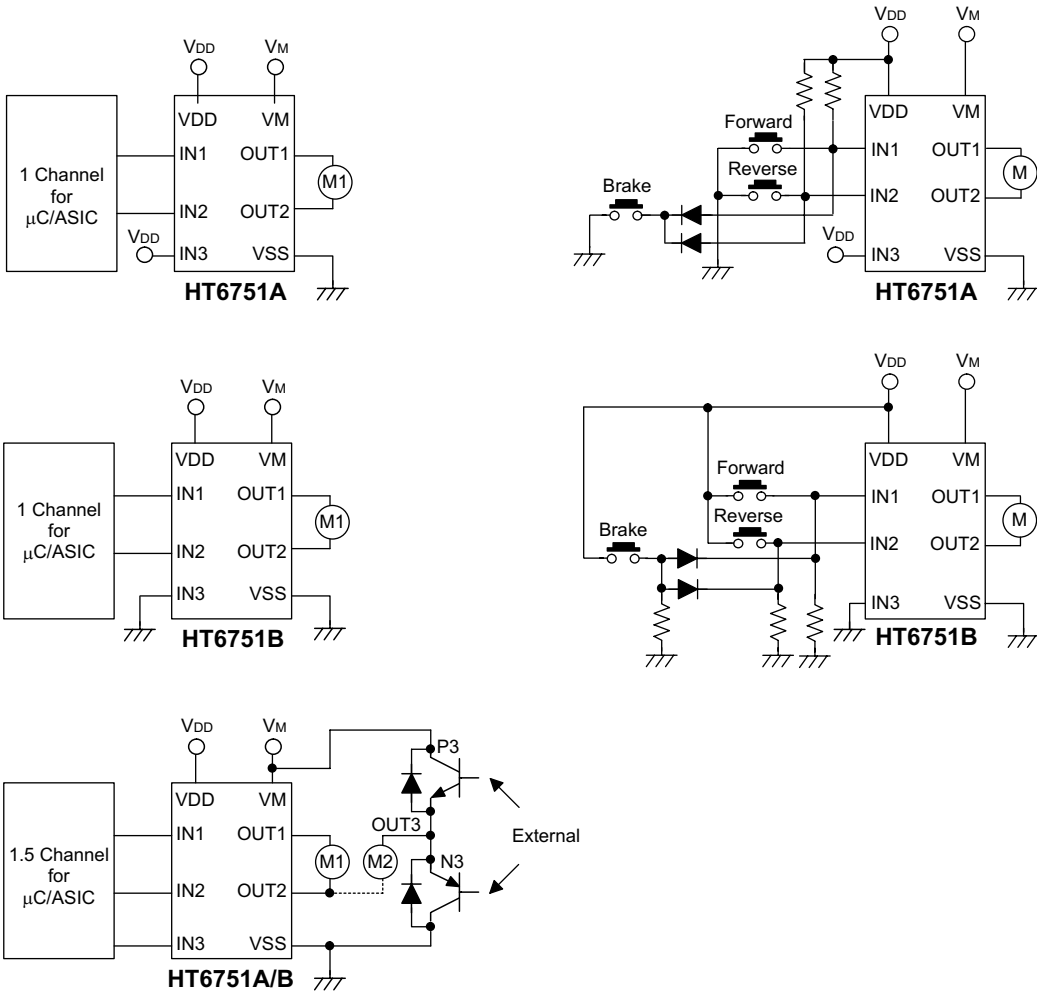
IN1	IN2	IN3	Function	MOS On	MOS Off
0	1	1	Motor1 forward	P1/N2	P2/N1
1	0	1	Motor1 reverse	P2/N1	P1/N2
0	0	1	Motor1 brake	N1/N2	P1/P2
1	1	1	Standby mode	—	P1/P2/N1/N2
0	1	0	Motor2 forward	P2/(N3)	N2/(P3)
1	0	0	Motor2 reverse	N2/(P3)	P2/(N3)
0	0	0	Motor2 brake	N2/(N3)	P2/(P3)

- In HT6751B function

IN1	IN2	IN3	Function	MOS On	Mos Off
1	0	0	Motor1 forward	P1/N2	P2/N1
0	1	0	Motor1 reverse	P2/N1	P1/N2
1	1	0	Motor1 brake	N1/N2	P1/P2
0	0	0	Standby mode	—	P1/P2/N1/N2
1	0	1	Motor2 forward	P2/(N3)	N2/(P3)
0	1	1	Motor2 reverse	N2/(P3)	P2/(N3)
1	1	1	Motor2 brake	N2/(N3)	P2/(P3)

- ♦ In normal state and standby mode
  - Charge pump circuit is in off state
  - Oscillator circuit is in off state
  - Standby current is below 2 $\mu$ A
  - For HT6751A, the oscillator circuit and charge pump circuit is on until IN1 or IN2 or IN3 is low input
  - For HT6751B, the oscillator circuit and charge pump circuit is on until IN1 or IN2 or IN3 is high input
- ♦ The system enters thermal shutdown mode (current is limited below 500mA) when the temperature of the internal sensor is greater than Junction Temperature and then release this mode until the temperature of the internal sensor below (Junction Temperature >150°C). The system can accept IN1/IN2/IN3 signal when in thermal shutdown mode.

**Application Circuits**



**Holtek Semiconductor Inc. (Headquarters)**

No.3, Creation Rd. II, Science Park, Hsinchu, Taiwan  
Tel: 886-3-563-1999  
Fax: 886-3-563-1189  
<http://www.holtek.com.tw>

**Holtek Semiconductor Inc. (Taipei Sales Office)**

4F-2, No. 3-2, YuanQu St., Nankang Software Park, Taipei 115, Taiwan  
Tel: 886-2-2655-7070  
Fax: 886-2-2655-7373  
Fax: 886-2-2655-7383 (International sales hotline)

**Holtek Semiconductor Inc. (Shanghai Sales Office)**

7th Floor, Building 2, No.889, Yi Shan Rd., Shanghai, China 200233  
Tel: 021-6485-5560  
Fax: 021-6485-0313  
<http://www.holtek.com.cn>

**Holtek Semiconductor Inc. (Shenzhen Sales Office)**

43F, SEG Plaza, Shen Nan Zhong Road, Shenzhen, China 518031  
Tel: 0755-8346-5589  
Fax: 0755-8346-5590  
ISDN: 0755-8346-5591

**Holtek Semiconductor Inc. (Beijing Sales Office)**

Suite 1721, Jinyu Tower, A129 West Xuan Wu Men Street, Xicheng District, Beijing, China 100031  
Tel: 010-6641-0030, 6641-7751, 6641-7752  
Fax: 010-6641-0125

**Holmate Semiconductor, Inc. (North America Sales Office)**

46712 Fremont Blvd., Fremont, CA 94538  
Tel: 510-252-9880  
Fax: 510-252-9885  
<http://www.holmate.com>

Copyright © 2000 by HOLTEK SEMICONDUCTOR INC.

The information appearing in this Data Sheet is believed to be accurate at the time of publication. However, Holtek assumes no responsibility arising from the use of the specifications described. The applications mentioned herein are used solely for the purpose of illustration and Holtek makes no warranty or representation that such applications will be suitable without further modification, nor recommends the use of its products for application that may present a risk to human life due to malfunction or otherwise. Holtek's products are not authorized for use as critical components in life support devices or systems. Holtek reserves the right to alter its products without prior notification. For the most up-to-date information, please visit our web site at <http://www.holtek.com.tw>.