

Service information



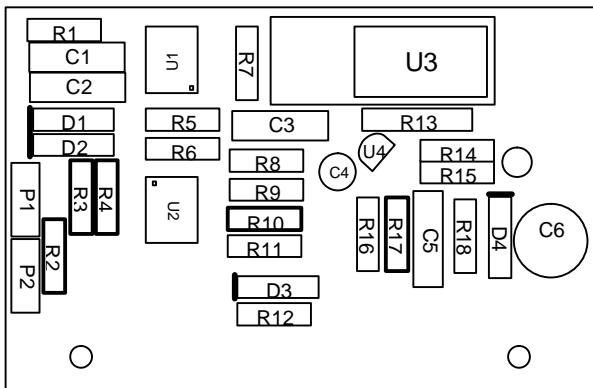
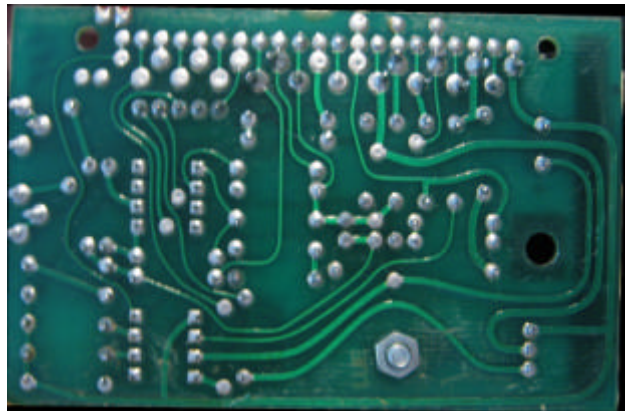
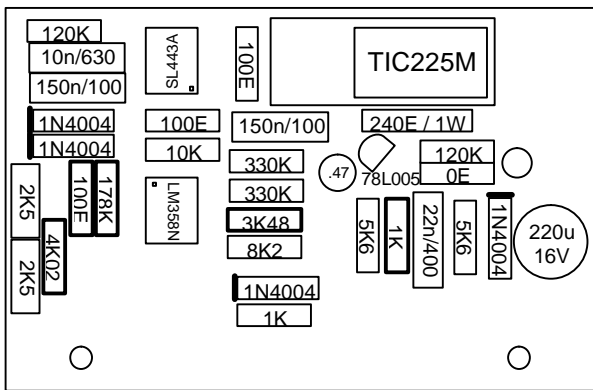
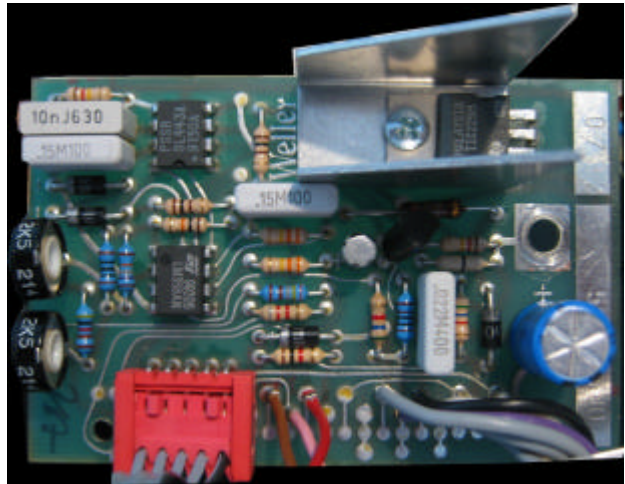
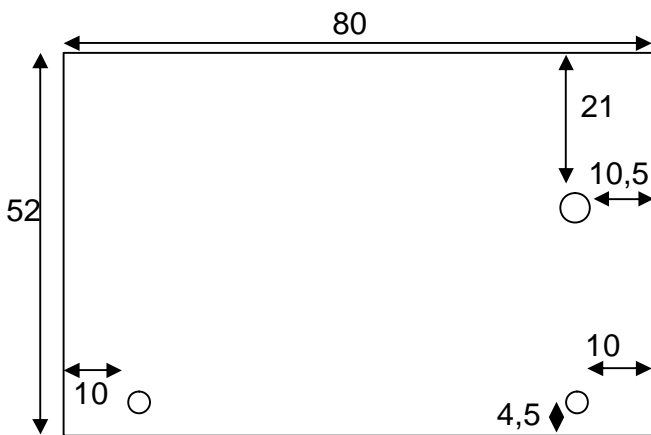
WELLER ©
EC-2002 Soldering station

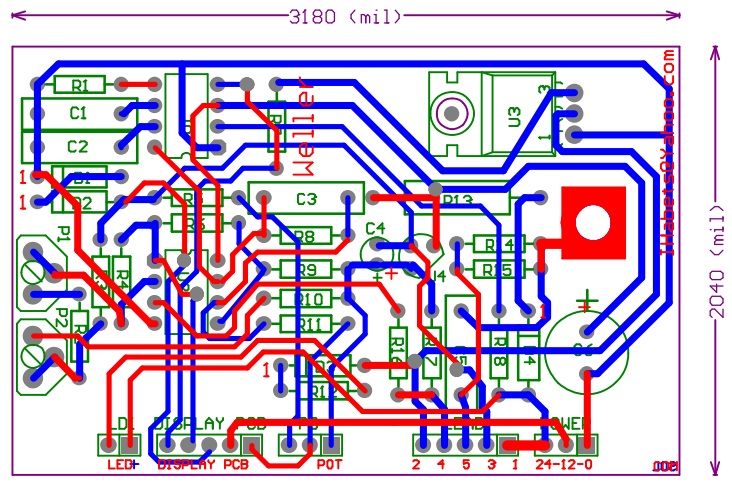
WARNING

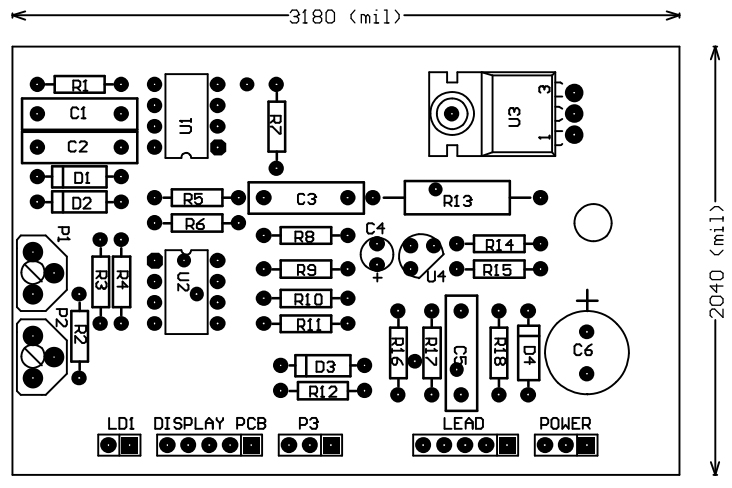
**THIS IS NOT ORIGINAL INFORMATION
FROM WELLER. THEREFORE THE
AUTHOR CAN NOT BE HELD
RESPONSIBLE FOR ANY MISTAKE.**

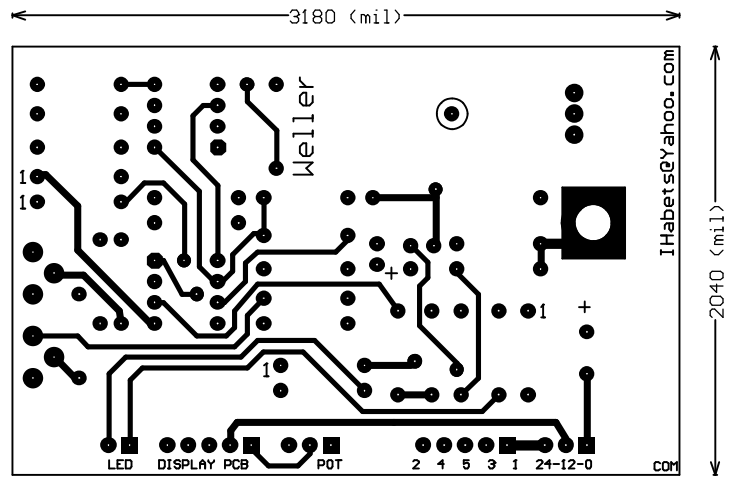
FOR INFORMATION ONLY

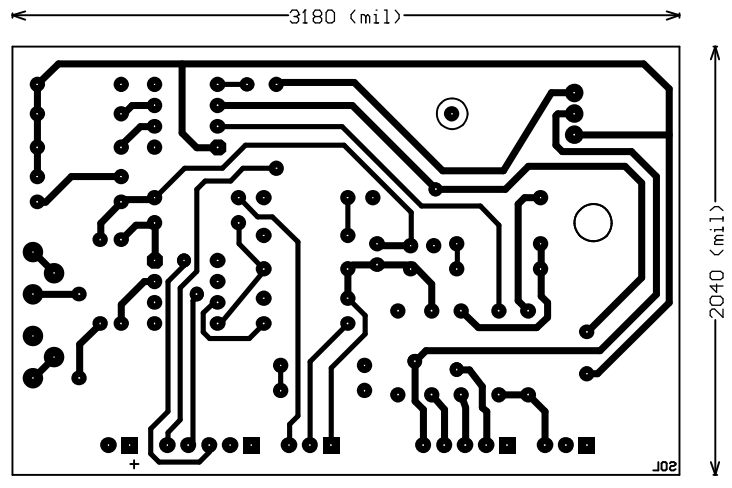
Weller EC-2002 CONTROL PCB



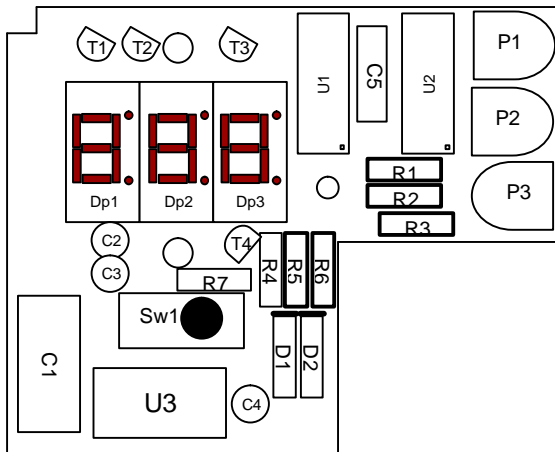
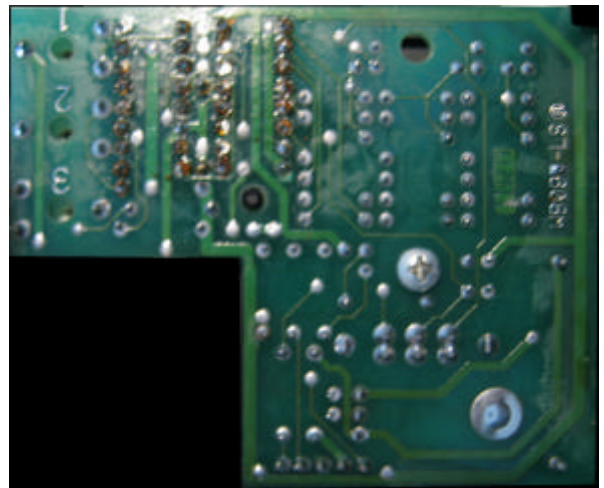
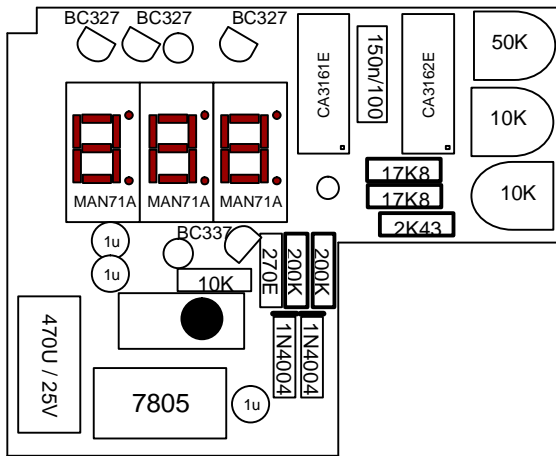
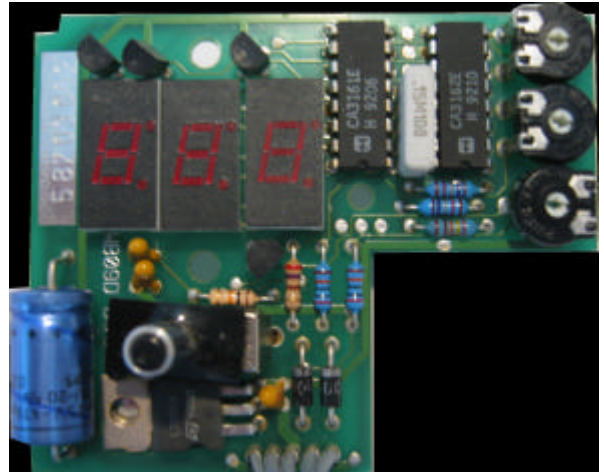
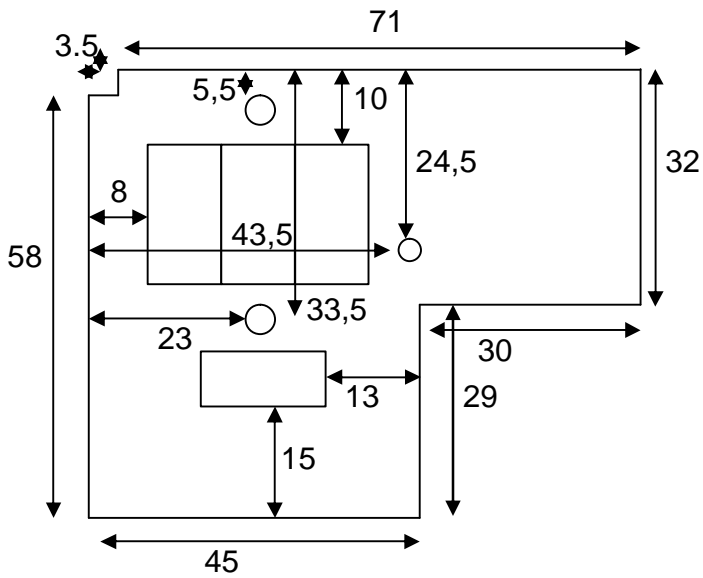




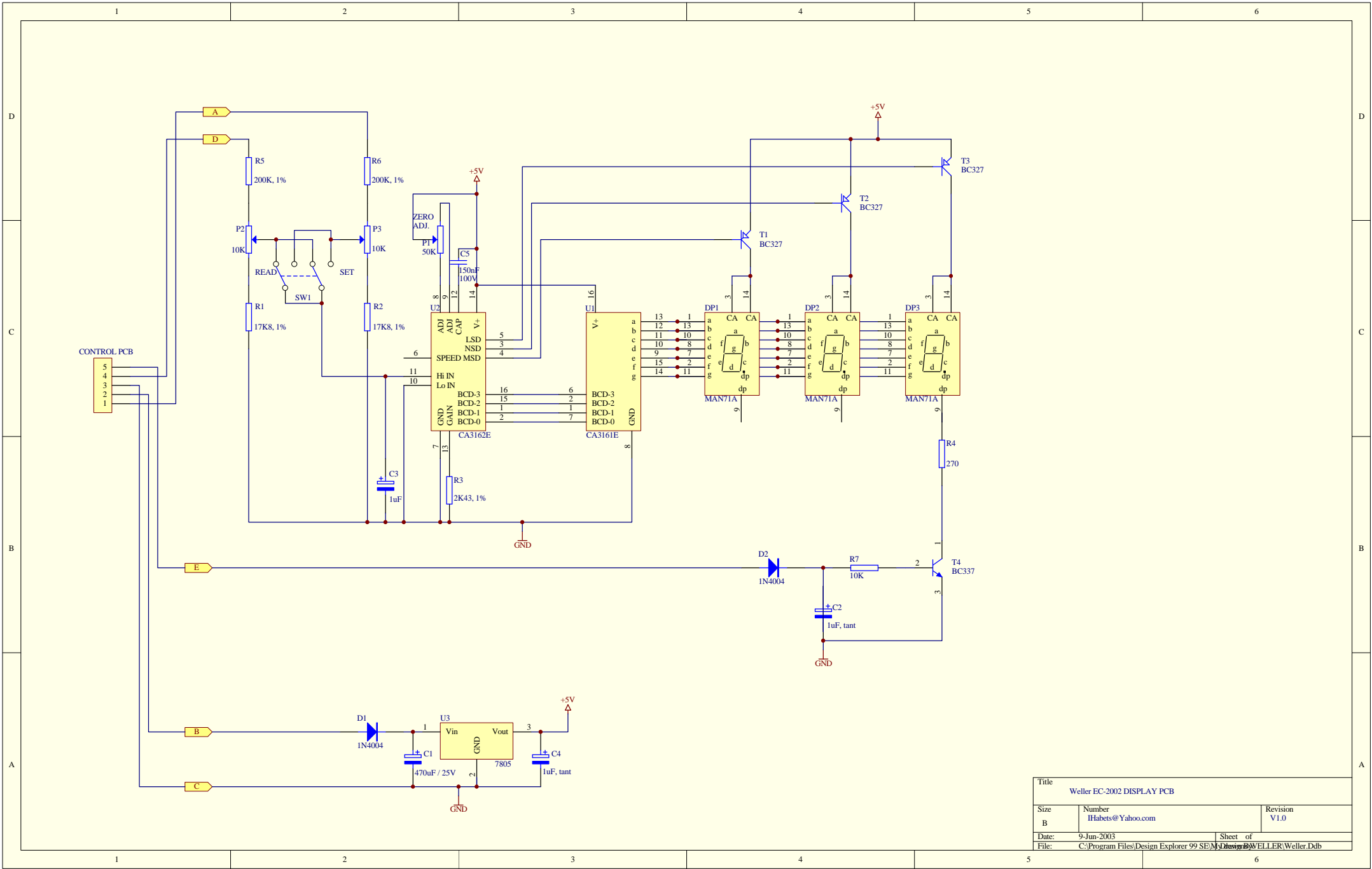




Weller EC-2002 DISPLAY PCB



587 03 802



Title Weller EC-2002 DISPLAY PCB		
Size B	Number IHabets@Yahoo.com	Revision V1.0
Date: 9-Jun-2003	Sheet of	
File: C:\Program Files\Design Explorer 99 SEM\DESIGN\WELLER\Weller.Ddb		

