

1

2

3

4

A

A

B

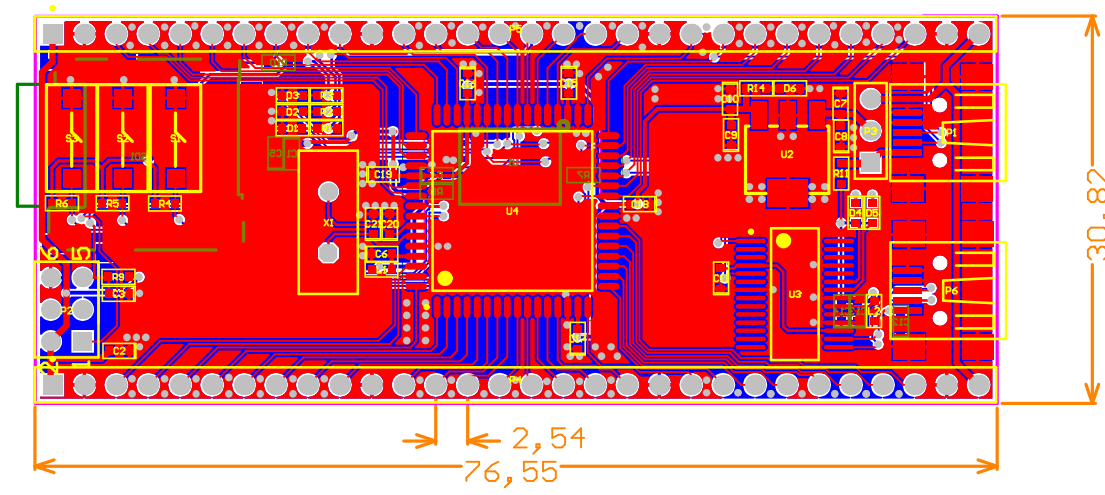
B

C

C

D

D



	ENGINEER: <b>Thomas St.</b>	TITLE: <b>Xmega A3 Stick</b>	
	PCB DESIGNER: <b>Thomas St.</b>		
	DATE: 27.12.2011	PART NO.:	REV: <b>REV 1.0</b>
	FILE NAME: XMega stick.PcbDoc	DWG NO.:	SCALE: <b>1:1</b>

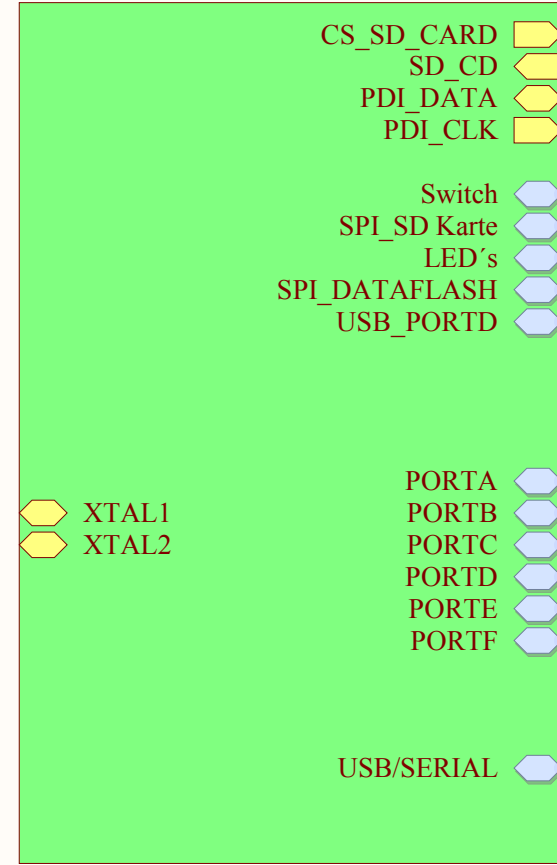
1

2

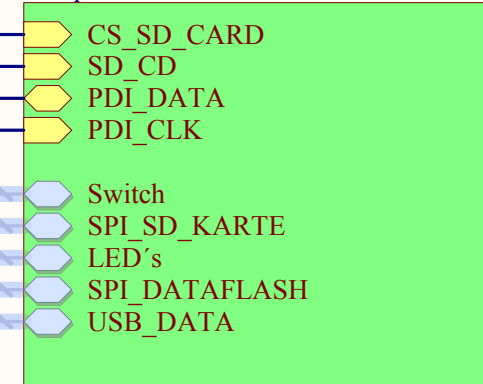
3

4

U\_XMEGA  
XMEGA.SchDoc



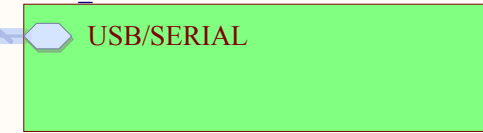
U\_Perepherie  
Perepherie.SchDoc



U\_Stick Header  
Stick Header.SchDoc



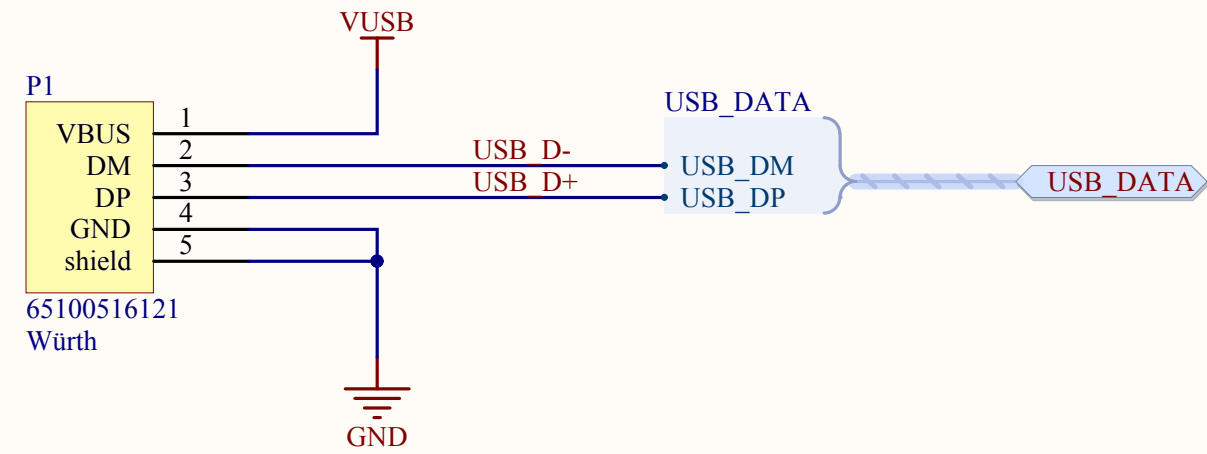
U\_USB\_UART  
USB\_UART.SchDoc



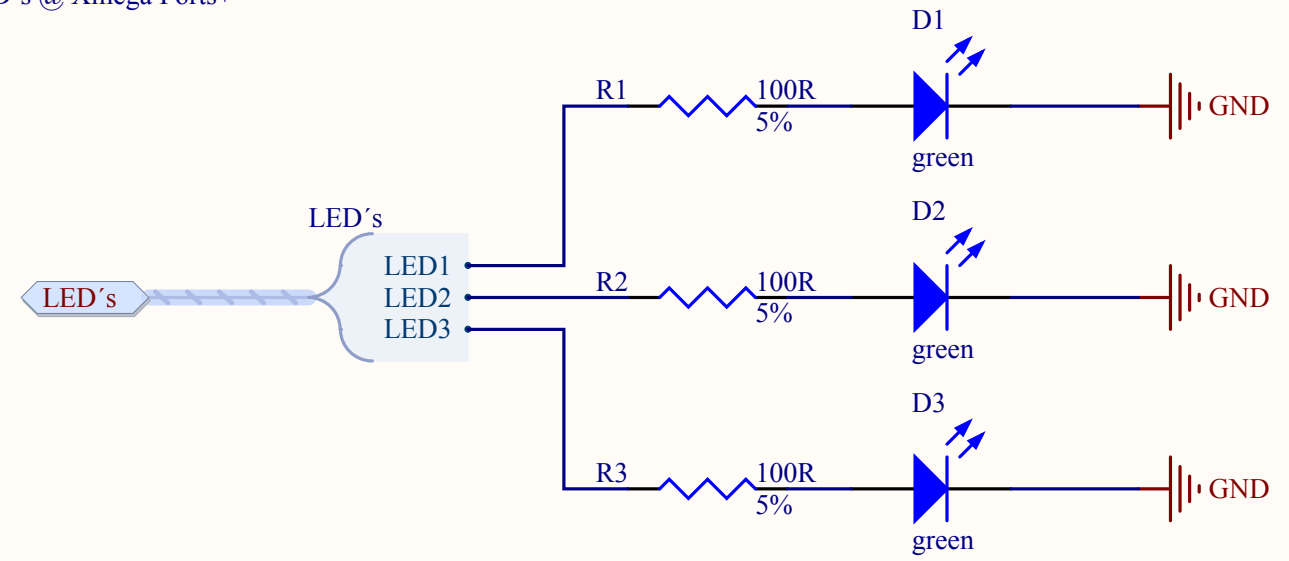
Title		
Size A4	Number	Revision
Date:	27.12.2011	Sheet of
File:	C:\Users\...\Blockschaltbild.SchDoc	Drawn By:



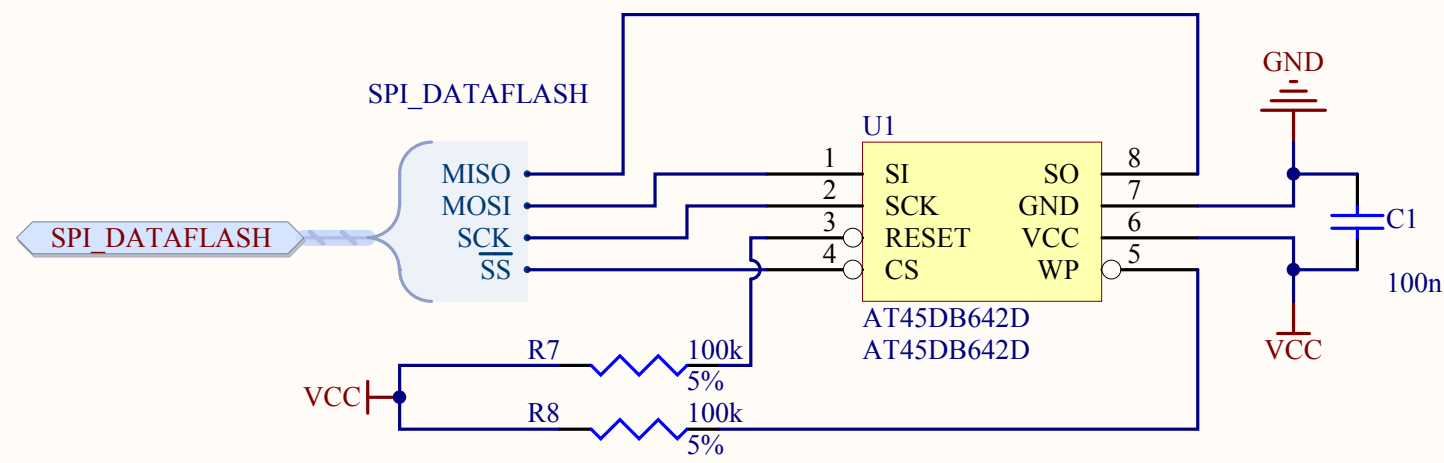
USB Connection for XMEGA



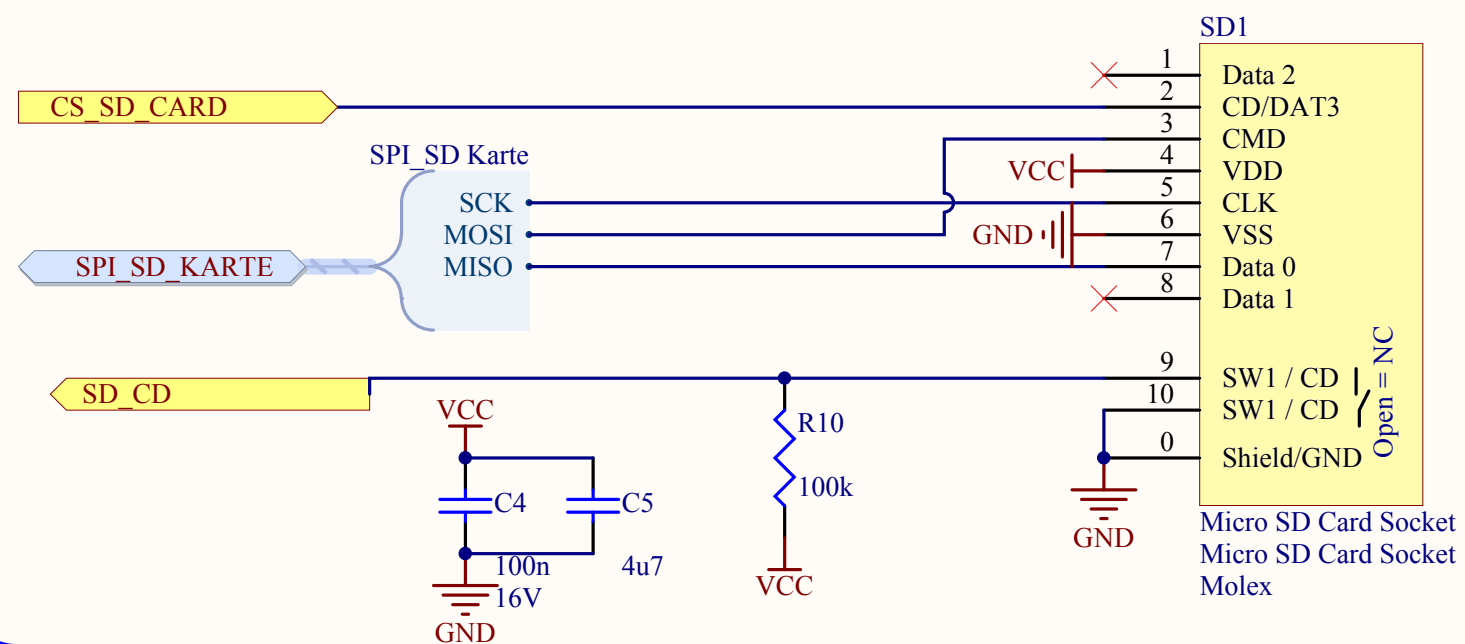
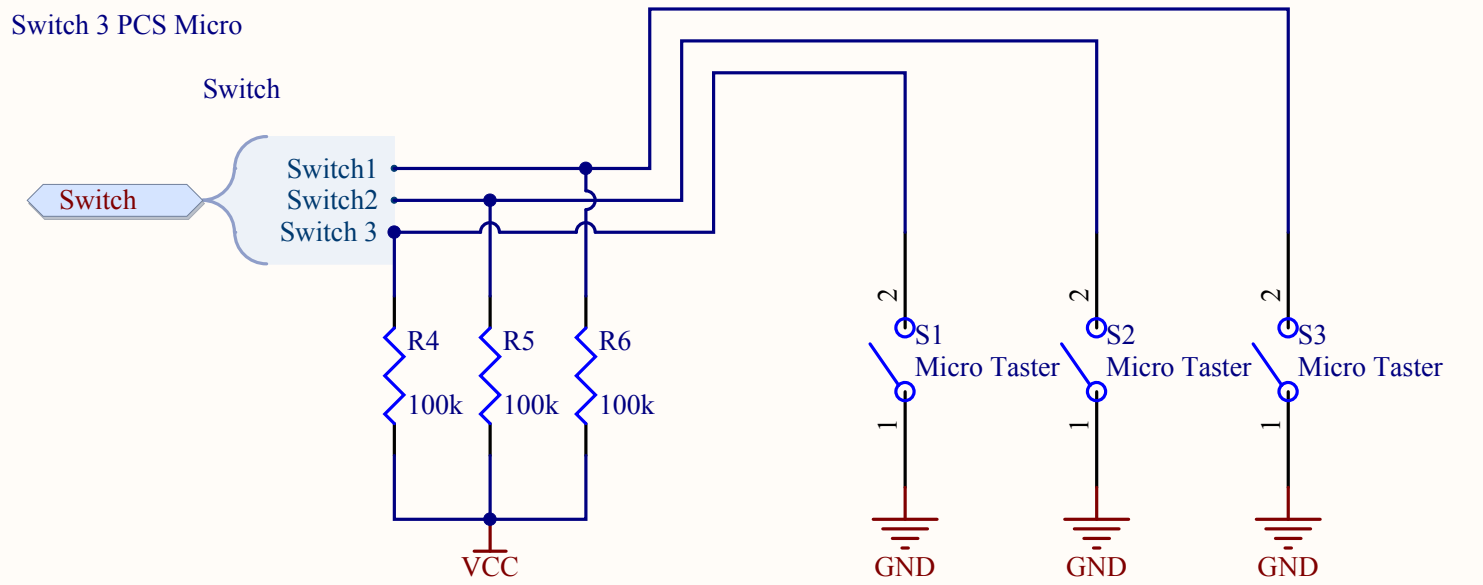
LED's @ Xmega Ports+



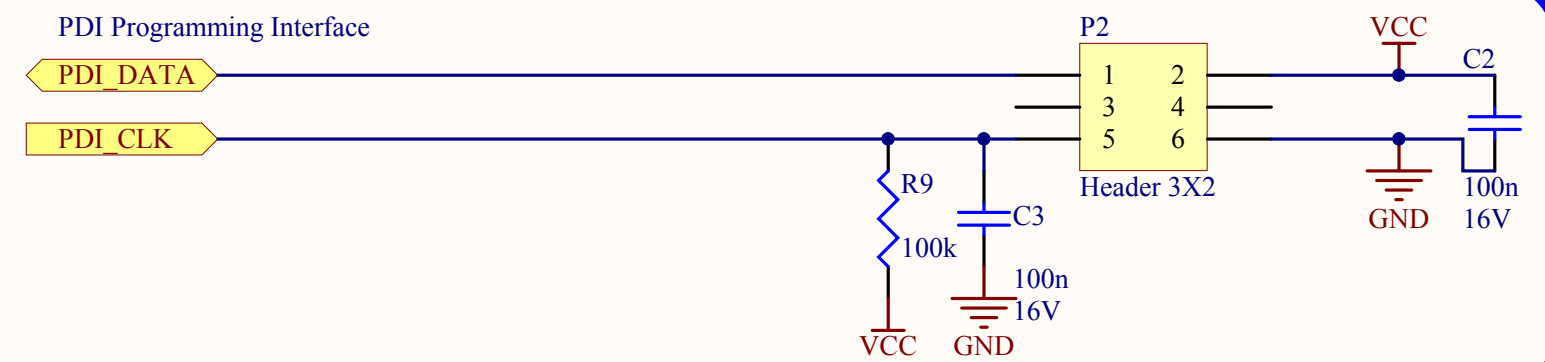
Serial Dataflash for XMEGA 64MBIT



Switch 3 PCS Micro

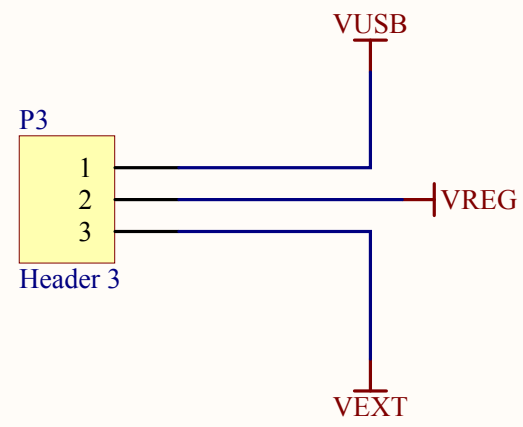


PDI Programming Interface



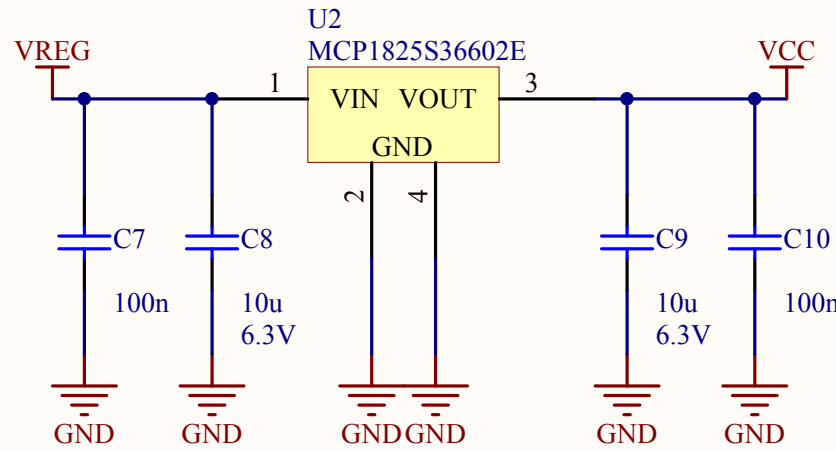
Title		
Size	Number	Revision
A4		
Date:	27.12.2011	Sheet of
File:	C:\Users\...\Perepherie.SchDoc	Drawn By:

Power Select Jumper

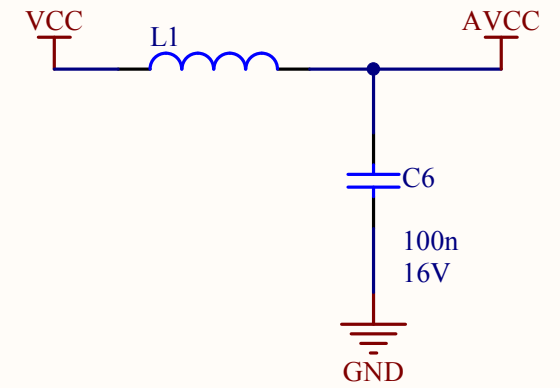


POS 1-2 = Power over USB  
 POS 2-3 = External Powerd

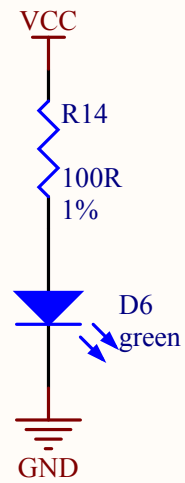
3,3V LDO for System Power



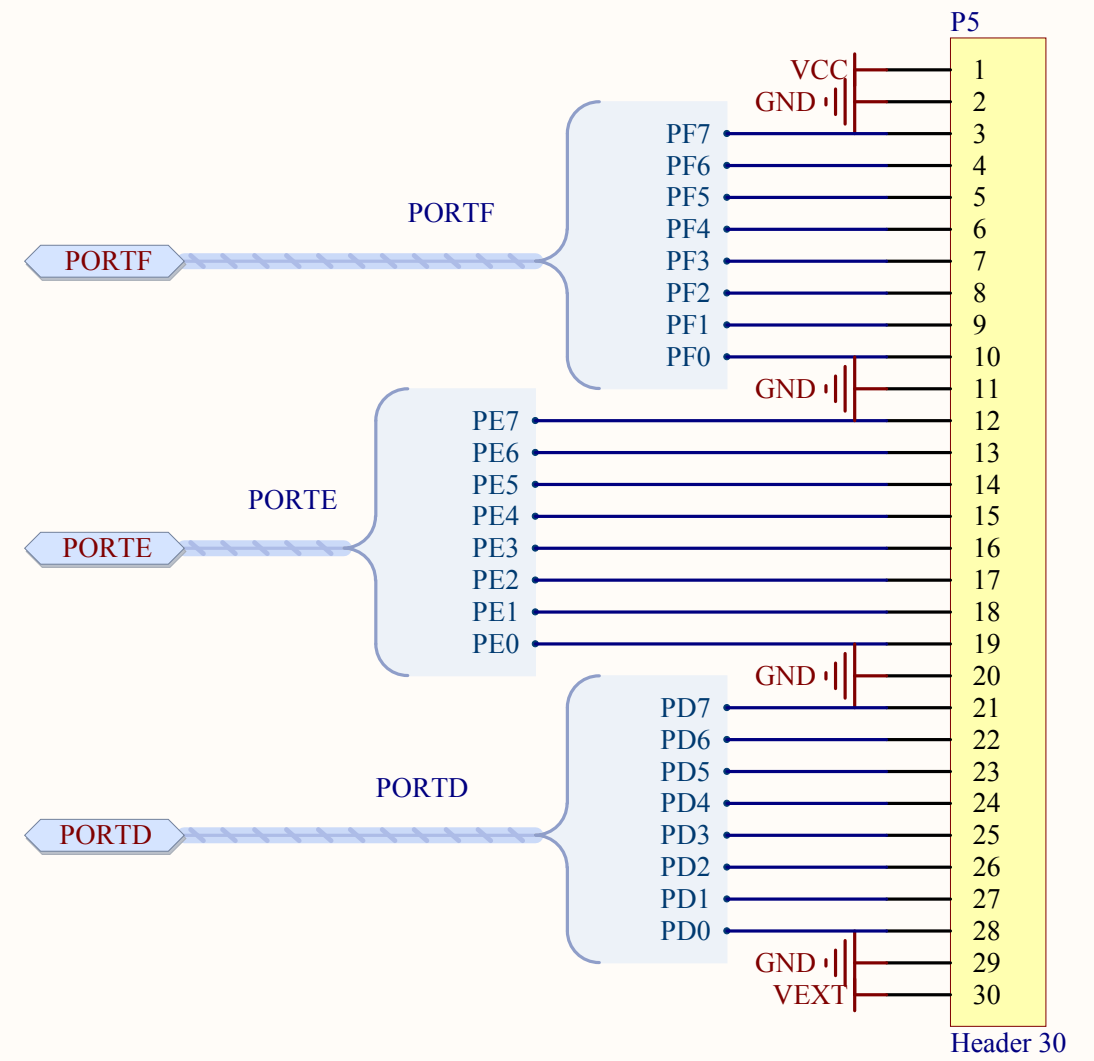
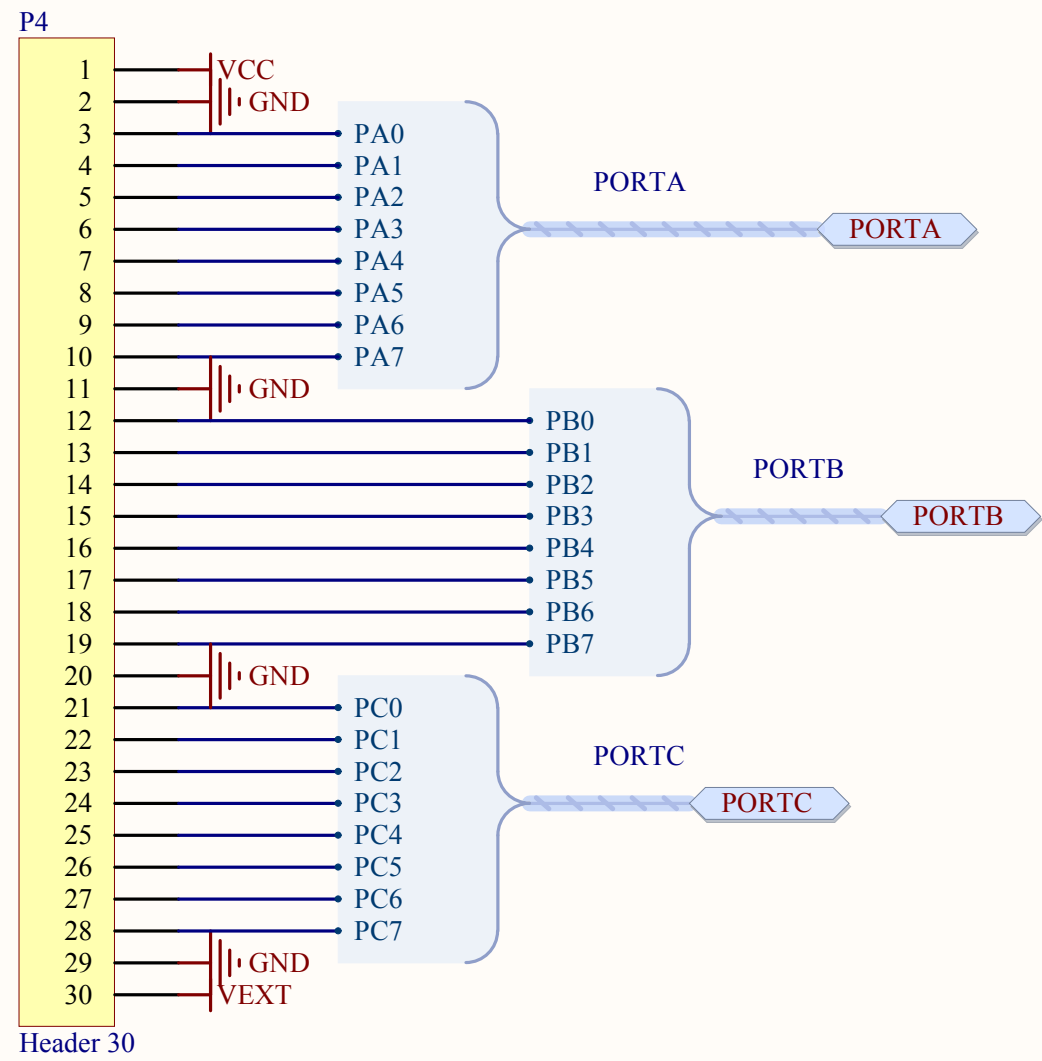
XMEGA Analog Supply (AVCC)



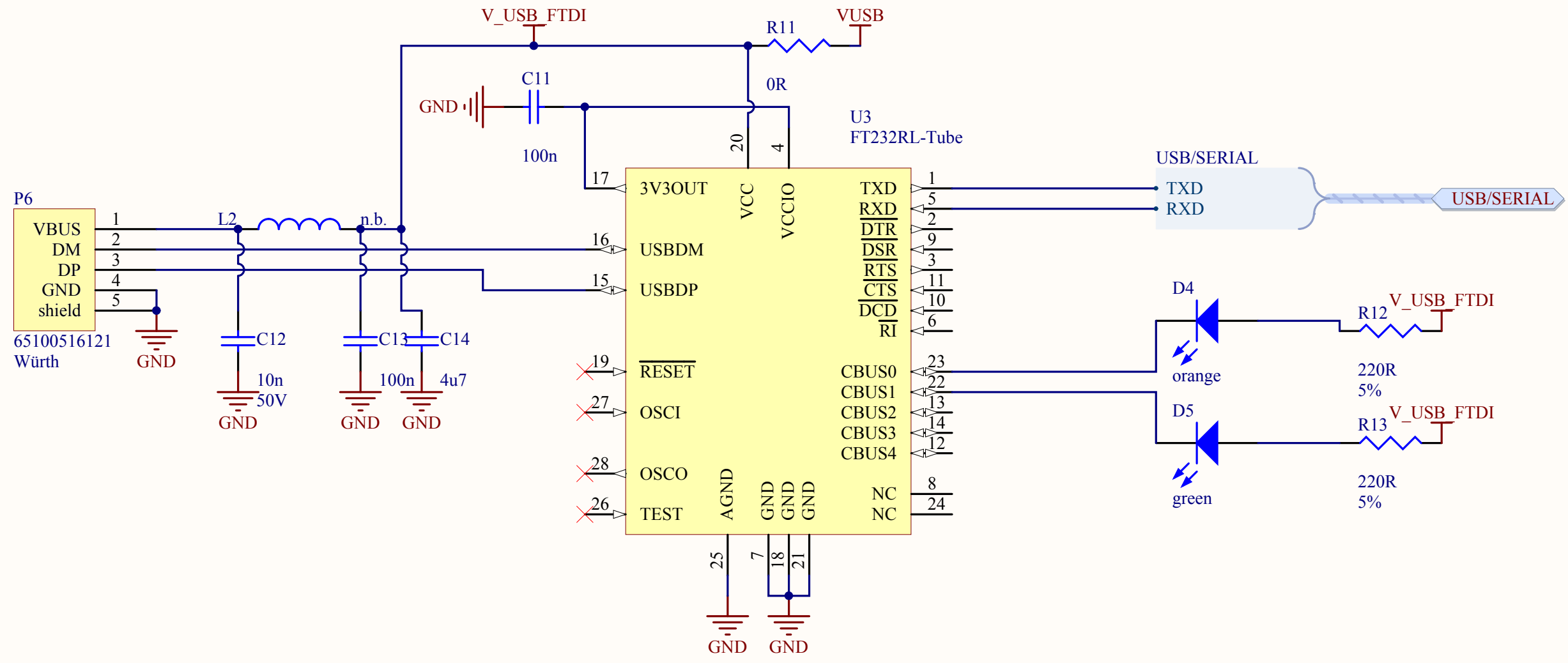
PWR LED



Title		
Size A4	Number	Revision
Date: 27.12.2011	Sheet of	
File: C:\Users\...\Power Supply.SchDoc	Drawn By:	

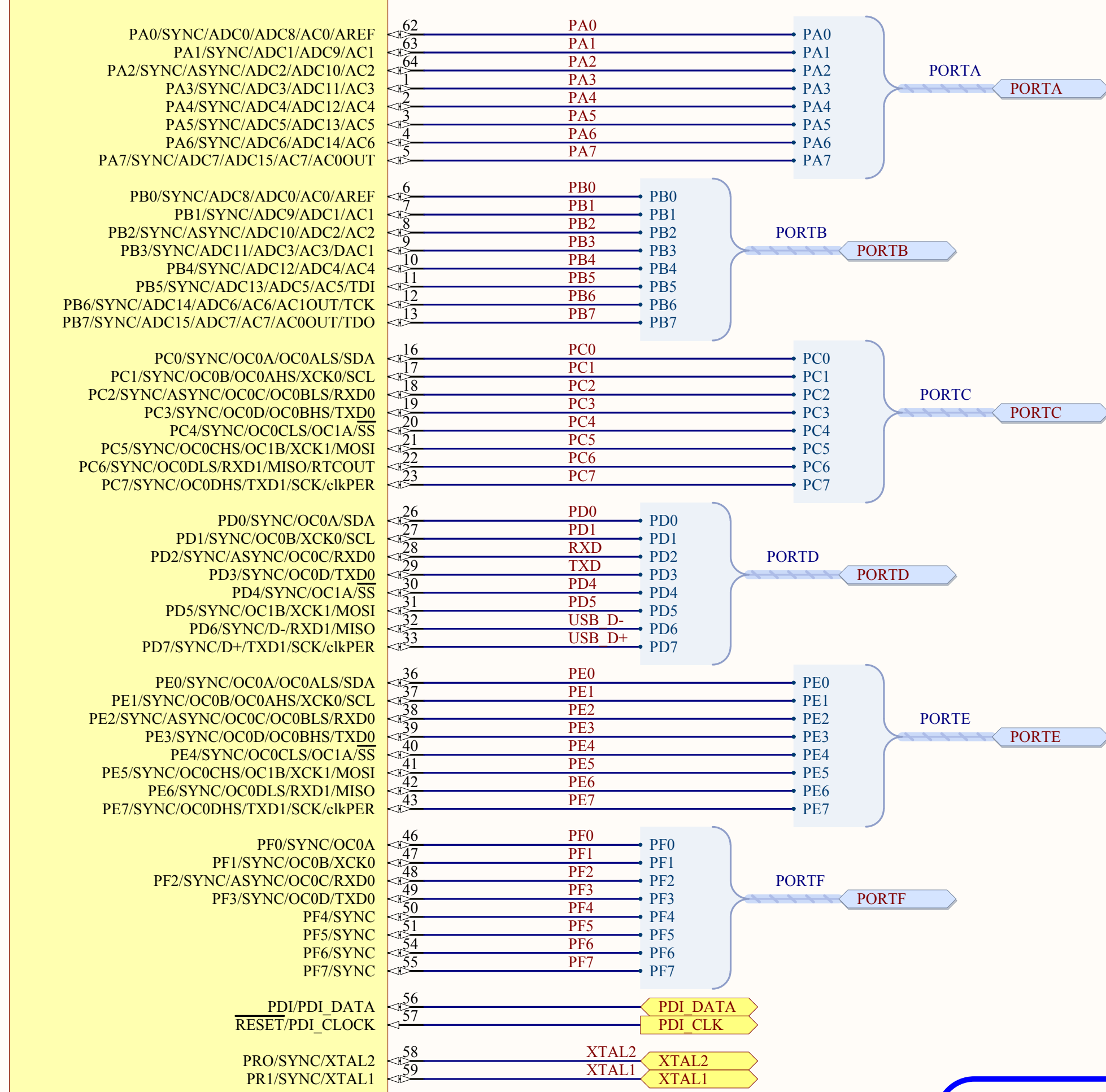


Title		
Size A4	Number	Revision
Date: 27.12.2011	Sheet of	
File: C:\Users\...\Stick Header.SchDoc	Drawn By:	

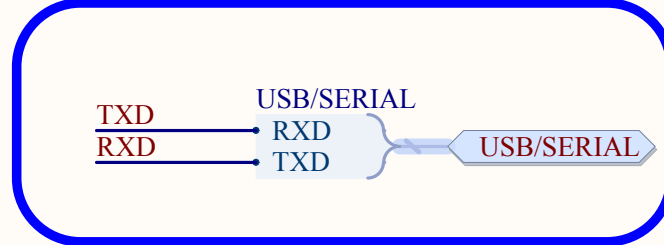
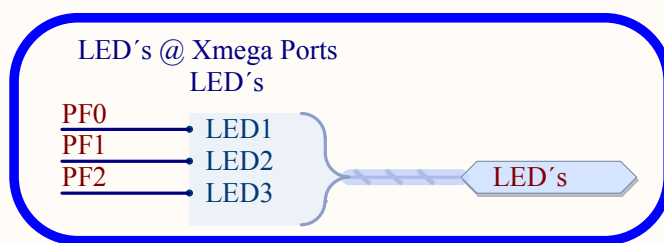
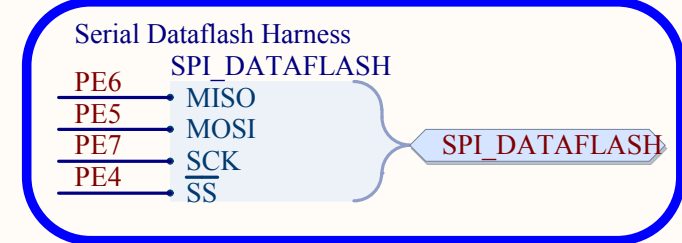
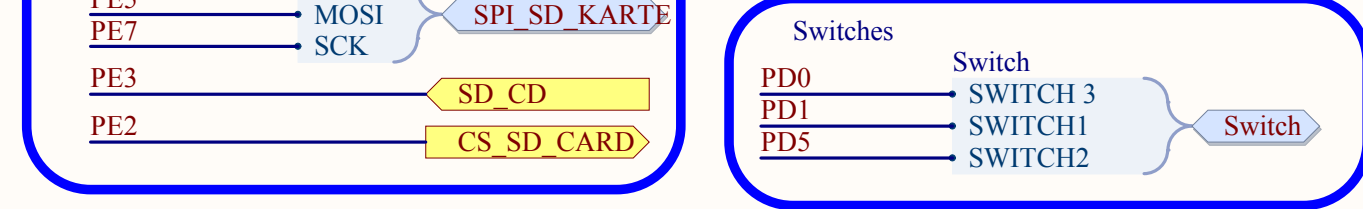
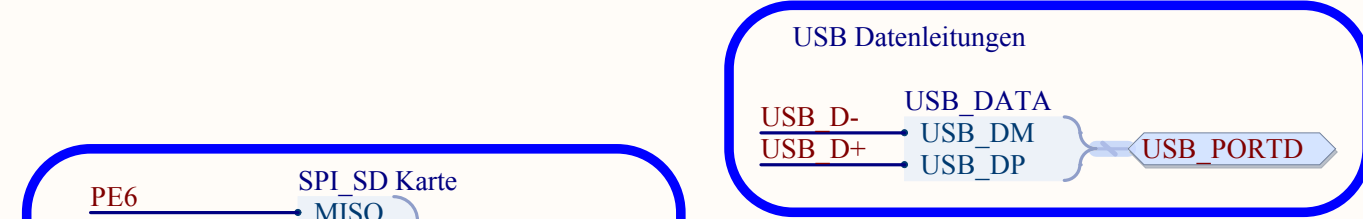
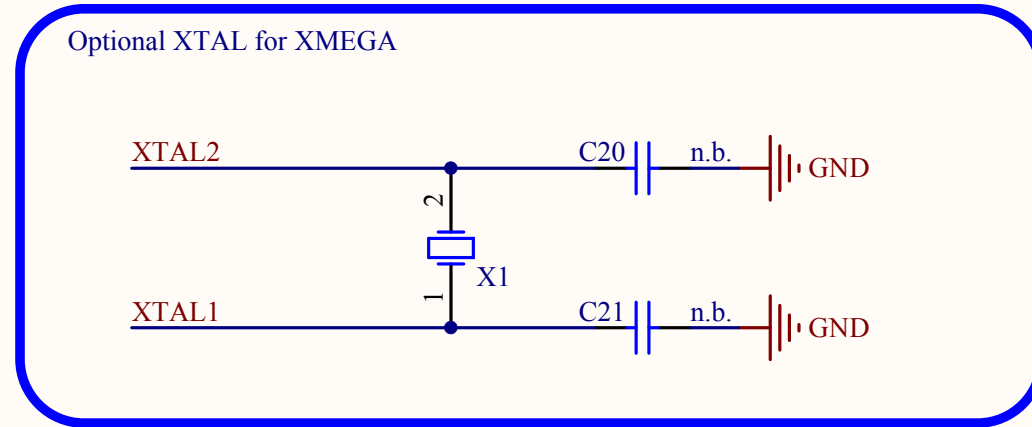
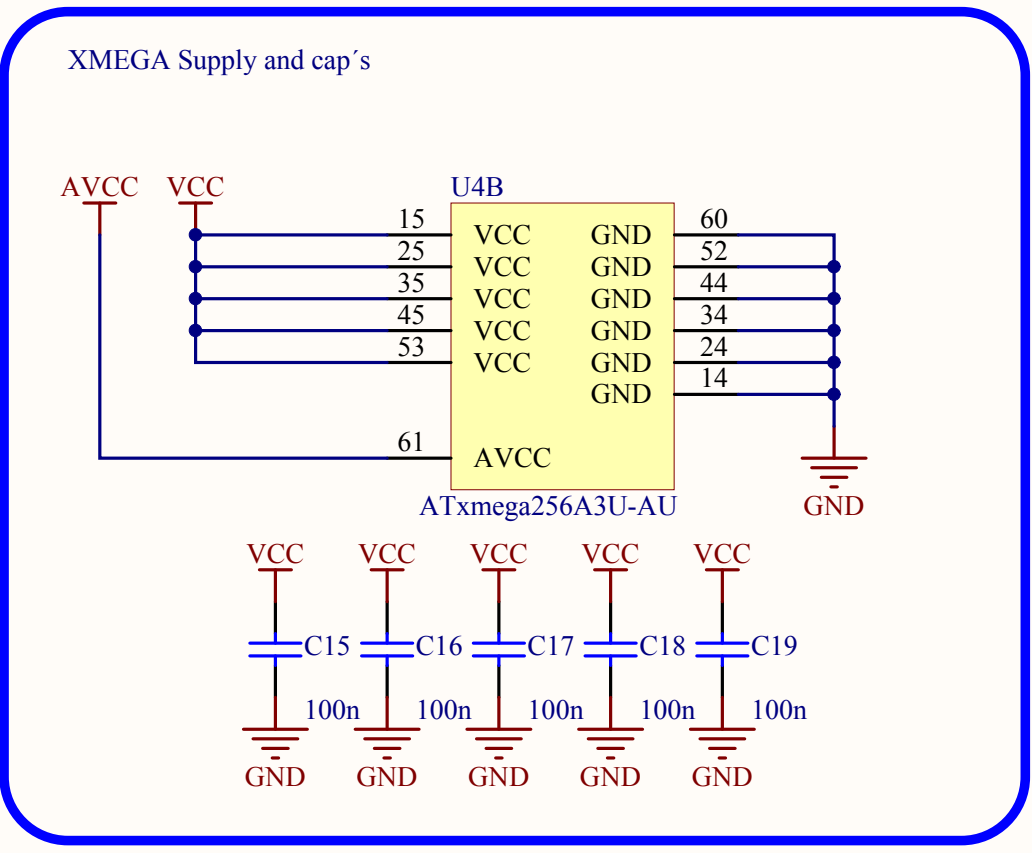


Title		
Size	Number	Revision
A4		
Date:	27.12.2011	Sheet of
File:	C:\Users\...\USB_UART.SchDoc	Drawn By:

U4A



ATxmega256A3U-AU



Title		
Size	Number	Revision
A4		
Date:	27.12.2011	Sheet of
File:	C:\Users\...\XMEGA.SchDoc	Drawn By: