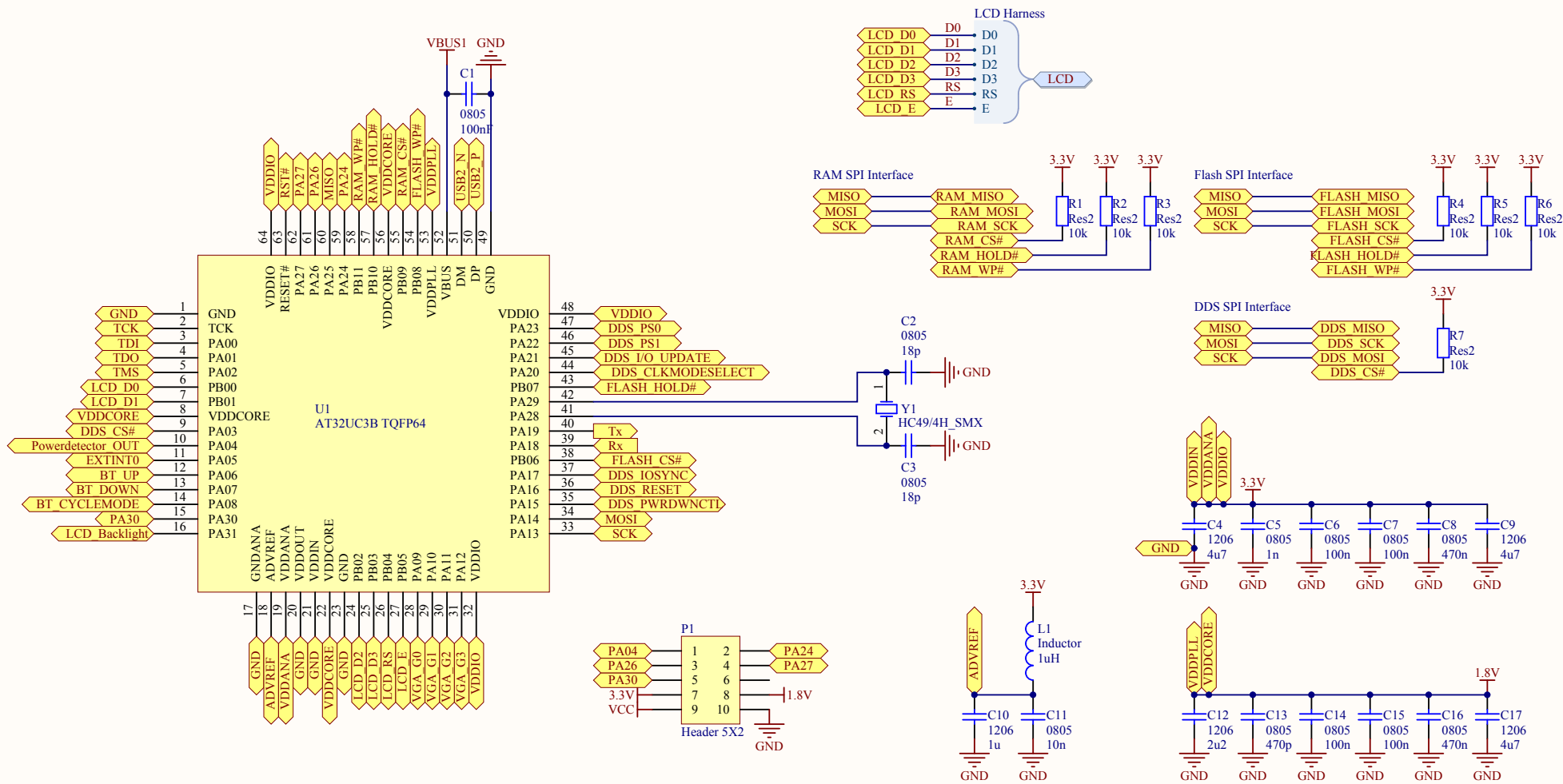
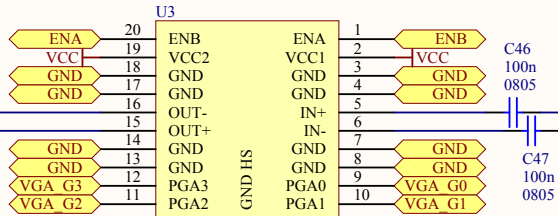
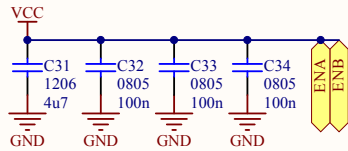
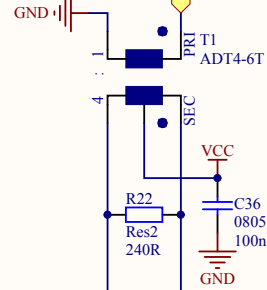
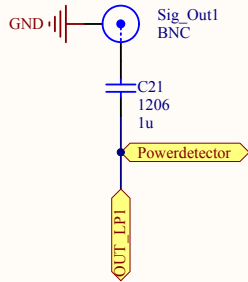
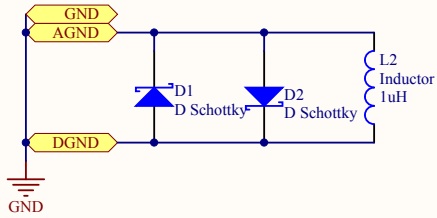


Title Buttons		
Size A4	Number	Revision 1.0
Date: 04.01.2012	Sheet of	
File: C:\Users\...\Buttons.SchDoc	Drawn By:	

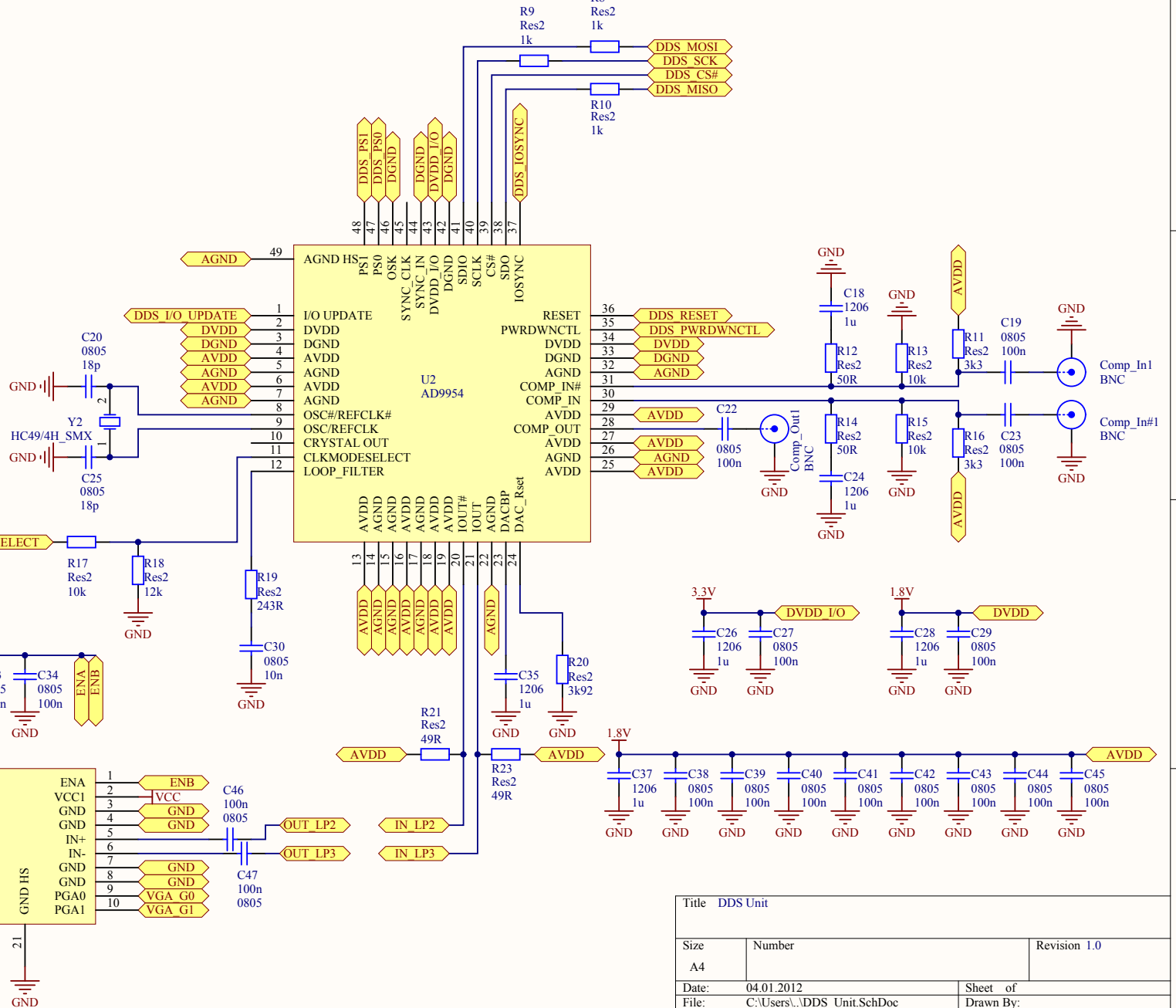


Title DDS Controller		
Size	Number	Revision 1.0
A4		
Date:	04.01.2012	Sheet of
File:	C:\Users\...\DDS ONE.SchDoc	Drawn By:

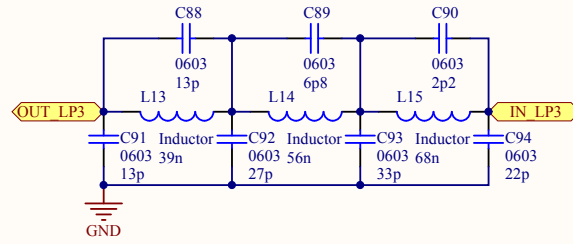
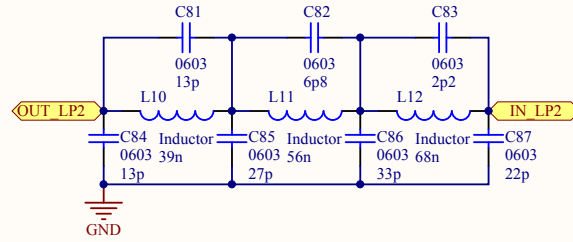
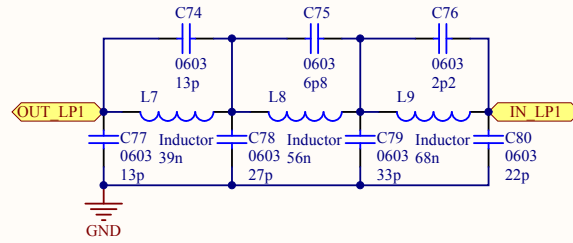
Kapazitive Kopplung zwischen AGND und DGND muss minimal sein. AGND und DGND werden in Sternschaltung zu GND zusammengeführt, ansonsten sind es zwei unverbundene Flächen.



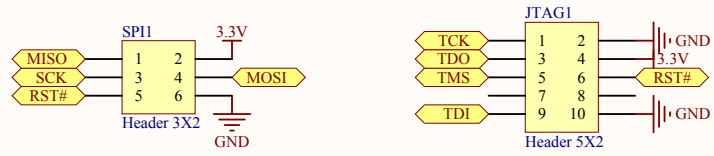
LT5514



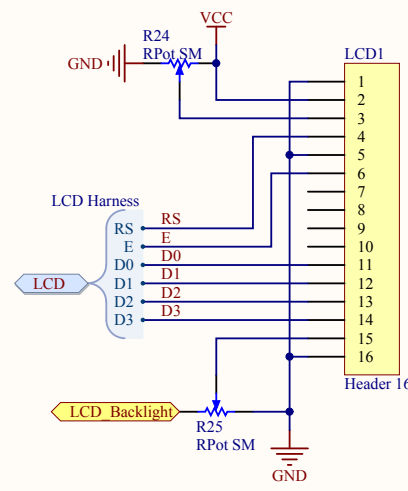
Title DDS Unit		
Size	Number	Revision 1.0
A4		
Date:	04.01.2012	Sheet of
File:	C:\Users\...DDS Unit.SchDoc	Drawn By:



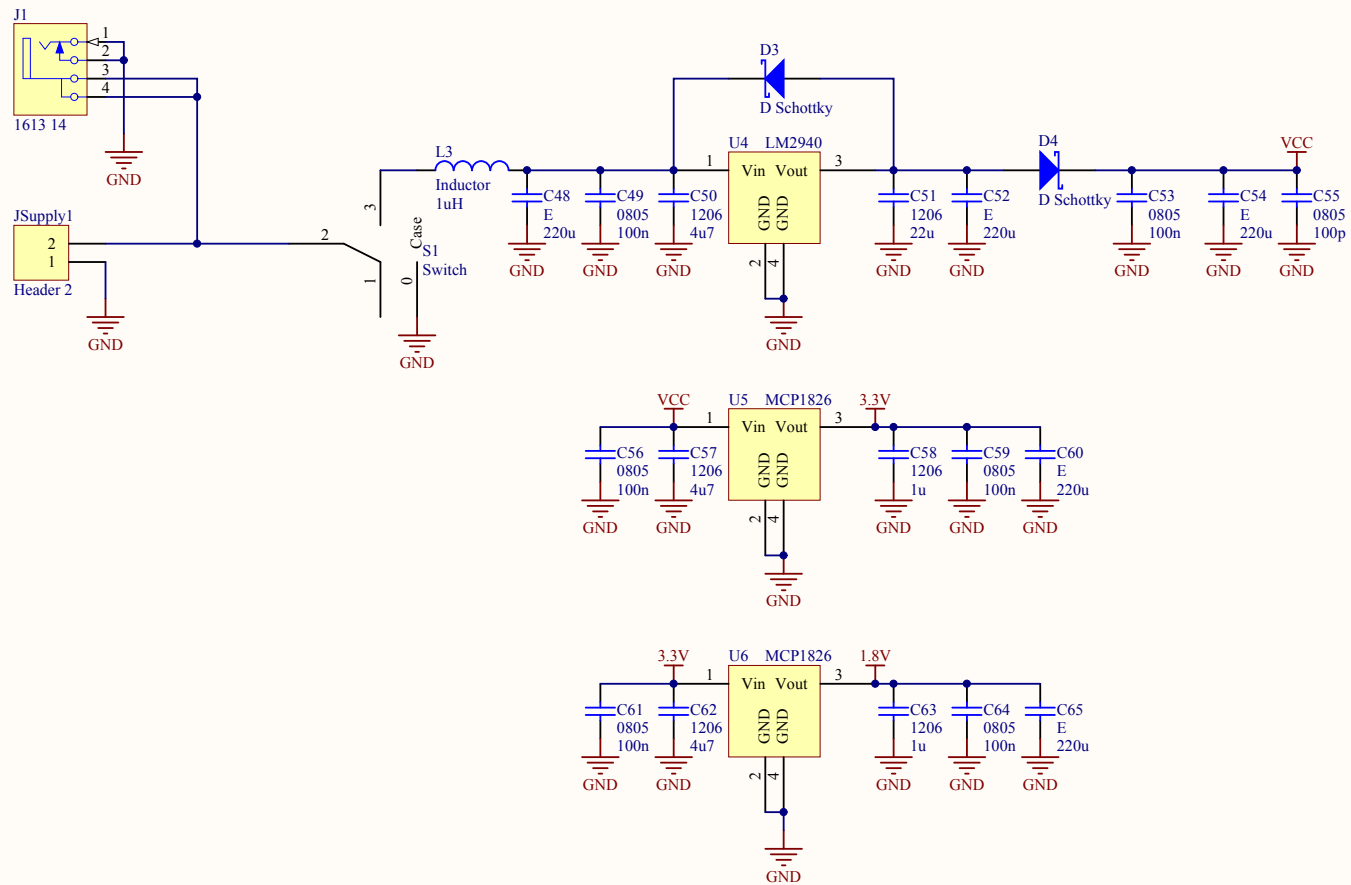
Title Filter		
Size A4	Number	Revision 1.0
Date: 04.01.2012	Sheet of	
File: C:\Users\...\Filter.SchDoc	Drawn By:	



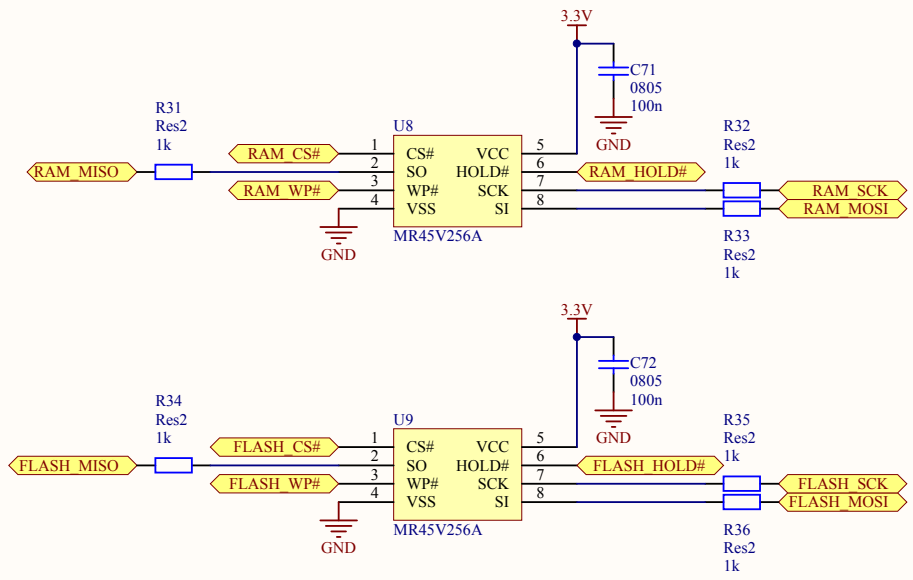
Title JTAG/SPI Interface		
Size A4	Number	Revision 1.0
Date: 04.01.2012	Sheet of	
File: C:\Users\...MSP JTAG Interface.SchDoc	Drawn By:	



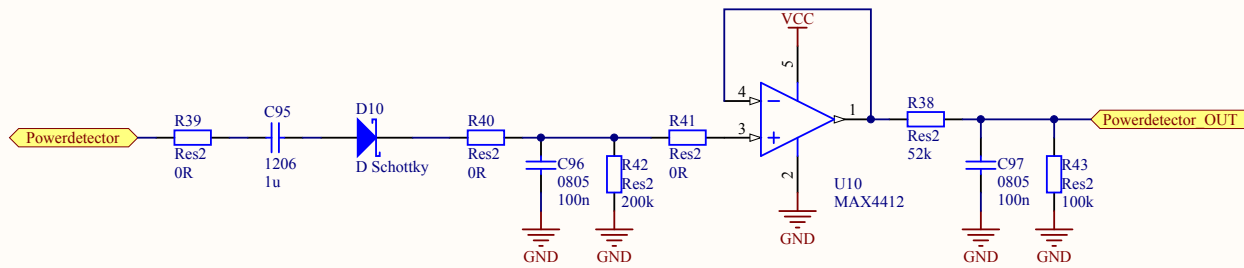
Title LCD Interface		
Size A4	Number	Revision 1.0
Date: 04.01.2012	Sheet of	
File: C:\Users\LCD Interface.SchDoc	Drawn By:	



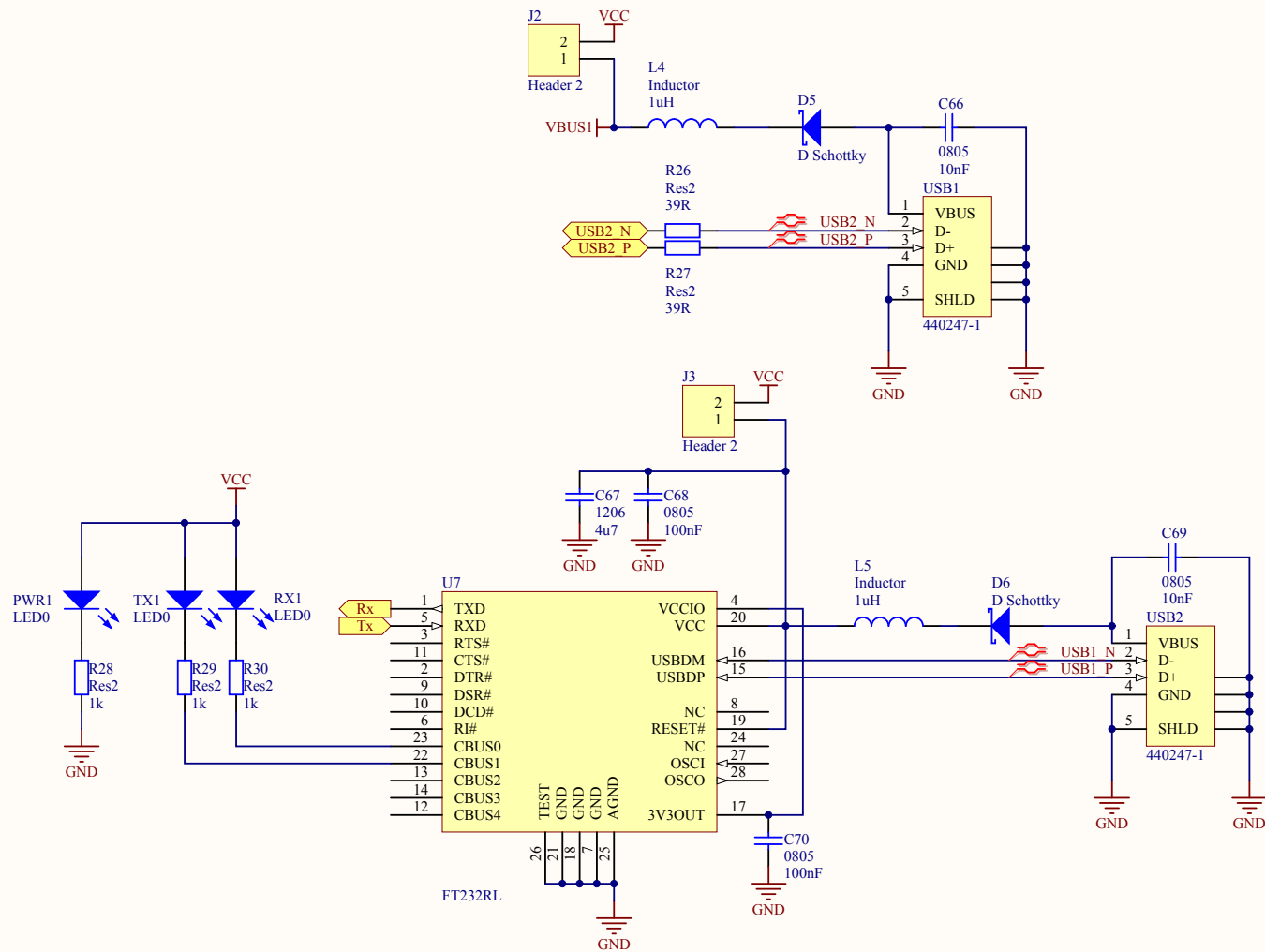
Title Power Supply		
Size A4	Number	Revision 1.0
Date: 04.01.2012	Sheet of	
File: C:\Users\...\Power_Supply_SchDoc	Drawn By:	



Title RAM and FLASH		
Size A4	Number	Revision 1.0
Date: 04.01.2012	Sheet of	
File: C:\Users\...RAM_FLASH.SchDoc	Drawn By:	



Title RF-Powerdetektor		
Size A4	Number	Revision 1.0
Date: 04.01.2012	Sheet of	
File: C:\Users\...RF-Powerdetektor.SchDoc	Drawn By:	



Title USB Interface		
Size A4	Number	Revision 1.0
Date: 04.01.2012	Sheet of	
File: C:\Users\...\USB Interface.SchDoc	Drawn By:	