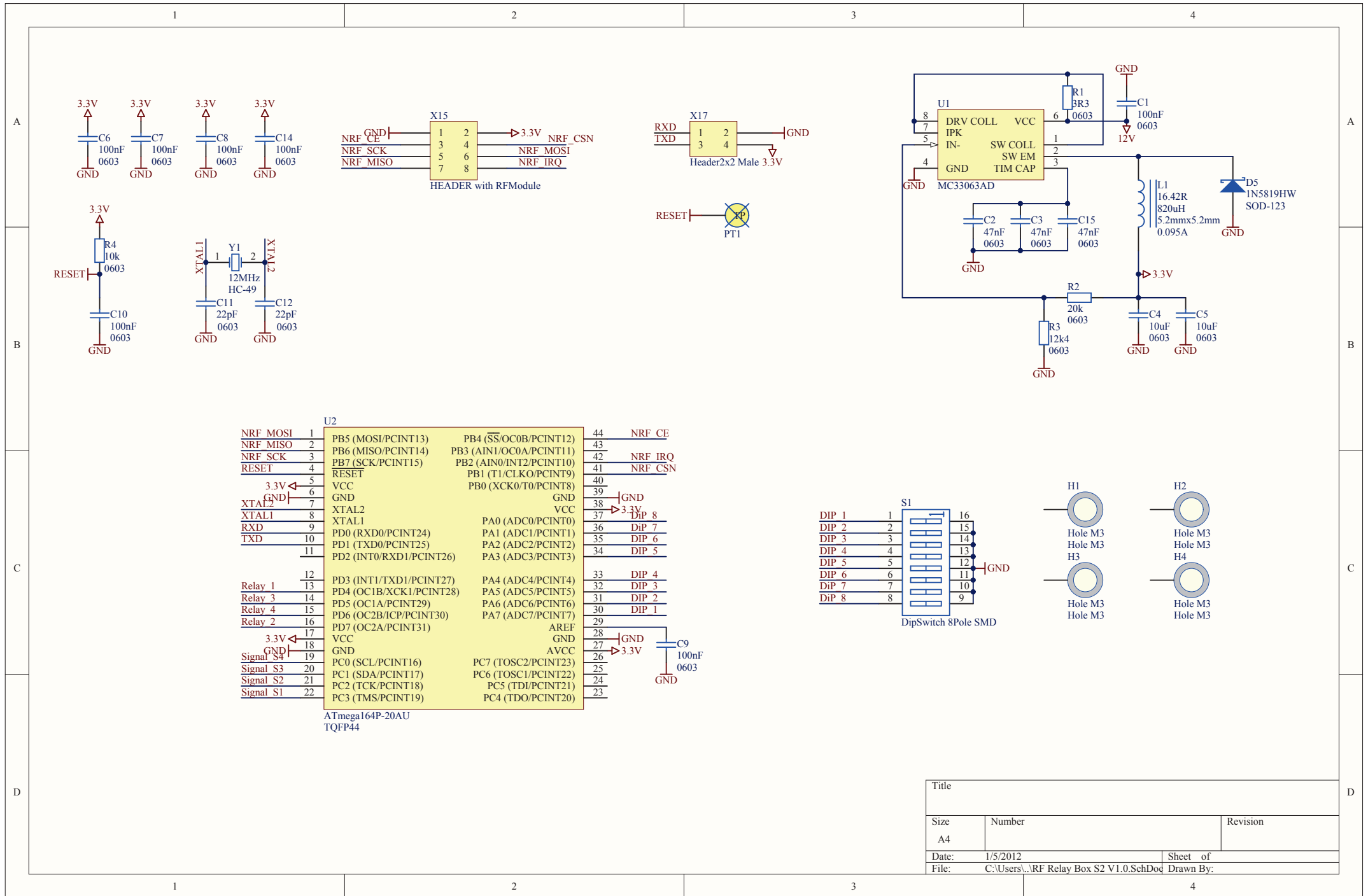


|       |   |           |
|-------|---|-----------|
| Title |   |           |
| Size  | Number                                  | Revision  |
| A4    |   |           |
| Date: | 1/5/2012                                | Sheet of  |
| File: | C:\Users\...RF Relay Box S1 V1.0.SchDoc | Drawn By: |



**U2**

|           |    |                         |                         |    |         |
|-----------|----|-------------------------|-------------------------|----|---------|
| NRF MOSI  | 1  | PB5 (MOSI/PCINT13)      | PB4 (SS/OC0B/PCINT12)   | 44 | NRF CE  |
| NRF MISO  | 2  | PB6 (MISO/PCINT14)      | PB3 (AIN1/OC0A/PCINT11) | 43 |         |
| NRF SCK   | 3  | PB7 (SCK/PCINT15)       | PB2 (AIN0/INT2/PCINT10) | 42 | NRF IRQ |
| RESET     | 4  | RESET                   | PB1 (T1/CLKO/PCINT9)    | 41 | NRF CSN |
| 3.3V      | 5  | VCC                     | PB0 (XCK0/T0/PCINT8)    | 40 |         |
| GND       | 6  | GND                     |                         | 39 | GND     |
| XTAL2     | 7  | XTAL2                   | VCC                     | 38 | 3.3V    |
| XTAL1     | 8  | XTAL1                   |                         | 37 | Dip 8   |
| RXD       | 9  | PD0 (RXD0/PCINT24)      | PA0 (ADC0/PCINT0)       | 36 | DiP 7   |
| TXD       | 10 | PD1 (TXD0/PCINT25)      | PA1 (ADC1/PCINT1)       | 35 | DIP 6   |
|           | 11 | PD2 (INT0/RXD1/PCINT26) | PA2 (ADC2/PCINT2)       | 34 | DIP 5   |
| Relay 1   | 12 | PD3 (INT1/TXD1/PCINT27) | PA4 (ADC4/PCINT4)       | 33 | DIP 4   |
| Relay 3   | 13 | PD4 (OC1B/XCK1/PCINT28) | PA5 (ADC5/PCINT5)       | 32 | DIP 3   |
| Relay 4   | 14 | PD5 (OC1A/PCINT29)      | PA6 (ADC6/PCINT6)       | 31 | DIP 2   |
| Relay 2   | 15 | PD6 (OC2B/ICP/PCINT30)  | PA7 (ADC7/PCINT7)       | 30 | DIP 1   |
|           | 16 | PD7 (OC2A/PCINT31)      | AREF                    | 29 |         |
| 3.3V      | 17 | VCC                     | GND                     | 28 | GND     |
| GND       | 18 | GND                     | AVCC                    | 27 | 3.3V    |
| Signal S4 | 19 | PC0 (SCL/PCINT16)       | PC7 (TOSC2/PCINT23)     | 26 | GND     |
| Signal S3 | 20 | PC1 (SDA/PCINT17)       | PC6 (TOSC1/PCINT22)     | 25 |         |
| Signal S2 | 21 | PC2 (TCK/PCINT18)       | PC5 (TDI/PCINT21)       | 24 |         |
| Signal S1 | 22 | PC3 (TMS/PCINT19)       | PC4 (TDO/PCINT20)       | 23 |         |

ATmega164P-20AU  
TQFP44

|       |   |           |
|-------|---|-----------|
| Title |   |           |
| Size  | Number                                  | Revision  |
| A4    |   |           |
| Date: | 1/5/2012                                | Sheet of  |
| File: | C:\Users\...RF Relay Box S2 V1.0.SchDoc | Drawn By: |