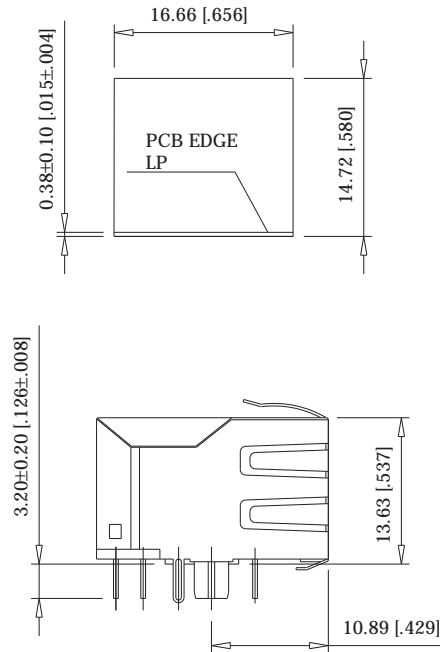


RECOMMENDED PANEL CUTOUT
EMPFOHLENER FRONTPLATTEN AUSSCHNITT



NOTE 1: SIDE SHIELD TABS IN REAR 3.05mm (R)
NOTE 2: PANEL GROUND FLANGES BOTH SIDES AND TOP (GF5)

NO. IDENT. NR.	LED 2 LEFT LED 2 LINK	LED 1 RIGHT LED 1 RECHTE	LED CODE
203198	YELLOW	GREEN	L1
203199	GREEN	YELLOW	L2
203200	GREEN	GREEN	L3
203201	RED	GREEN	L5
203202	YELLOW	YELLOW	L8
203203	ORANGE/GREEN	ORANGE/GREEN	L9

MATERIALS AND FINISH

HOUSING: GLASS FILLED POLYESTER UL 94 V-0 BLACK
SHIELDING: Cu ALLOY, PLATED WITH Ni
CONTACTS: PHOSPHOR BRONZE
CONTACT FINISH: Au, 0.8 μm (30 μin) OVER Ni
TERMINAL FINISH: SnPb
LED LENS: EPOXY

MECHANICAL CHARACTERISTICS

DURABILITY: 1000 MATING CYCLES

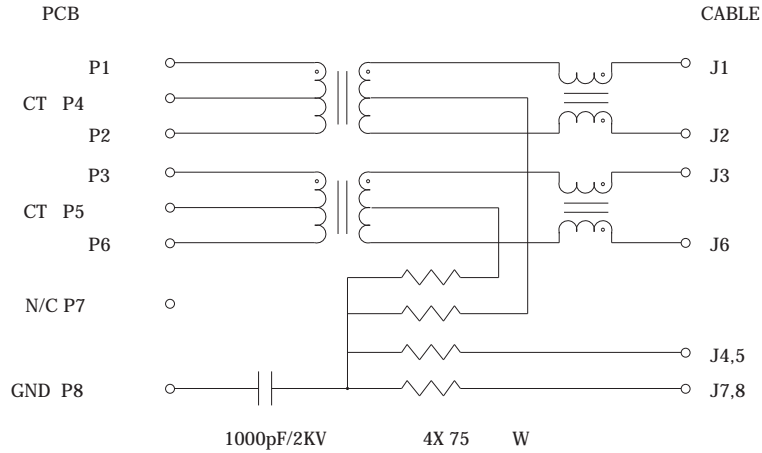
ELECTRICAL CHARACTERISTICS

CONTACT RESISTANCE: 30 MILLIOHMS MAX
OPERATING TEMPERATURE: 0°C TO 70°C

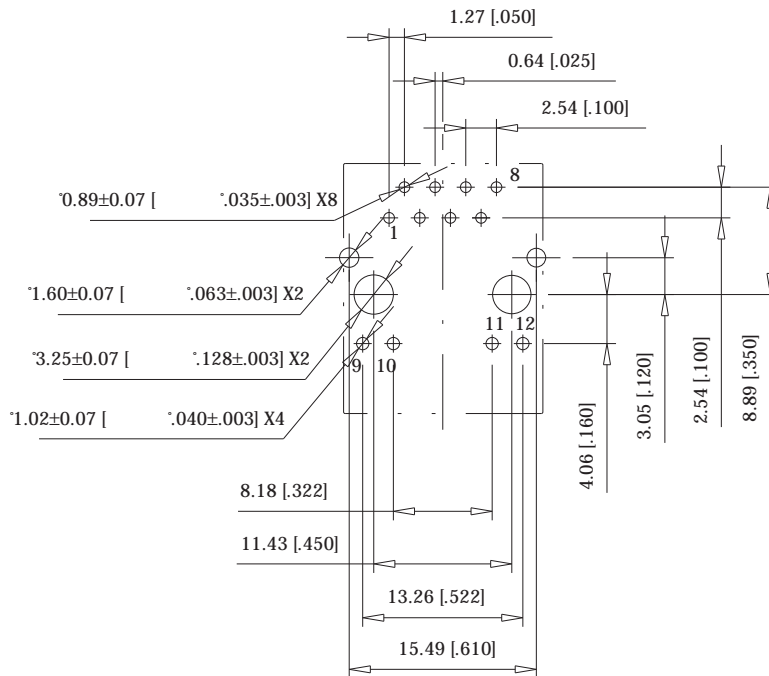
Information:		Tolerances		Scale	2:1	-
SCHEMATIC NUMBER: M3D01		All Dimensions in mm		MAT'L		
All rights reserved. Only for information. To insure that this is the latest version of this drawing, please contact one of the ERNI companies before using.		Subject to modification without prior notice. Drawing will not be updated.		Designation		
				MOD JACK - MJIM		
		www.ERNI.com		8C8T, 1X1, INT. MAG., LED ALIGNED		
				203197		
Rev.	Change No.	Date	Name	Plot At	Group/Type	MAXMJ

Consider protection memo from DIN 24

ELECTRICAL SCHEMATIC M3D01
ELEKTRISCHES DIAGRAMM



RECOMMENDED PCB LAYOUT (COMPONENT SIDE VIEW)
EMPFOHLENER FUER LEITERPLATTE (BESTUECKUNGSSEITE)
TOL ±0.05 [.002] UNLESS NOTED
SCALE: 2.5 : 1



LED SPECIFICATIONS
LED ANWEISUNG

MAGNETICS SPECIFICATIONS @ 25°C

AUTO MDIX COMPATIBLE

TURNS RATIO:

- (P1-P2 : J1-J2) 1CT : 1 ±3%
- (P3-P6 : J3-J6) 1CT : 1 ±3%

OCL(100 KHz, 0.1 Vrms, 8 mA)

- (P1-P2 : P3-P6) 350µH MIN

DCR (P1-P2, P3-P6) 0.9 OHMS MAX

INSERTION LOSS:

- 0.1-100 MHz -1.1 dB MAX

RETURN LOSS:

- 0.5 - 30 MHz: -18 dB MIN
- 40 MHz: -15.5 dB MIN
- 50 MHz: -13.6 dB MIN
- 60 - 80 MHz: -12 dB MIN

CROSSTALK:

- 1-100 MHz -40 dB TYP

CMR:

- 0.1 - 30 MHz -50 dB TYP
- 30 - 60 MHz -40 dB TYP
- 60 - 100 MHz -35 dB TYP

ISOLATION

1500 Vrms

COLOR FARBE	V _f TYP	V _f MAX	I _f mA	CIRCUIT DIAGRAM SCHALTSKIZZE
YELLOW	2.1	2.5	20	
GREEN	2.2	2.5	20	
RED	2.25	2.5	20	
ORANGE/GREEN	2.05/2.2	2.5	20	

INFORMATION:	Tolerances		Scale	2:1
All rights reserved. Only for information. To insure that this is the latest version of this drawing, please contact one of the ERNI companies before using.	Subject to modification without prior notice. Drawing will not be updated.	All Dimensions in mm [in]	Designation	
			MOD JACK - MJIM 8C8T, 1X1, INT. MAG., LED ALIGNED	
a	18FEB04		www.ERNI.com	203197
Index	Date		Group/Type	MAXMJ