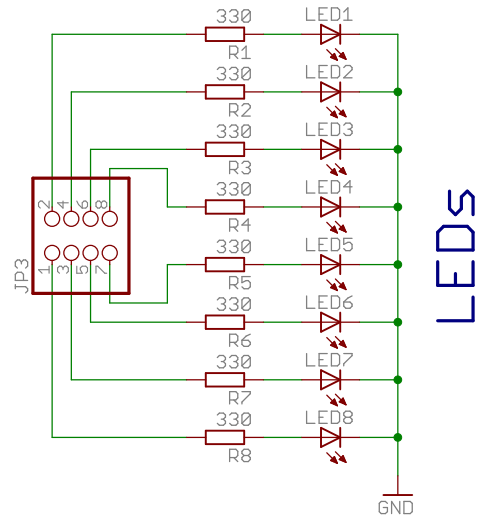
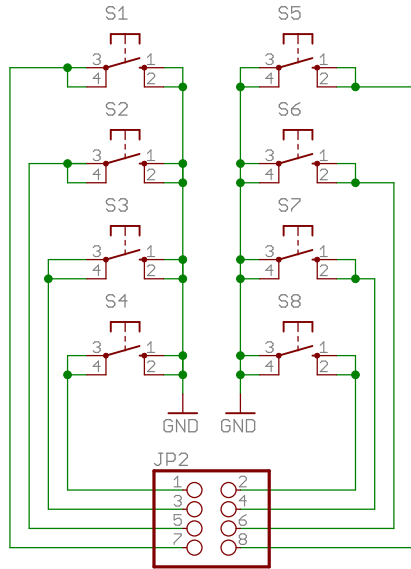
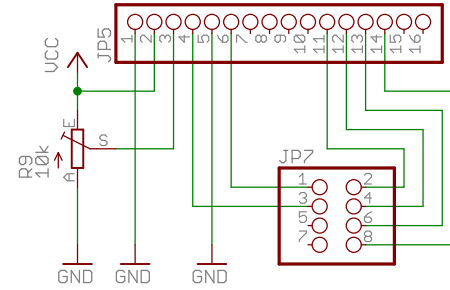


baseboard
 18.05.2012 10:51:07
 Sheet: 1/3

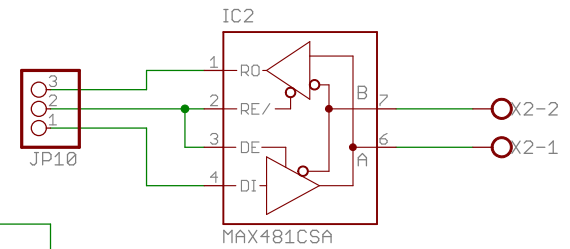
Taster



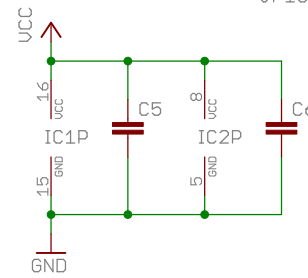
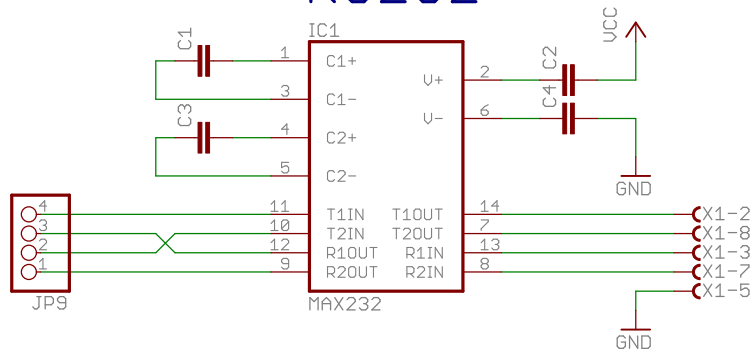
LCD

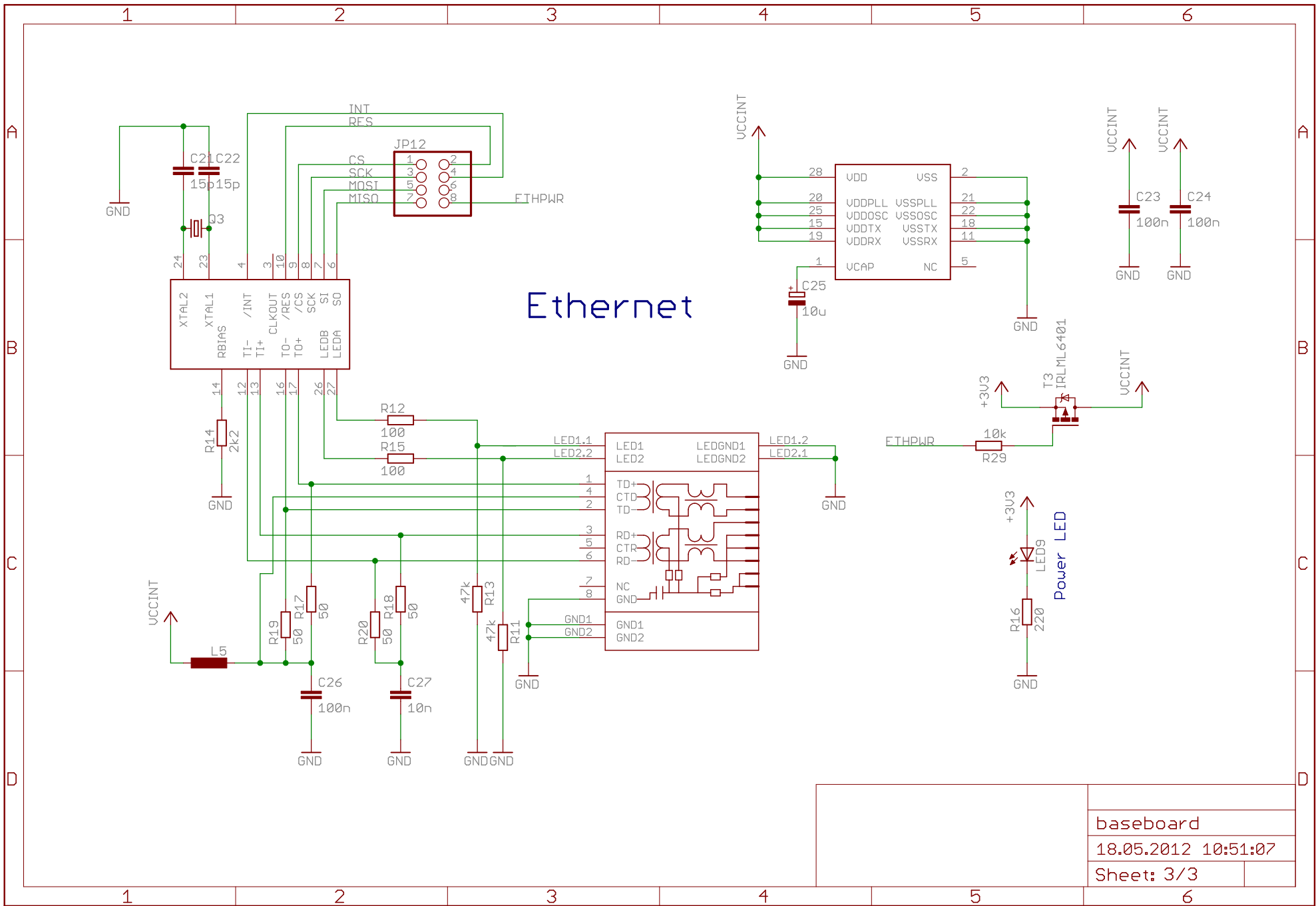


RS485



RS232





Ethernet