

Characteristics

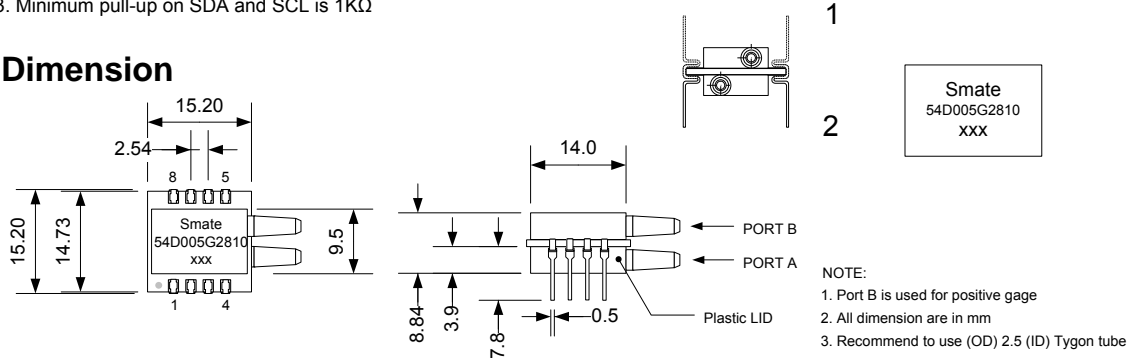
Unless otherwise specified, all parameters are measured at 25 °C and 60% RH

Parameters	Min	Typ	Max	Unit
Excitation	5 Vdc @ 3.0 mA (2.7 – 5.5 Vdc)			
Pressure range	0		5	psi
Resolution	12			Bit
Accuracy ¹		1.5		%FS, +1LSB
Voltage Low Level ³		0	0.2	V _{DD}
Voltage High Level ³	0.8	1		V _{DD}
Output Lo-Level			0.1	V _{DDA}
Current - Sleep Mode		2		µA
Current - 4MHz		3		mA
Update Rate	1		4	MHz
Temp - Compensating	0		50	°C
Temp - Operating	-20		+85	°C
Temp - Storage	-40		+85	°C
Over Pressure ⁴			3x	Rated Pressure

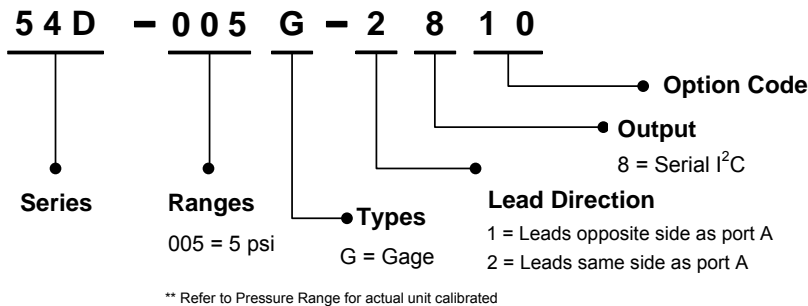
NOTES:

1. Combined accuracy over 0/50 °C with auto-zero
2. Wetted material contains PA, RTV, pyrex, silicon, ceramic (port A &B) and gold (port A)
3. Minimum pull-up on SDA and SCL is 1KΩ

Dimension



Ordering Information



Pin #	Description
1	N.C.
2	V _{DD}
3	INT
4	SDA
5	SCL
6	N.C.
7	N.C.
8	V _{SS}

- NOTE:**
1. N.C. pins must be left floating
 2. A 0.1 µF capacitor must be connected between V_{SS} and V_{DD}, and closing to the sensor
 3. Pull-up on SCL and SDA is 1KΩ min.



We are here for you. Addresses and Contacts

Sales Switzerland

Matthias Rüegg
Ruhbergstrasse 32
CH-9230 Flawil

Phone +41 44 877 35 18
Mobile+41 76 491 66 66
Fax +41 44 877 35 19

matthias.rueegg@pewatron.com

Sales Germany

Baden-Württemberg Region
(Postcode 60000–79999)

Dieter Hirthe
Mühlweg 23
D-71554 Weissach i.T.

Phone +49 71 91 49 60 58
Mobile+49 163 76 27 430
Fax +49 71 91 93 31 88

dieter.hirthe@pewatron.com

Rest of Germany

Kurt Stritzelberger
Neumarkter Str. 86a
D-81673 Munich

Phone +49 89 260 38 47
Mobile+49 17 18 03 41 35
Fax +49 89 43 10 91 91

kurt.stritzelberger@pewatron.com

Sales Austria

Kurt Stritzelberger
Neumarkter Str. 86a
D-81673 Munich

Phone +49 89 260 38 47
Mobile+49 17 18 03 41 35
Fax +49 89 43 10 91 91

kurt.stritzelberger@pewatron.com

Sales Other Countries

PEWATRON AG
Thurgauerstrasse 66
CH-8052 Zurich

Phone +41 44 877 35 00
Fax +41 44 877 35 25

info@pewatron.com
www.pewatron.com

Sensors

Physical Sensors
Data Acquisition
Peter Felder
Phone +41 44 877 35 05
peter.felder@pewatron.com

Geometrical Sensors
Eric Letsch
Phone +41 44 877 35 14
eric.letsch@pewatron.com

Power Supplies

DC-DC Converters
Switching Power Supplies
DC-AC Inverters
Sebastiano Leggio
Phone +41 44 877 35 06
sebastiano.leggio@pewatron.com

E-Components

Current Converters
Man Machine Interface
Measurement Probes
Sebastiano Leggio
Phone +41 44 877 35 06
sebastiano.leggio@pewatron.com