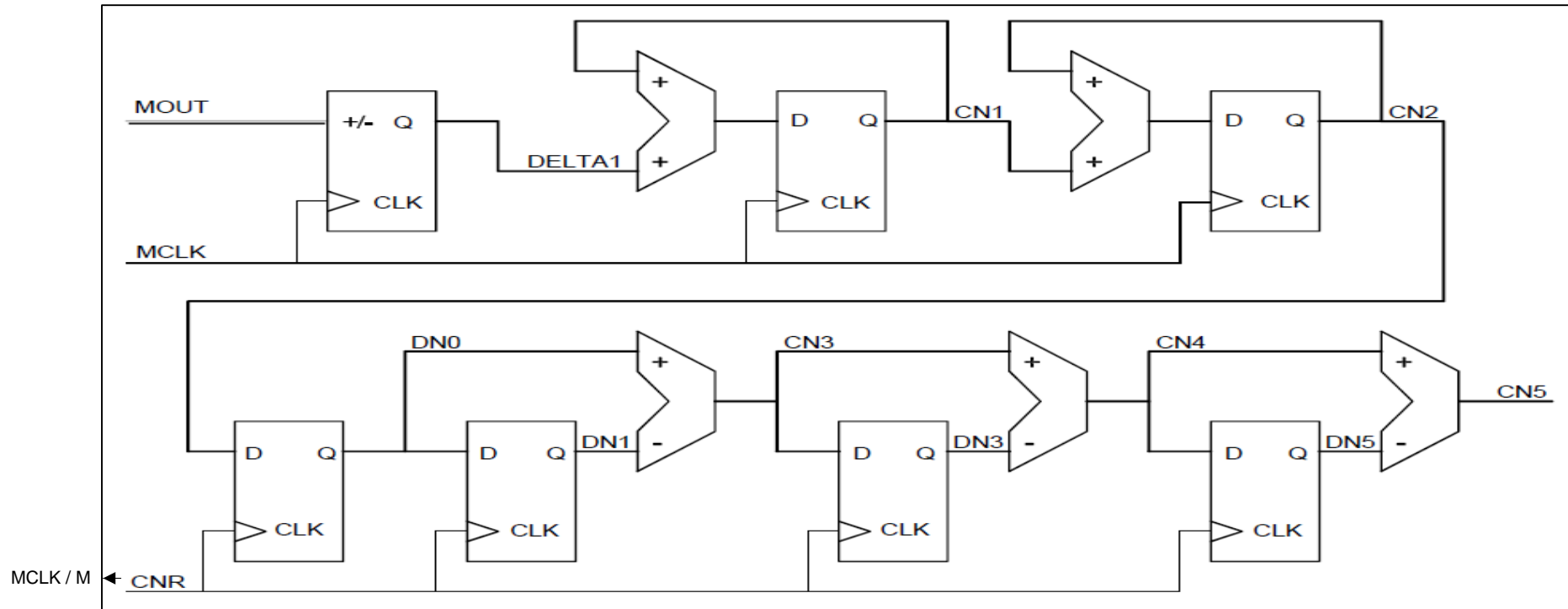
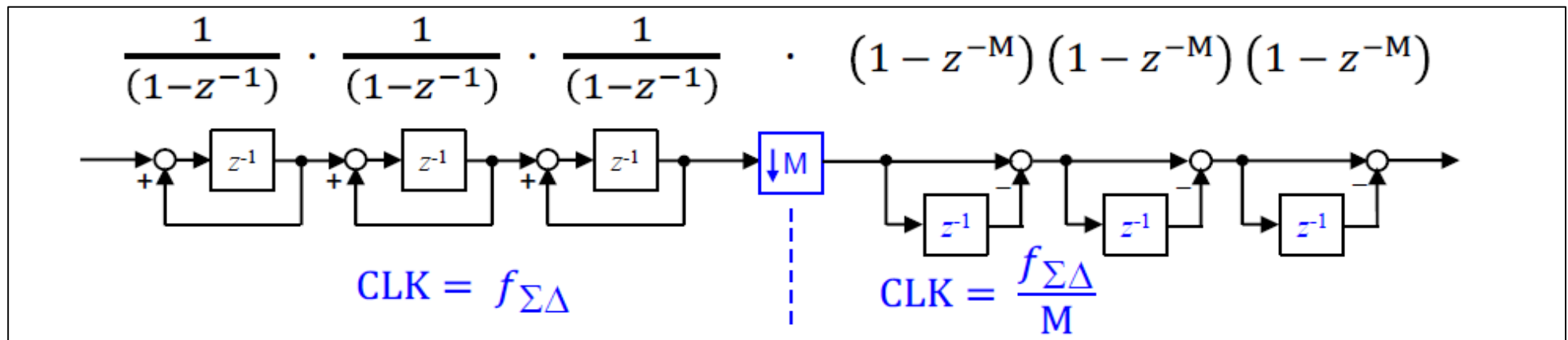


Sinc3 Digital Filter Circuit



Source: <http://www.ti.com/lit/an/sbaa094/sbaa094.pdf>, site 14

The transfer function of Sinc3 Digital filter



M is the decimation ratio of the sampling rate

Source: http://www.f07.fh-koeln.de/imperia/md/content/personen/krah_jens/sigma_delta_current.pdf