

1 2 3 4 5

A

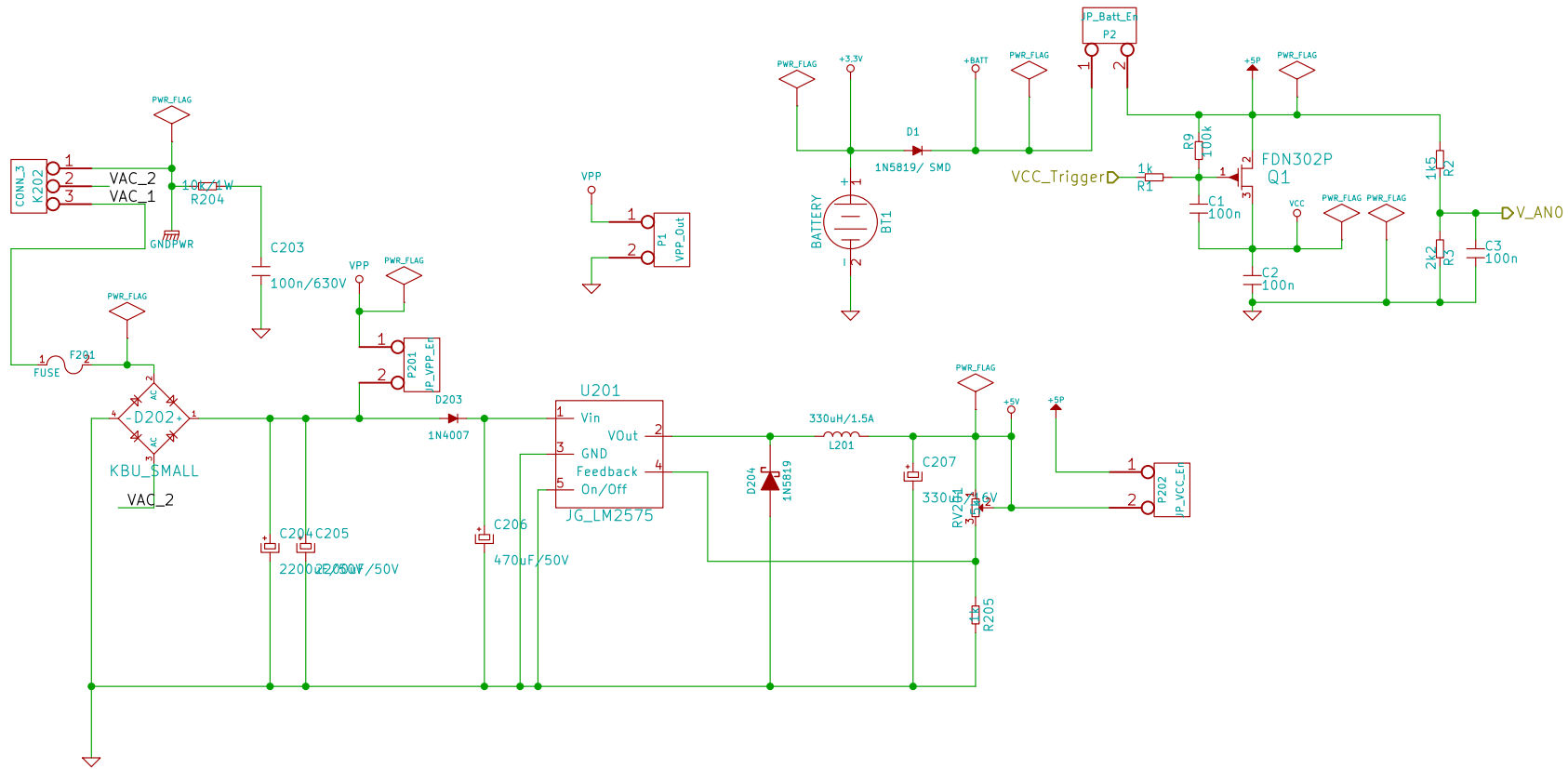
A

B

B

C

C



File: SwitchingPwrSup.sch		
Sheet: /SwitchingPwrSup/		
Title:		
Size: A4	Date: 18 sep 2012	Rev: 0.01
KiCad E.D.A.		Id: 2/10

1 2 3 4 5