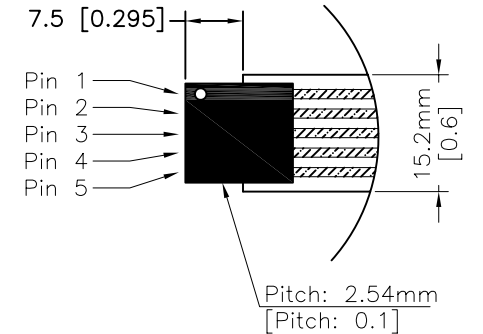
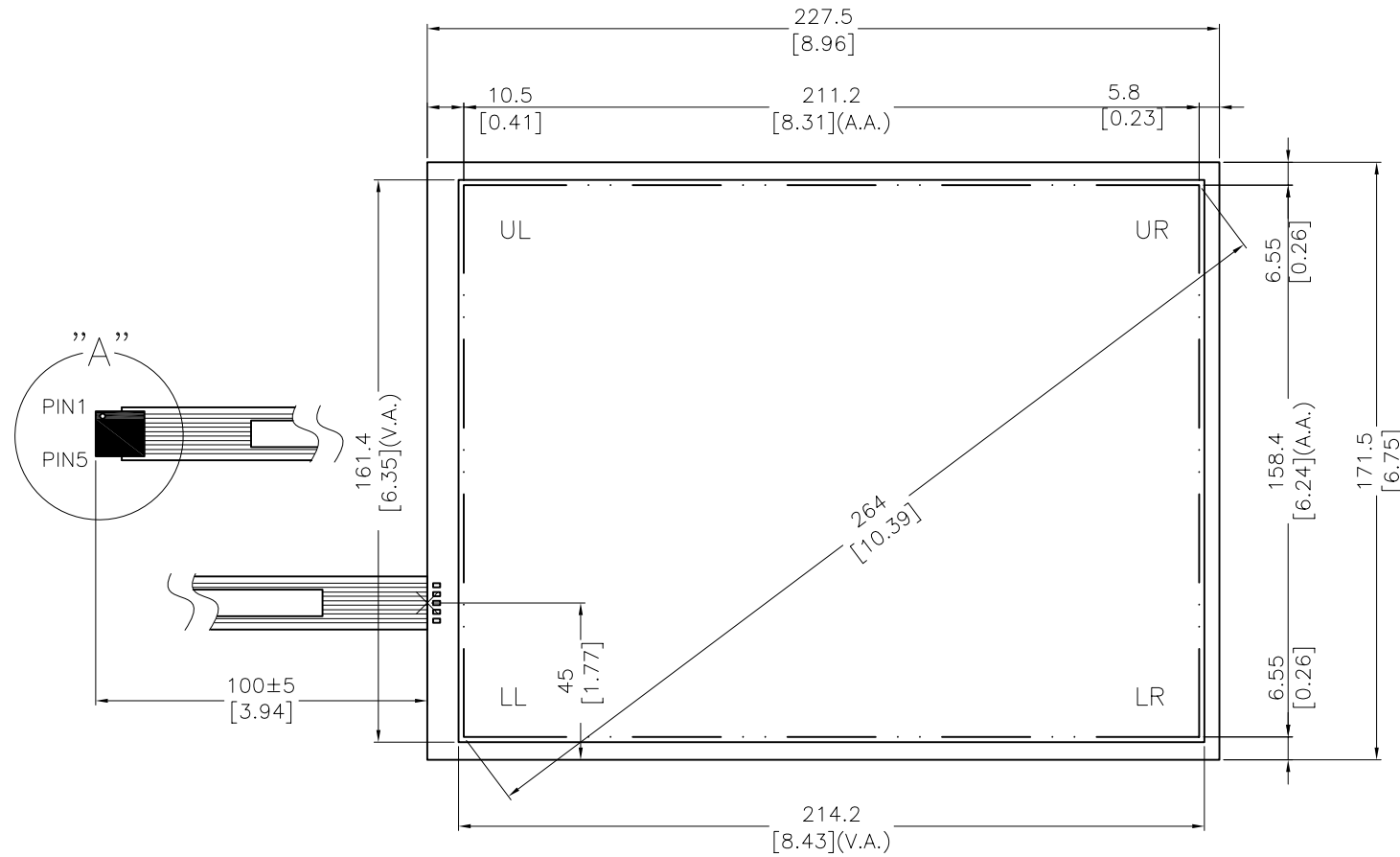


<FRONT VIEW>

<DETAIL "A">



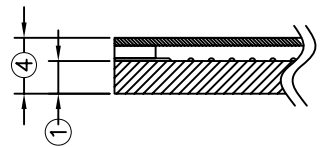
CONNECTOR HOUSING	
P/N	CI36**S0010
CONNECTOR PIN OUT	
PIN NO.	DESINATION
1	UR
2	LR
3	SENSE
4	UL
5	LL

APPROVED BY

<NOTES>

- ① GLASS THICKNESS : 1.8mm
2. GLASS CHARACTERISTIC : NORMAL
3. FILM CHARACTERISTIC : ANTI-GLARE
- ④ TOTAL THICKNESS : 2.2mm±0.1
5. LABEL TO BE ATTACHED TO FRONT SIDE OF TAIL

<A CROSS SECTION>



No.	Date(m.d.y)	Rev.	Description
6			
5			
4			
3			
2			
1	01.29.08	001	First Release

		DESIG'D	J.H.HAN
		CHK'D	J.W.KIM
DATE: 2008.01.18		DWG NO. B104-06-002	
SIZE	REF NO.	POT NO.	REV
A4	NULL	B104N18AG20-06	AA
SCALE NULL	UNIT MM[INCH]	UNDEFINED TOL. ±0.3	SHEET NO. 1/1