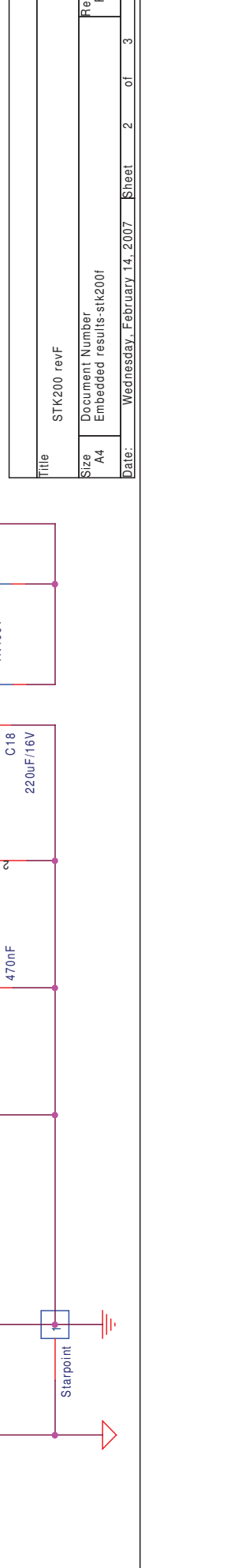
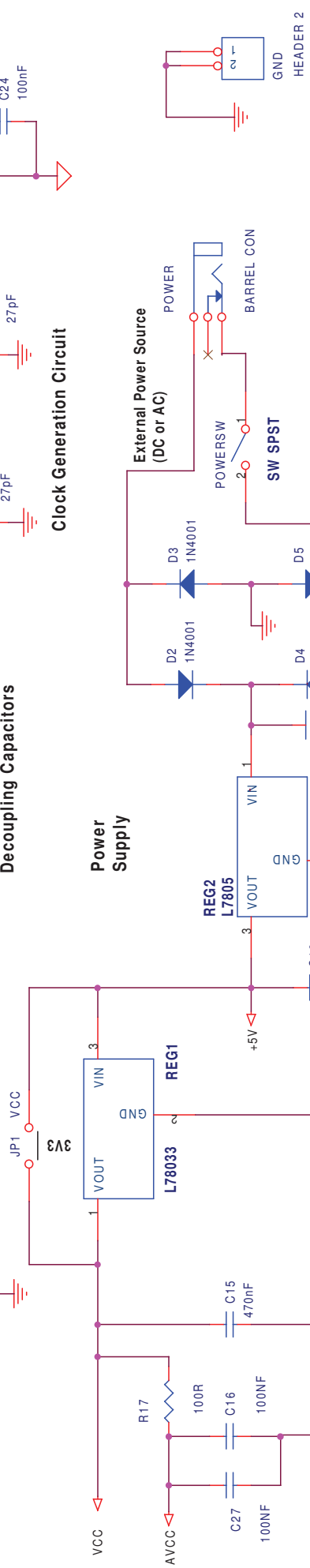
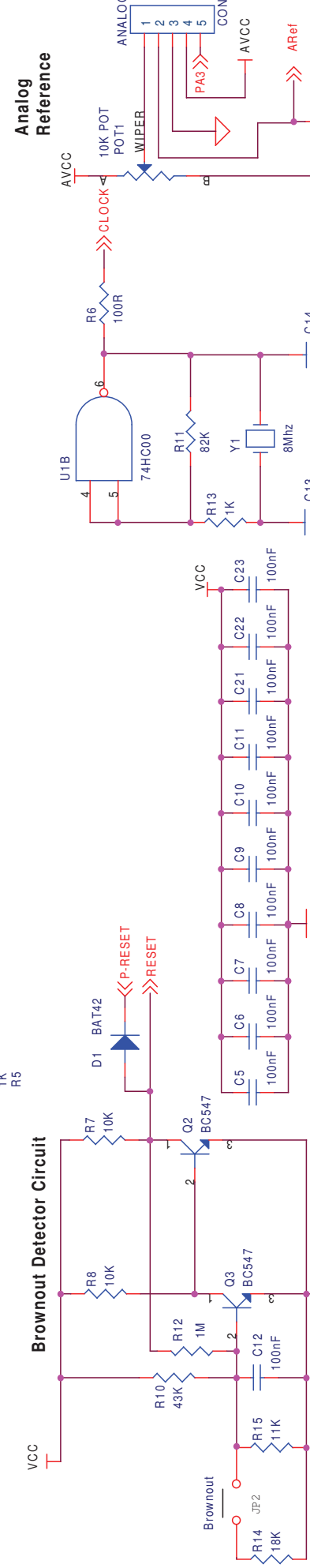
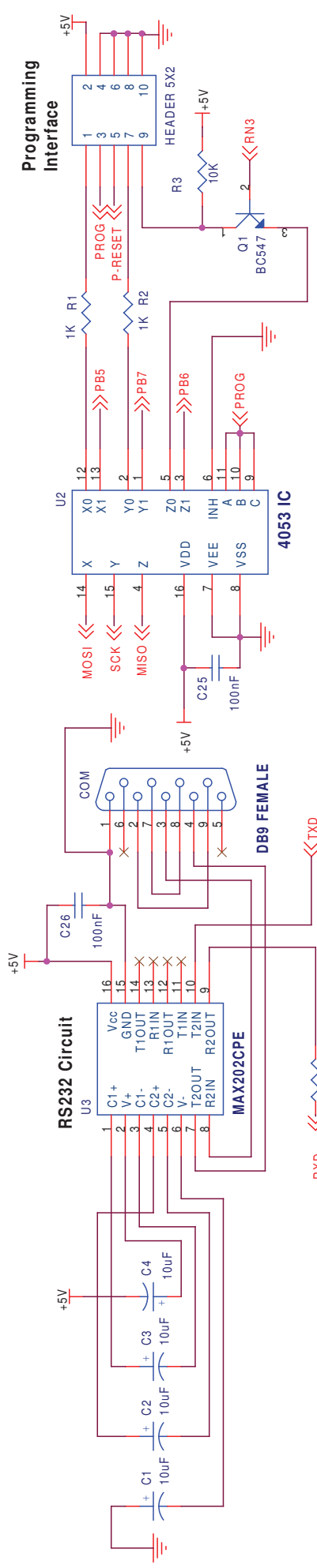
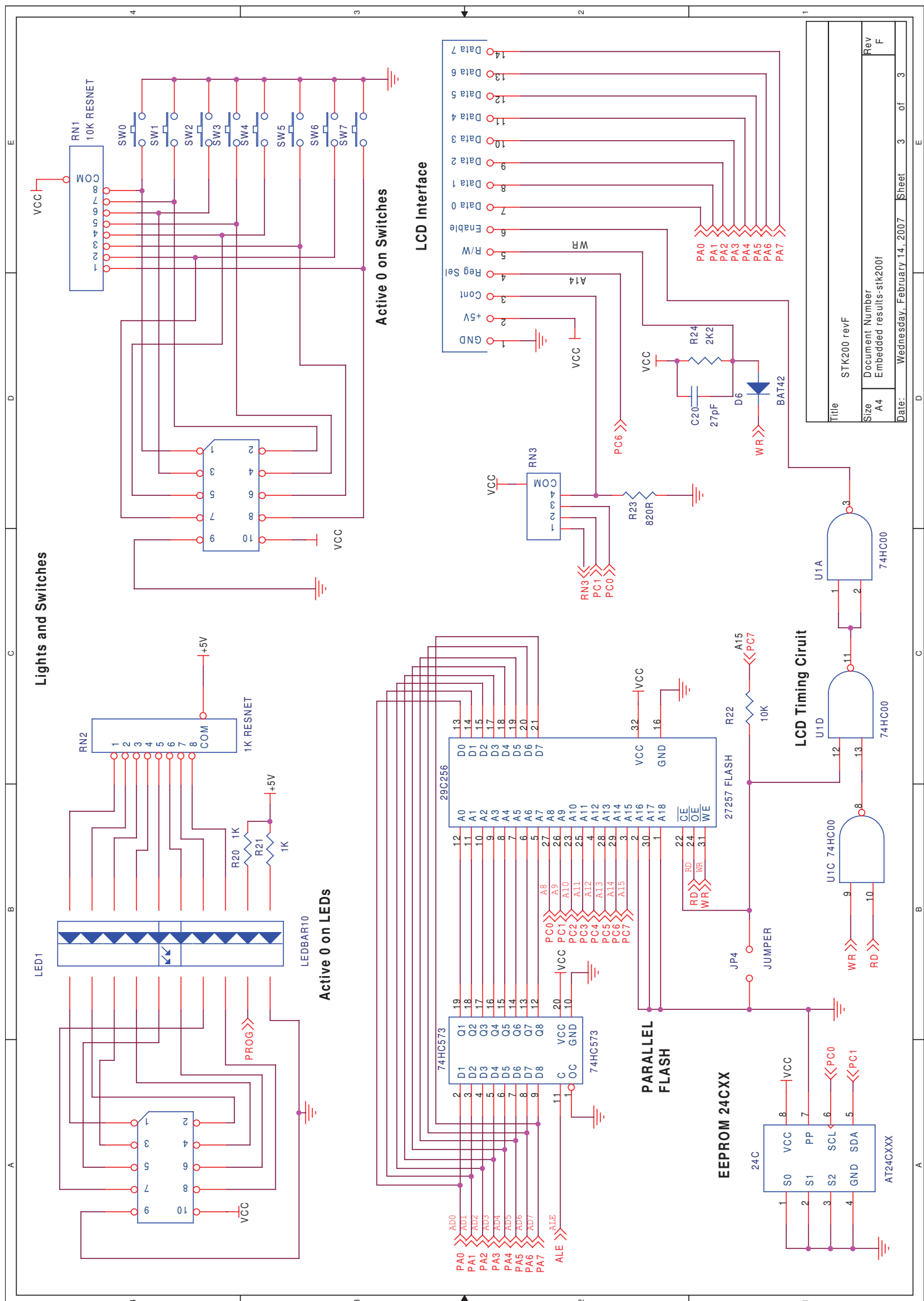


Title		STK200 revF	
Size	Document Number	Embedded results-stk200f	
A4	Rev	F	
Date:	Wednesday, February 14, 2007	Sheet	1 of 3



Title	STK200 revF
Size	A4
Document Number	Embedded results-stk200f
Rev	F
Date:	Wednesday, February 14, 2007
Sheet	2 of 3



**Lights and Switches**

**Active 0 on Switches**

**Active 0 on LEDs**

**LCD Interface**

**PARALLEL FLASH**

**EEPROM 24CXX**

**LCD Timing Circuit**

Title		STK200 revF	
Size	A4	Document Number	Embedded results-stk200f
Rev	F	Date:	Wednesday, February 14, 2007
Sheet	3	of	3