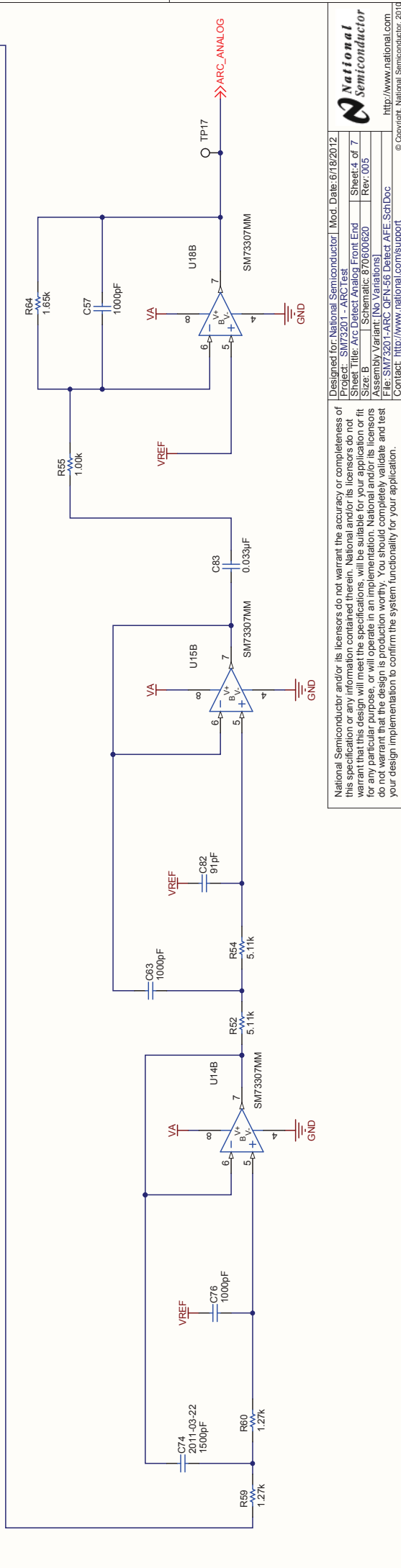


CH1 and CH2 are slots to increase the creepage distance between the primary and secondary transformer pins that may be needed for safety certification (the creepage requirement is voltage dependent)

12.5mm creepage on reference board design



National Semiconductor and/or its licensors do not warrant the accuracy or completeness of this sheet for any particular application. It is the responsibility of the user to verify that this design will meet the specification for its application and to test for any particular purpose, or will operate in an implementation. National and its licensors do not warrant that the design is production worthy. You should completely validate and test your design implementation to confirm the system functionality for your application.

Designed for: National Semiconductor | Mod. Date: 6/18/2012  
 Project: SM73201 - ARC Test  
 Sheet Title: Arc Detect Analog Front End  
 Sheet: 4 of 7  
 Size: B  
 Schematic: 870600620  
 Rev: 005  
 Assembly Variant: No Variations  
 File: SM73201-ARC QFN-56 Detect AFE SchDoc  
 Contact: <http://www.national.com/support>  
 © Copyright, National Semiconductor, 2013

