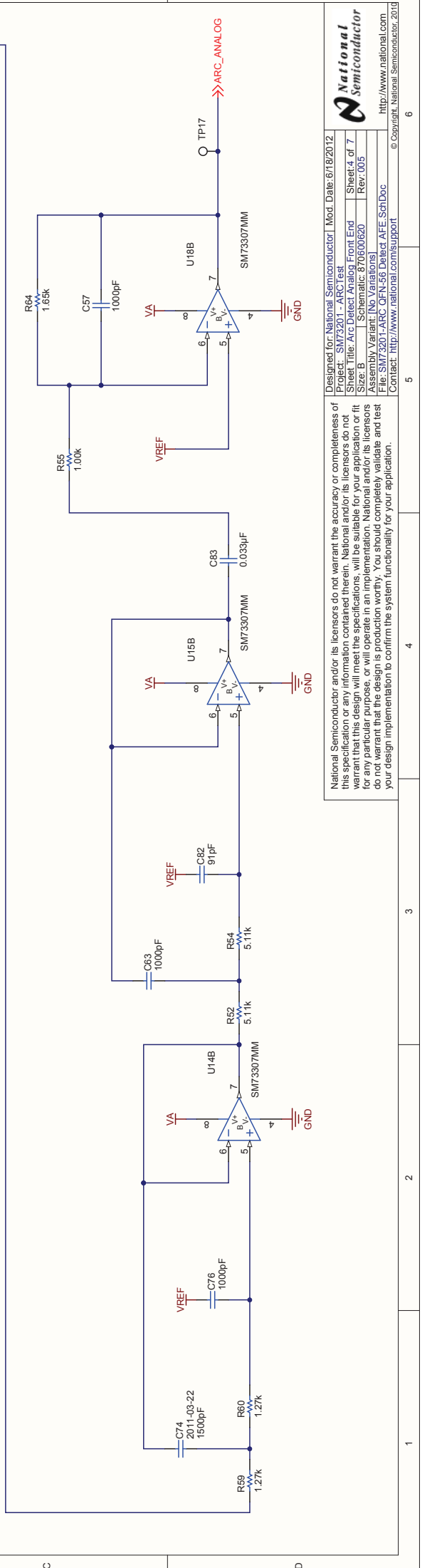


CH1 and CH2 are slots to increase the creepage distance between the primary and secondary transformer pins that may be needed for safety certification (the creepage requirement is voltage dependent)
 12.5mm creepage on reference board design



National Semiconductor and/or its licensors do not warrant the accuracy or completeness of this sheet for any particular application. It is the responsibility of the user to verify that this design will meet the specification and will be suitable for its application or fit for any particular purpose, or will operate in an implementation. National and/or its licensors do not warrant that the design is production worthy. You should completely validate and test your design implementation to confirm the system functionality for your application.

Designed for: National Semiconductor | Mod. Date: 6/18/2012
 Project: SM73201 - ARC Test
 Sheet Title: Arc Detect Analog Front End | Sheet: 4 of 7
 Size: B | Schematic: 870600620 | Rev: 005
 Assembly Variant: No Variations
 File: SM73201-ARC QFN-56 Detect AFE SchDoc
 Contact: <http://www.national.com/support>
 © Copyright, National Semiconductor, 2013