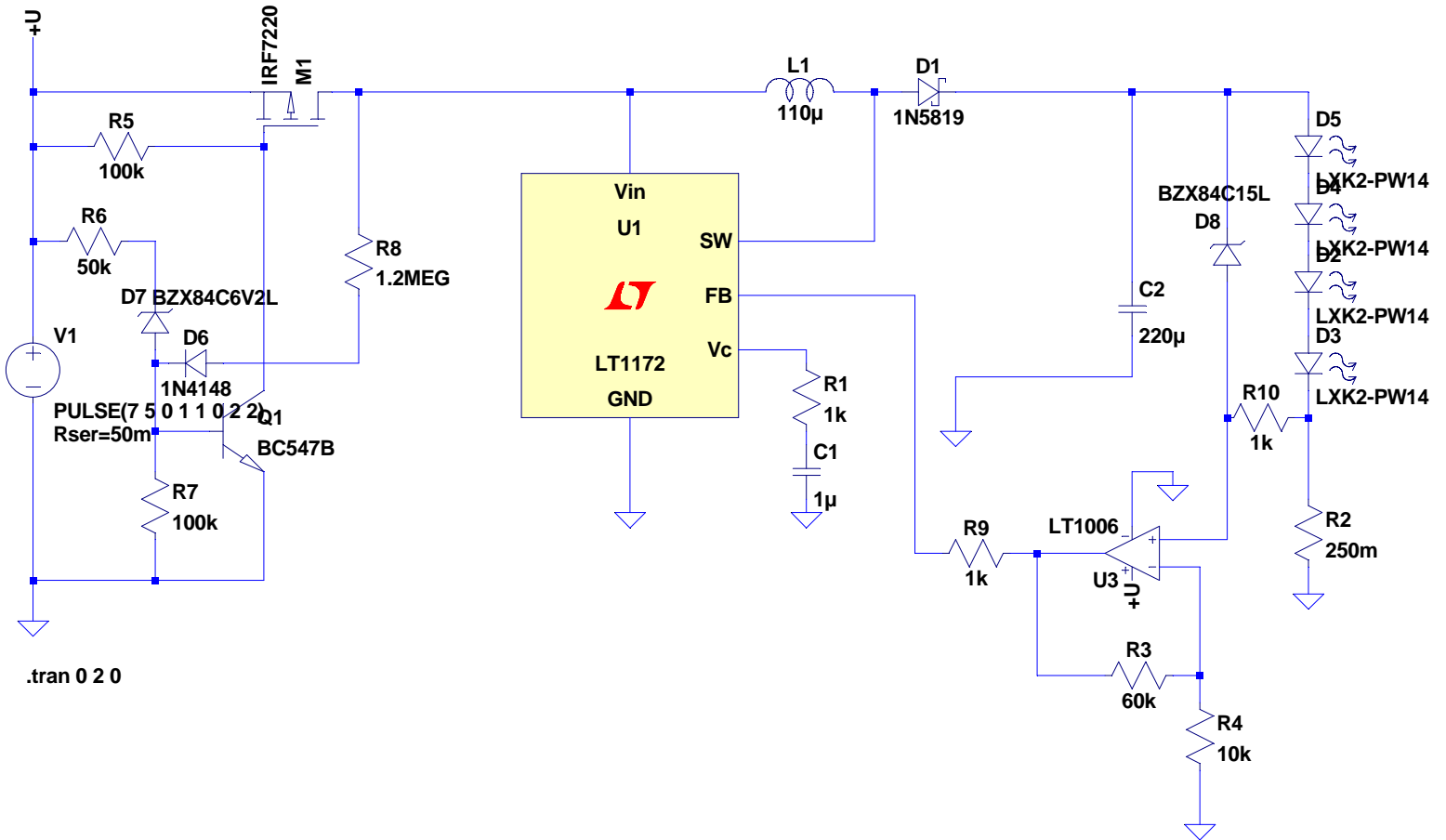


.params Uvar = 8
.include IRF4905.lib



.tran 0 2 0