

1-3 System configuration

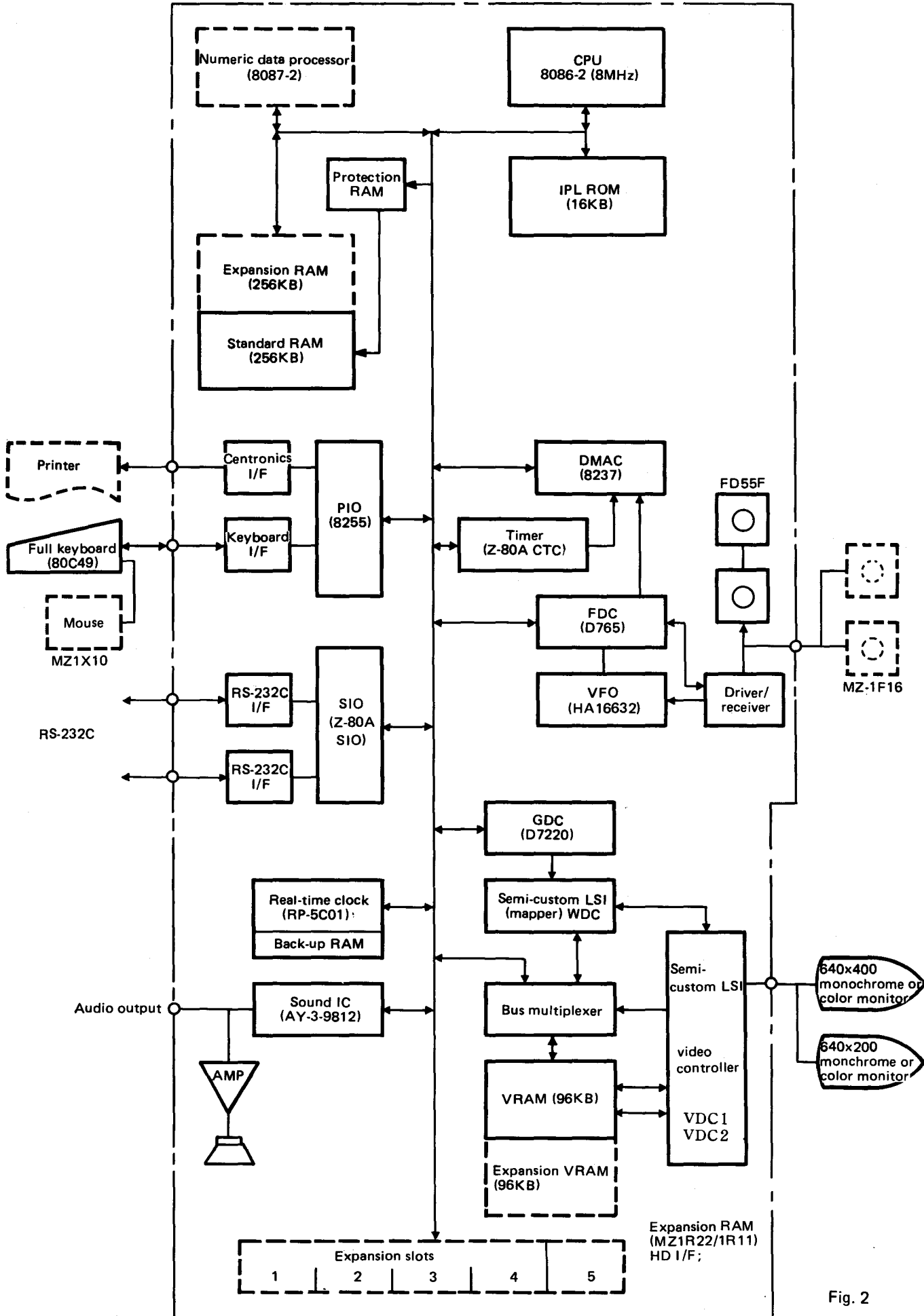


Fig. 2