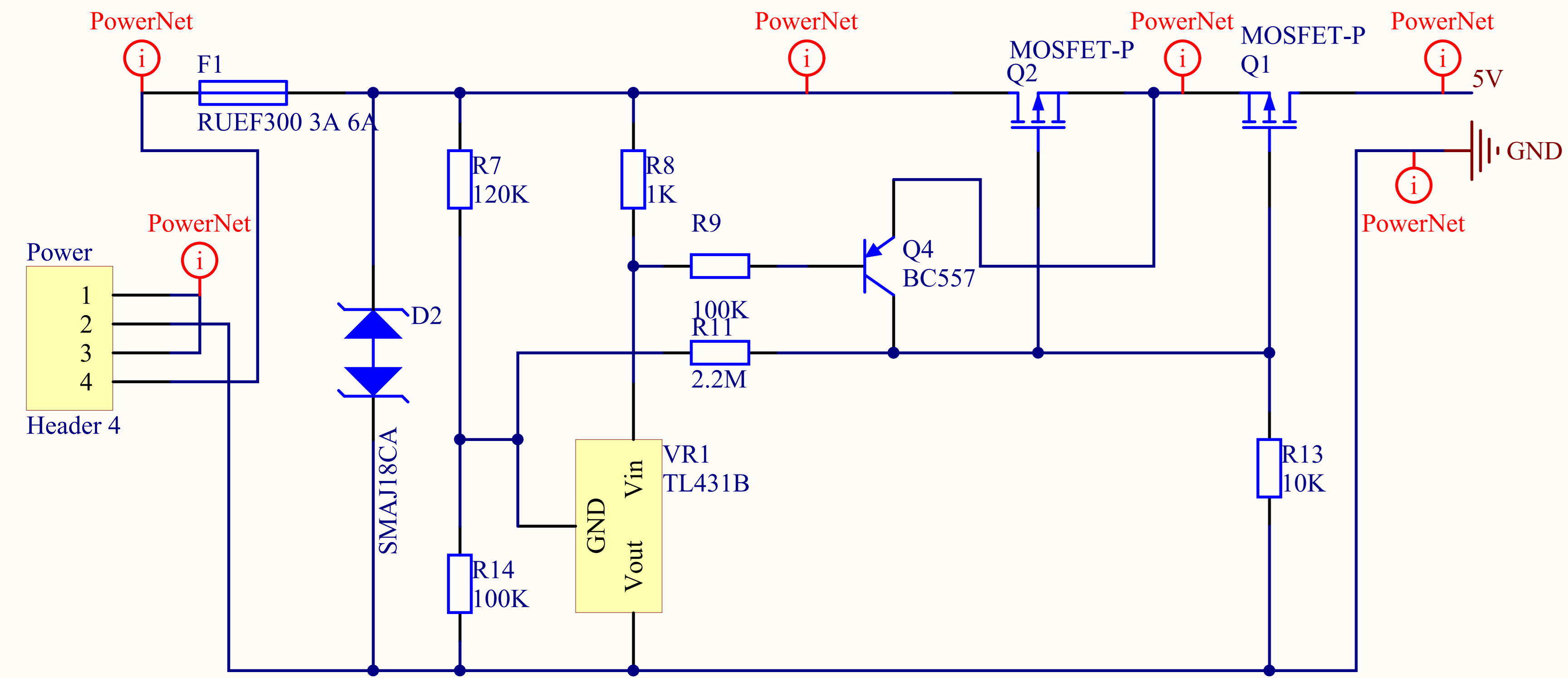
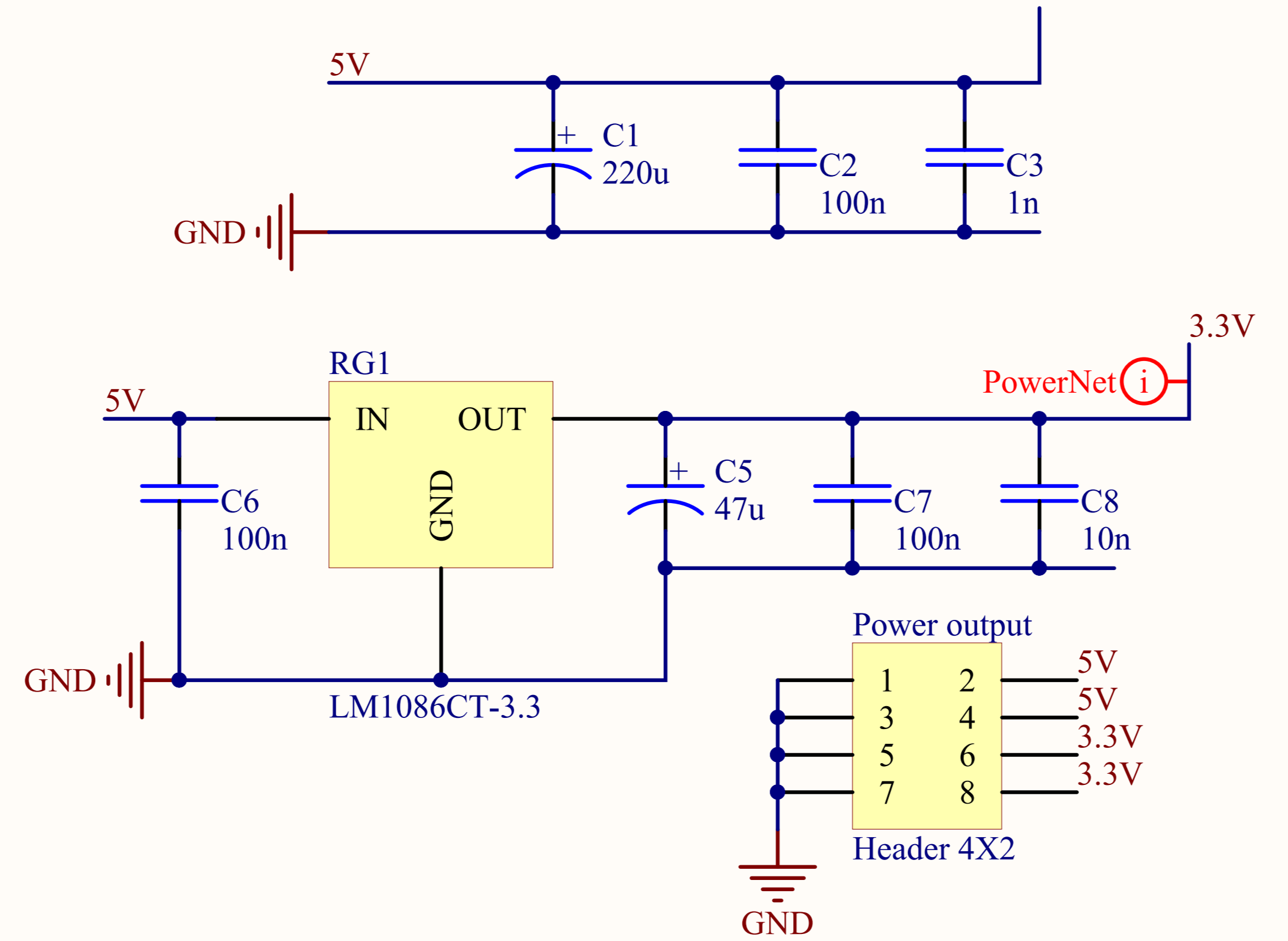


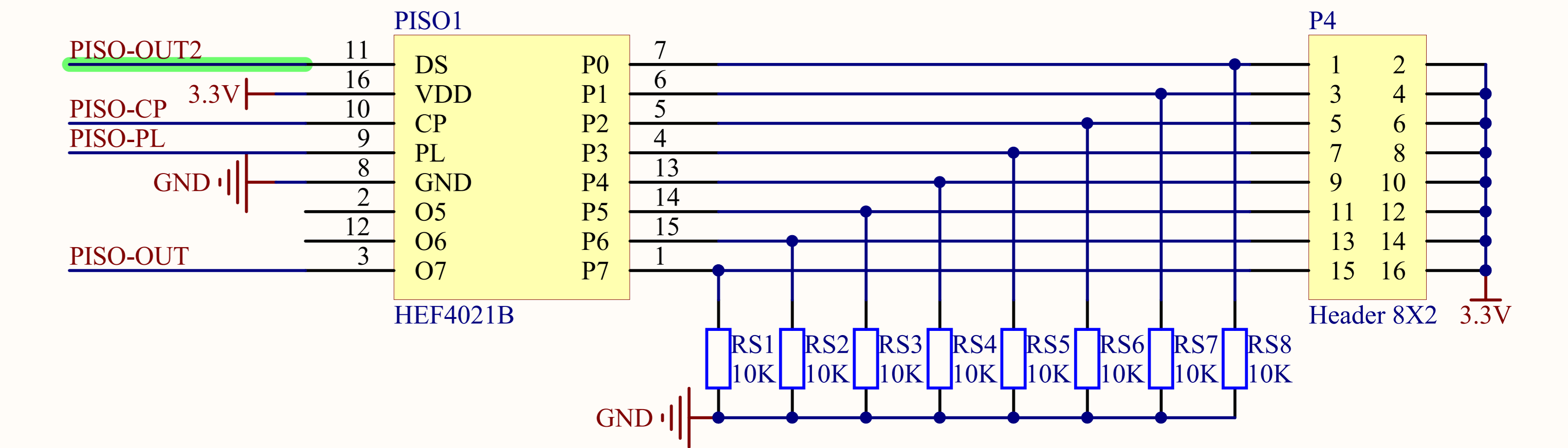
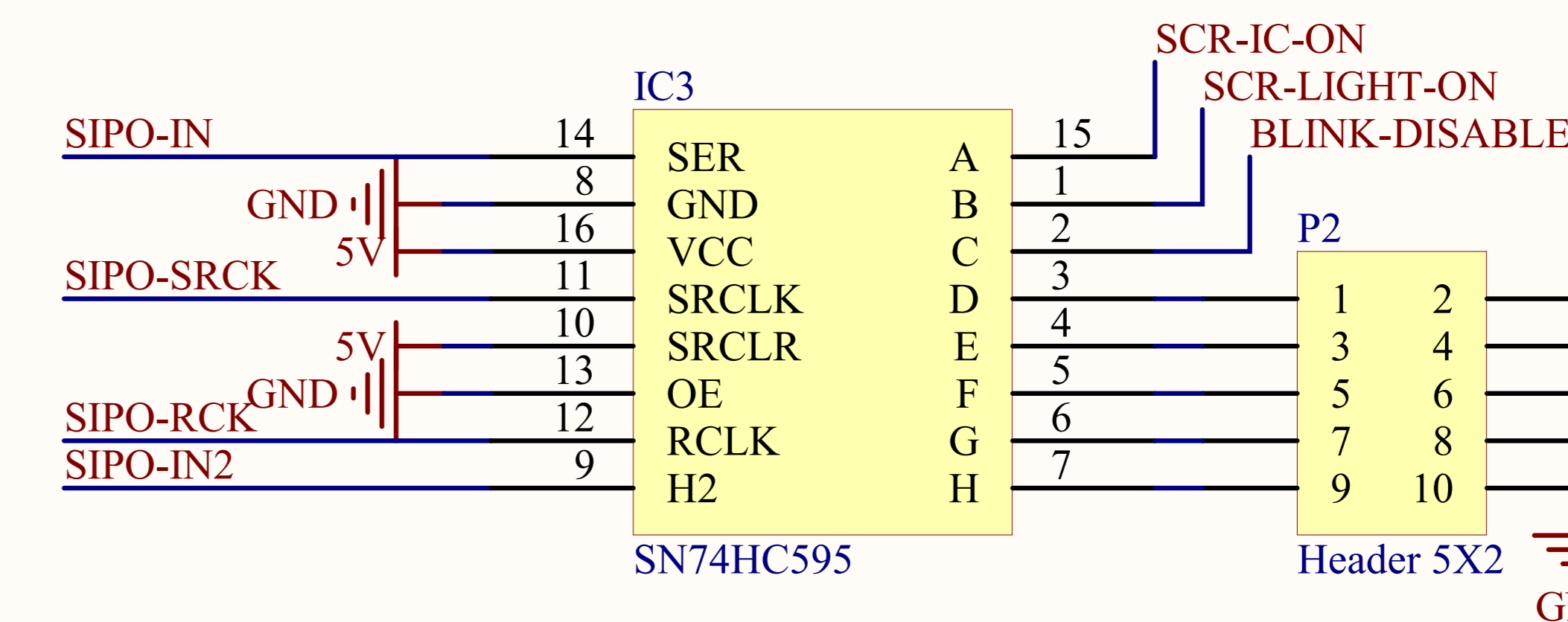
Overvoltage, polarity and short protection



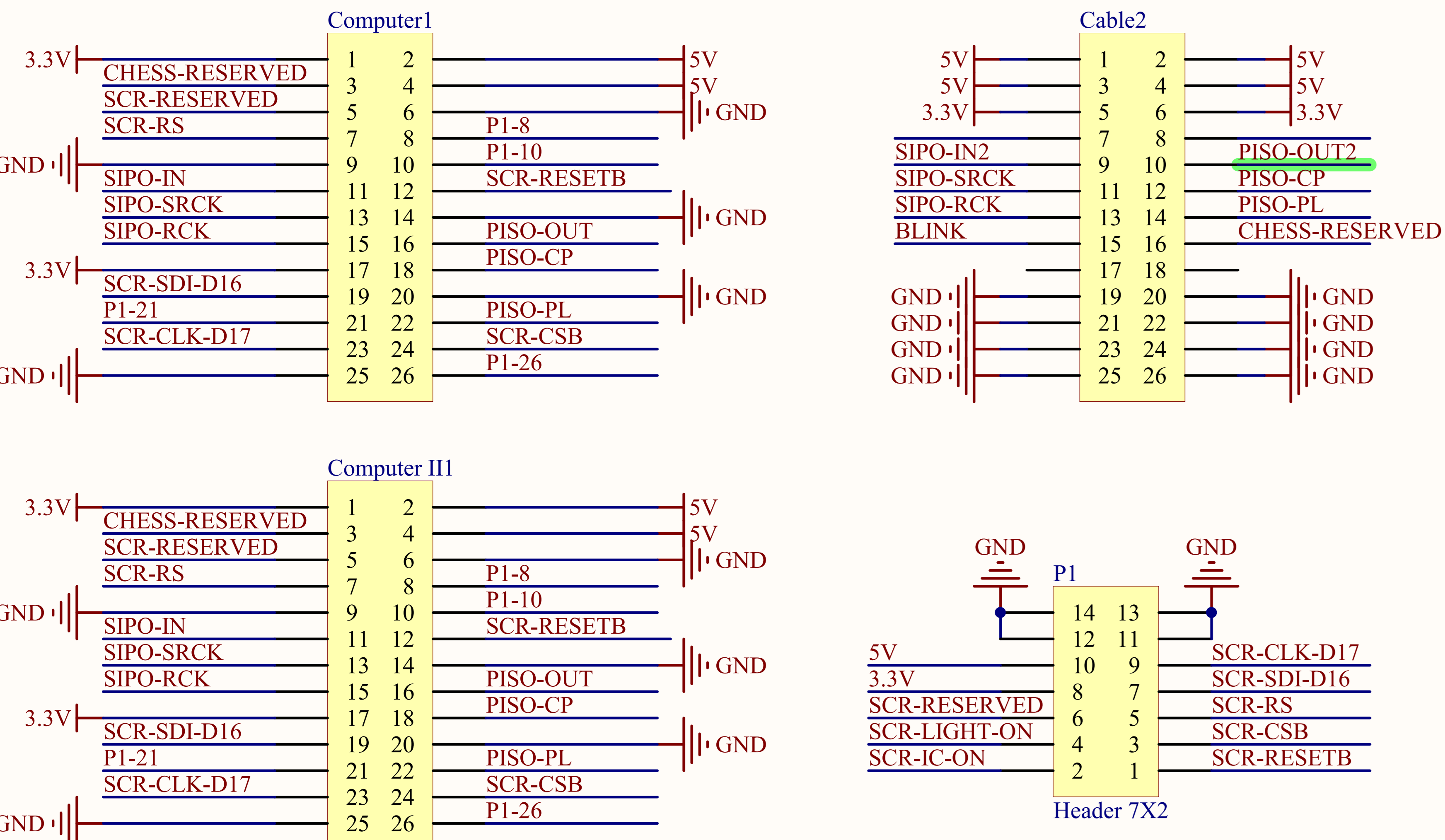
Power



Extra IO



Connectors



Blink animation during boot

