

10Base-T/100Base-TX Application

Figure 1-1 and 1-2 illustrate the two types of the specific magnetic interconnect and how to connect with Davicom DM9161BI. These magnetic are not pin-to-pin compatible. Please must be considered when using the DM9161BI in auto-MDIX mode.

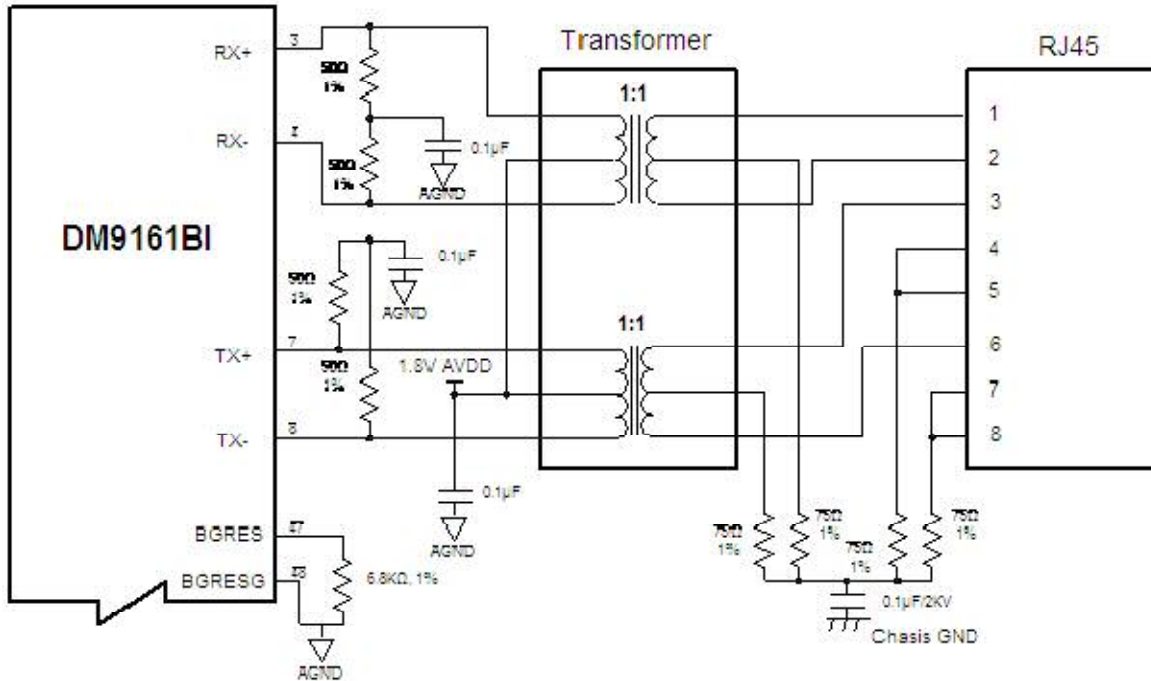


Figure 1-1

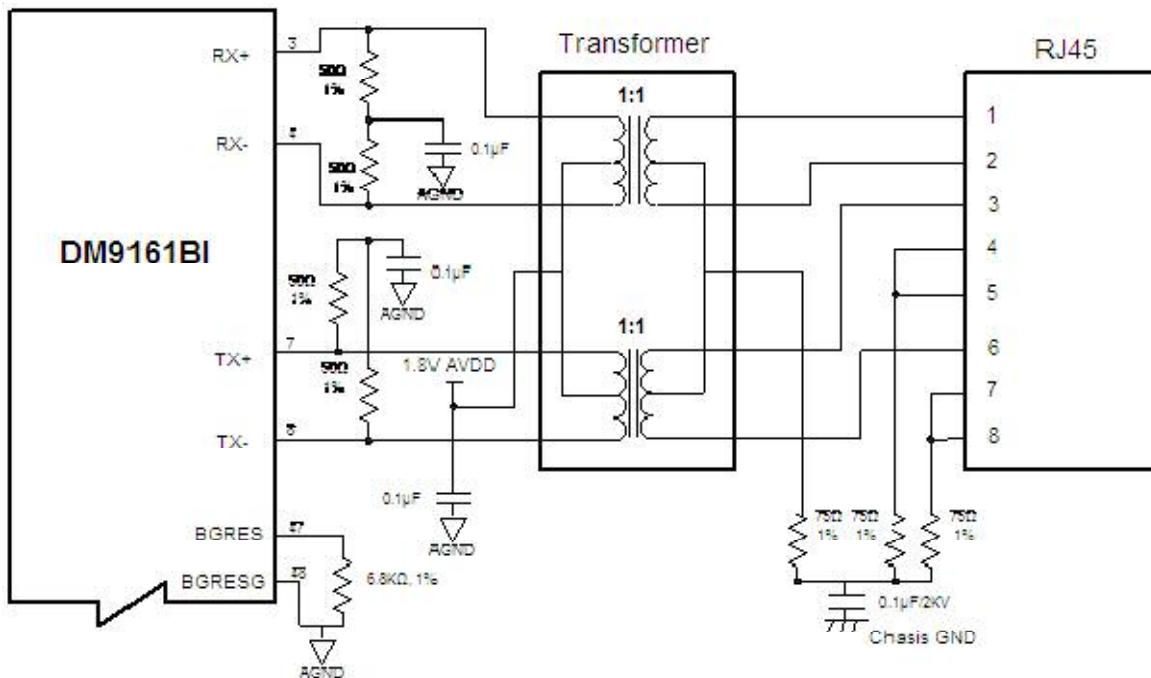


Figure 1-2