



Eccentric Diaphragm Pumps for Gas / Air SP 200 EC / 250 EC / 270 EC



SP 200 EC-LC



SP 270 EC-LC



SP 250 EC
SP 250 EC-DB



SP 270 EC
SP 270 EC-DB

Product Features

- diaphragm micro pump for air and gas
- applicable as vacuum pump or pressure pump
- electric motor driven
- available in 5 / 9 / 12 volt dc
- minimal current consumption
- oil free / maintenance free
- virtually leak tight
- extremely small pocket size
- reduced vibrations
- low noise
- lightweight

Applications

- Air sampling / gas measurement / gas metering
- Portable gas detector pump for safety devices
- Patient Monitoring / patient analyzer
- Personal gas detector / gas monitor
- Exhaust gas analyser
- Pneumatics
- Pipetting devices
- Fuel cell



Schwarzer
Precision

Am Lichtbogen 7 • 45141 Essen • Germany
Phone: +49 201 31697-0 • Fax: +49 201 31697-29
e-mail: info@schwarzer.com • <http://www.schwarzer.com>



Eccentric Diaphragm Pumps for Gas / Air

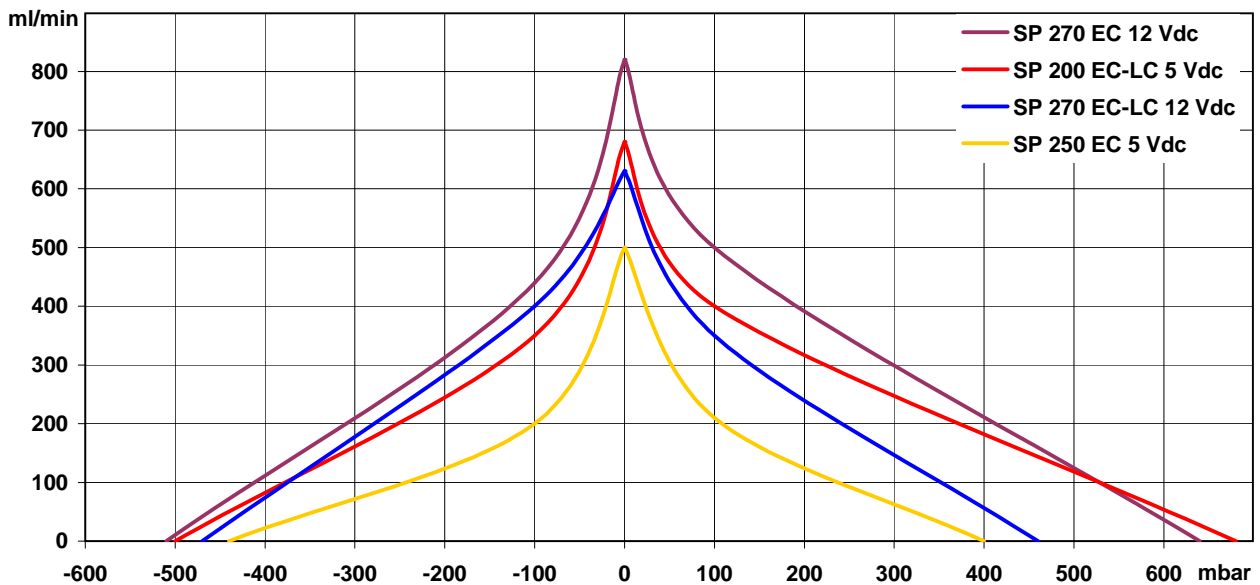
SP 200 EC / 250 EC / 270 EC

The pumps listed below represent a typical selection of our wide range of eccentric pumps and are intended for initial tests. Customised versions for your individual application would be made without extra costs - please contact us!

| Designation | SP 200 EC-LC | | SP 250 EC | | SP 270 EC | | | SP 270 EC-LC | | |
|----------------------------------|--------------|---------------|------------|---------------------------------|-----------|---------|-----------|--------------|---------|---------|
| Operating Voltage* | 5 Vdc | | 5 Vdc | | 3 Vdc | 5 Vdc | 12 Vdc | 5 Vdc | 9 Vdc | 12 Vdc |
| Art.No. | 7s55025 | | 7s55050 | | 7s55100 | 7s55076 | 7s55077 | 7s55087 | 7s55044 | 7s55084 |
| Pneumatic Performance | | | | | | | | | | |
| Free Flow [ml/min] | 680 | | 500 | | 800 | 750 | 820 | 520 | 500 | 630 |
| flow at: | | | | | | | | | | |
| 100 mbar [ml/min] | 400 | | 210 | | 450 | 400 | 500 | 260 | 250 | 350 |
| max. Pressure [mbar] | 680 | | 400 | | 500 | 510 | 640 | 350 | 400 | 460 |
| flow at: | | | | | | | | | | |
| -100 mbar [ml/min] | 350 | | 200 | | 400 | 350 | 440 | 270 | 280 | 400 |
| max. Vacuum [mbar] | -500 | | -440 | | -500 | -600 | -510 | -400 | -400 | -470 |
| Motor / Power Consumption | | | | | | | | | | |
| Motor Type | standard | iron core | skew wound | skew wound | | | iron core | | | |
| | optional | - | brushless | double ball bearing / brushless | | | - | | | |
| max. Current [mA] | | 130 | 60 | 140 | 65 | 55 | 100 | 70 | 50 | |
| Construction | | | | | | | | | | |
| Pump Head | standard | PPS | | | | | | | | |
| | optional | on request | | | | | | | | |
| Diaphragm, Valves | standard | EPDM | | | | | | | | |
| | optional | FKM, Silicone | | | | | | | | |
| Weight [g] | | 17,1 | 20,4 | 30,3 | | | 25,3 | | | |

* other voltages on request

Performance Curves



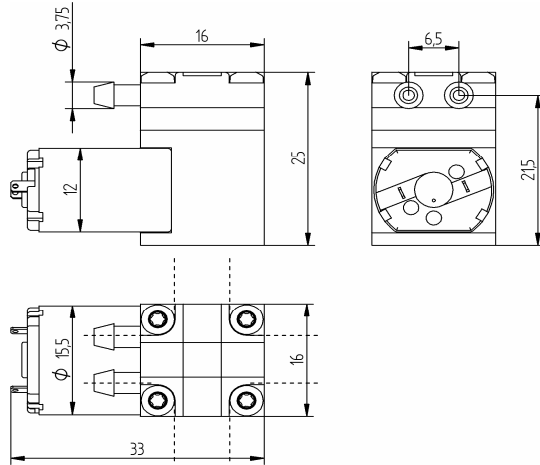
Am Lichtbogen 7 • 45141 Essen • Germany
 Phone: +49 201 31697-0 • Fax: +49 201 31697-29
 e-mail: info@schwarzer.com • http://www.schwarzer.com



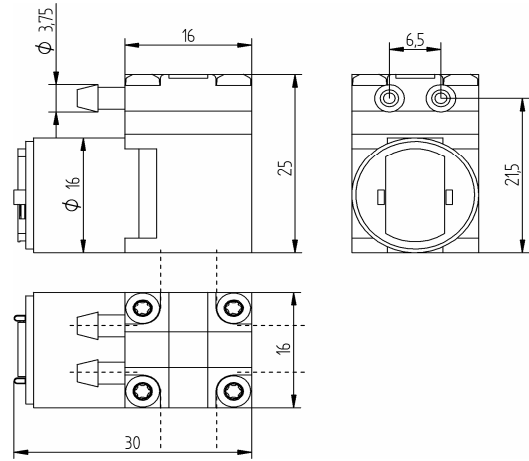
Eccentric Diaphragm Pumps for Gas / Air

SP 200 EC / 250 EC / 270 EC

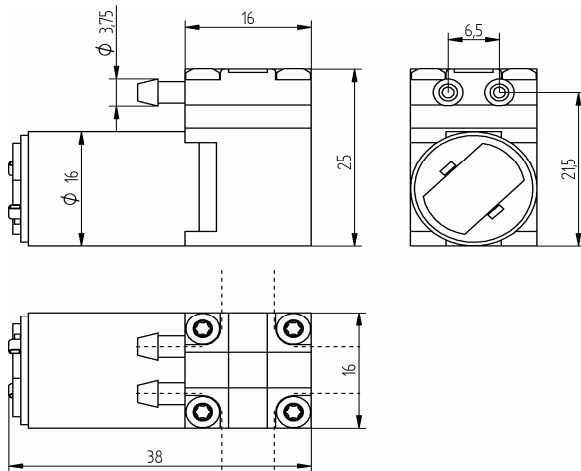
SP 200 EC-LC



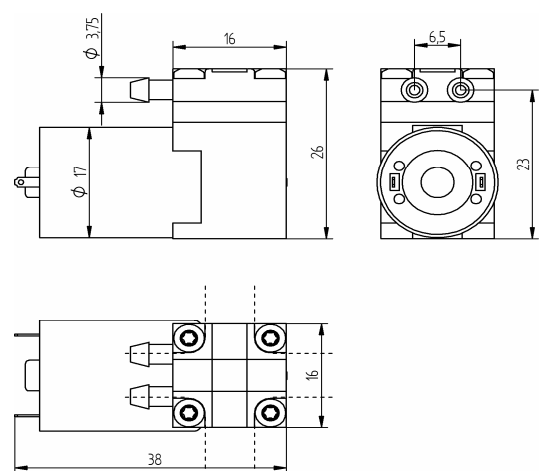
SP 250 EC / 250 EC-DB



SP 270 EC / 270 EC-DB



SP 270 EC-LC



Standard: connection ports as shown
Optional: 3 other port positions possible (see dashed lines)



Mounting clamp (metal)



suitable for:

- SP 270 EC
- SP 270 EC-LC
- SP 270 EC-TH

Art.No.: 5.58.14

Mounting clamp (plastic)



suitable for:

- SP 270 EC
- SP 270 EC-LC
- SP 270 EC-TH

Art.No.: 5.58.01

In order to reduce noise and vibration we recommend securing the pump in one of the following ways:

- with padded double sided adhesive tape
- with Velcro (hook and loop) tape for easy assembly and service
- Put the pump in a box lined with foam. Motor wires and tubing can go through a hole in the side of the box.