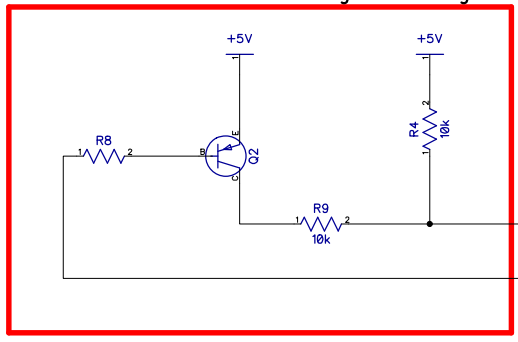


RS232 One Wire - Programmierung



ISP1			
MISO	MISO	VCC	+5V
SCK	SCK	MOSI	MOSI
RESET	RST	GND	GND