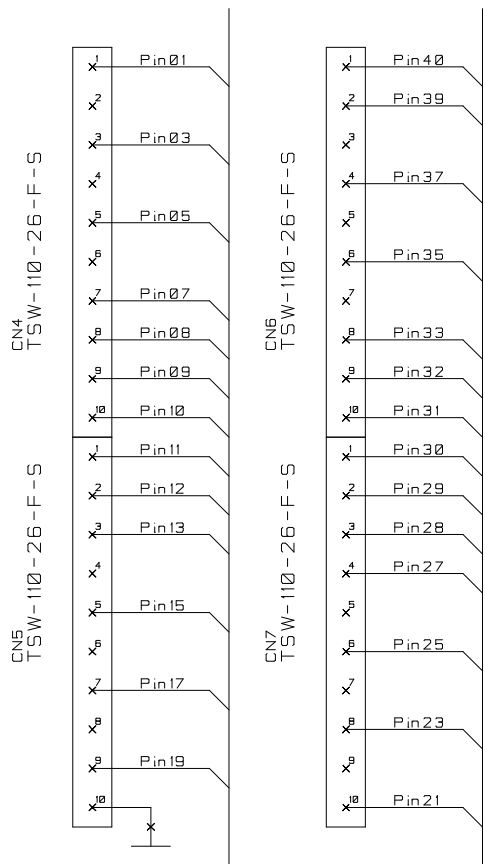
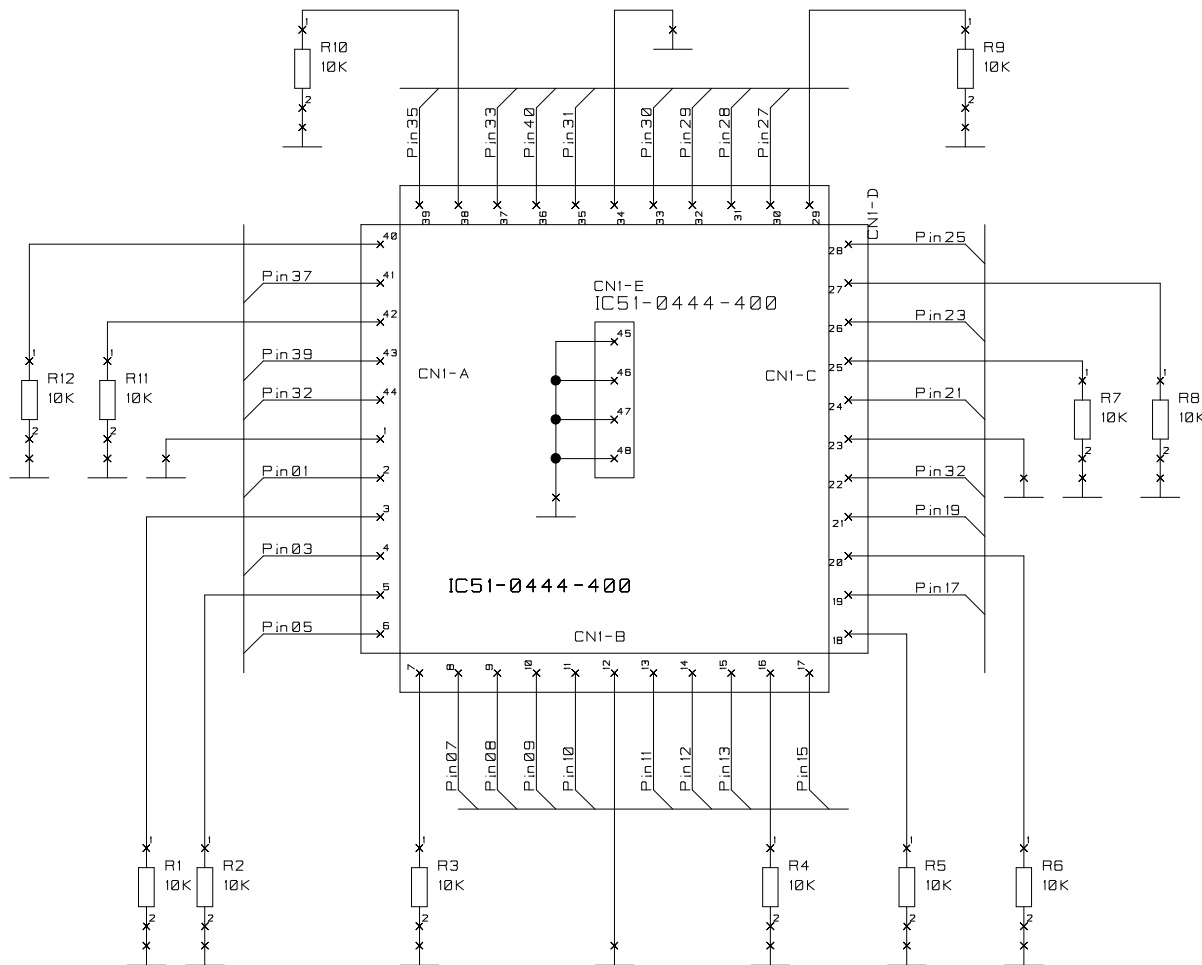


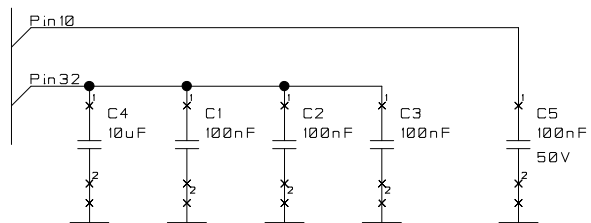
DIP 40 1:1
Connector



PLCC44 Mach Socket



Decoupling Caps



Box for Comments:

- MP1 x Position pad
- MP2 x Position pad
- MP3 x Position pad
- MP4 x Position pad

Board number:	---
Size:	
Project:	---
Name of Sheet:	---
Release:	1.0.0
Date:	18.01.2010
Project-number:	---
Sheets:	1 of 1
Project Leader:	---
Engineer:	---
File:	PLCC44-Mach2.scm