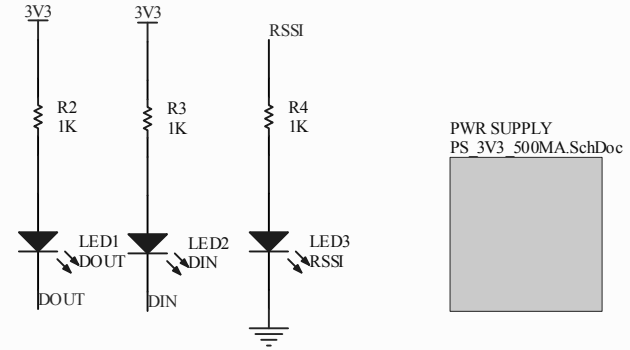
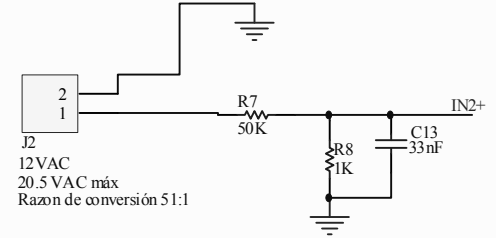
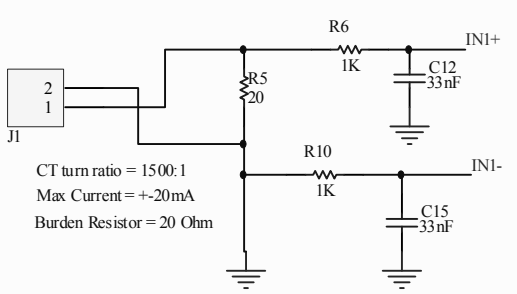
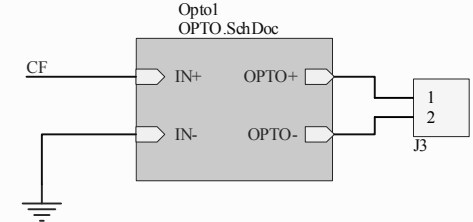
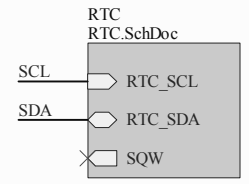
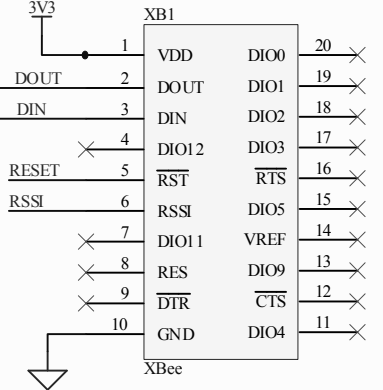
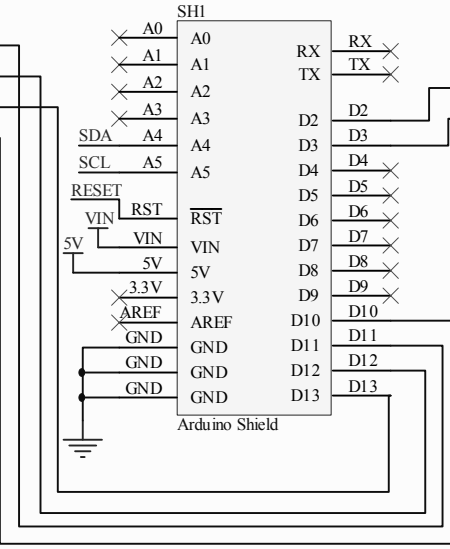
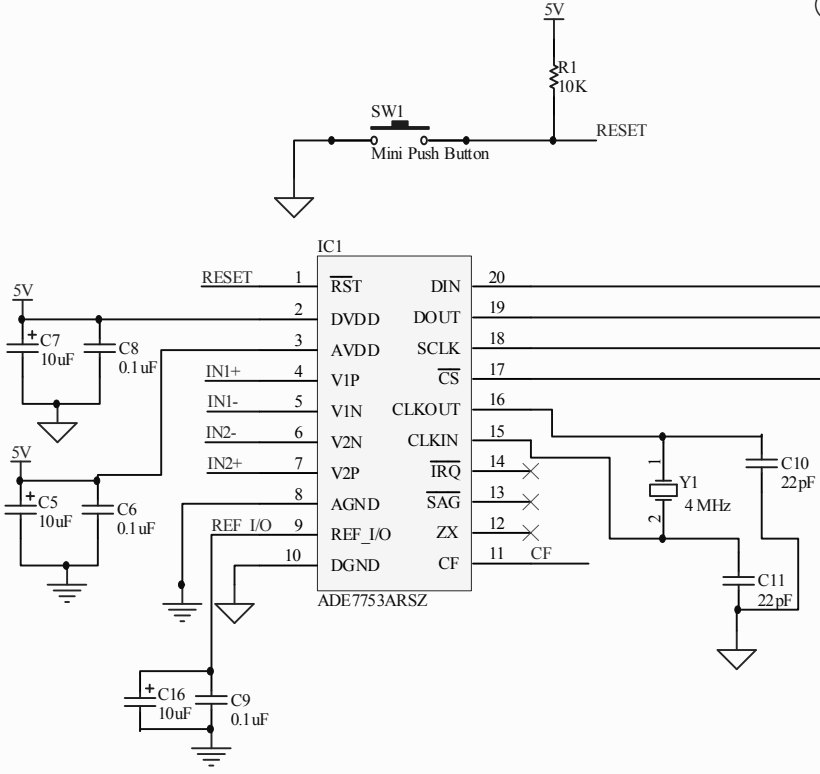


®MCI Electronics
 Copyright © 2011
 www.olimex.cl



PWR SUPPLY
 PS_3V3_500MA.SchDoc



Title		
ARDUINO ENERGY METER SHIELD		
Size	Number	Revision
A4		1.1
Date:	01/03/2011	Sheet of
File:	C:\Documents and Settings\...EnergyMeterShield	Drawn By: EDUARD MARTIN