

U_Sheet2
SK-FM3-176PMC-ETHERNET_02-MCU_SCHDOC



U_Sheet3
SK-FM3-176PMC-ETHERNET_03-USB_CAN_TSC_HMI_SCHDOC



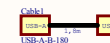
U_Sheet4
SK-FM3-176PMC-ETHERNET_04-JTAG_UART_SCHDOC



U_Sheet5
SK-FM3-176PMC-ETHERNET_05-ETHERNET_SCHDOC



U_Sheet6
SK-FM3-176PMC-ETHERNET_06-MOTOR_SCHDOC



.....
/* (C) Fujitsu Semiconductor Europe GmbH */
/* The schematic is provided without charge for demonstration purposes */
/* only, subject to alterations. */
/* FSEU does not warrant that the deliverables do not infringe any */
/* third party intellectual property right (IPR). In the event that */
/* the deliverables infringe a third party IPR it is the sole */
/* responsibility of the customer to obtain necessary licenses to */
/* continue the usage of the deliverable. */
/* FSEU disclaims any warranty and liability. */
/* (V1.3) */
.....

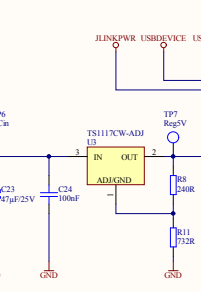
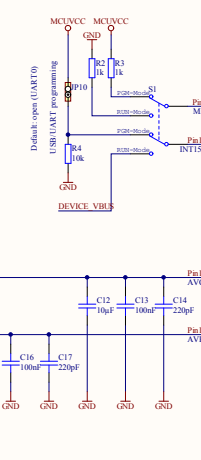
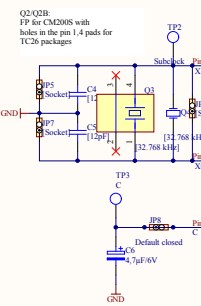
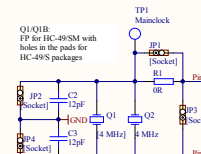
All parts with values in [brackets] are not assembled.

Drillhole in every corner
of the board

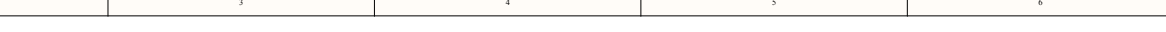
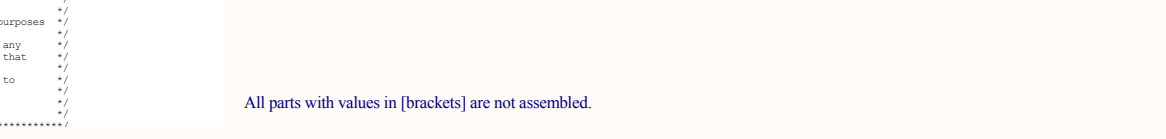
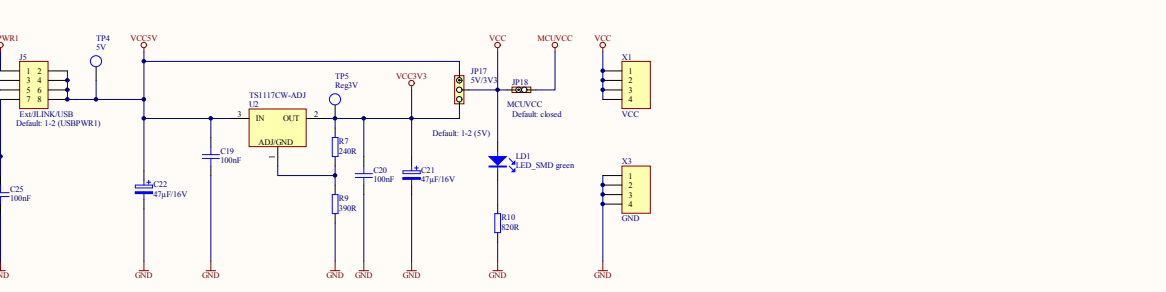


	Product	SK-FM3-176PMC-ETHERNET	
	Sheet	1 of 6	Doc Revision: V1.3
	Drawn by:	Manuel Schreiner	HW Revision: V1
	File:	SK-FM3-176PMC-ETHERNET_D1_SchDoc	Date: 04.05.2012

Fujitsu Semiconductor Europe GmbH
http://www.emea.fujitsu.com
www.fujitsu.com



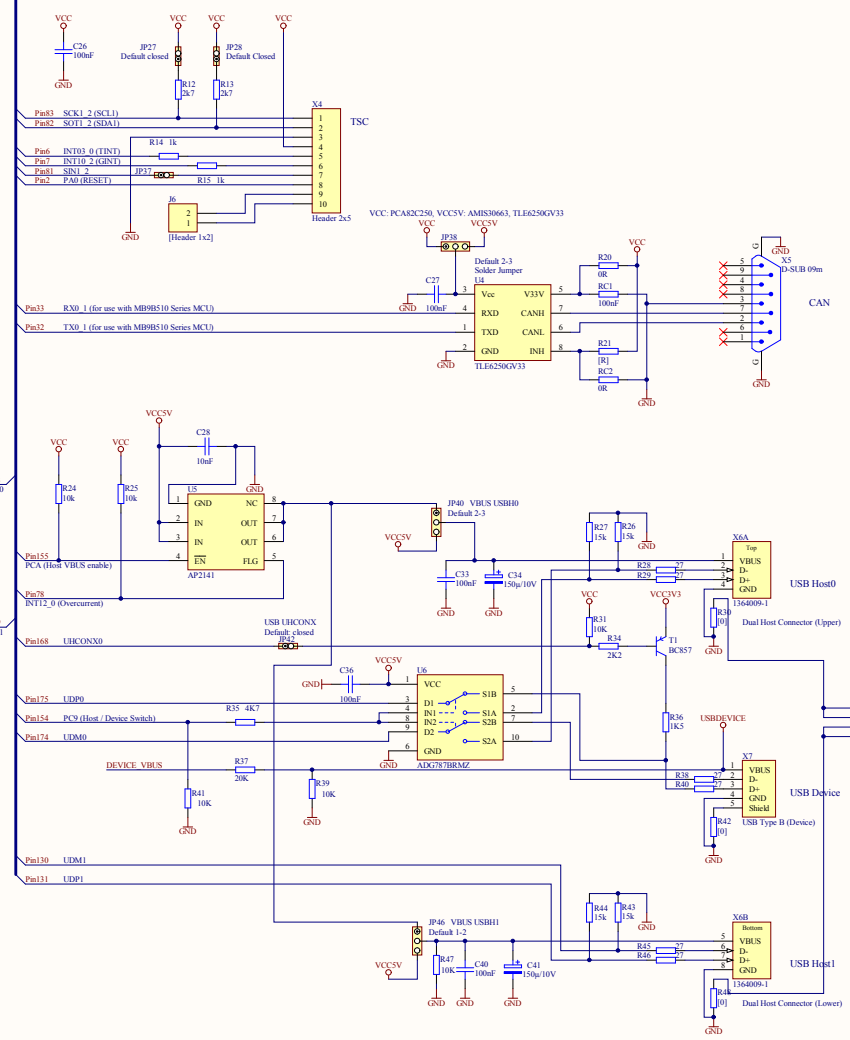
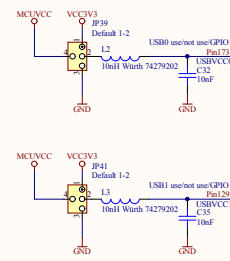
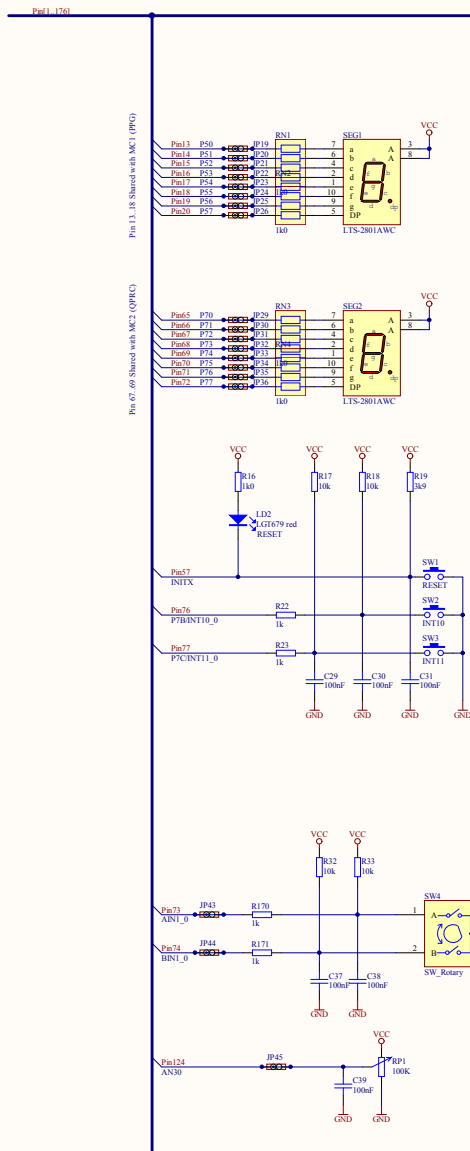
Pin	Signal	Pin	Signal	Pin	Signal	Pin	Signal
1	MCUVCC	45	VCC	132	GND	GND	1
2	MCUVCC	46	VCC	133	GND	GND	2
3	MCUVCC	47	VCC	134	GND	GND	3
4	MCUVCC	48	VCC	135	GND	GND	4
5	MCUVCC	49	VCC	136	GND	GND	5
6	MCUVCC	50	VCC	137	GND	GND	6
7	MCUVCC	51	VCC	138	GND	GND	7
8	MCUVCC	52	VCC	139	GND	GND	8
9	MCUVCC	53	VCC	140	GND	GND	9
10	MCUVCC	54	VCC	141	GND	GND	10
11	MCUVCC	55	VCC	142	GND	GND	11
12	MCUVCC	56	VCC	143	GND	GND	12
13	MCUVCC	57	VCC	144	GND	GND	13
14	MCUVCC	58	VCC	145	GND	GND	14
15	MCUVCC	59	VCC	146	GND	GND	15
16	MCUVCC	60	VCC	147	GND	GND	16
17	MCUVCC	61	VCC	148	GND	GND	17
18	MCUVCC	62	VCC	149	GND	GND	18
19	MCUVCC	63	VCC	150	GND	GND	19
20	MCUVCC	64	VCC	151	GND	GND	20
21	MCUVCC	65	VCC	152	GND	GND	21
22	MCUVCC	66	VCC	153	GND	GND	22
23	MCUVCC	67	VCC	154	GND	GND	23
24	MCUVCC	68	VCC	155	GND	GND	24
25	MCUVCC	69	VCC	156	GND	GND	25
26	MCUVCC	70	VCC	157	GND	GND	26
27	MCUVCC	71	VCC	158	GND	GND	27
28	MCUVCC	72	VCC	159	GND	GND	28
29	MCUVCC	73	VCC	160	GND	GND	29
30	MCUVCC	74	VCC	161	GND	GND	30
31	MCUVCC	75	VCC	162	GND	GND	31
32	MCUVCC	76	VCC	163	GND	GND	32
33	MCUVCC	77	VCC	164	GND	GND	33
34	MCUVCC	78	VCC	165	GND	GND	34
35	MCUVCC	79	VCC	166	GND	GND	35
36	MCUVCC	80	VCC	167	GND	GND	36
37	MCUVCC	81	VCC	168	GND	GND	37
38	MCUVCC	82	VCC	169	GND	GND	38
39	MCUVCC	83	VCC	170	GND	GND	39
40	MCUVCC	84	VCC	171	GND	GND	40
41	MCUVCC	85	VCC	172	GND	GND	41
42	MCUVCC	86	VCC	173	GND	GND	42
43	MCUVCC	87	VCC	174	GND	GND	43
44	MCUVCC	88	VCC	175	GND	GND	44



/* (C) Fujitsu Semiconductor Europe GmbH
 /* The schematic is provided without charge for demonstration purposes
 /* only, subject to alterations
 /* FSEU does not warrant that the deliverables do not infringe any
 /* third party intellectual property right (IPR). In the event that
 /* the deliverables infringe a third party IPR it is the sole
 /* responsibility of the customer to obtain necessary licenses to
 /* continue the usage of the deliverable.
 /* FSEU disclaims any warranty and liability.
 /* (V1.3)

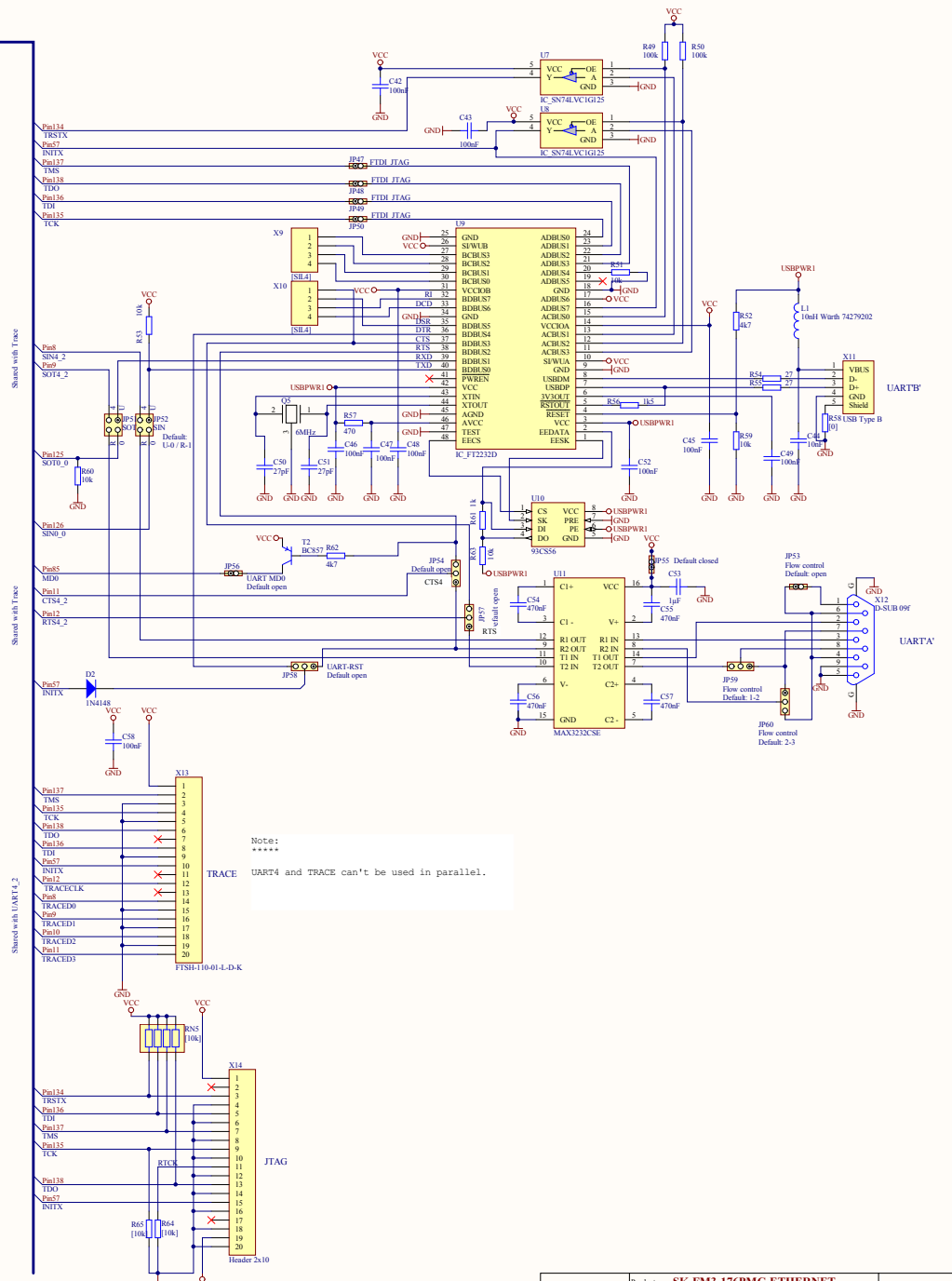
All parts with values in [brackets] are not assembled.

	Product: SK-FM3-176PMC-ETHERNET	Fujitsu Semiconductor Europe GmbH
	Sheet: 2 of 6	Doc Revision: V1.3
	Drawn by: [Name]	HW Revision: V1.1
	Date: 04.05.2012	File: SK-FM3-176PMC-ETHERNET_02.MCU1SCHDOC



/- - - - -
 /- (C) Fujitsu Semiconductor Europe GmbH /-
 /- The schematic is provided without charge for demonstration purposes /-
 /- only, subject to alterations. /-
 /- FSEU does not warrant that the deliverables do not infringe any /-
 /- third party intellectual property right (IPR). In the event that /-
 /- the deliverables infringe a third party IPR it is the sole /-
 /- responsibility of the customer to obtain necessary licenses to /-
 /- continue the use of the deliverable. /-
 /- FSEU disclaims any warranty and liability. /-
 /- (V1.3) /-
 /- - - - -

All parts with values in [brackets] are not assembled.



Shared with Trace

Shared with Trace

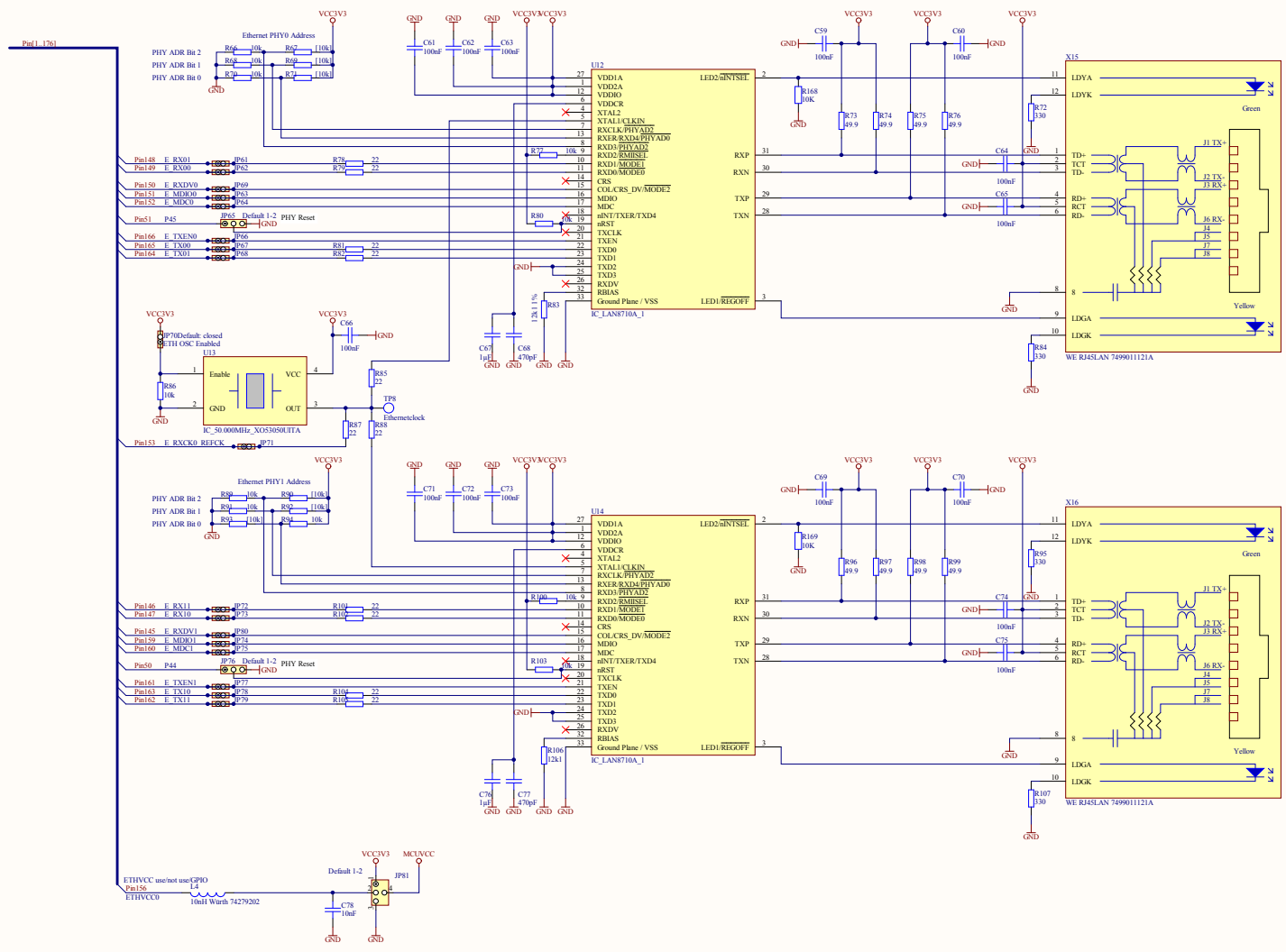
Shared with UART_2

Shared with JTAG

Note: ***** TRACE UART4 and TRACE can't be used in parallel.

.....
 /* (C) Fujitsu Semiconductor Europe GmbH
 /* The schematic is provided without charge for demonstration purposes
 /* only, subject to alterations.
 /* FSEU does not warrant that the deliverables do not infringe any
 /* third party intellectual property right (IPR). In the event that
 /* the deliverables infringe a third party IPR it is the sole
 /* responsibility of the customer to obtain necessary licenses to
 /* continue the usage of the deliverable.
 /* FSEU disclaims any warranty and liability.
 /* (V1.3)

All parts with values in [brackets] are not assembled.



```

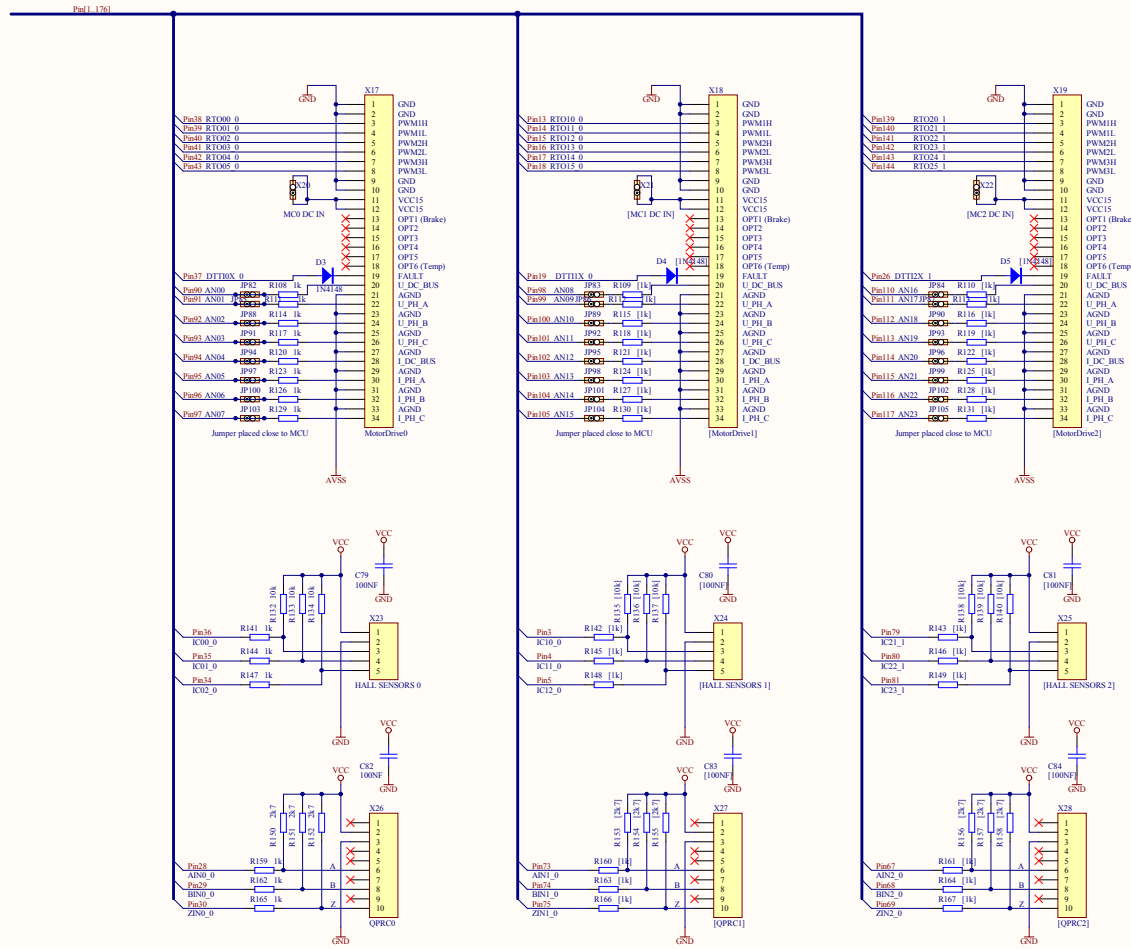
/...../
/*                                     */
/* (C) Fujitsu Semiconductor Europe GmbH */
/* The schematic is provided without charge for demonstration purposes */
/* only, subject to alterations. */
/* FSEU does not warrant that the deliverables do not infringe any */
/* third party intellectual property right (IPR). In the event that */
/* the deliverables infringe a third party IPR it is the sole */
/* responsibility of the customer to obtain necessary licenses to */
/* continue the usage of the deliverable. */
/* FSEU disclaims any warranty and liability. */
/* (V1.3) */
/...../

```

All parts with values in [brackets] are not assembled.

	Product: SK-FM3-176PMC-ETHERNET	Doc Revision: V1.3
	Sheet: 5 of 6	HW Revision: V1
	Drawn by: [Name]	Date: 04.05.2012
	Eg: SK-FM3-176PMC-ETHERNET_05-ETHERNET_SCHDOC	

Fujitsu Semiconductor Europe GmbH
http://www.fujitsu.com
mailto:sk_fm3_176pmc_ethernet@fujitsu.com



.....
 /* (C) Fujitsu Semiconductor Europe GmbH
 /* The schematic is provided without charge for demonstration purposes
 /* only, subject to alterations.
 /* FSEU does not warrant that the deliverables do not infringe any
 /* third party intellectual property right (IPR). In the event that
 /* the deliverables infringe a third party IPR it is the sole
 /* responsibility of the customer to obtain necessary licenses to
 /* continue the usage of the deliverable.
 /* FSEU disclaims any warranty and liability.
 /* (V1.3)
 /*

All parts with values in [brackets] are not assembled.