

# Filter2:Schematic

Title: Überprüfung

## Design Specification

Filter Response: Bessel  
Filter Type: Bandpass  
Order: 16

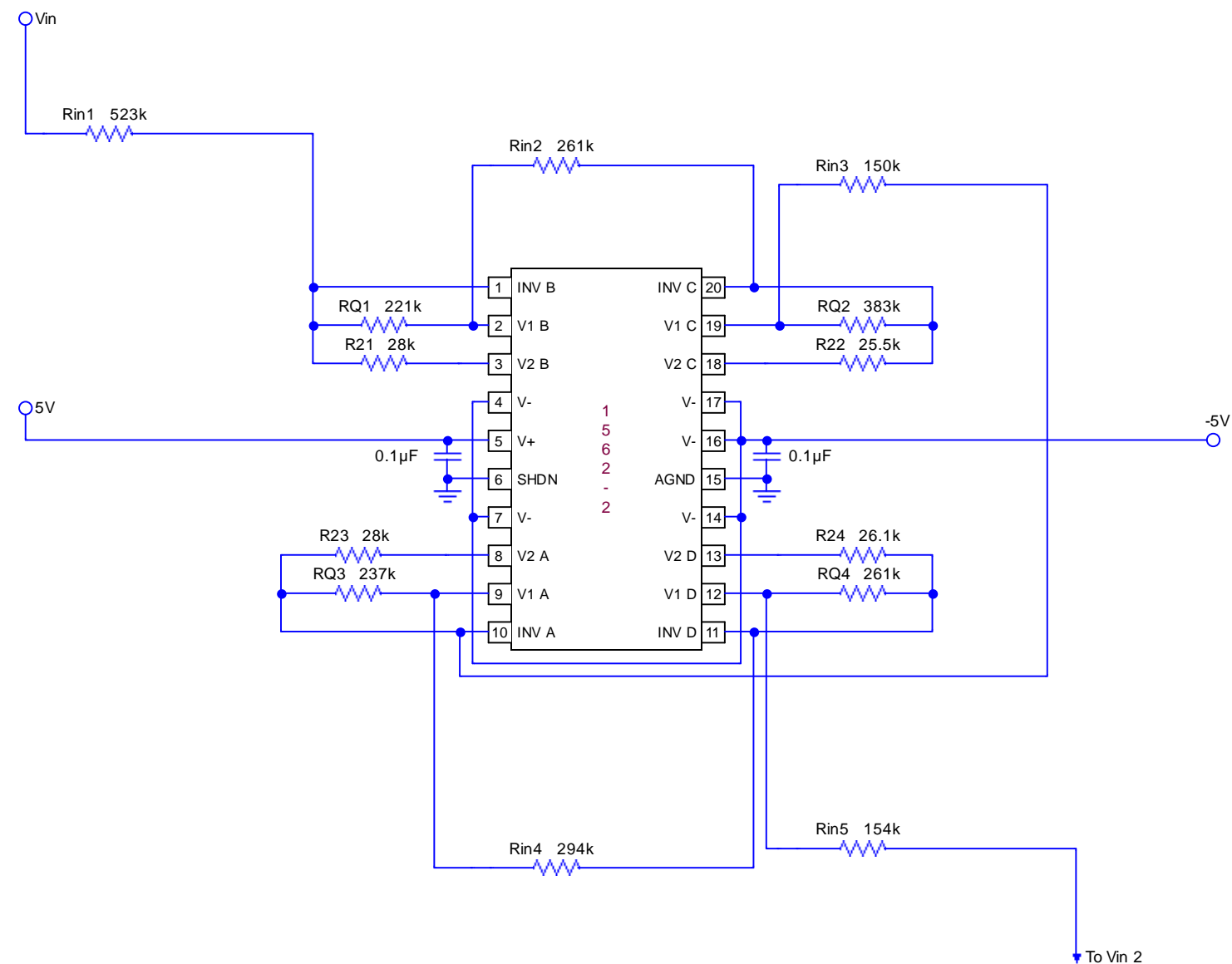
Passband Ripple: 0.000dB  
Stopband Attenuation: 100.000dB  
Center Frequency: 110.000kHz  
Passband Width: 4.000kHz  
Stopband Width: 34.905kHz

Device:LTC1562-2CG

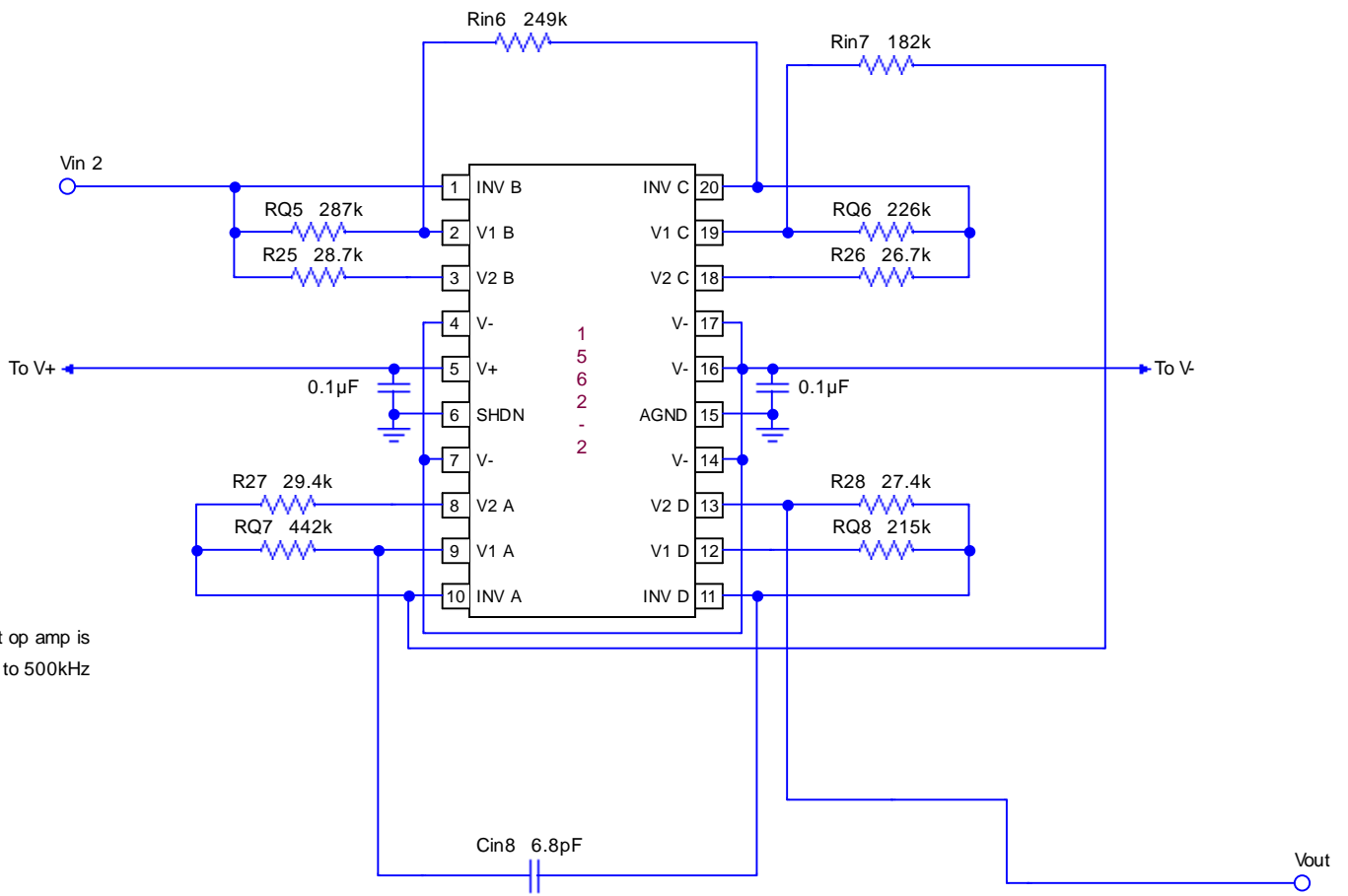
Device:LTC1562-2CG

Supply: +/-5.0V

Low Power:No



# Filter2:Schematic



Note: Output op amp is band limited to 500kHz