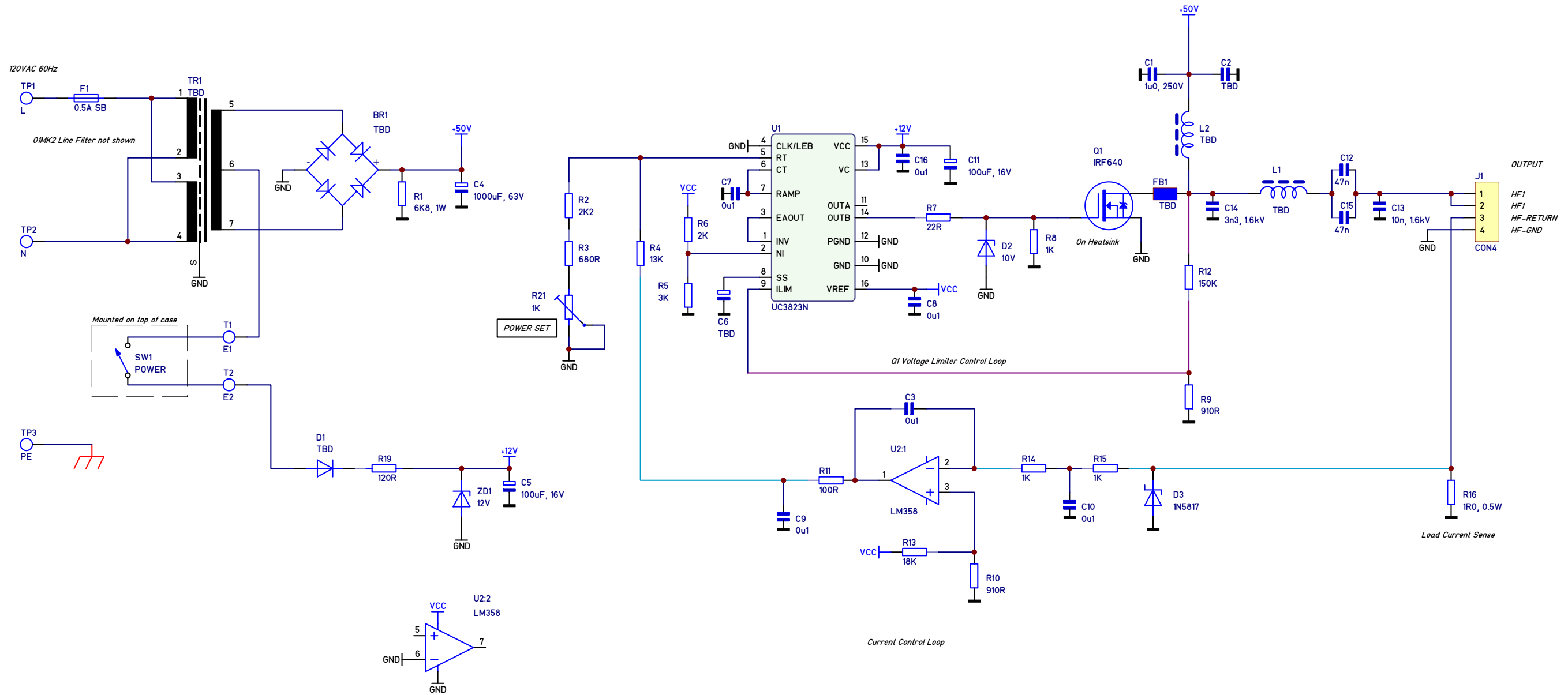


MAIN WIRING BOARD A1



Some componet values cannot be read without unsoldering

Unless otherwise specified, all values are as follows:
 resistor values are in Ohms, i.e. 0R47, 5R6, 220, 5K6, 22K
 capacitor values are in Microfarads, i.e. 220p, 0u1, 2u2, 33
 inductor values are in Microhenries, i.e. 0u22, 5u6, 68, 2m2

This drawing is our property. Duplication, unauthorized use of any kind is prohibited.

Without Approval use only for inquiry.

Preliminary Schematic

Date	Name
16-Oct-2013 07:09:58	GJO

PCB Name: Main Board		Title: SP200 Solder Station Power Supply	
PCB Nr.: 7022-0000 REVD		Used in: SP-PW1-10	
Change Index	Change Notification Nr.	Date	Name

Repl for: n/a	Build No.: n/a
Drw. Type: PCB SCHEMATIC	Prj. Nr: 13028G
Size: B	Rev: 0
Drw. Nr: 13028-STPS-E01	
File: SP200.sch	Sheet 1 of 1