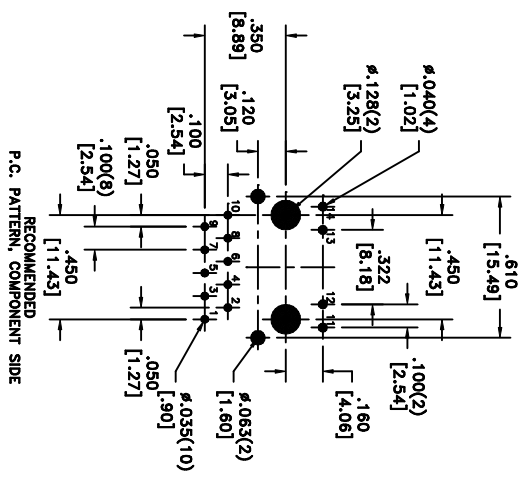
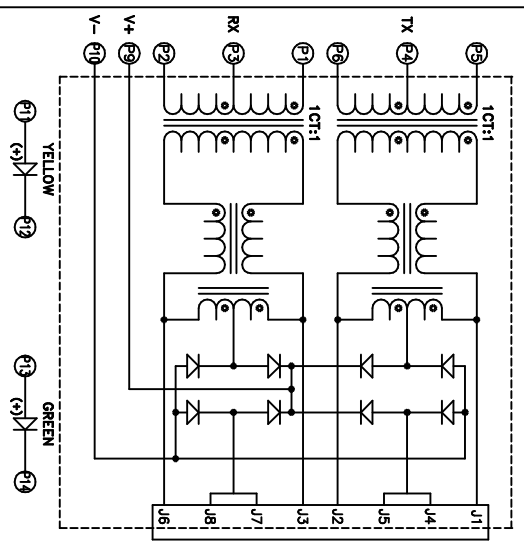
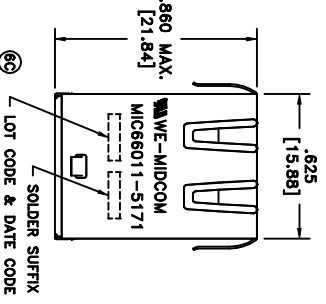
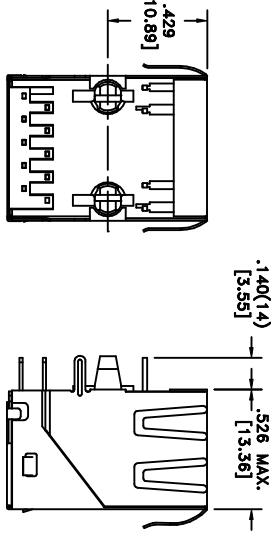
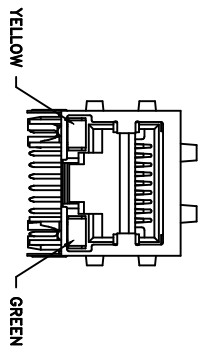


SOLDER SUFFIX	CUSTOMER TERMINAL	RoHS	LEAD(Pb)-FREE
LF3	SM100X	Yes	Yes



**ELECTRICAL SPECIFICATIONS @ 25°C unless otherwise noted:**

INDUCTANCE: 350uH min., 100KHz, 100mV, 6mADC, J1-J2; J3-J6, 1p.

DIELECTRIC RATING: 1500Vrms for 1 minute between P1-J1(the P2+P5, J2+J3).

TURNS RATIO/POLARITY: (P1-P2):(J3-J6) = 1:1, ±2%.  
(P5-P6):(J1-J2) = 1:1, ±2%.

INSERTION LOSS: -1.0dB max., 1MHz - 100MHz.

RETURN LOSS: -18dB min., 1M - 30MHz.  
-16dB min., 30M - 45MHz.  
-14dB min., 45M - 60MHz.  
-12dB min., 60M - 80MHz.

CROSSTALK: -35dB min., 1MHz - 100MHz.

COMMON MODE REJECTION: -35dB min., 1MHz - 100MHz.

OPERATING TEMPERATURE RANGE: -40°C to +85°C.

Designed to handle 350mADC and meet 802.3af.

**Midcom, Inc.**  
Wettersville, SD USA  
Toll Free: 800-643-2661  
Fax: 605-886-4486

Unless otherwise specified:  
Tolerances:  
Angles: ±1°  
Fractions: ±1/64  
Decimals: ±.010 [±.25]  
This drawing is dual dimensioned. Dimensions in brackets are in millimeters.

DRAWING TITLE  
**TRANSFORMER**  
10/100Mbps PoE

**Midcom**

DRAWING NO. **MIC66011-5171T-LF3**  
SCALE ---  
SHEET 2 OF 6  
REV. 6C 2/07

AGENCY NUMBER	UL60950-1
AGENCY NUMBER	E208930