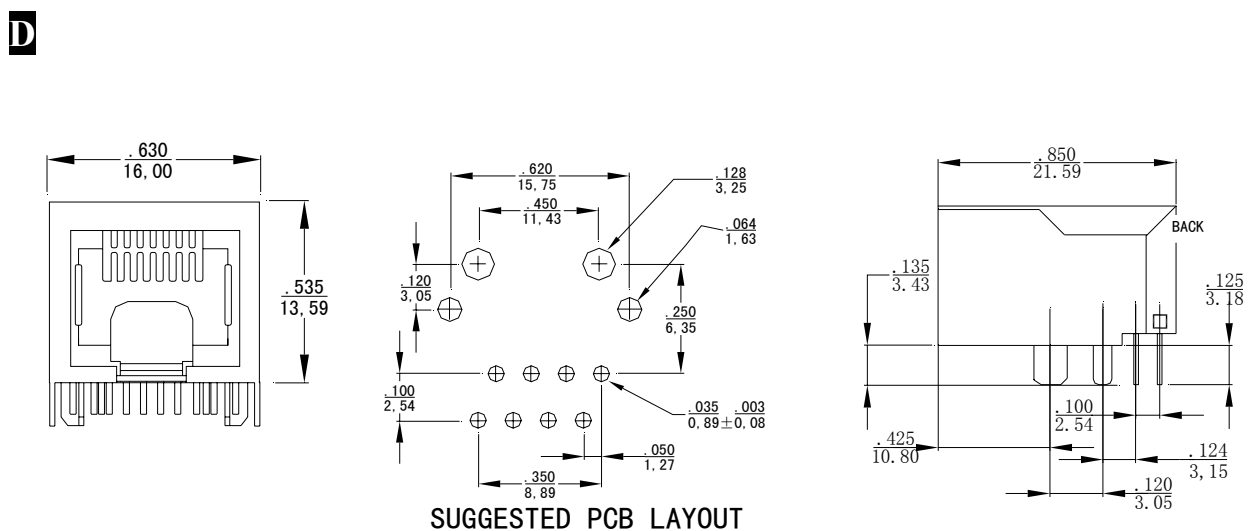
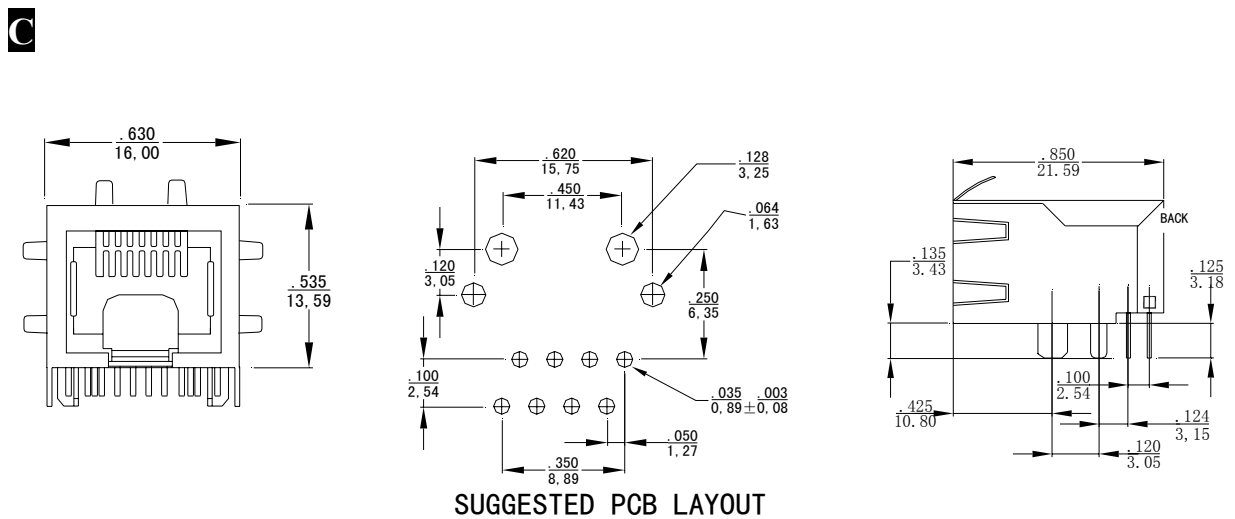
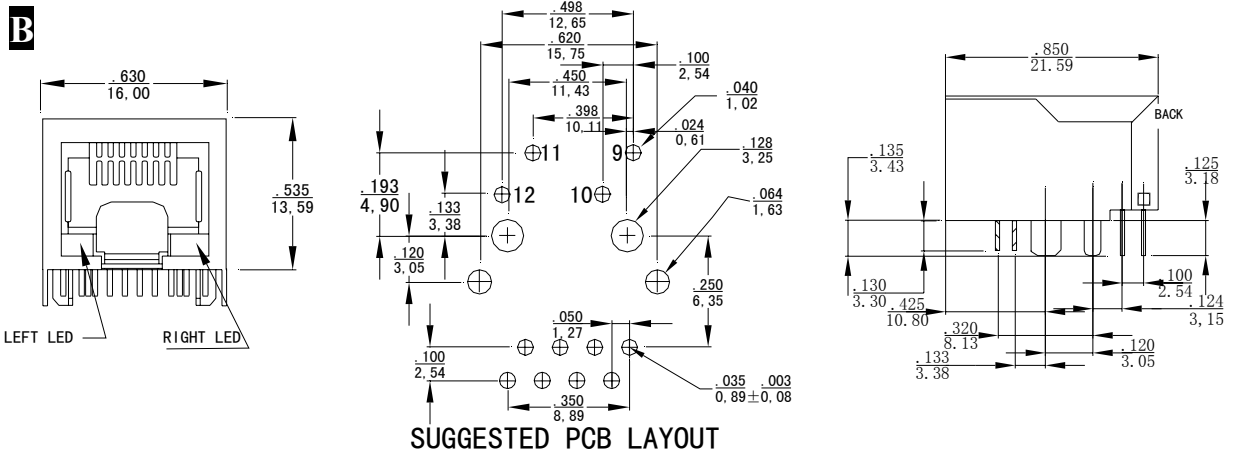




# 10/100Base-TX RJ45 Connector With Integrated Magnetics (Tab-Down)

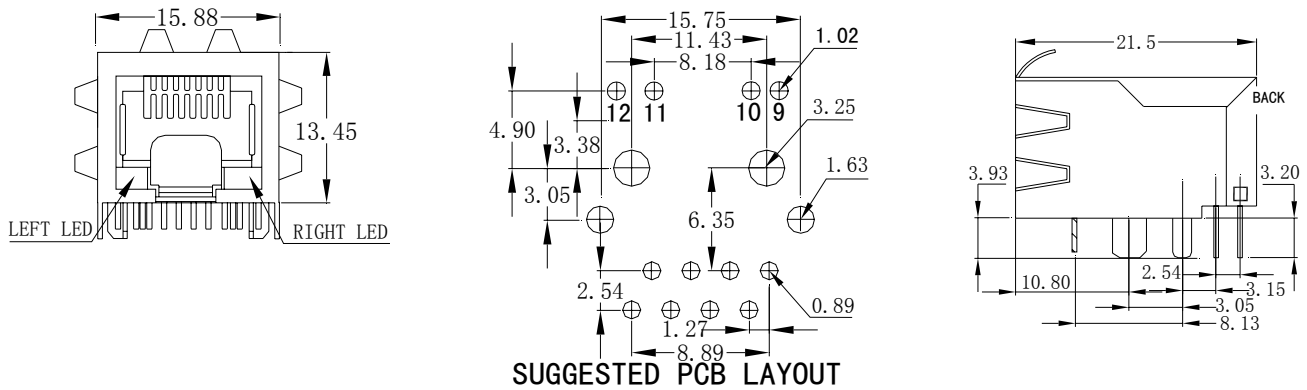
Trxcom Technology Inc



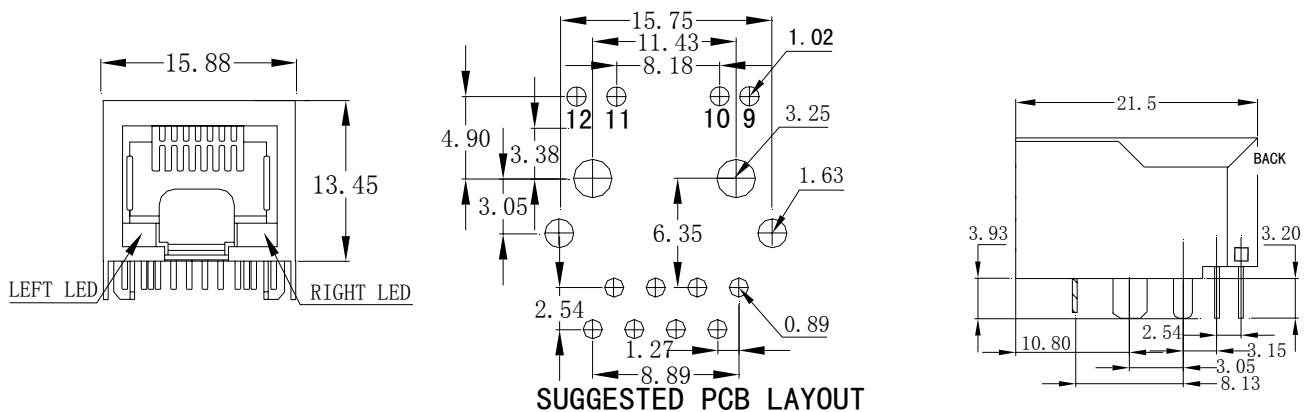
# 10/100Base-TX RJ45 Connector With Integrated Magnetics(Tab-Down)

Trxcom Technology Inc

**E**



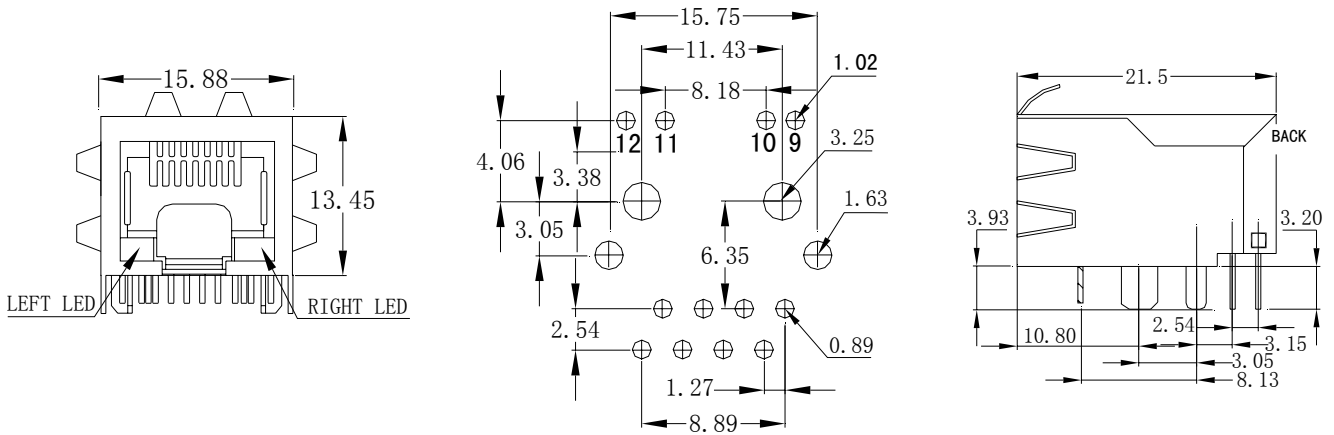
**F**



# 10/100Base-TX RJ45 Connector With Integrated Magnetics(Tab-Down)

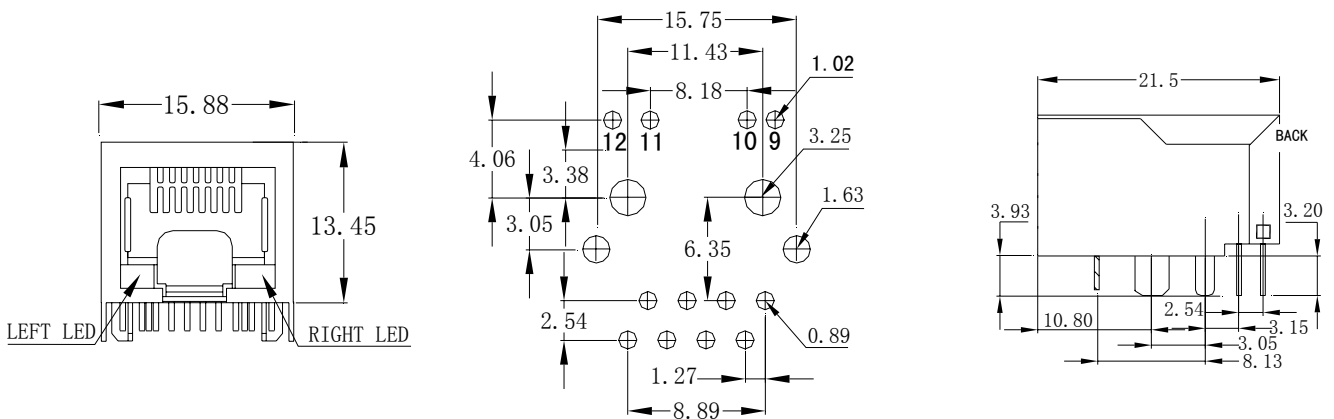
Trxcom Technology Inc

**G**



SUGGESTED PCB LAYOUT

**H**



SUGGESTED PCB LAYOUT

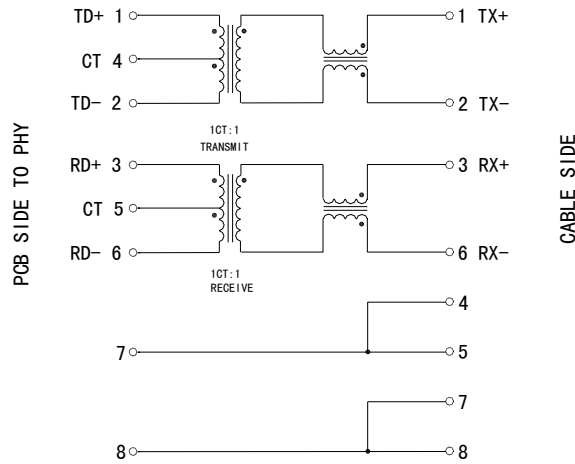
Dimensions: Inch/mm  
 Unless otherwise specified,  
 all tolerances are  $\pm 0.25^{.010}$

# 10/100Base-TX RJ45 Connector With Integrated Magnetics (Tab-Down)

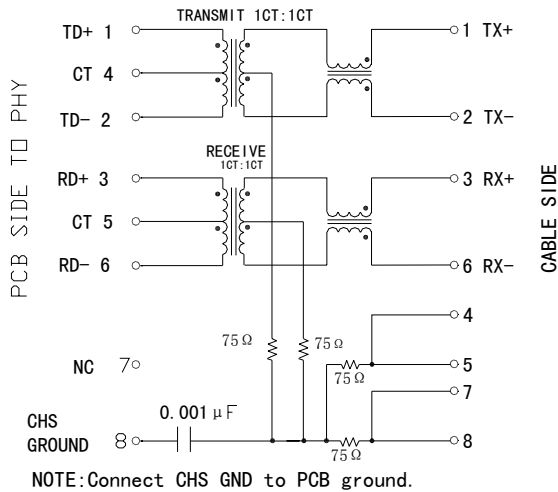
Trxcom Technology Inc

## Schematics

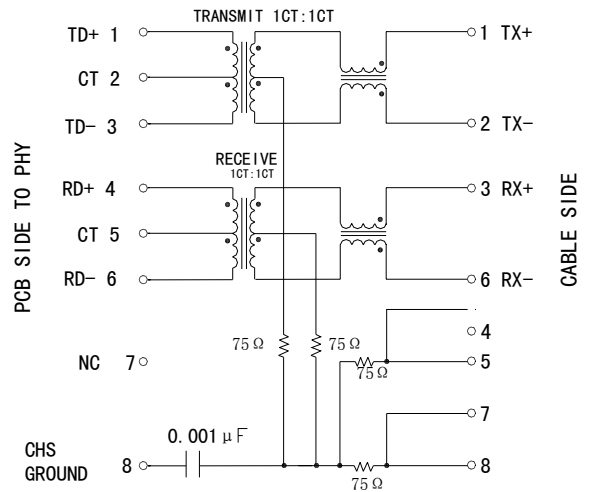
### TRJ0006



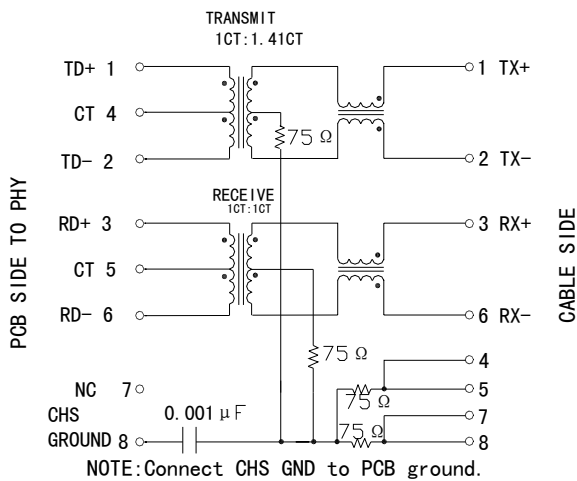
### TRJ0011



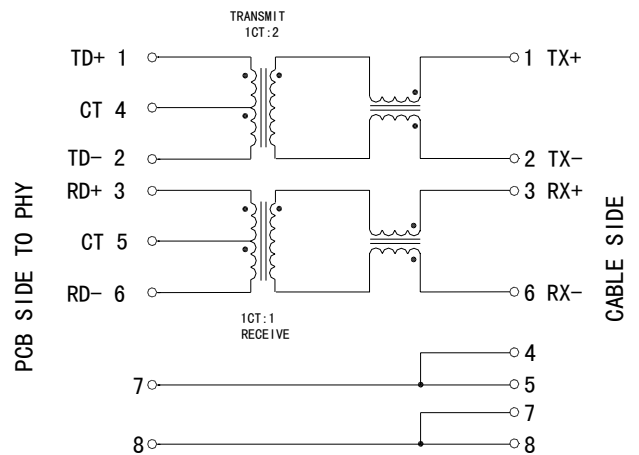
### TRJ0012



### TRJ0018



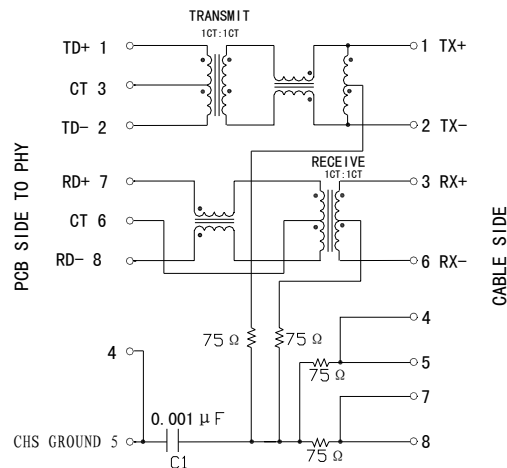
### TRJ0024



# 10/100Base-TX RJ45 Connector With Integrated Magnetics (Tab-Down)

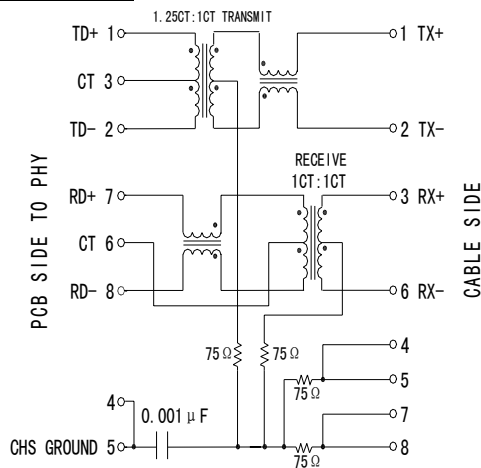
Trxcom Technology Inc

## TRJ0026

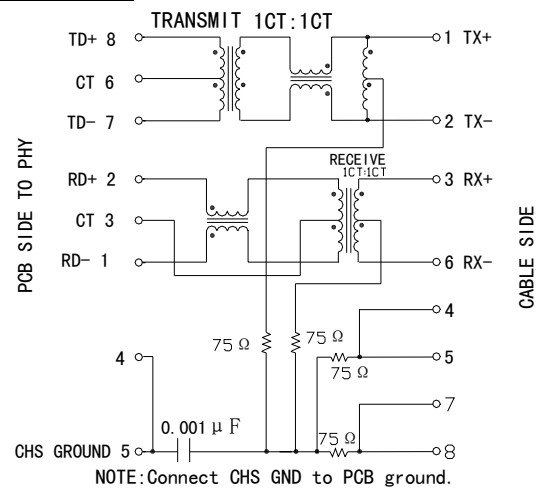


NOTE: Connect CHS GND to PCB ground.

## TRJ0033

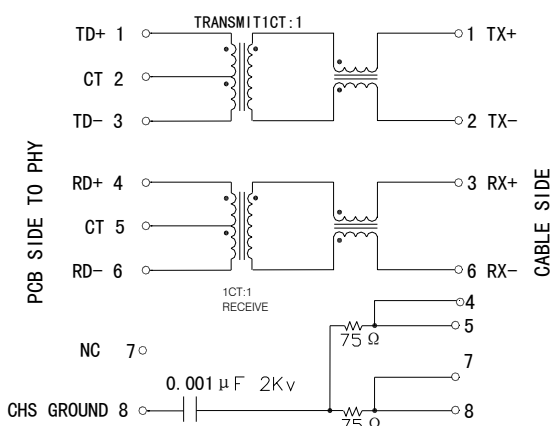


## TRJ0035



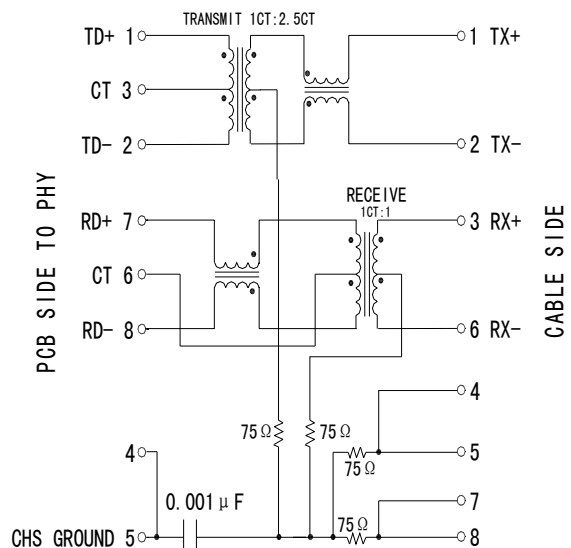
NOTE: Connect CHS GND to PCB ground.

## TRJ0048



NOTE: Connect CHS GND to PCB ground.

## TRJ0073



NOTE: Connect CHS GND to PCB ground.