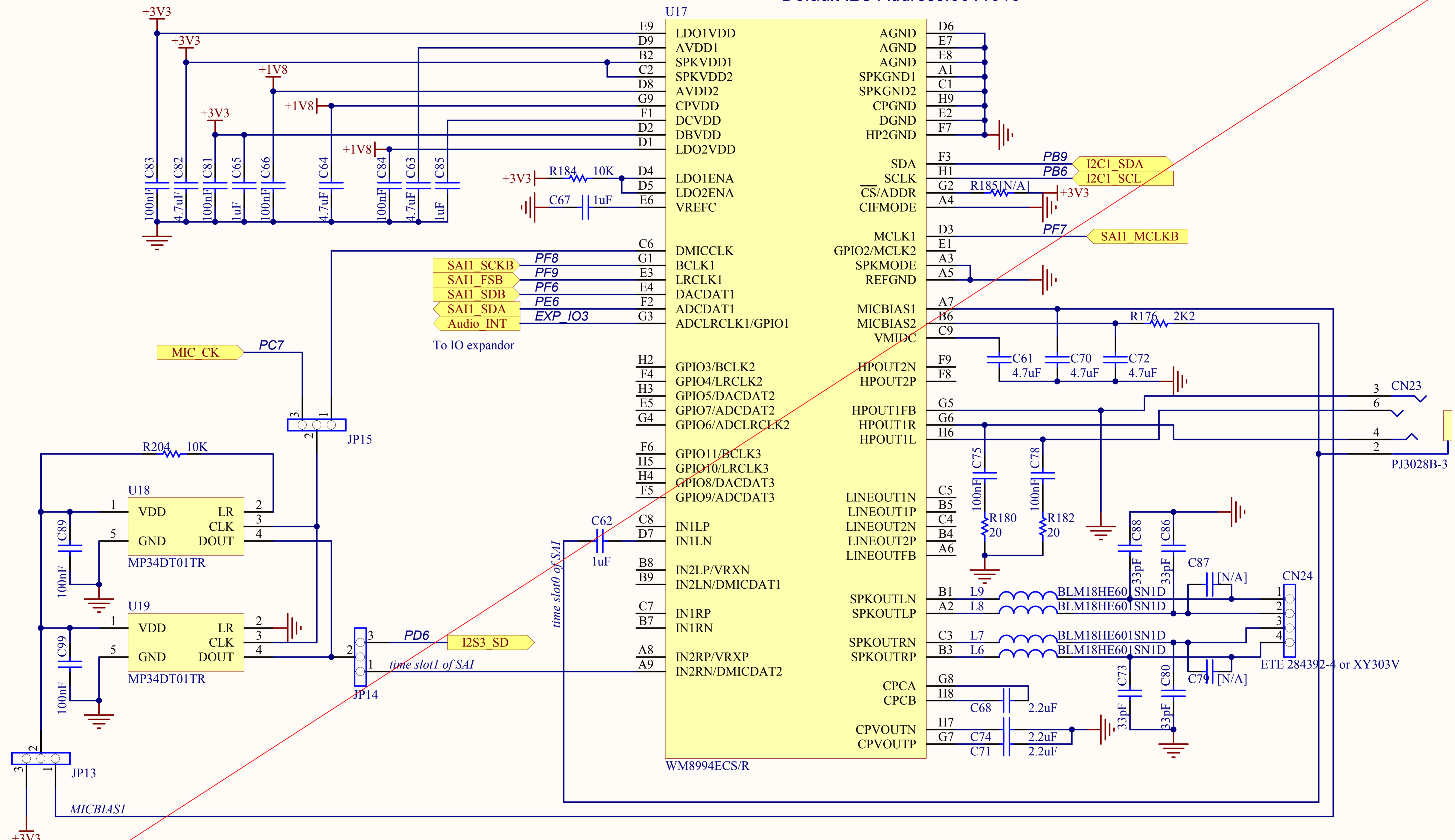


Note1: Text in italic placed on a wire doesn't correspond to net name. It just helps to identify rapidly MCU IO related to this wire.
 Note2:ESD protection component D15 on CAN was added from Version A.1 to B.1
 Note3:Jumper JP16(CAN_RX) replaced R259 from Version A.1 to B.1
 Note4:Signal LCD_ON/OFF on PC6 was removed from Version A.1 to B.1
 Note5:Reset pin of U7 was controlled by system reset from Version A.1 to B.1
 Note6:BSN20 were used on TR1 and TR2 from Version A.1 to B.1
 Note7:R16 was unmounted by default from Version A.1 to B.1
 Note8:PC6 as I2C_CLK input timer and PC7 as output clock timer to Mems microphone from Version A.1 to B.1
 Note9:SDRAM's part number was changed to MT48LC4M32B2B5-7 from Version A.1 to B.1
 Note10:Bootloader function was removed from B.1 to B.2

Default I2C Address:0011010



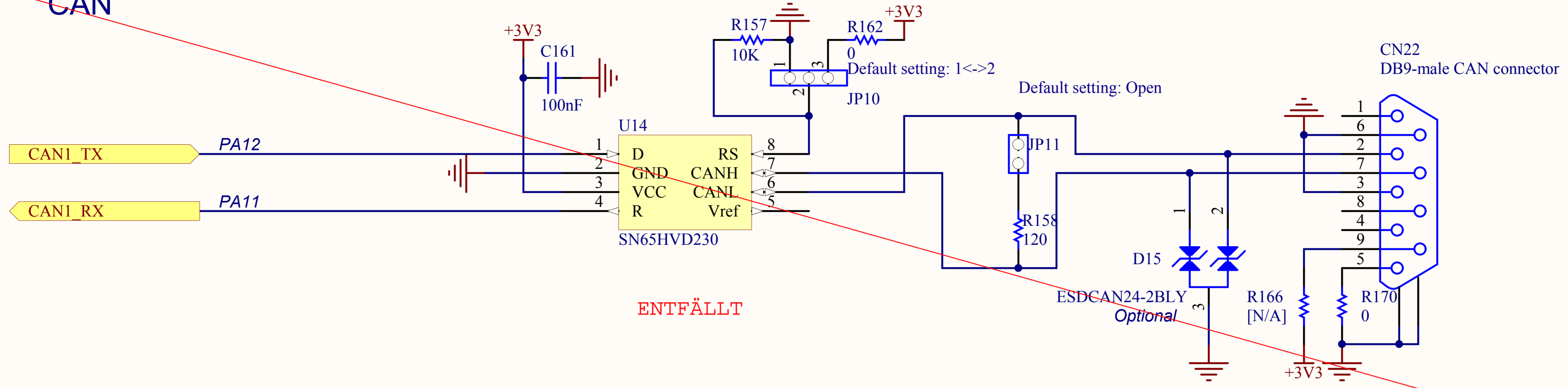
ENTFÄLLT

STMicroelectronics ENTFÄLLT

Title: **STM324x9I-EVAL Audio**

Number: **MB1045** Rev: **B.2(PCB.SCH)** Date: **7/24/2013** Sheet **5** of **16**

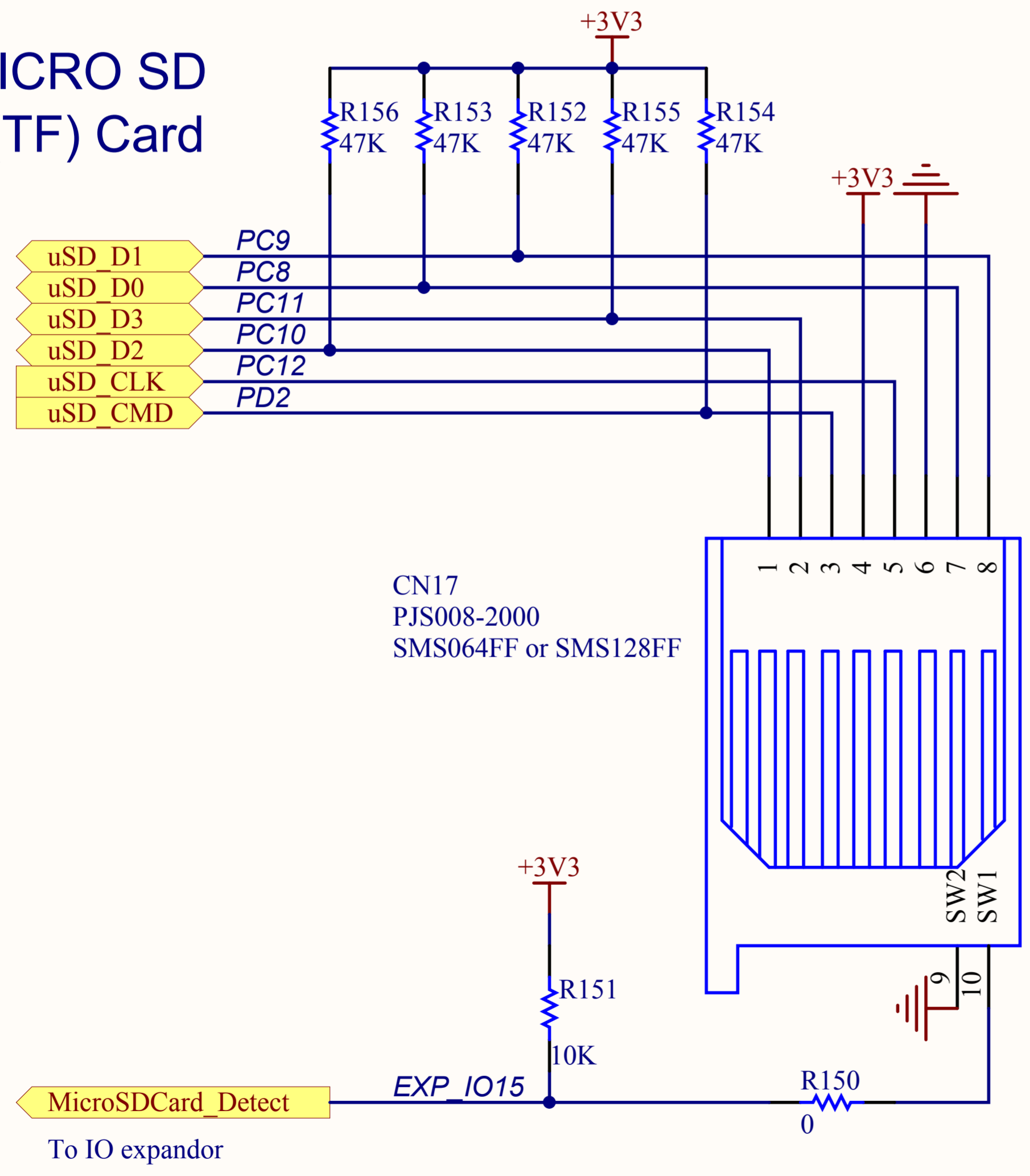
CAN



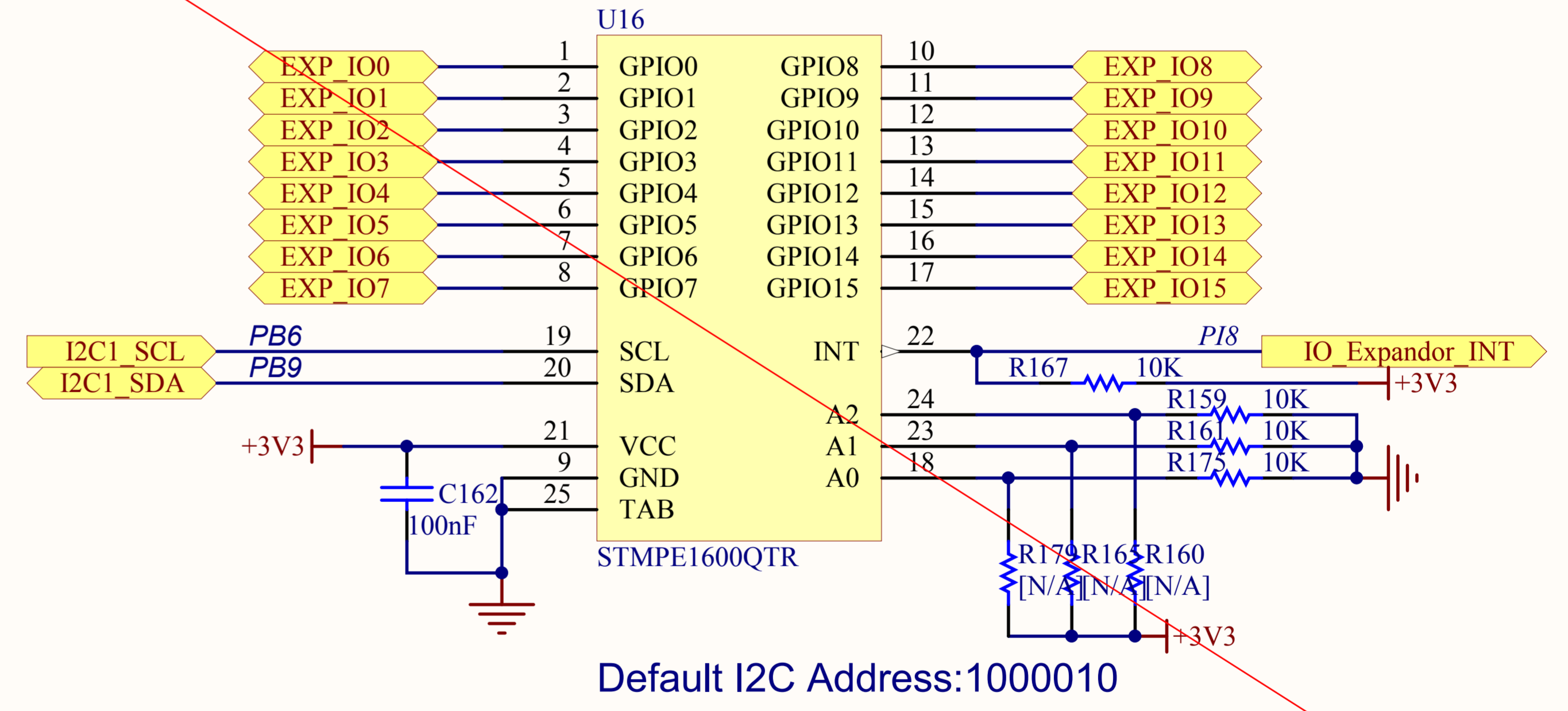
ENTFÄLLT

ENTFÄLLT

MICRO SD (TF) Card



IO Expander

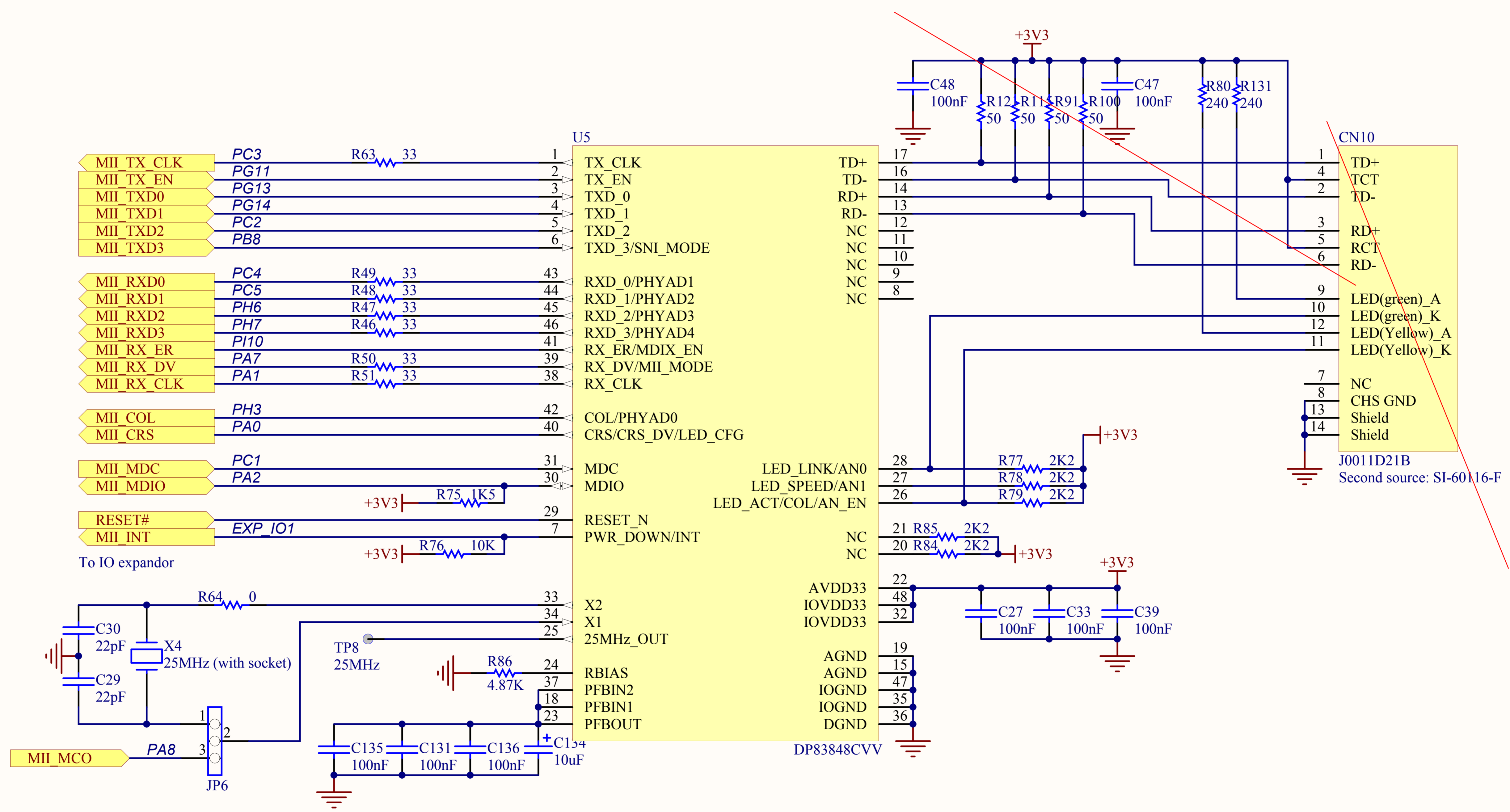


Default I2C Address: 1000010

STMicroelectronics

Title: *STM324x9I-EVAL CAN&uSD&IO_Expander*

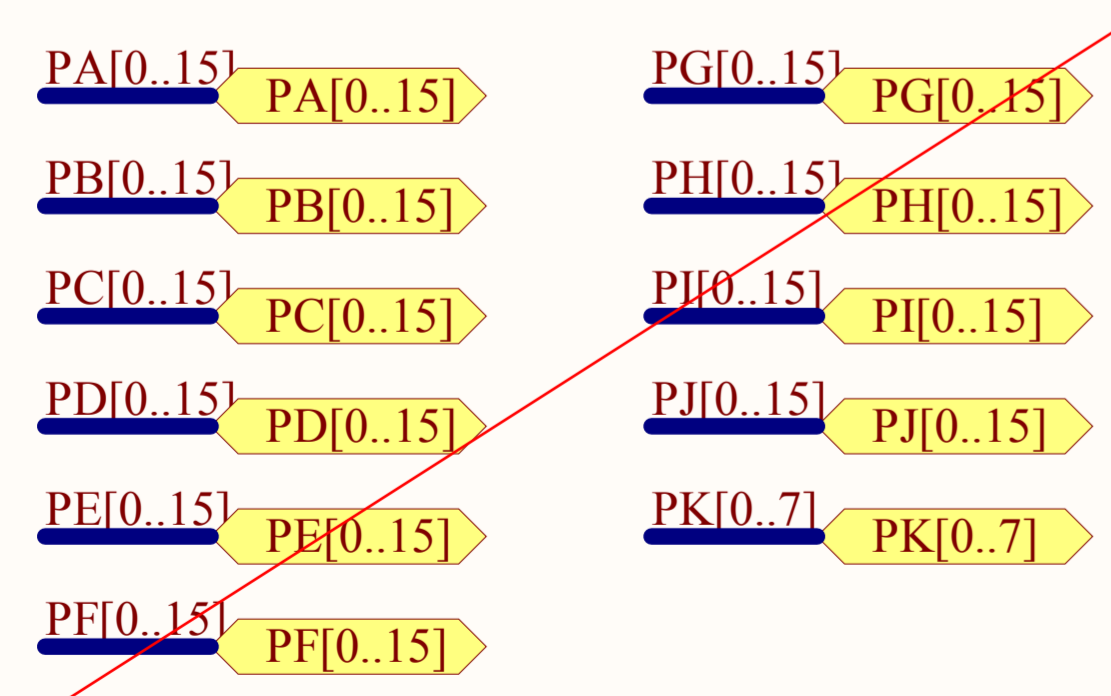
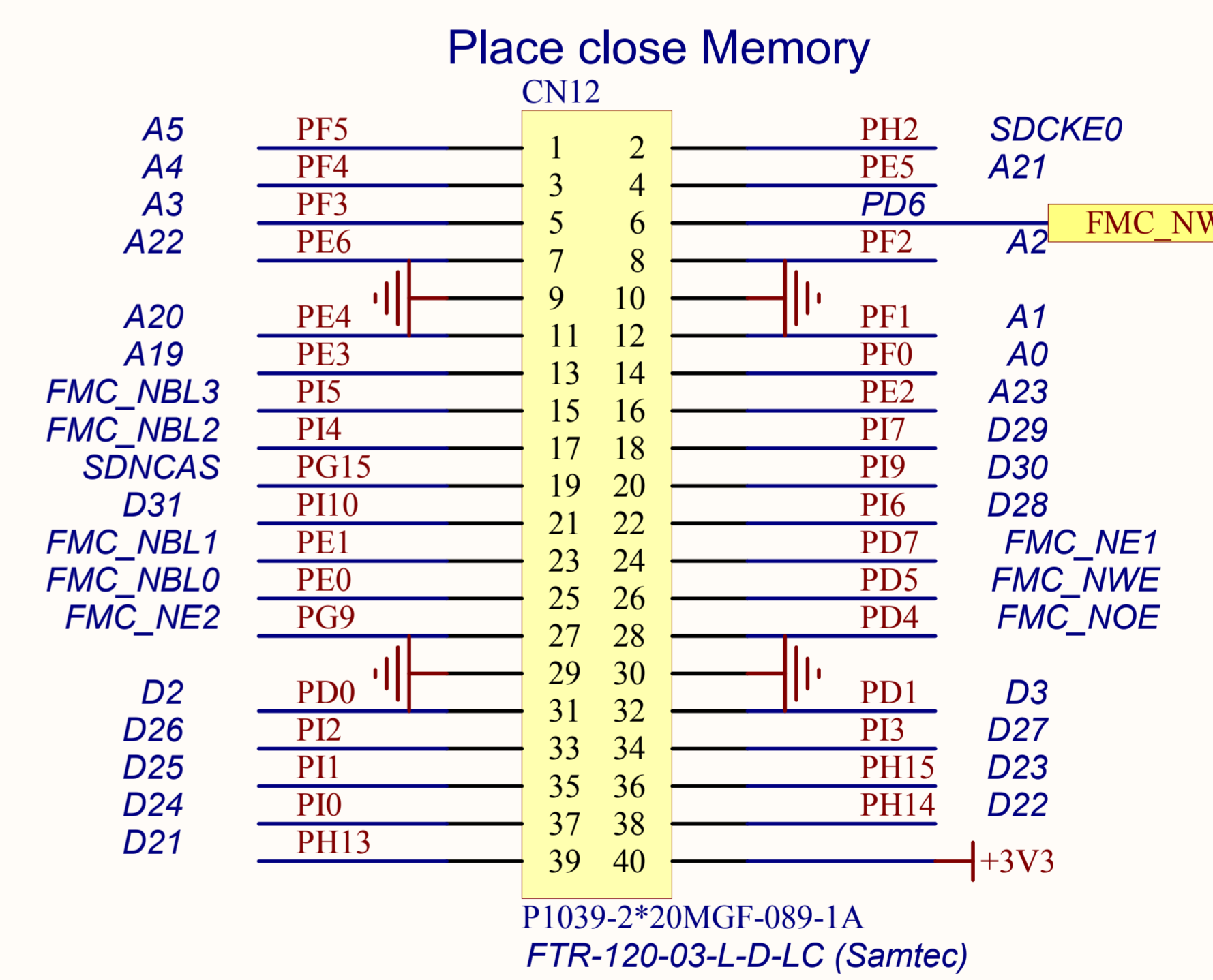
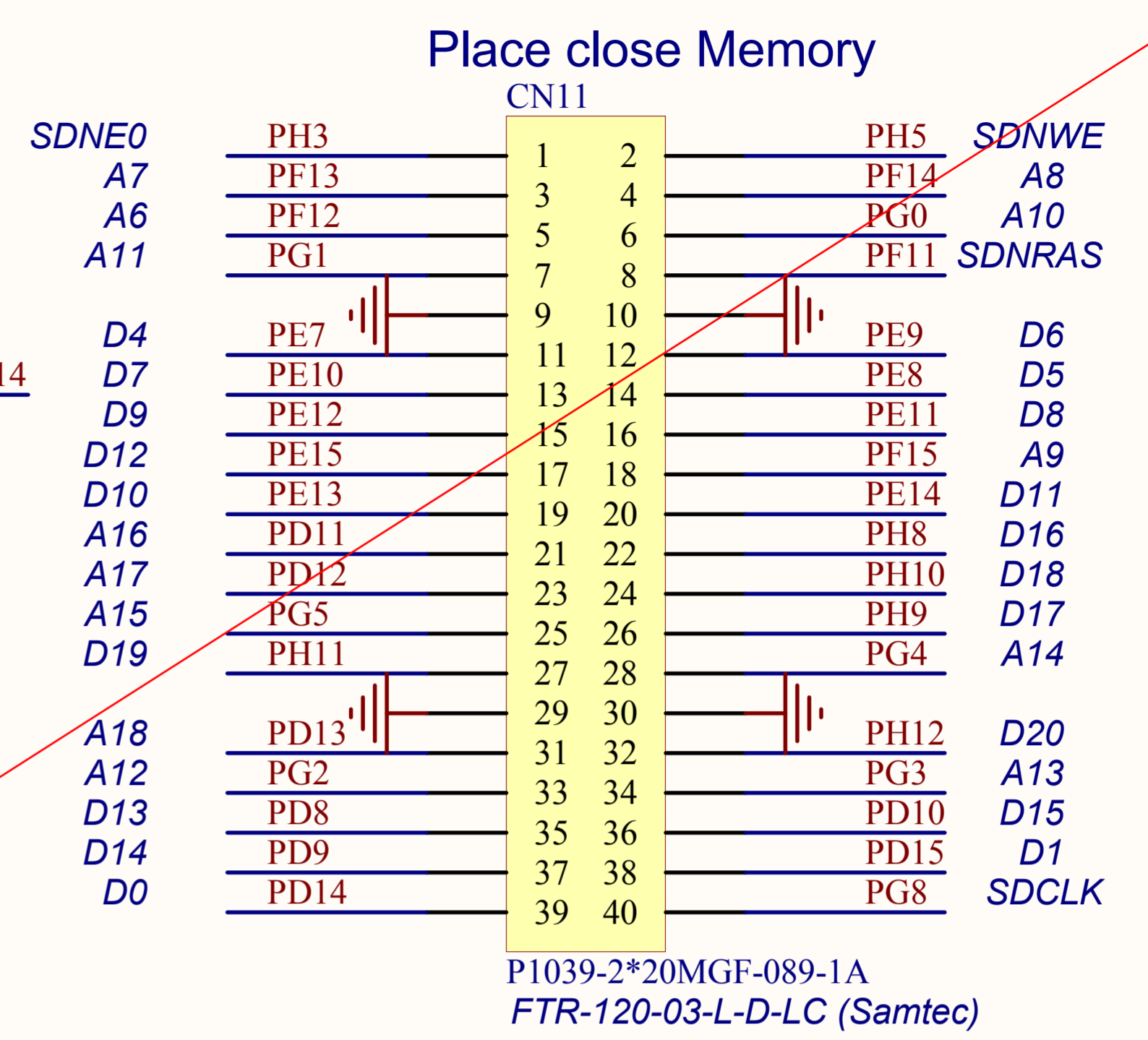
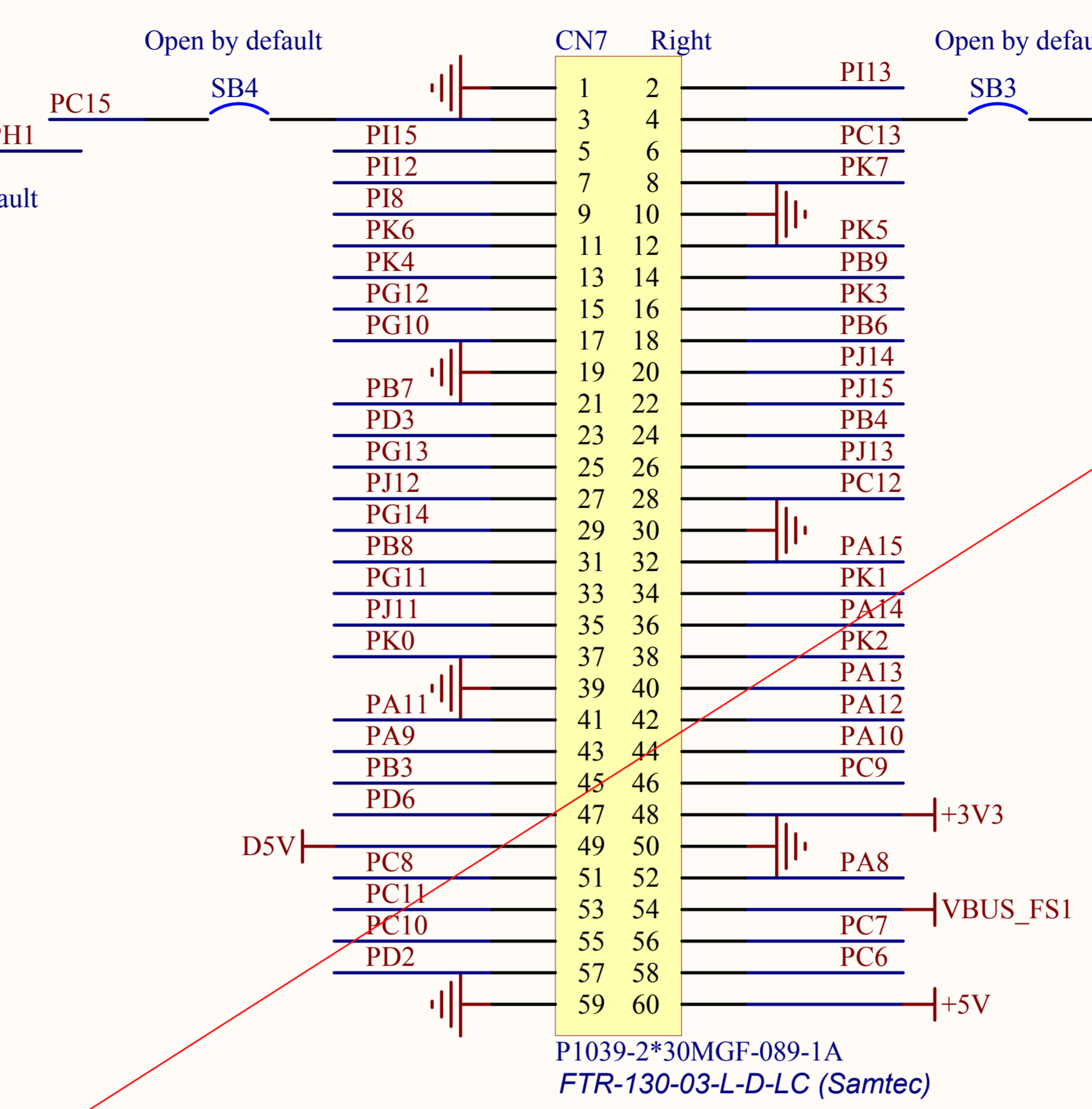
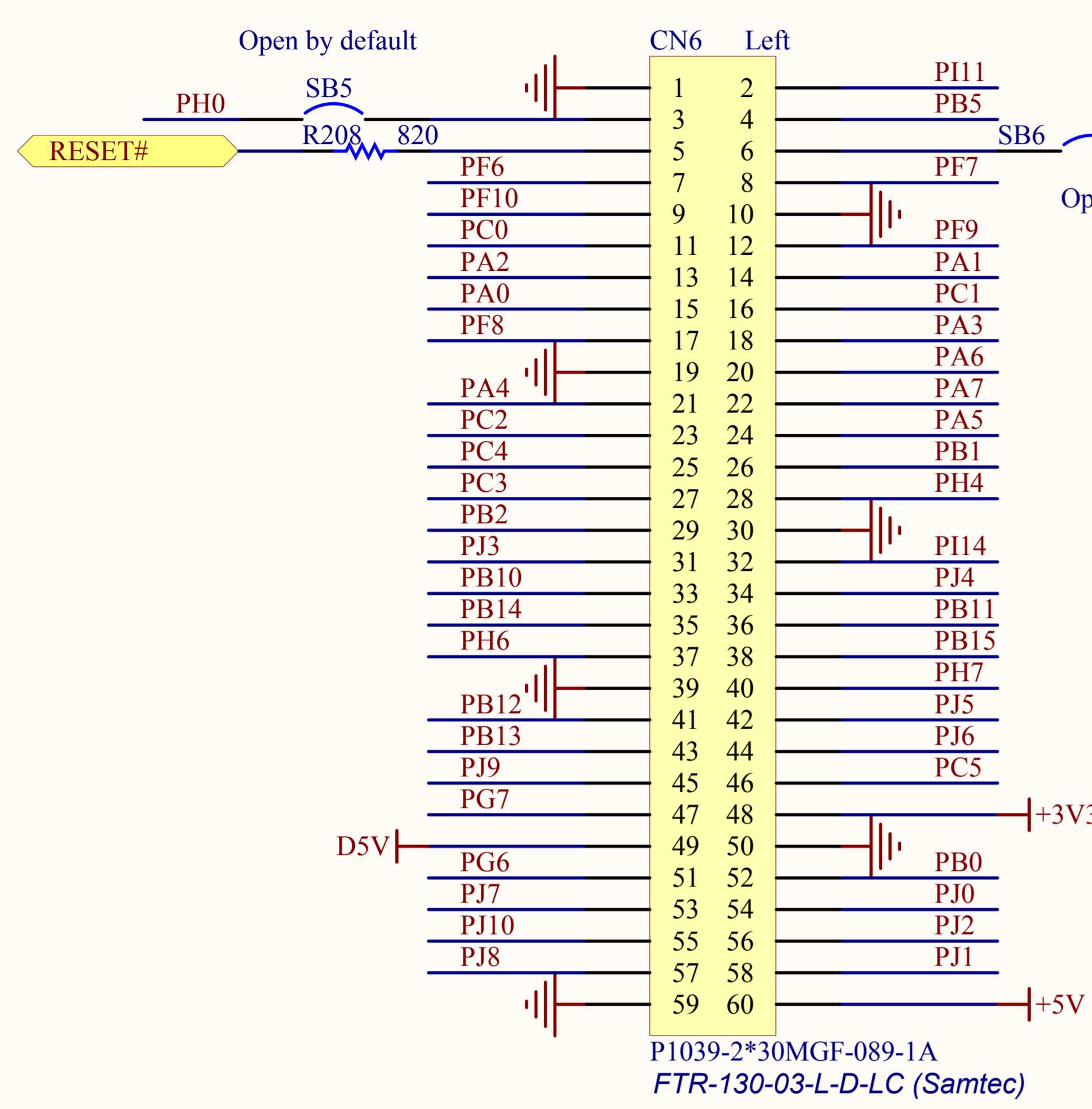
Number: MB1045 | Rev: B.2(PCB.SCH) | Date: 7/24/2013 | Sheet 11 of 16



STMicroelectronics

Title: *STM324x9I-EVAL Ethernet*

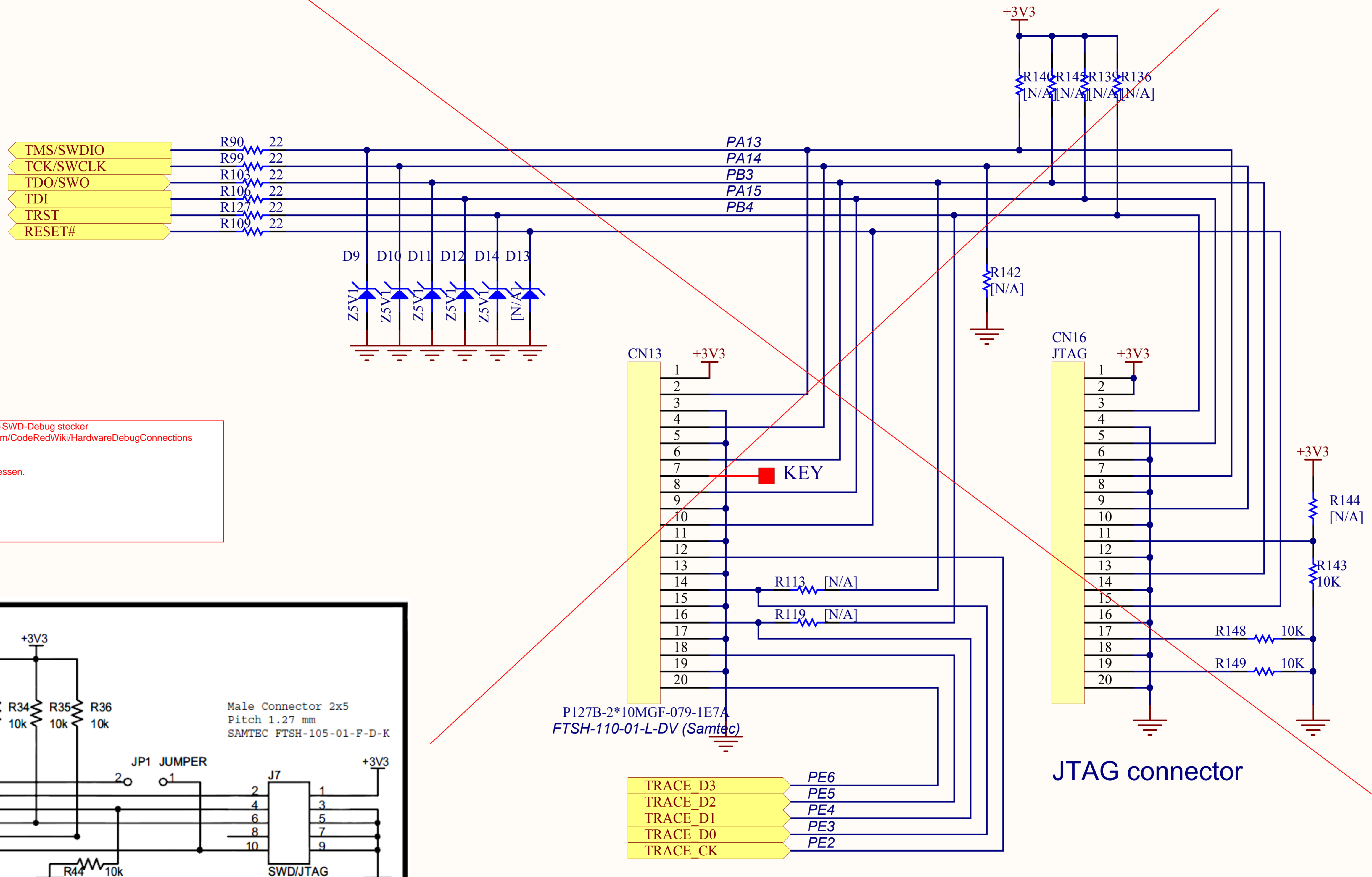
Number: MB1045 | Rev: B.2(PCB.SCH) | Date: 7/24/2013 | Sheet 7 of 16



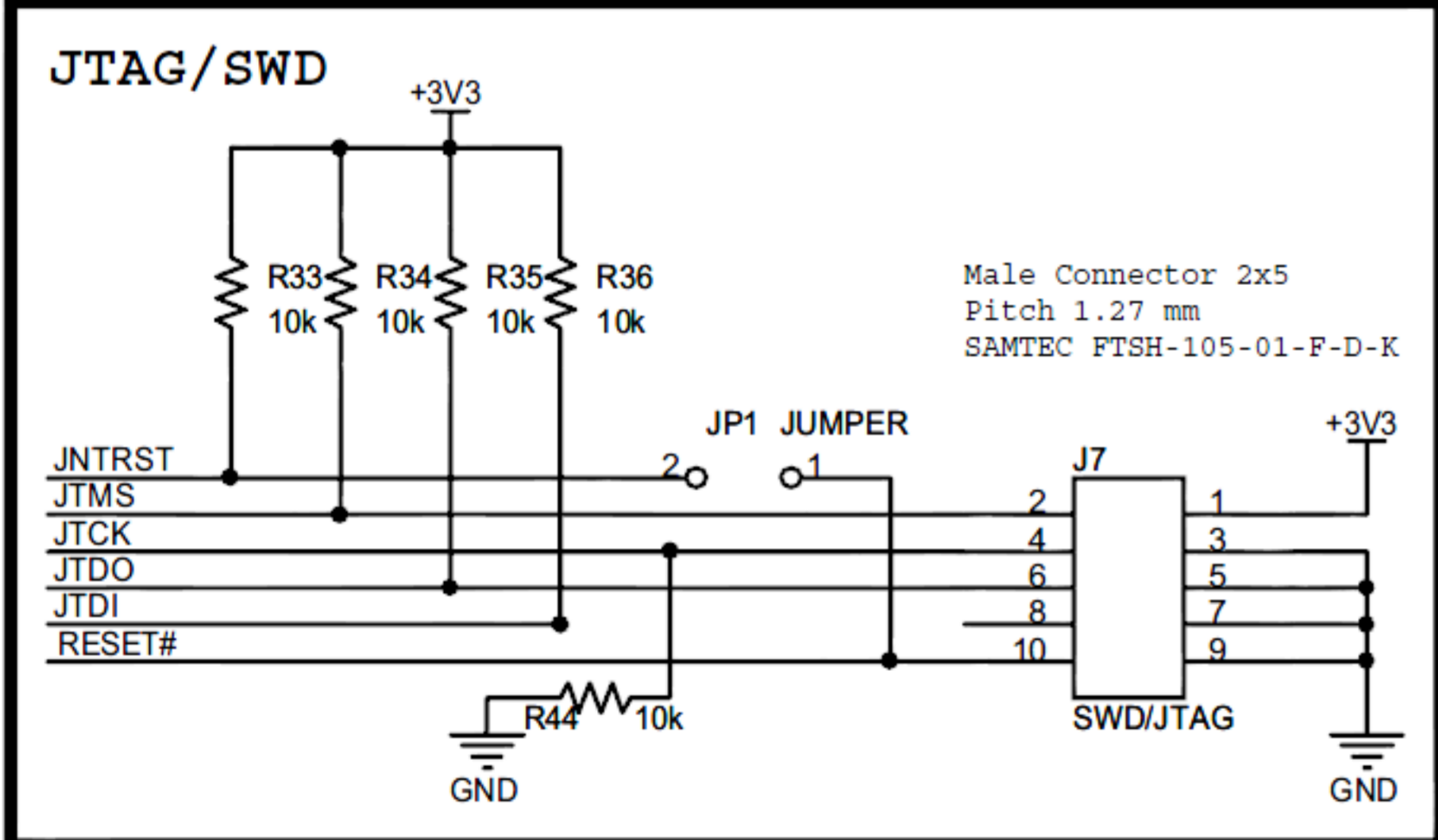
STMicroelectronics

Title: *STM324x9I-EVAL Extension connector*

Number: MB1045 Rev: B.2(PCB.SCH) Date: 7/24/2013 Sheet 14 of 16



Stattdessen 10 poliger samtec ARM-SWD-Debug stecker
<http://www.support.code-red-tech.com/CodeRedWiki/HardwareDebugConnections>
 bzw.
 Siehe hier im Schematic SWD.
 Wichtig! Pull up & Downs nicht vergessen.



Trace connector

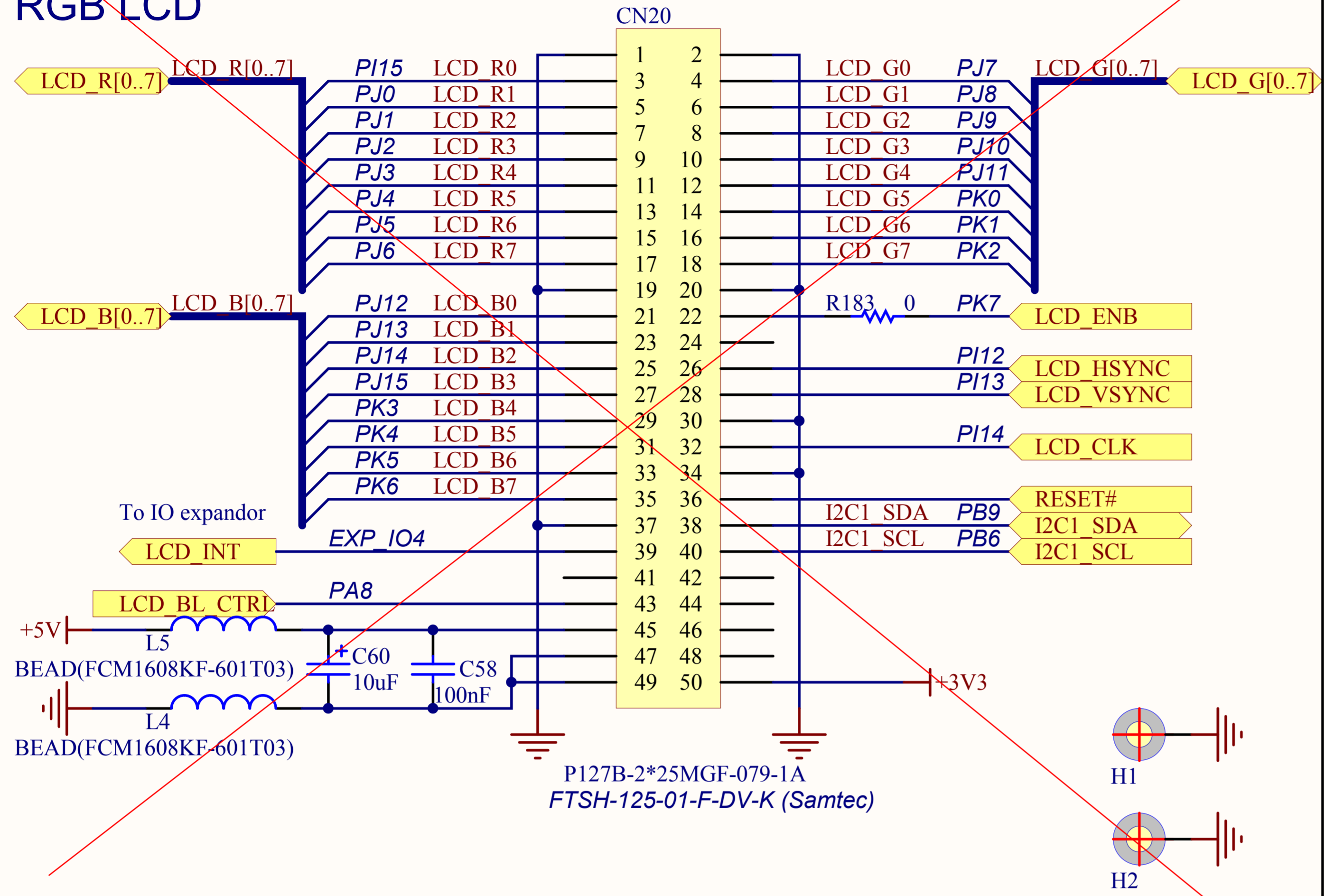
JTAG connector

STMicroelectronics

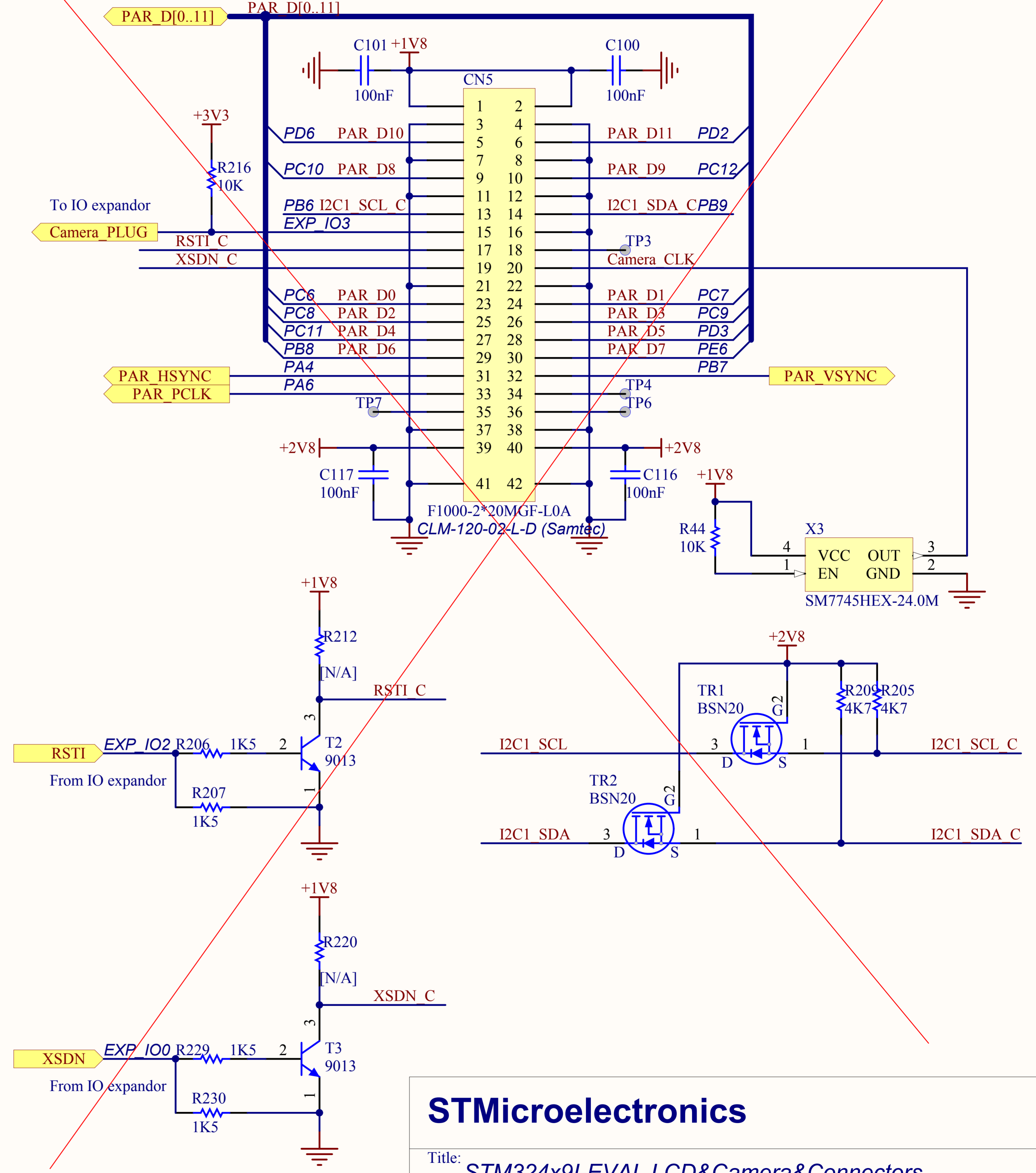
Title: *STM324x9I-EVAL JTAG&Trace*

Number: MB1045 | Rev: B.2(PCB.SCH) | Date: 7/24/2013 | Sheet 16 of 16

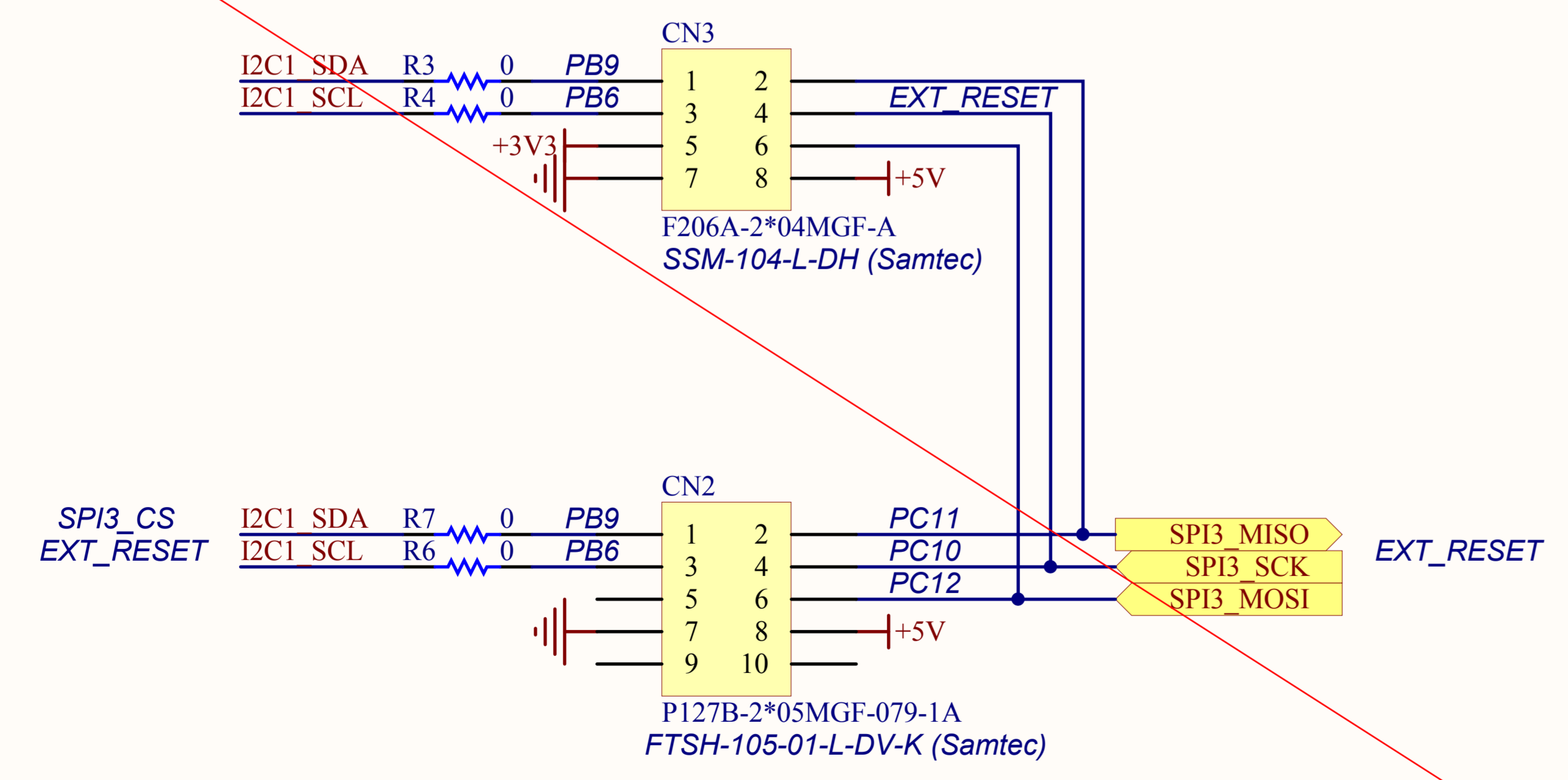
RGB LCD



Camera

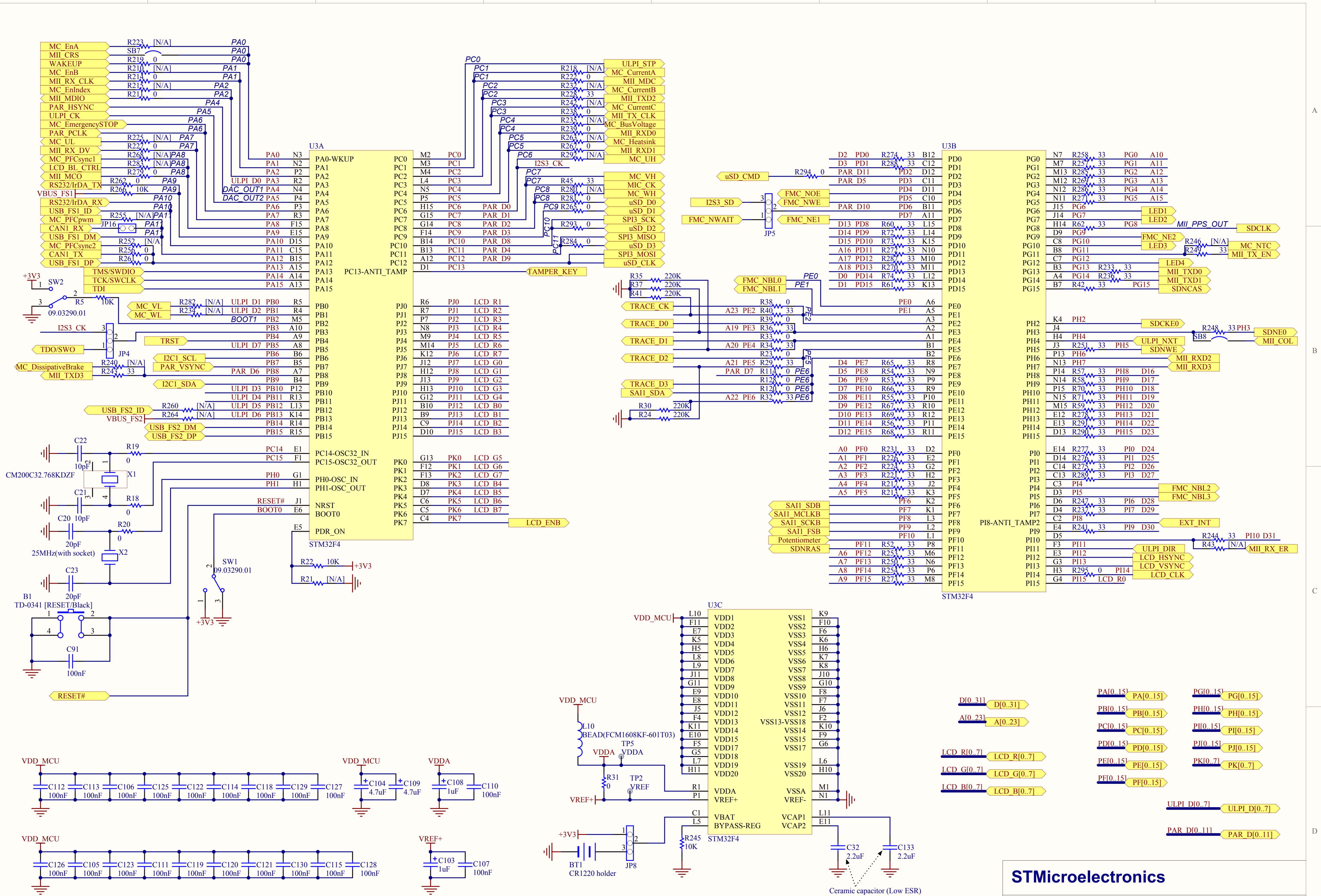


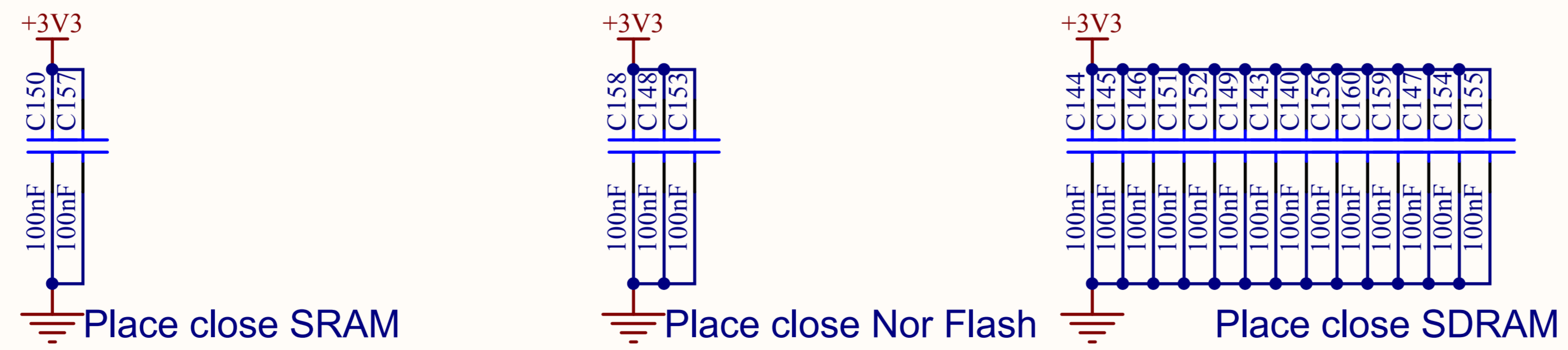
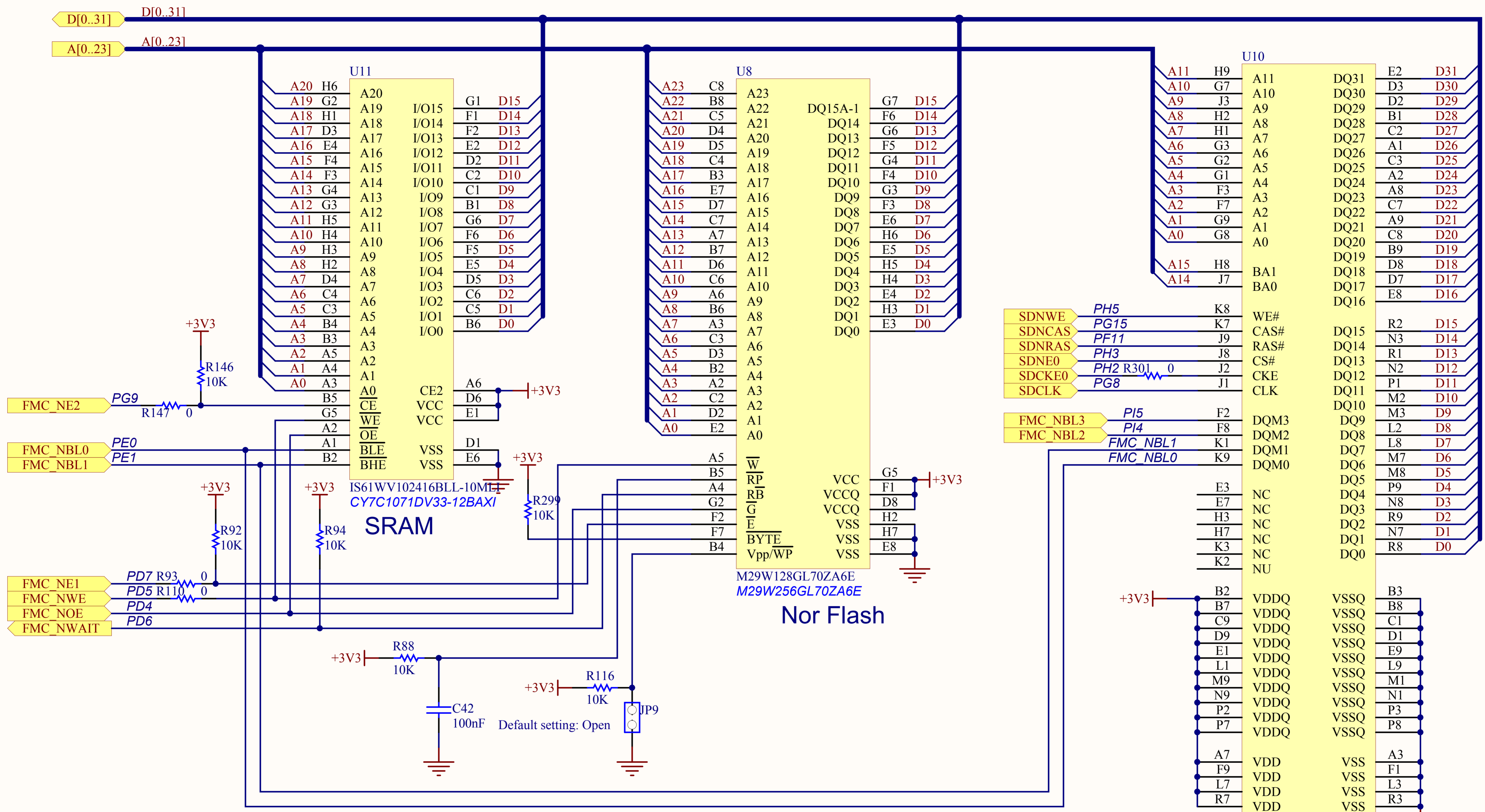
EXT/RF E2P Connector



STMicroelectronics

Title: STM324x9I-EVAL LCD&Camera&Connectors



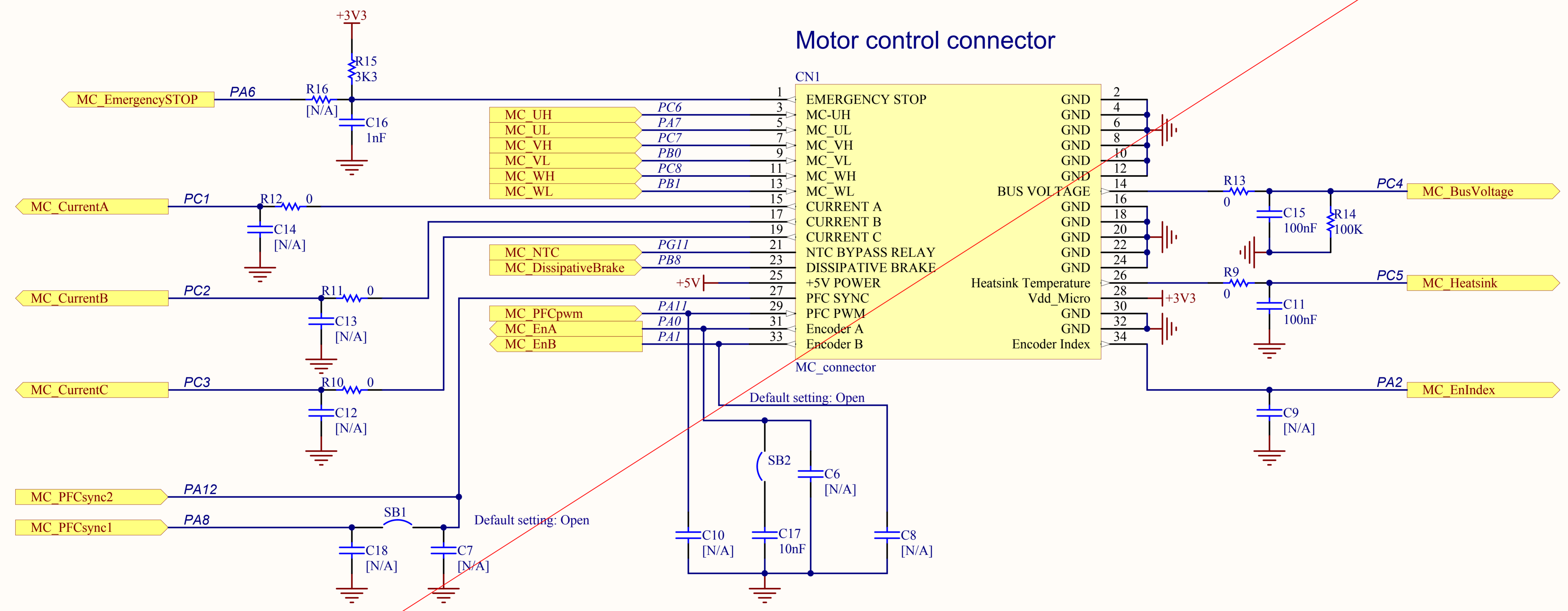


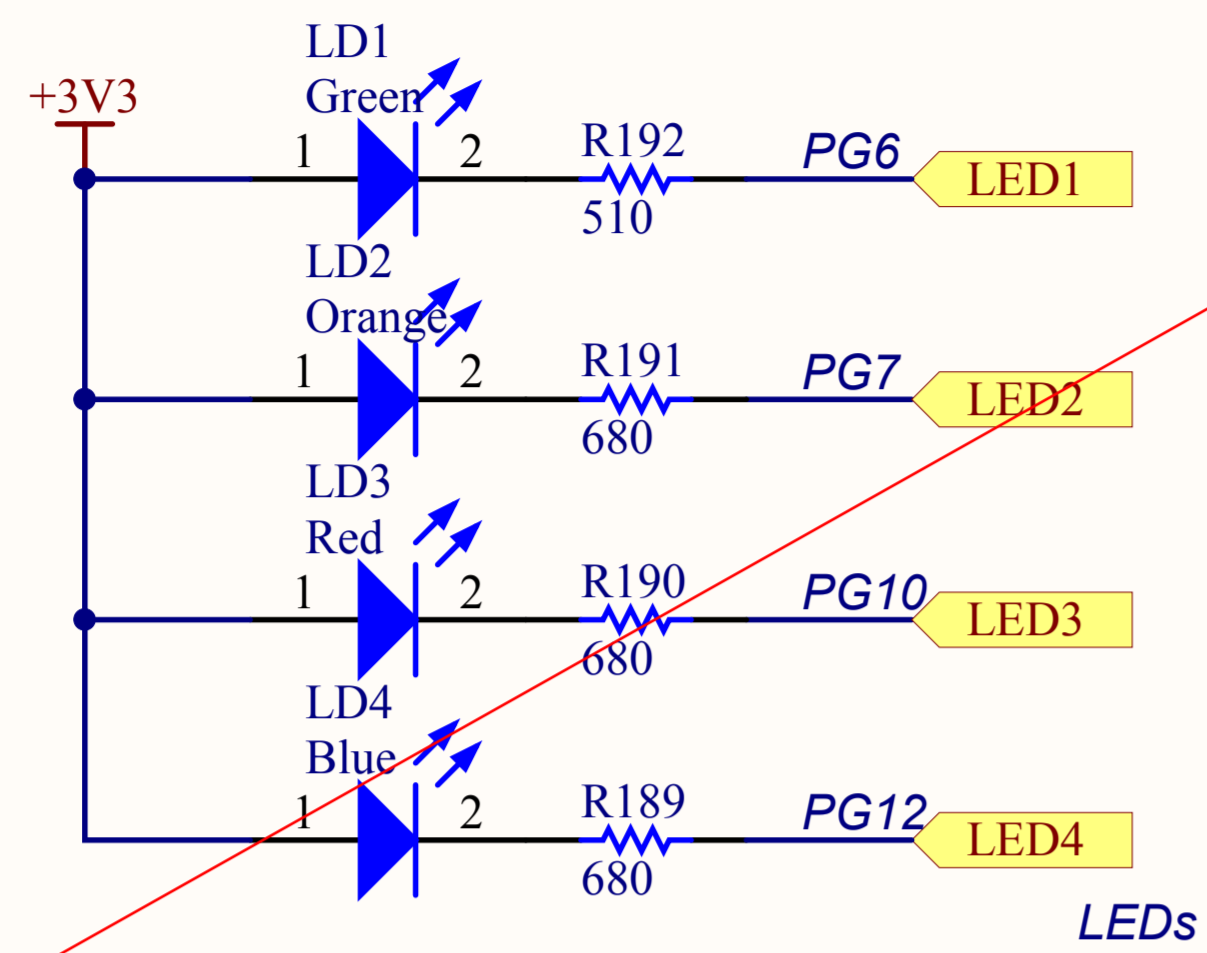
STMicroelectronics

Title: *STM324x9I-EVAL SRAM&FLASH&SDRAM*

Number: MB1045 | Rev: B.2(PCB.SCH) | Date: 7/24/2013 | Sheet 4 of 16

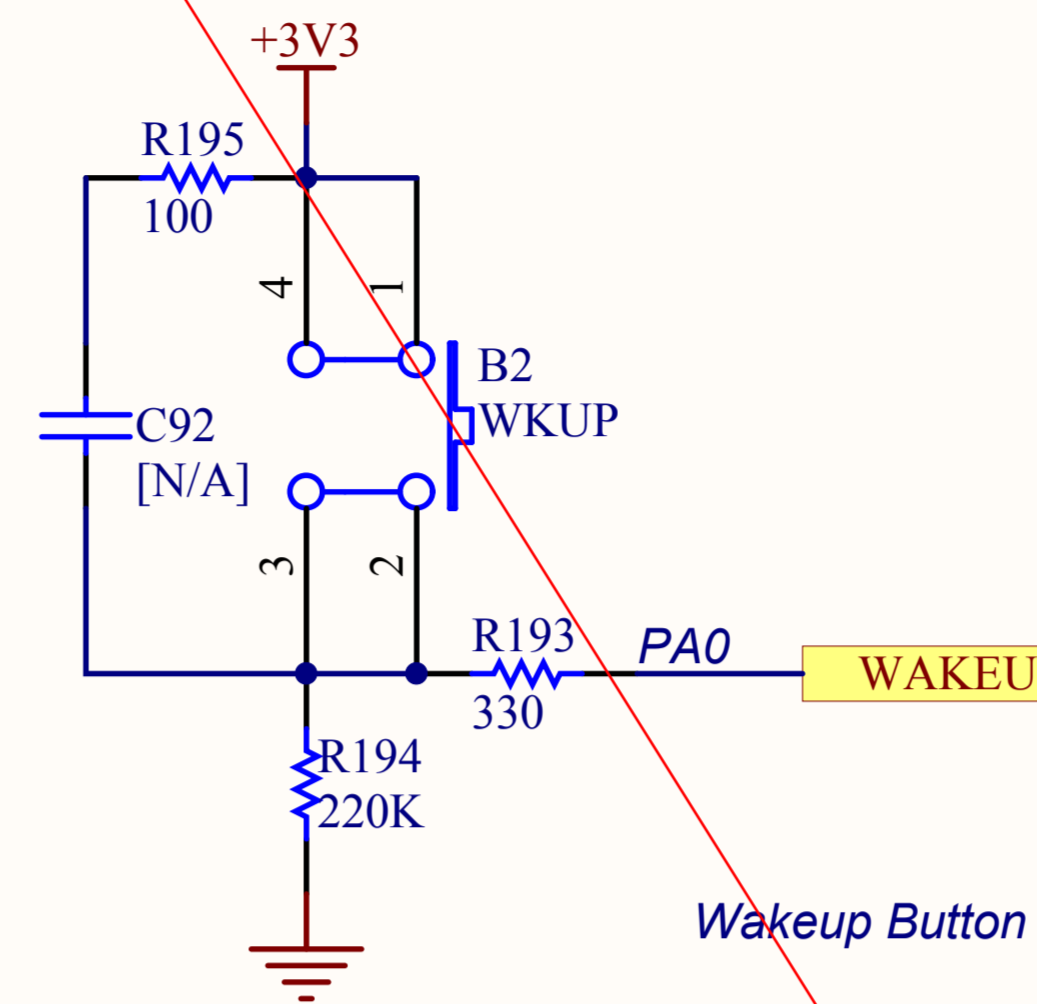
Motor control connector



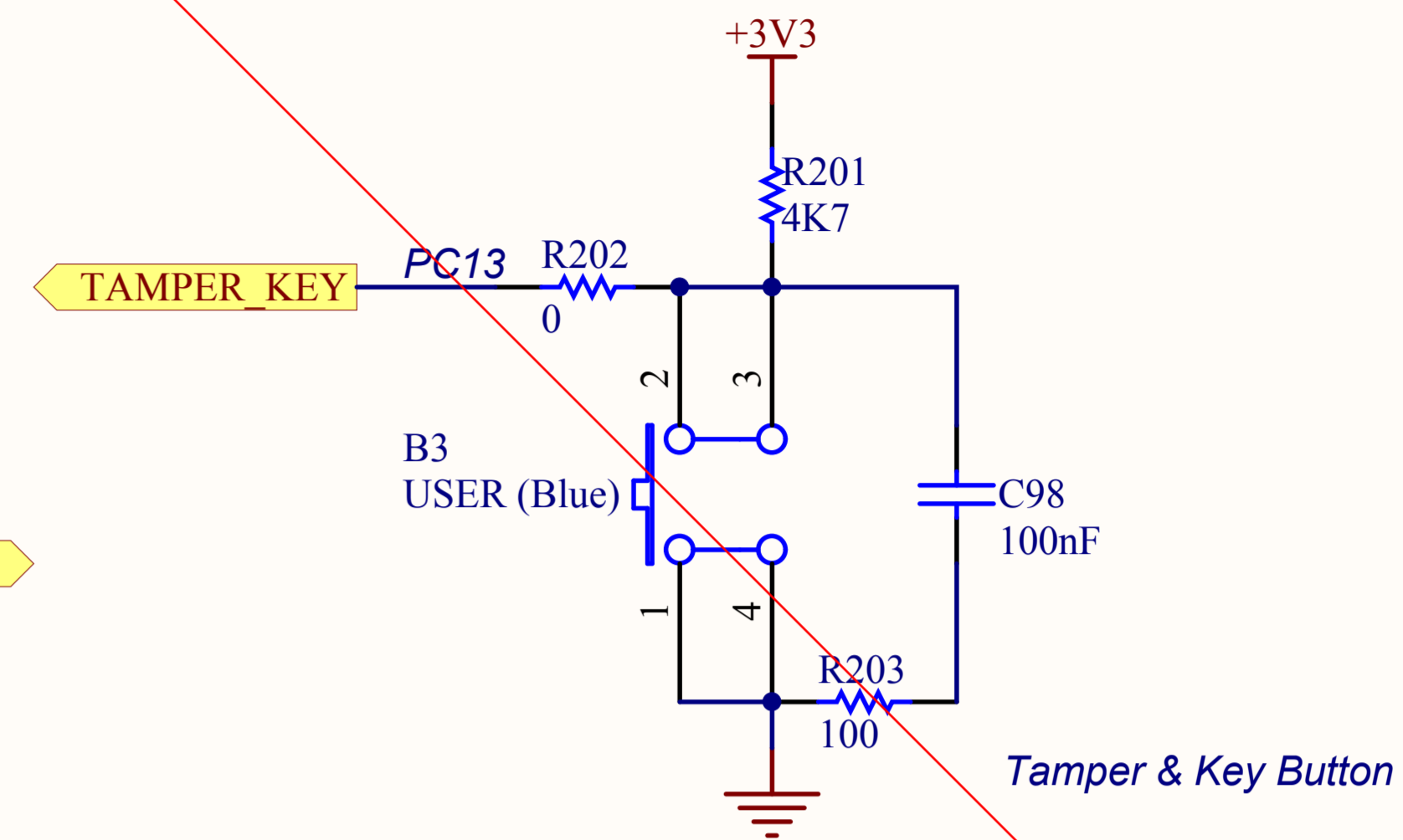


Stattdessen nur eine LED für PowerON (3V3) (grün)

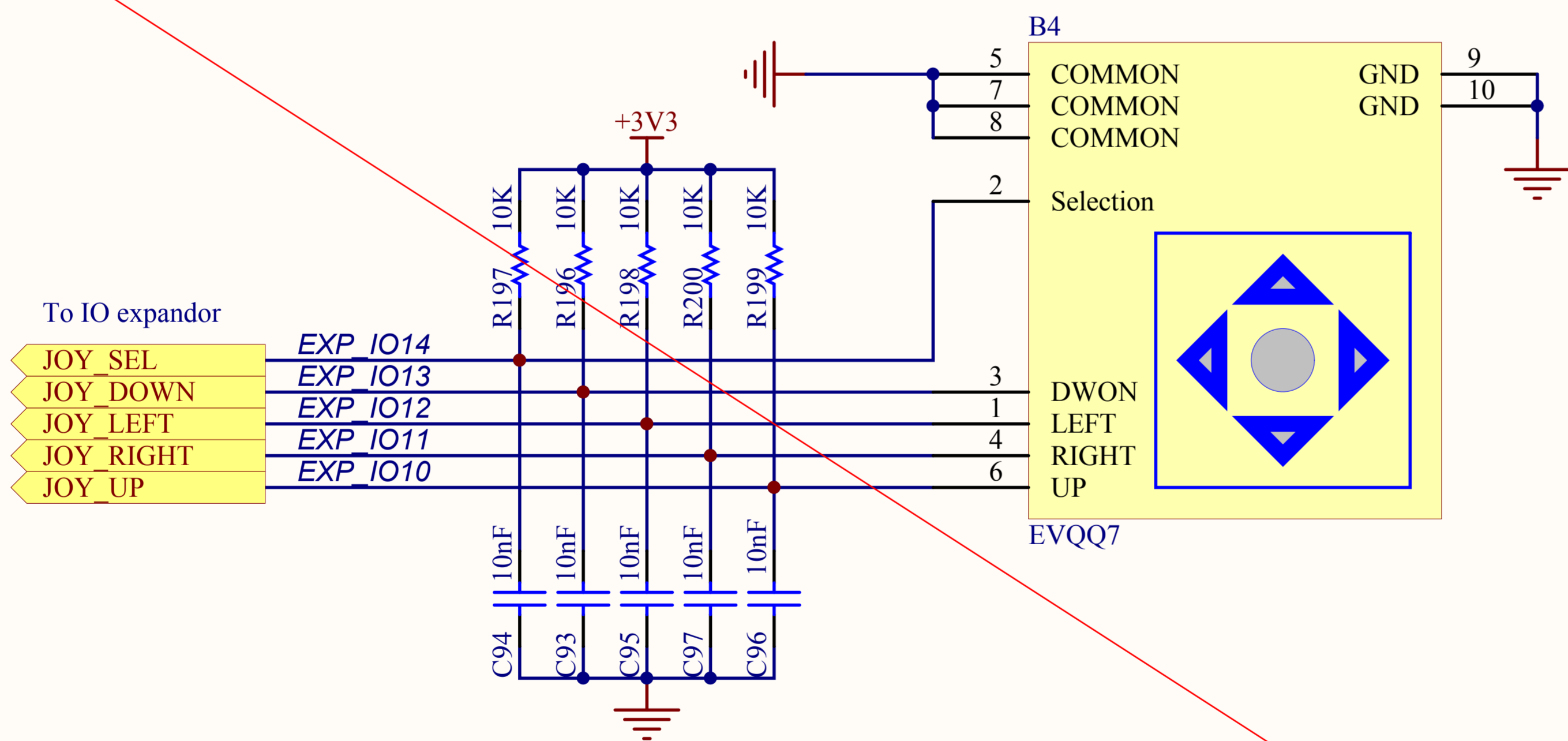
LEDs



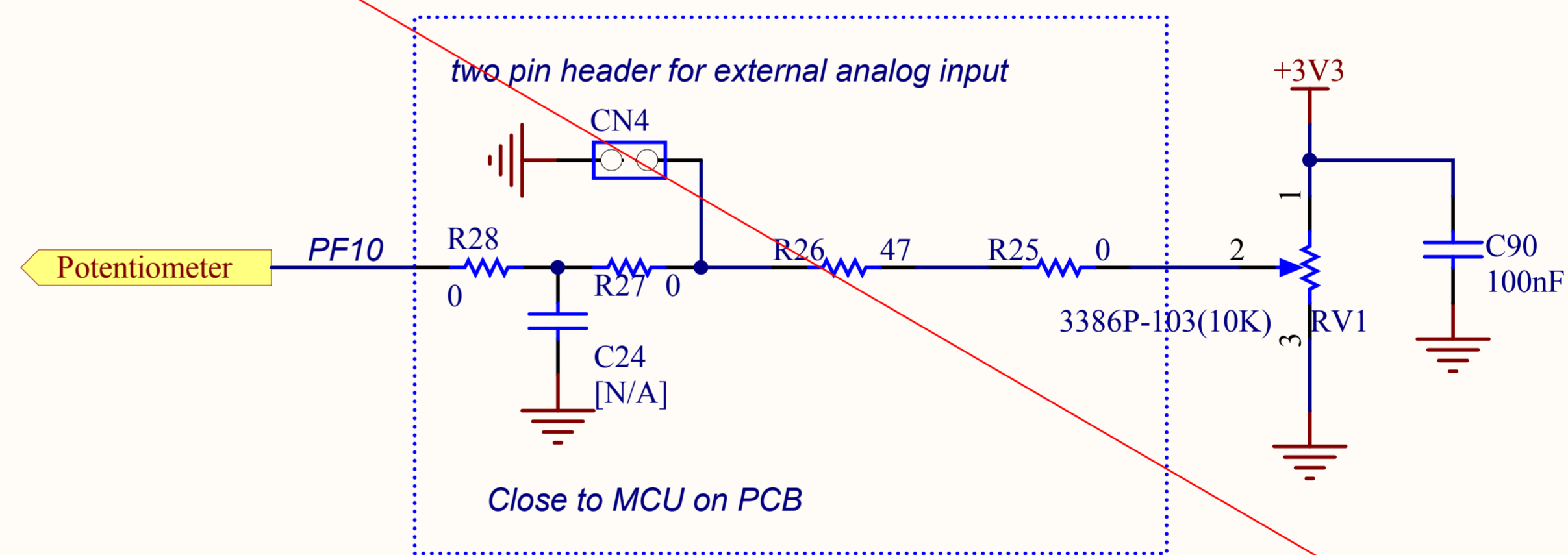
Wakeup Button



Tamper & Key Button



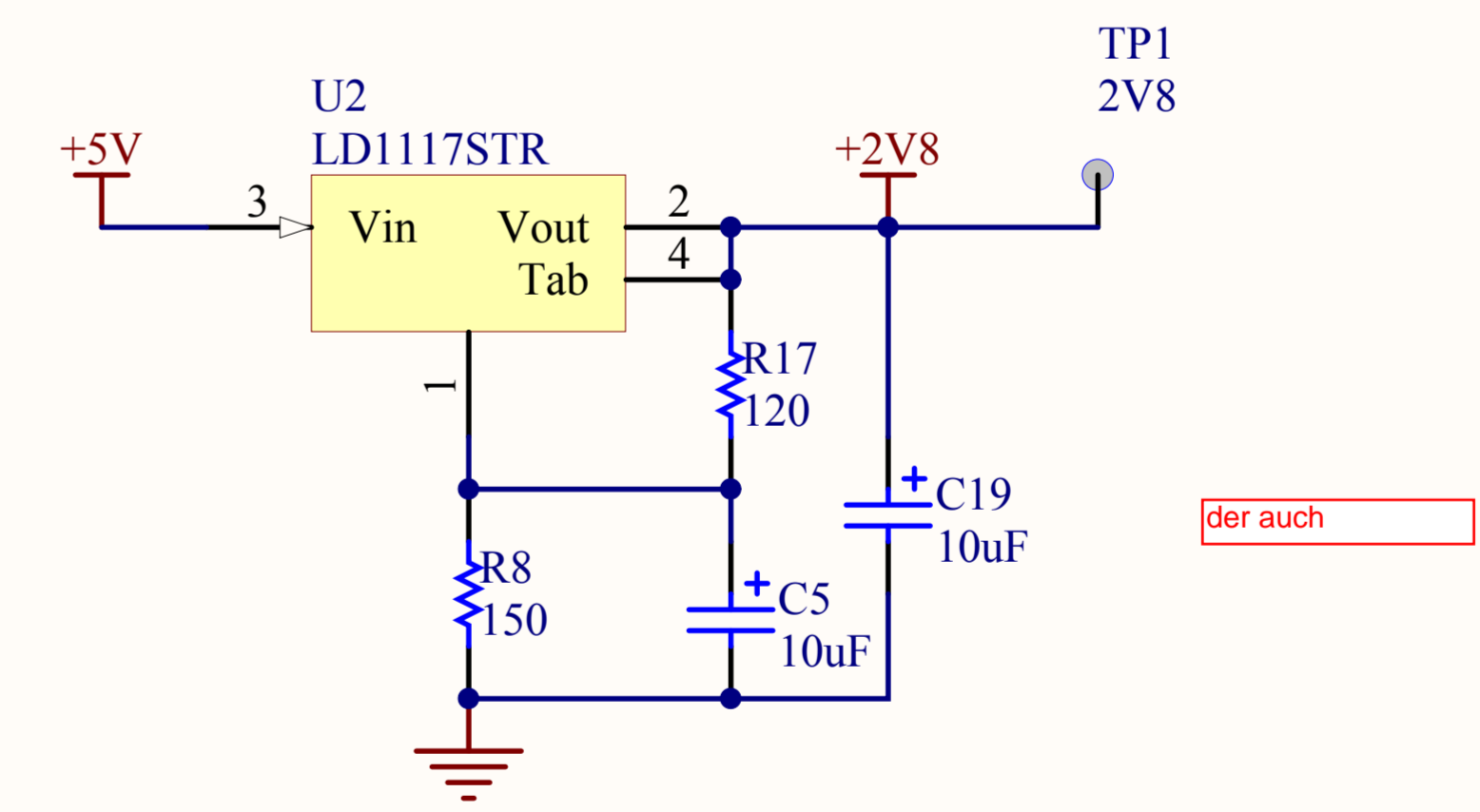
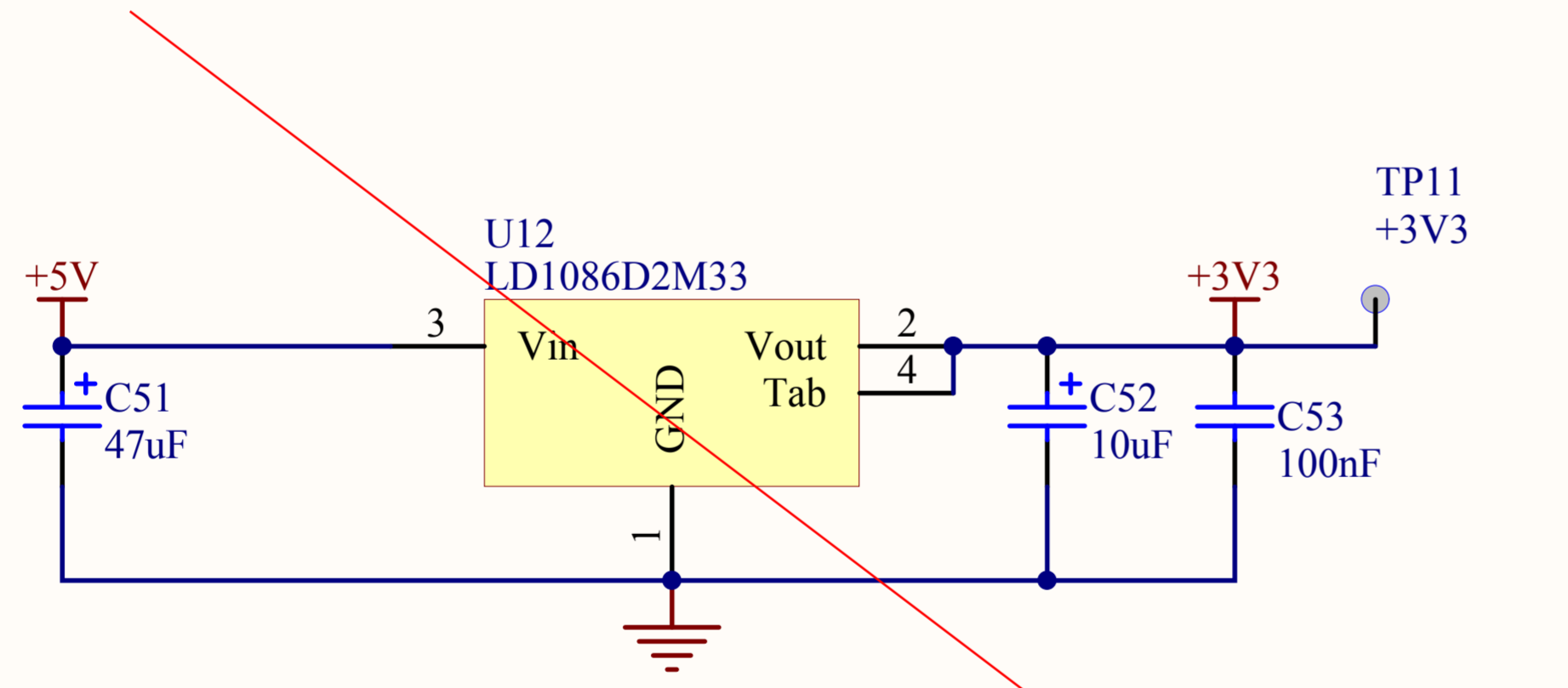
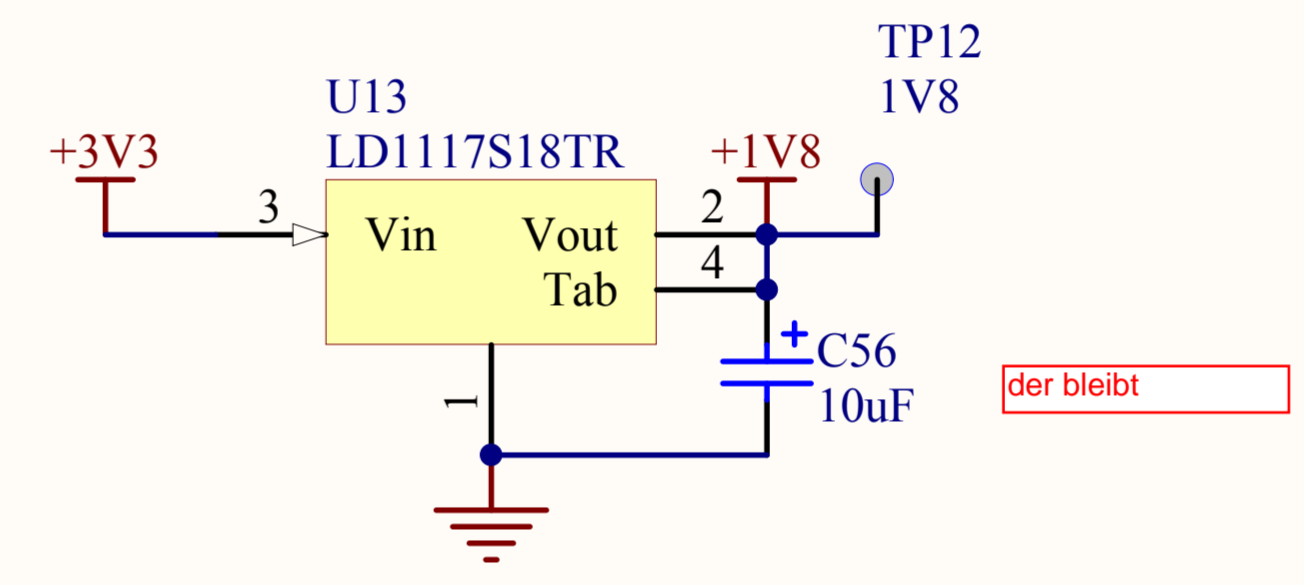
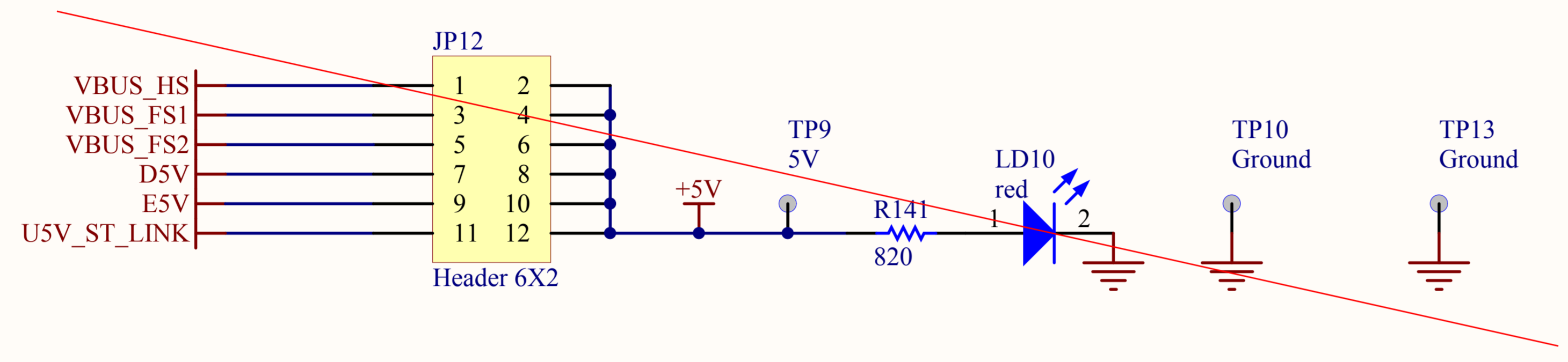
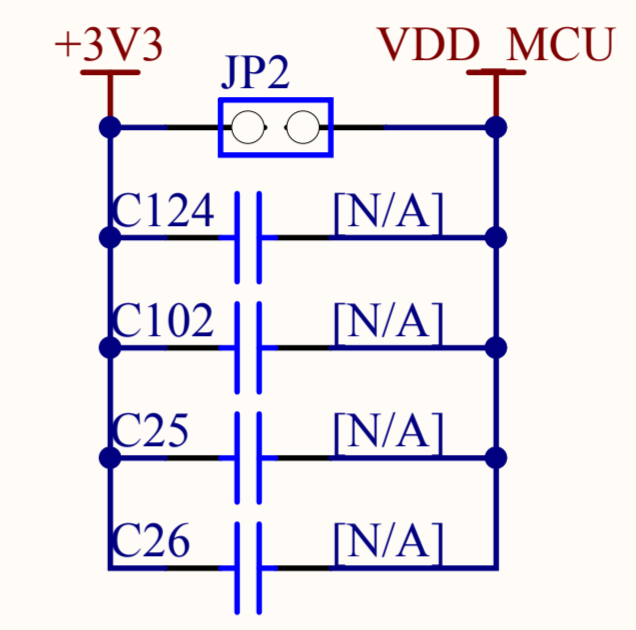
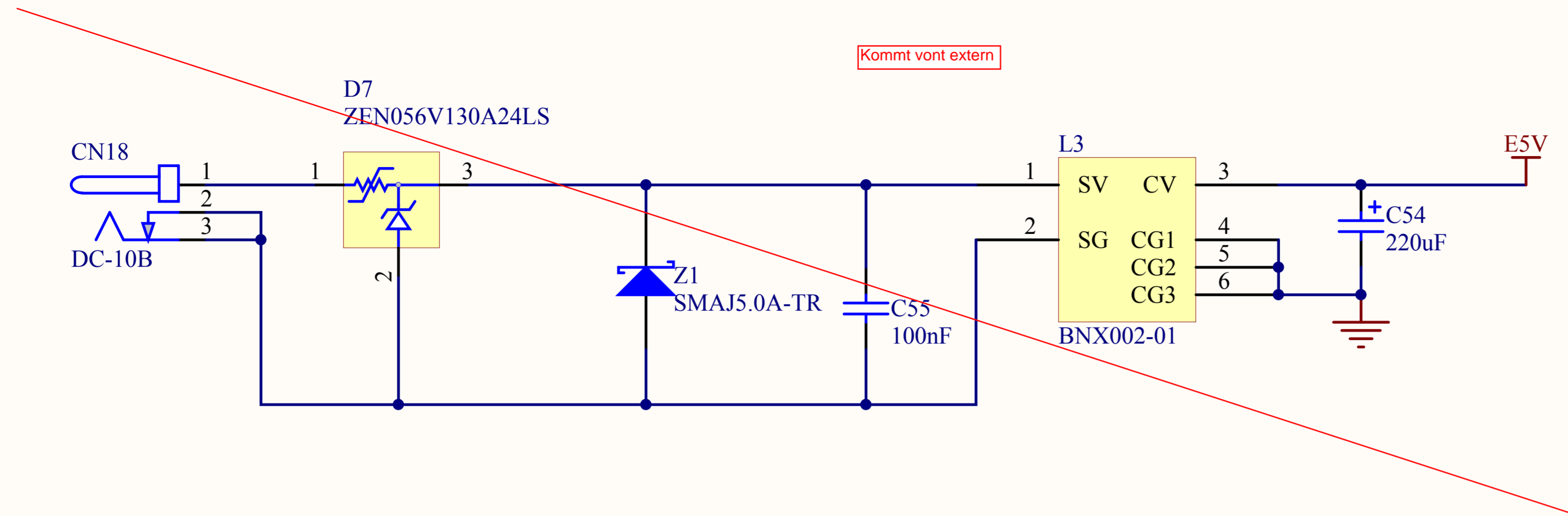
Joystick



Potentiometer

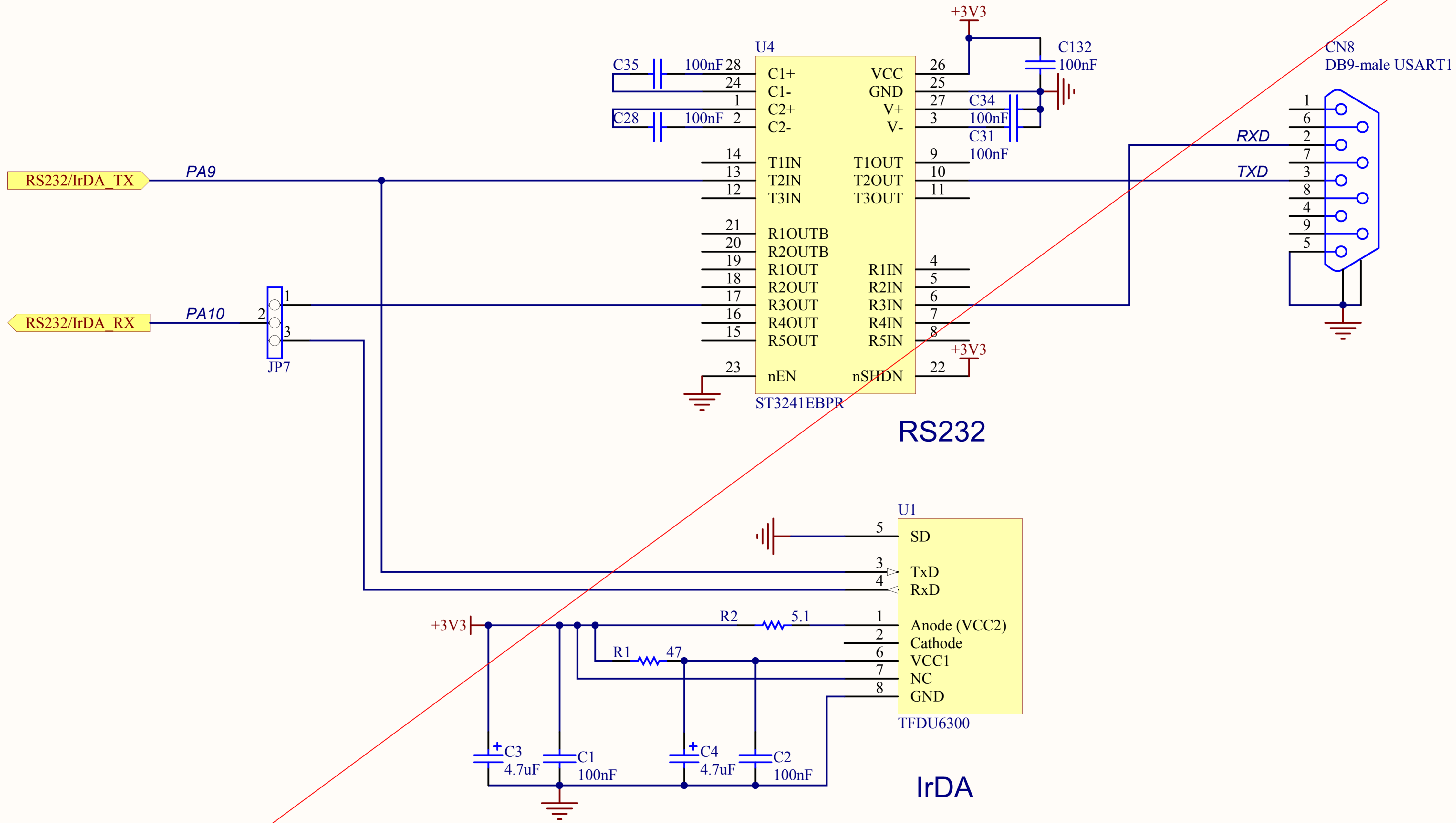
STMicroelectronics

Title: *STM324x9I-EVAL Peripherals*



STMicroelectronics

Title: *STM324x9I-EVAL Power*



A

A

B

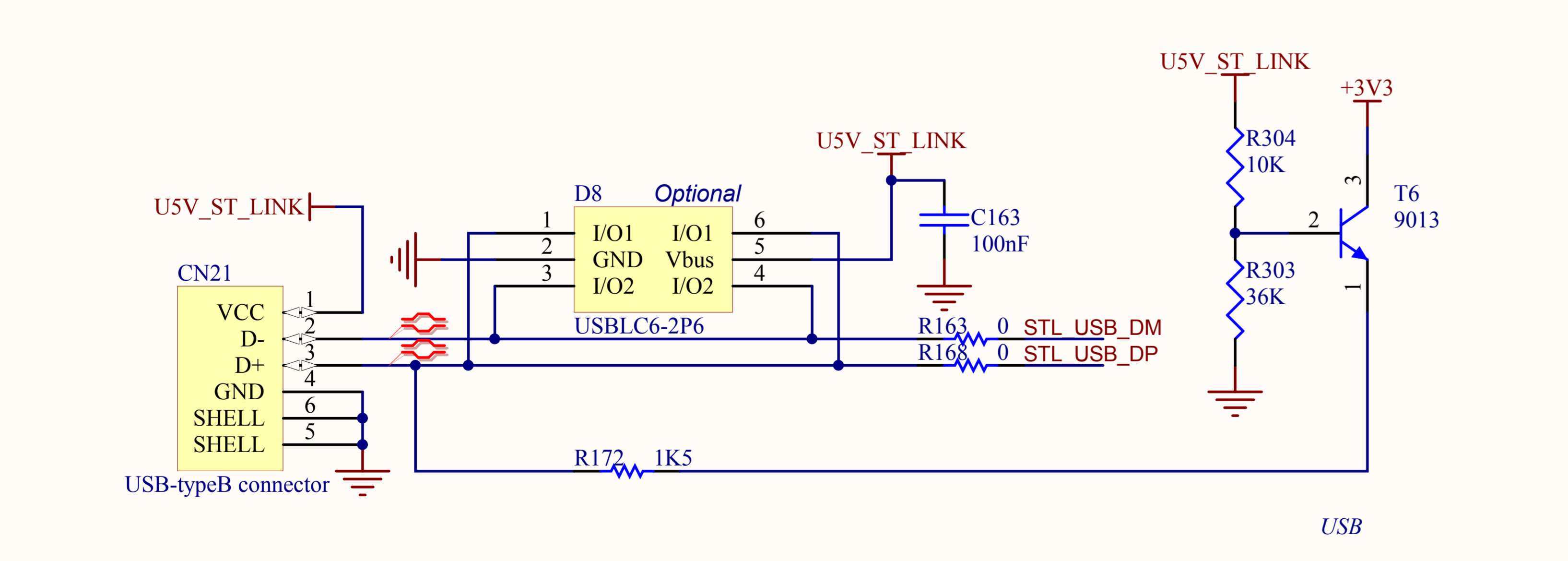
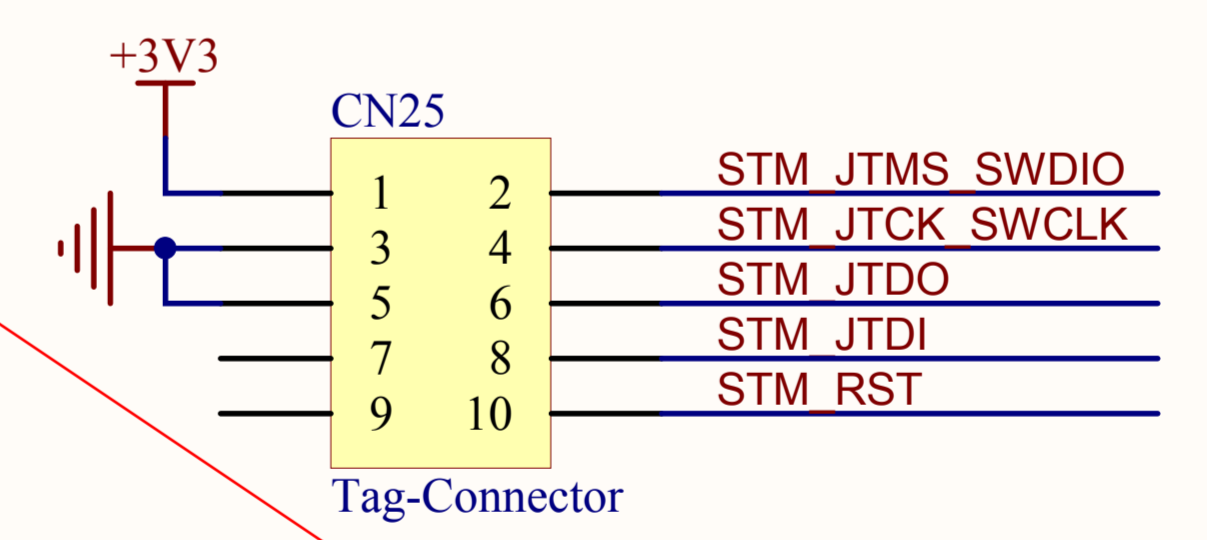
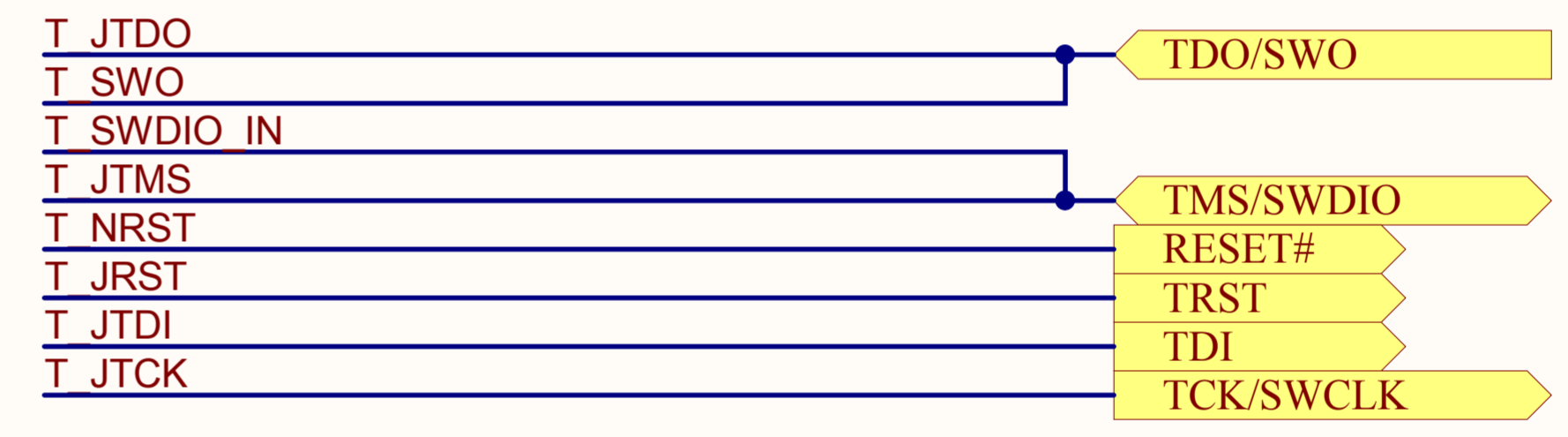
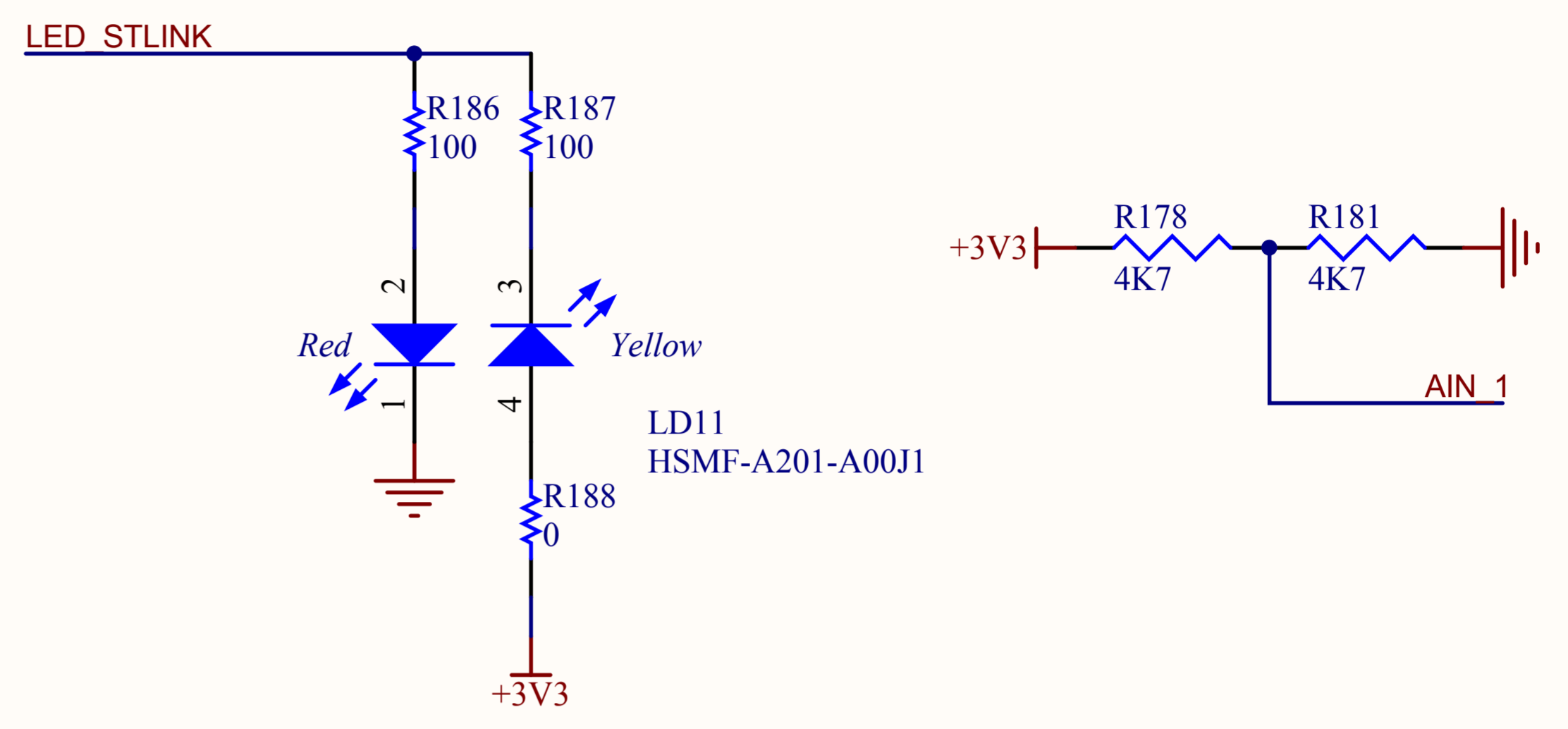
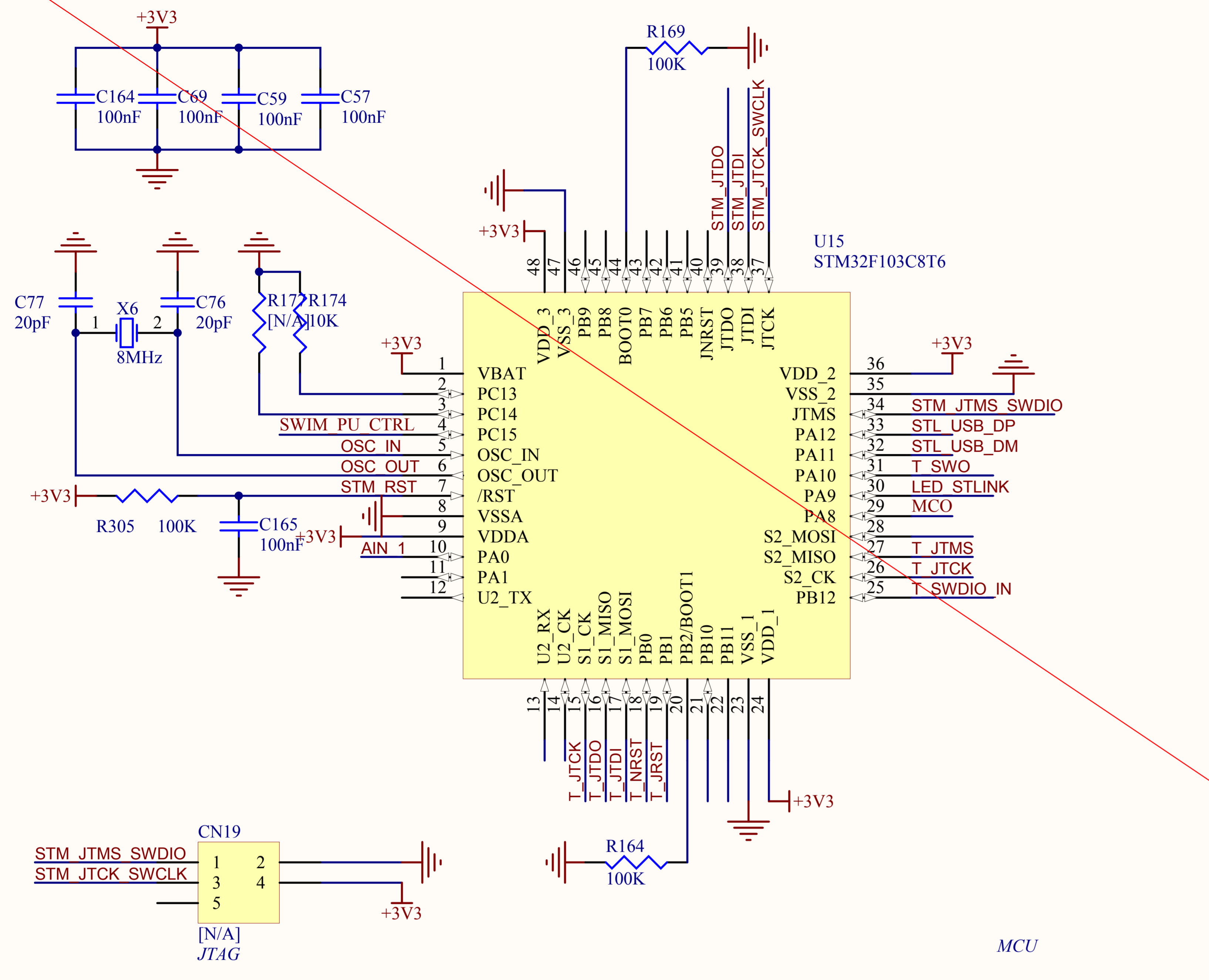
B

C

C

D

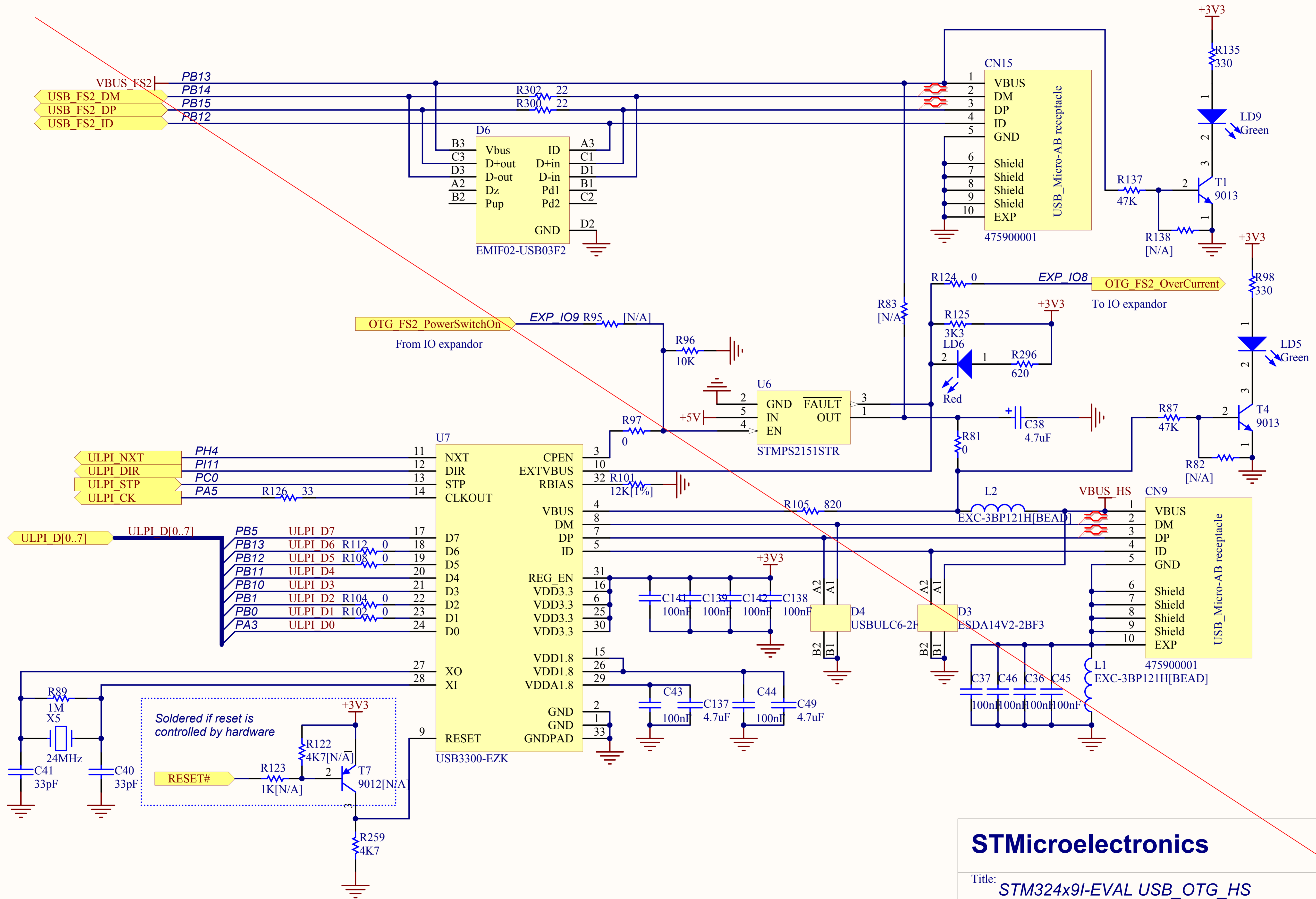
D

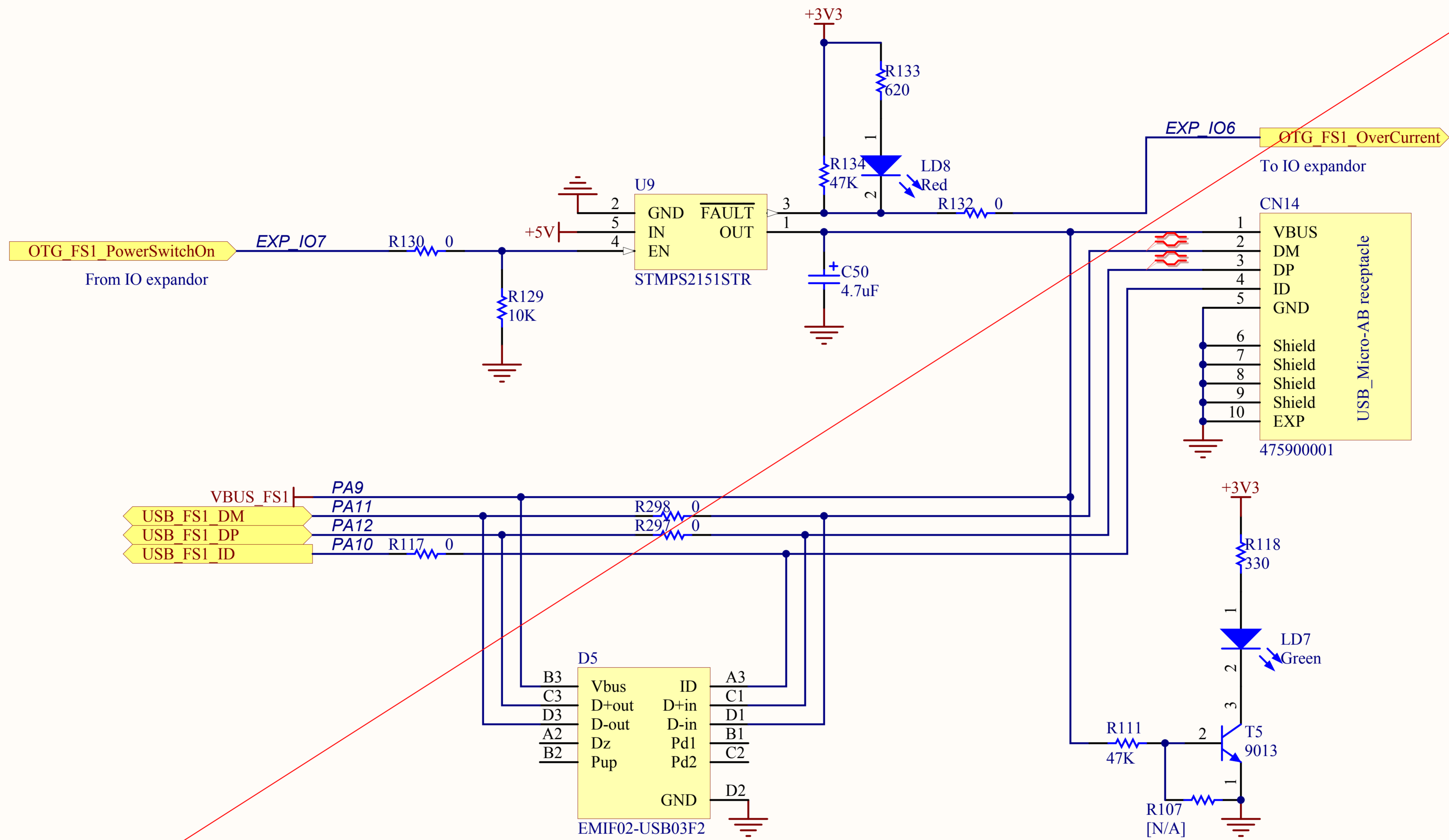


STMicroelectronics

Title: *STM324x9I-EVAL ST_LINK/V2*

Number: MB1045 | Rev: B.2(PCB.SCH) | Date: 7/24/2013 | Sheet 15 of 16





STMicroelectronics			
Title: STM324x9I-EVAL USB_OTG_FS			
Number: MB1045	Rev: B.2(PCB.SCH)	Date: 7/24/2013	Sheet 9 of 16