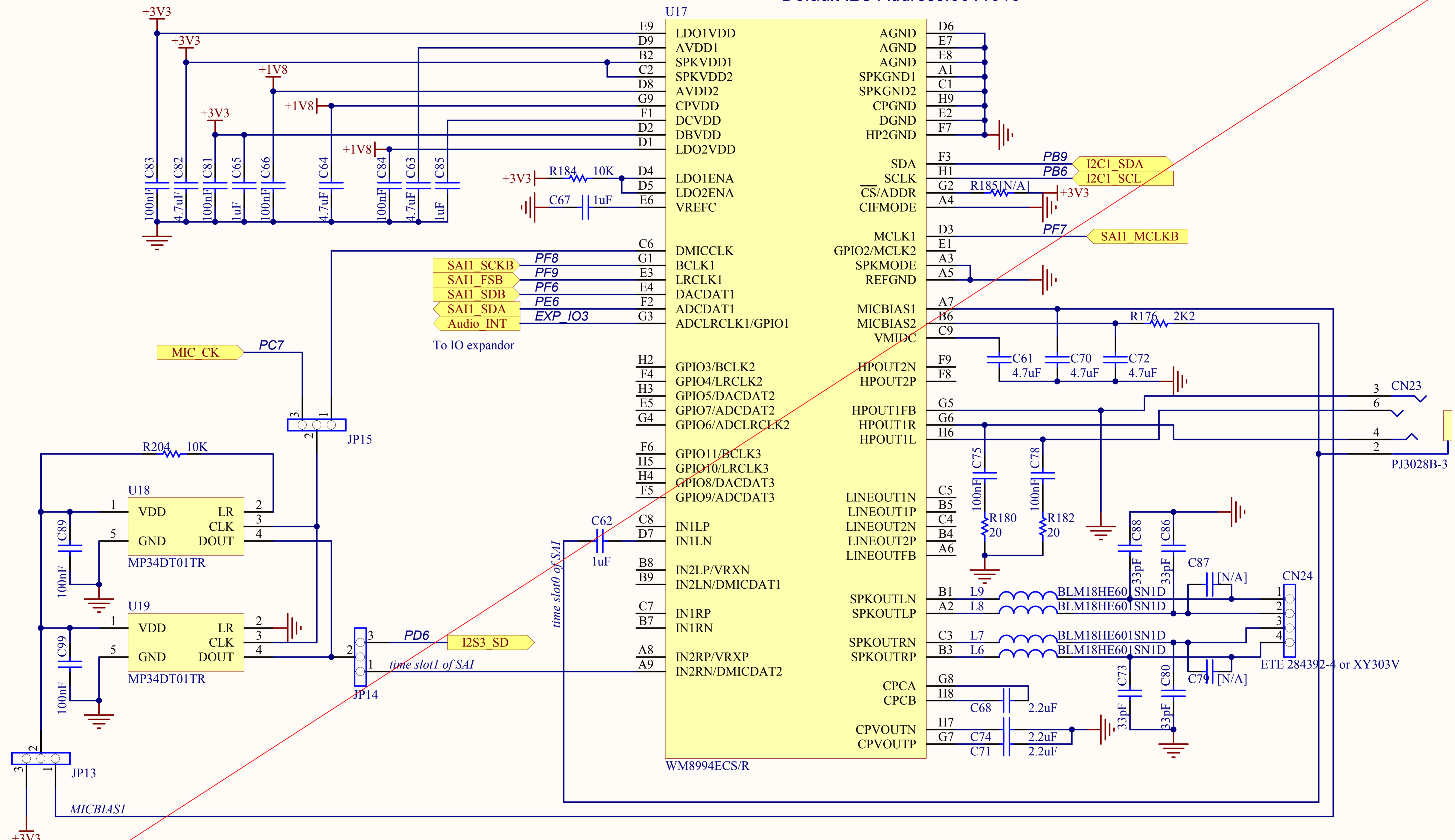


Note1: Text in italic placed on a wire doesn't correspond to net name. It just helps to identify rapidly MCU IO related to this wire.  
 Note2:ESD protection component D15 on CAN was added from Version A.1 to B.1  
 Note3:Jumper JP16(CAN\_RX) replaced R259 from Version A.1 to B.1  
 Note4:Signal LCD\_ON/OFF on PC6 was removed from Version A.1 to B.1  
 Note5:Reset pin of U7 was controlled by system reset from Version A.1 to B.1  
 Note6:BSN20 were used on TR1 and TR2 from Version A.1 to B.1  
 Note7:R16 was unmounted by default from Version A.1 to B.1  
 Note8:PC6 as I2C\_CLK input timer and PC7 as output clock timer to Mems microphone from Version A.1 to B.1  
 Note9:SDRAM's part number was changed to MT48LC4M32B2B5-7 from Version A.1 to B.1  
 Note10:Bootloader function was removed from B.1 to B.2

Default I2C Address:0011010



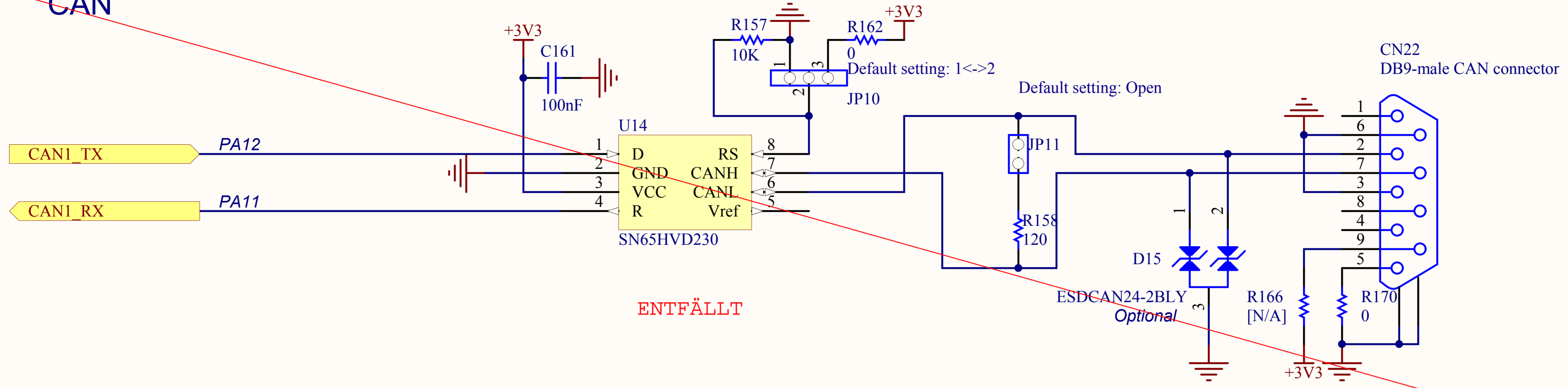
ENTFÄLLT

**STMicroelectronics**    ENTFÄLLT

Title: **STM324x9I-EVAL Audio**

Number: MB1045    Rev: B.2(PCB.SCH)    Date: 7/24/2013    Sheet 5 of 16

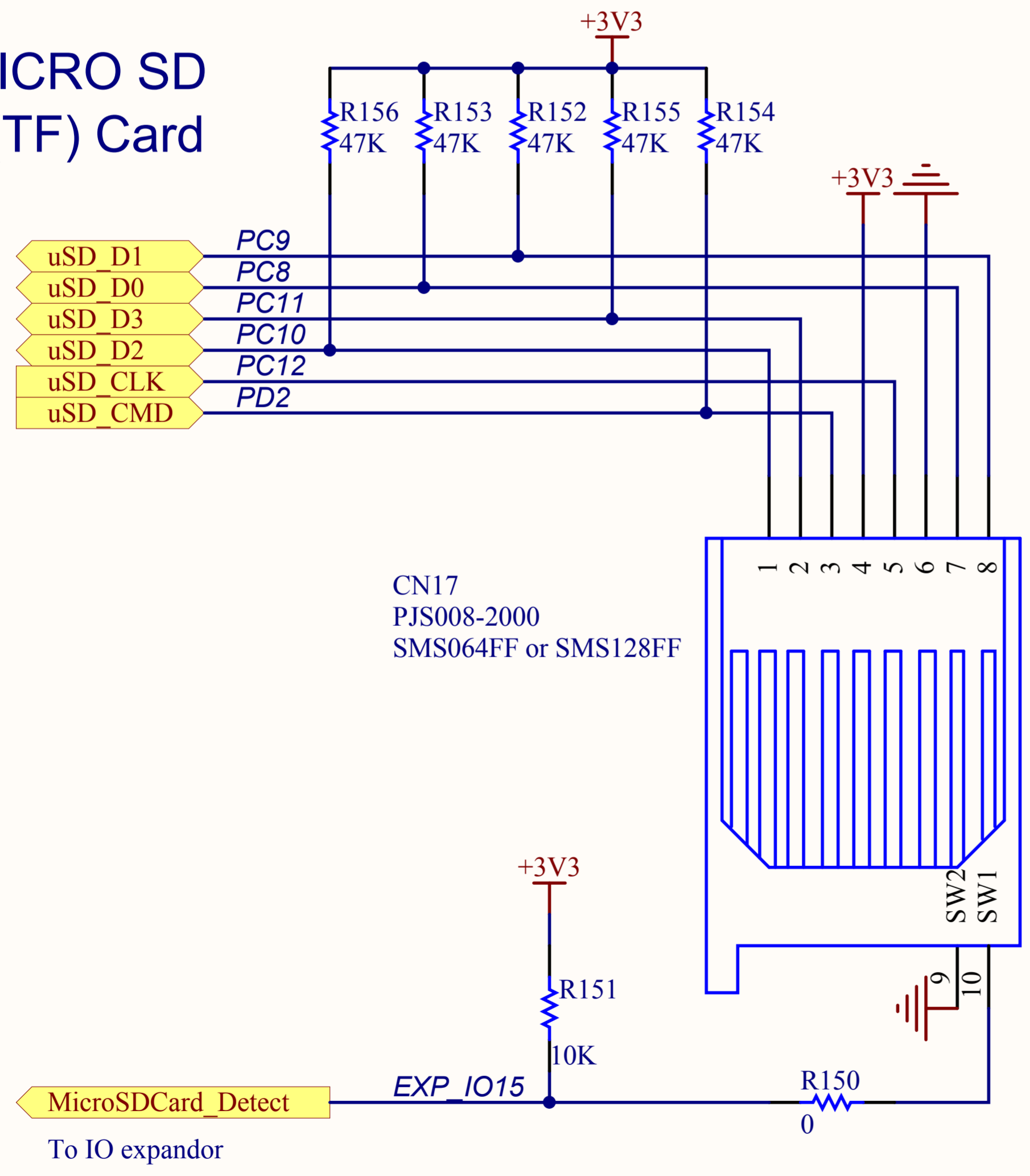
# CAN



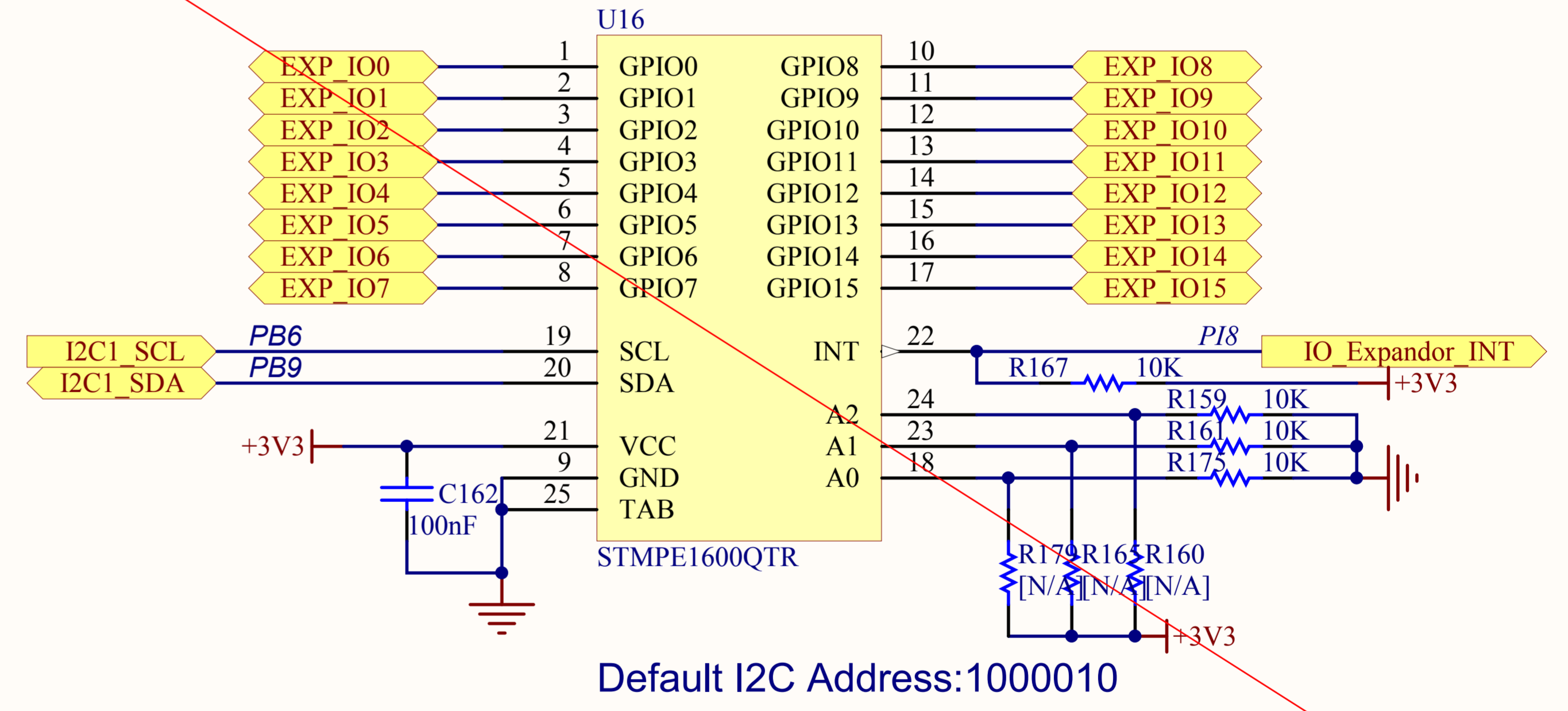
ENTFÄLLT

ENTFÄLLT

# MICRO SD (TF) Card



# IO Expander

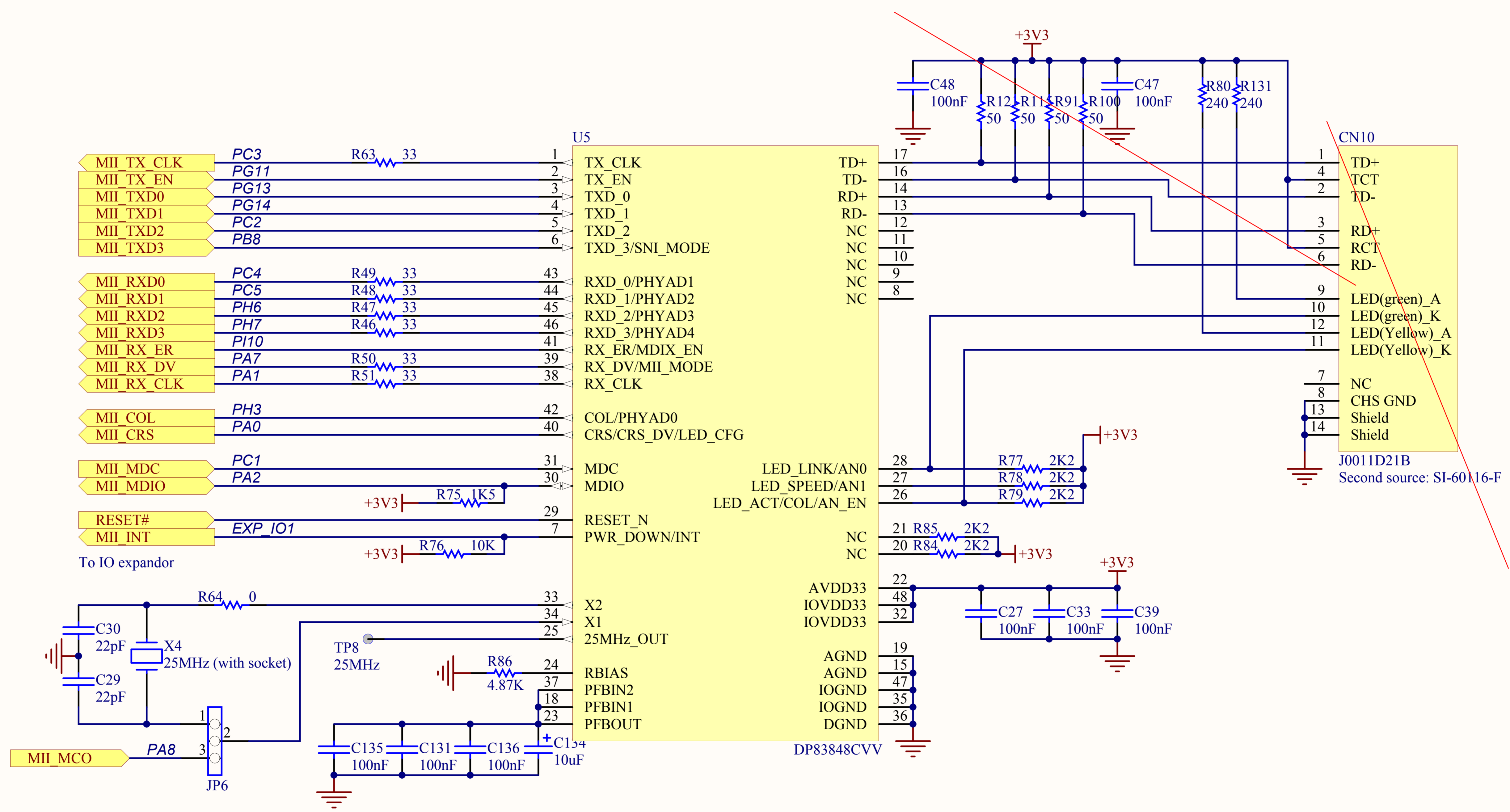


Default I2C Address: 1000010

**STMicroelectronics**

Title: *STM324x9I-EVAL CAN&uSD&IO\_Expander*

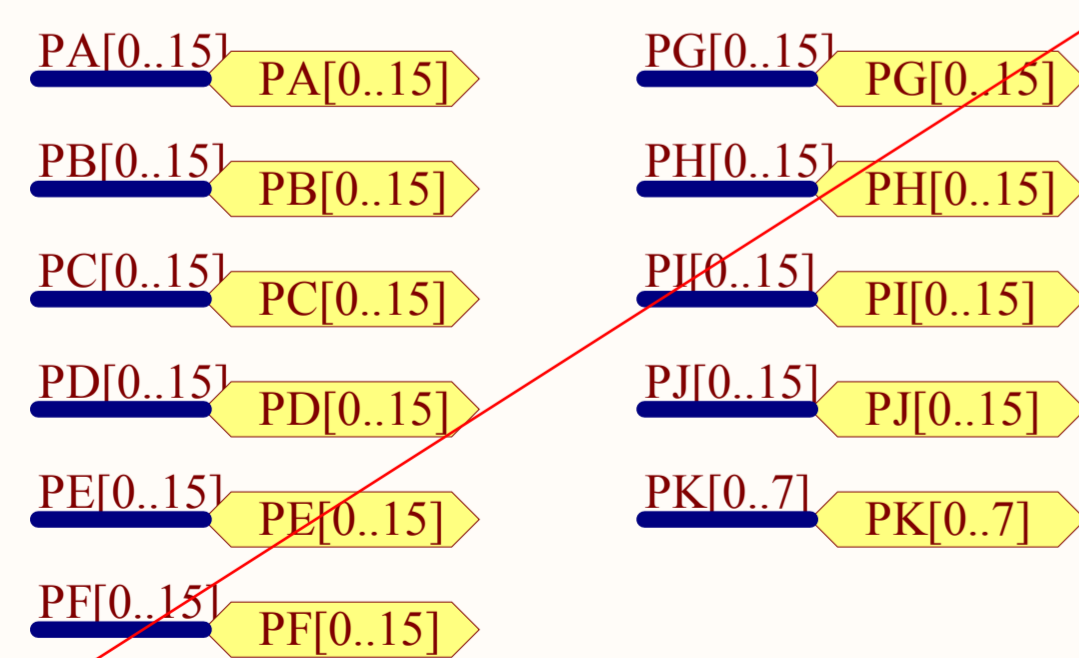
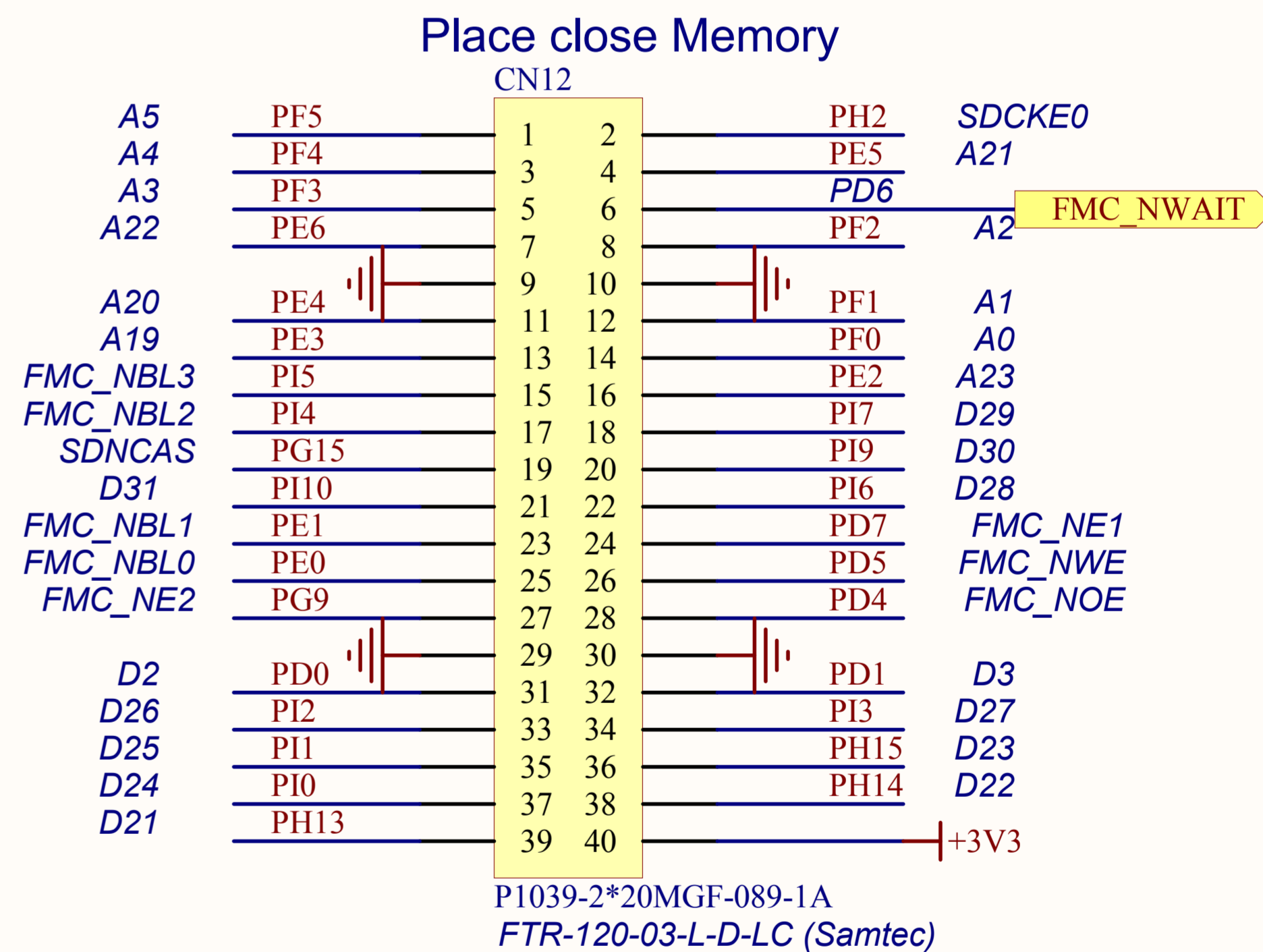
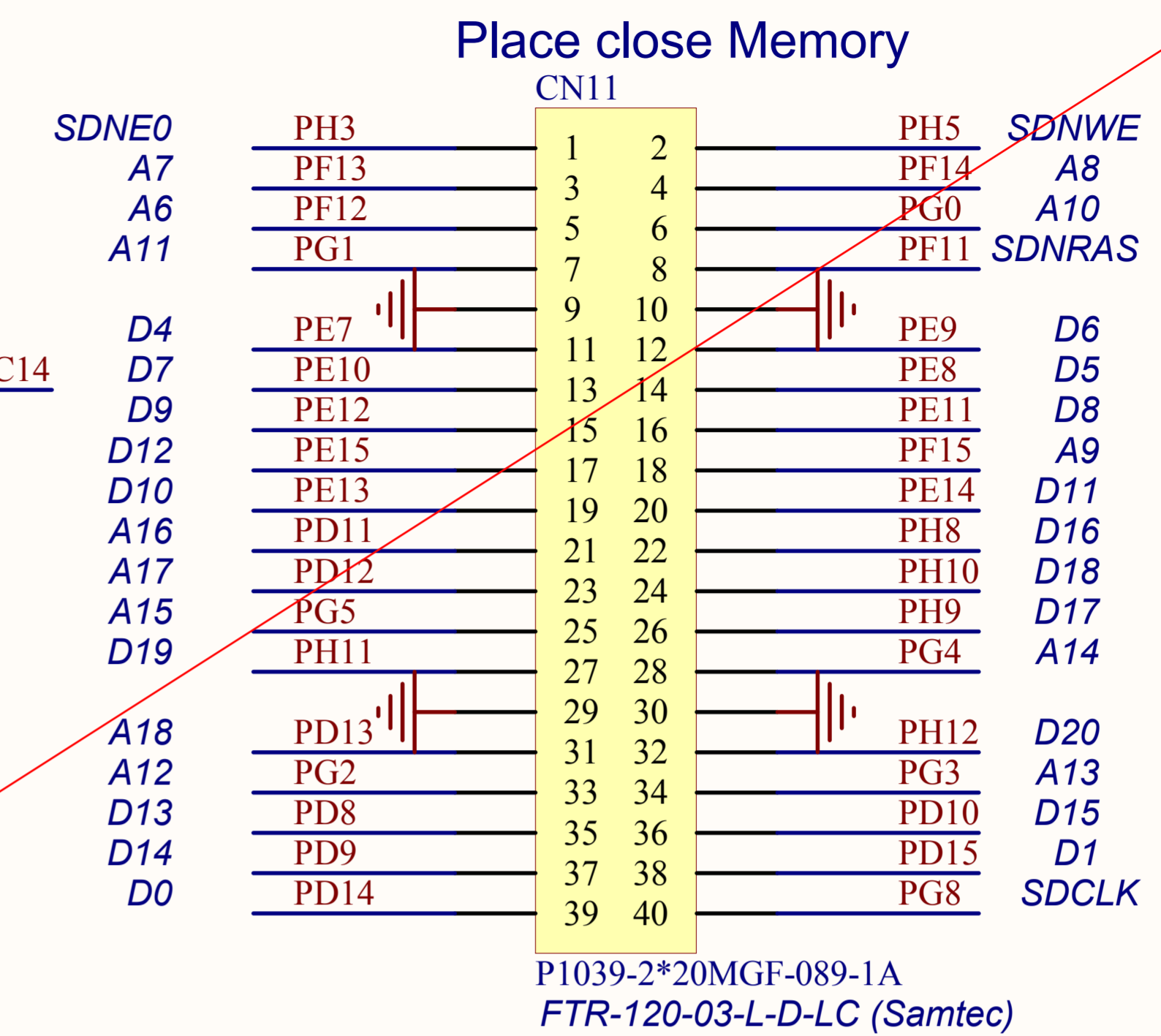
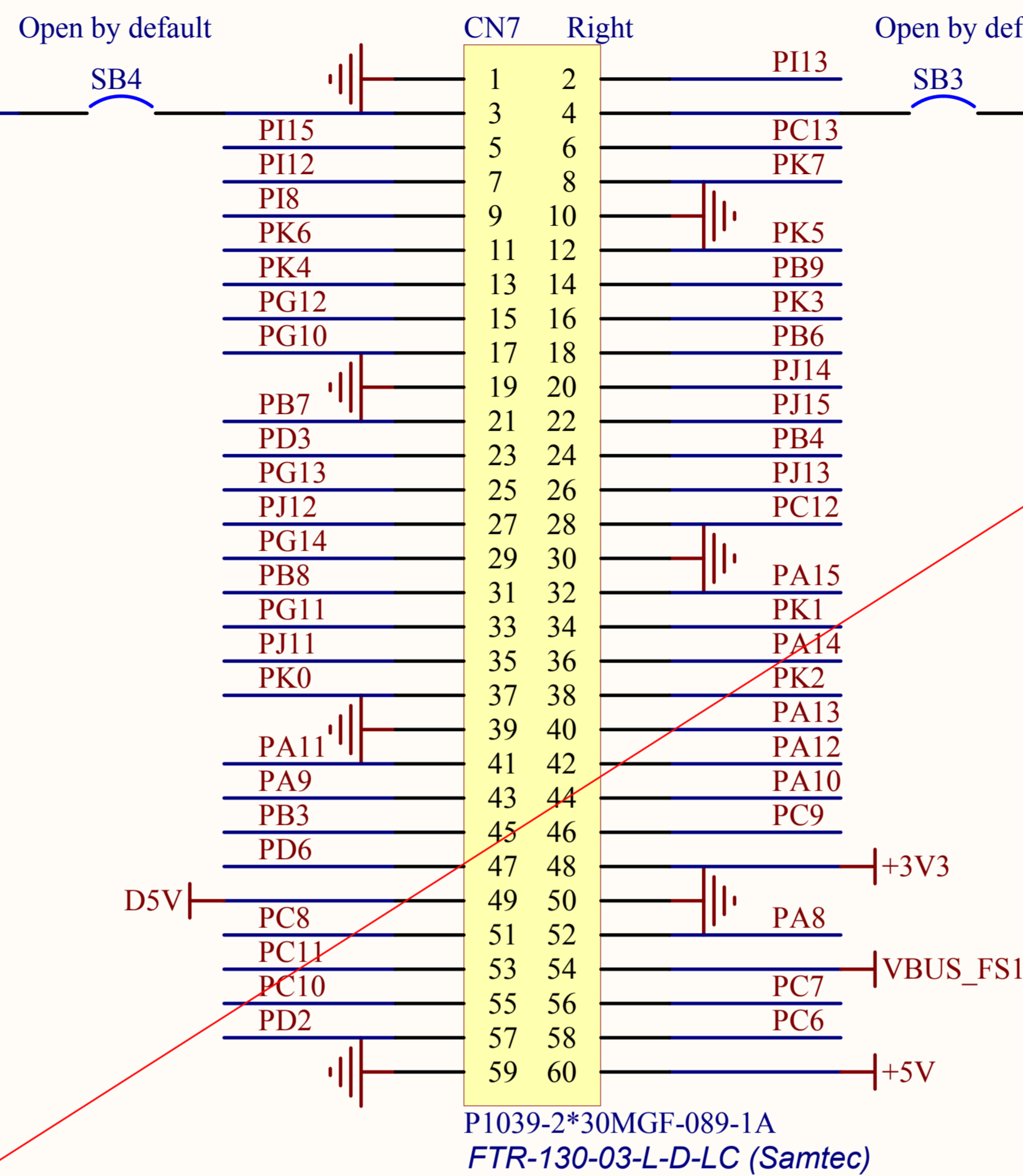
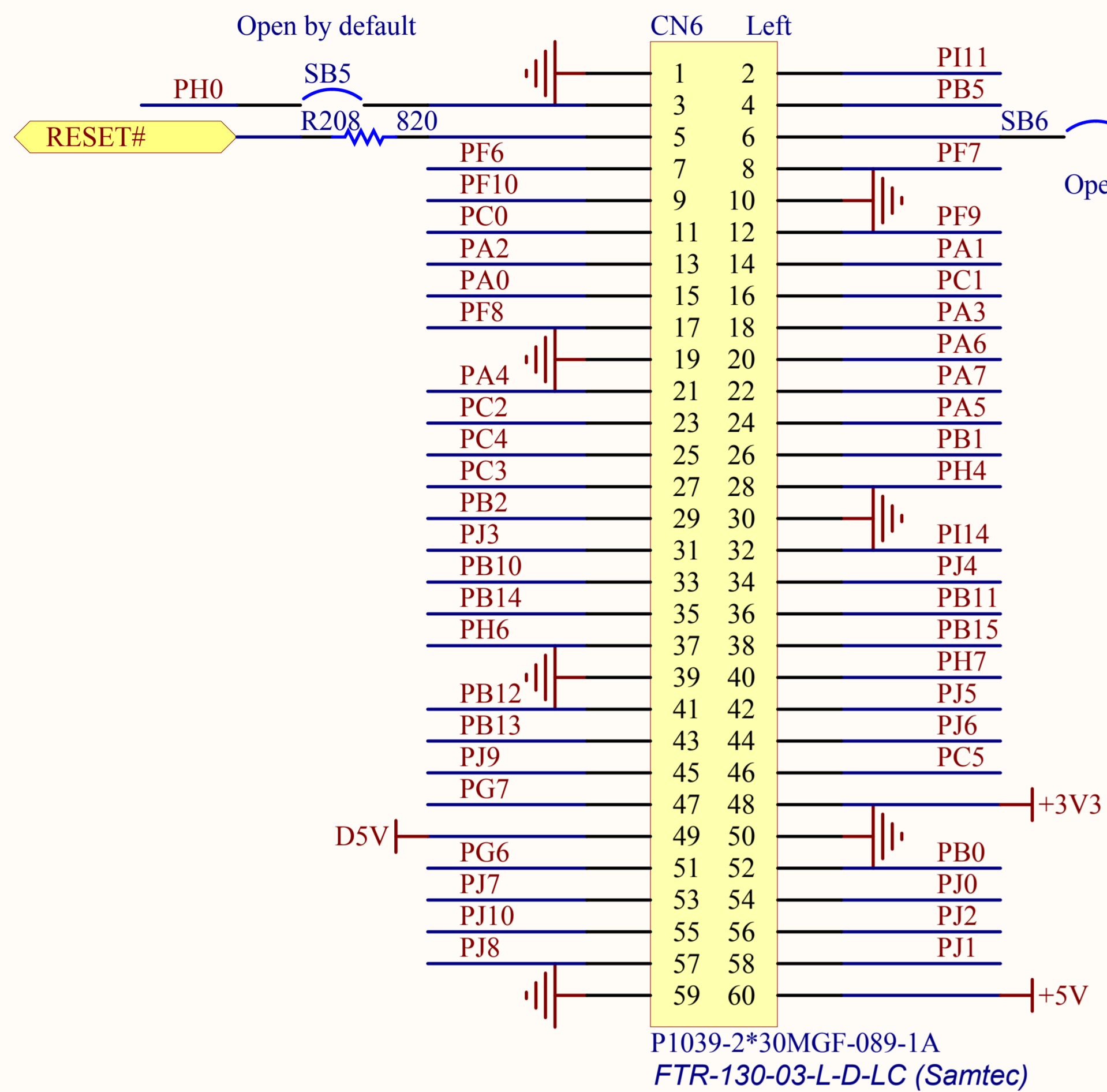
Number: MB1045 | Rev: B.2(PCB.SCH) | Date: 7/24/2013 | Sheet 11 of 16



**STMicroelectronics**

Title: *STM324x9I-EVAL Ethernet*

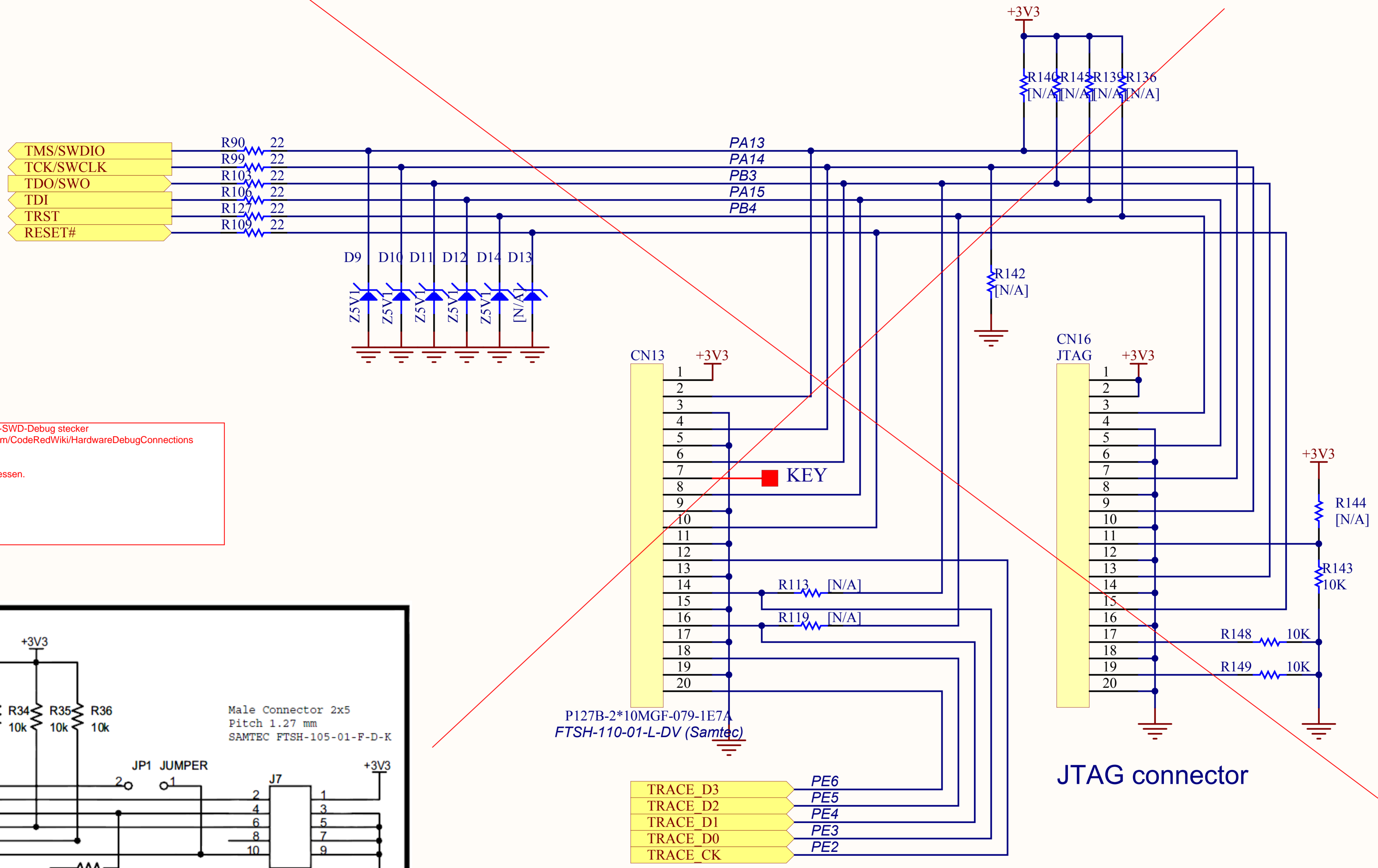
Number: MB1045 | Rev: B.2(PCB.SCH) | Date: 7/24/2013 | Sheet 7 of 16



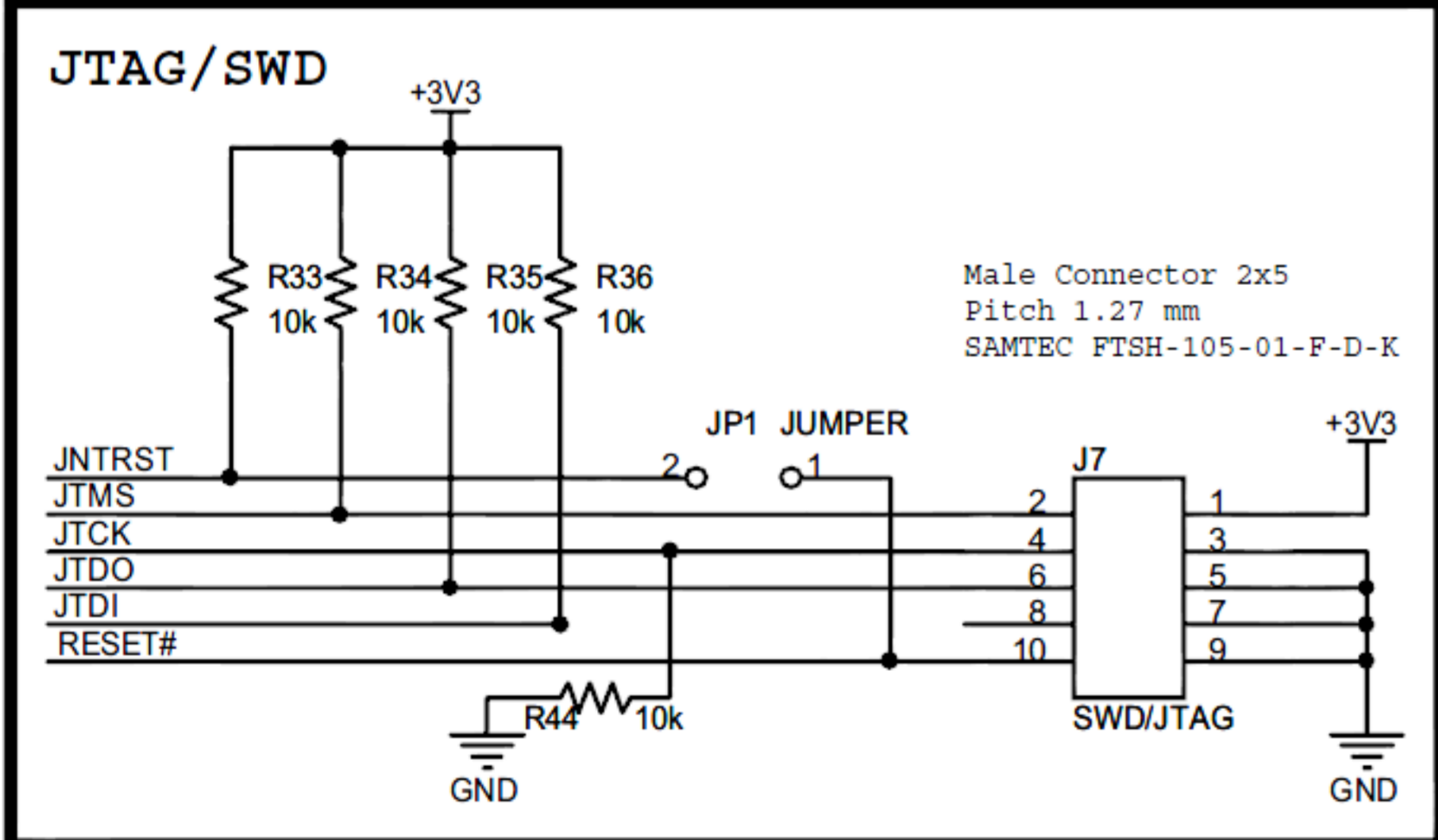
**STMicroelectronics**

Title: *STM324x9I-EVAL Extension connector*

Number: MB1045    Rev: B.2(PCB.SCH)    Date: 7/24/2013    Sheet 14 of 16



Stattdessen 10 poliger samtec ARM-SWD-Debug stecker  
<http://www.support.code-red-tech.com/CodeRedWiki/HardwareDebugConnections>  
 bzw.  
 Siehe hier im Schematic SWD.  
 Wichtig! Pull up & Downs nicht vergessen.



Trace connector

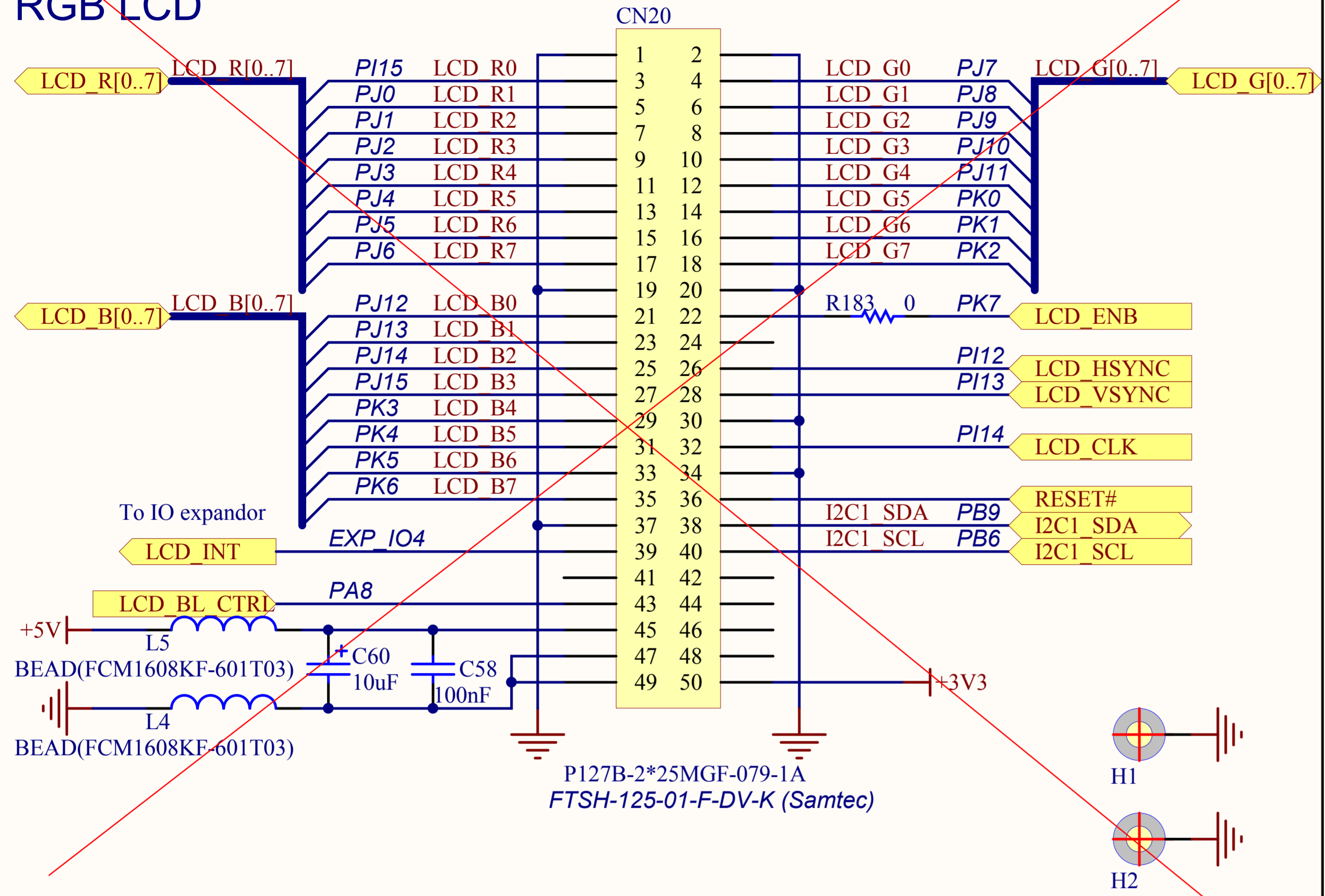
JTAG connector

**STMicroelectronics**

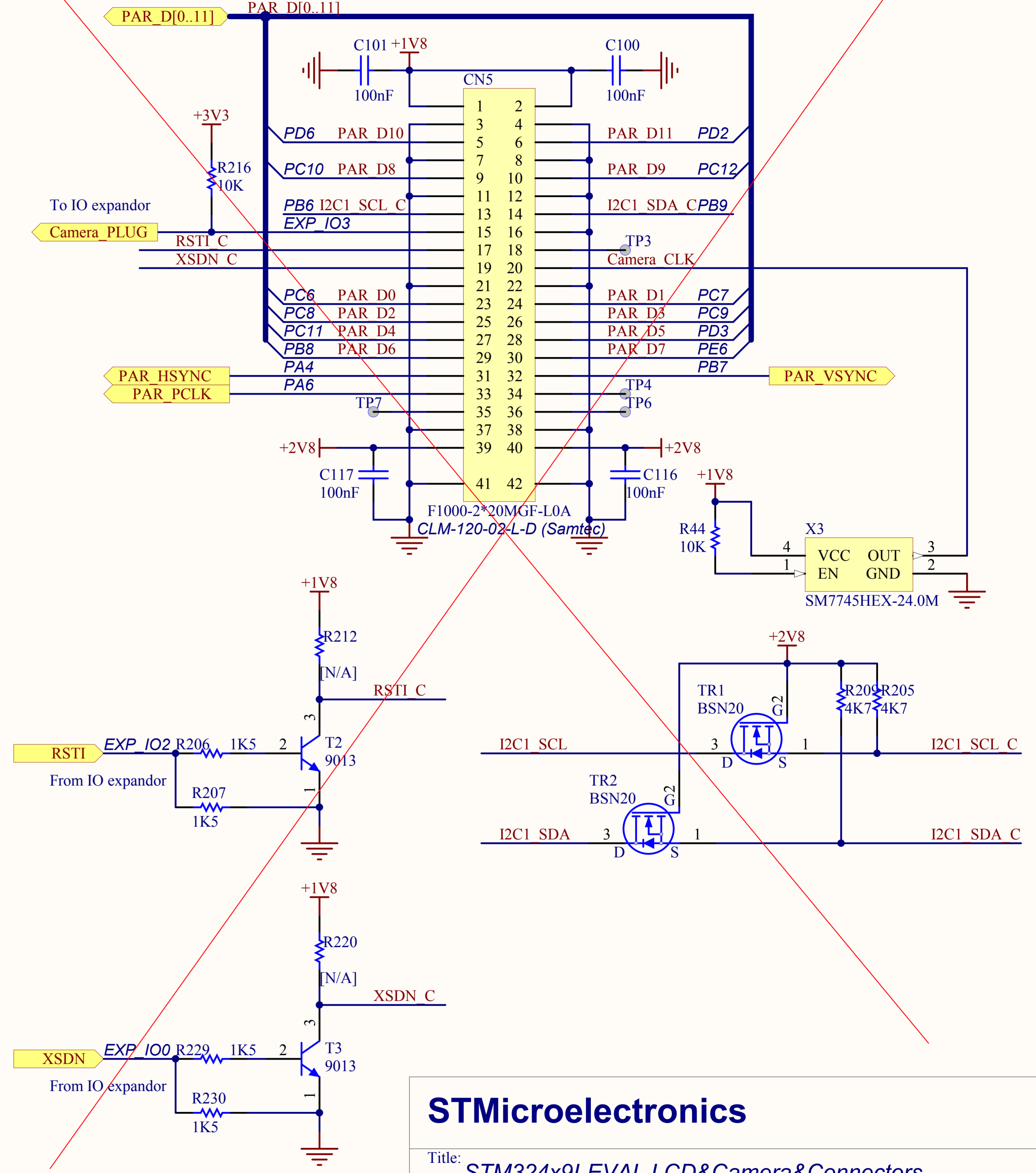
Title: *STM324x9I-EVAL JTAG&Trace*

Number: MB1045 | Rev: B.2(PCB.SCH) | Date: 7/24/2013 | Sheet 16 of 16

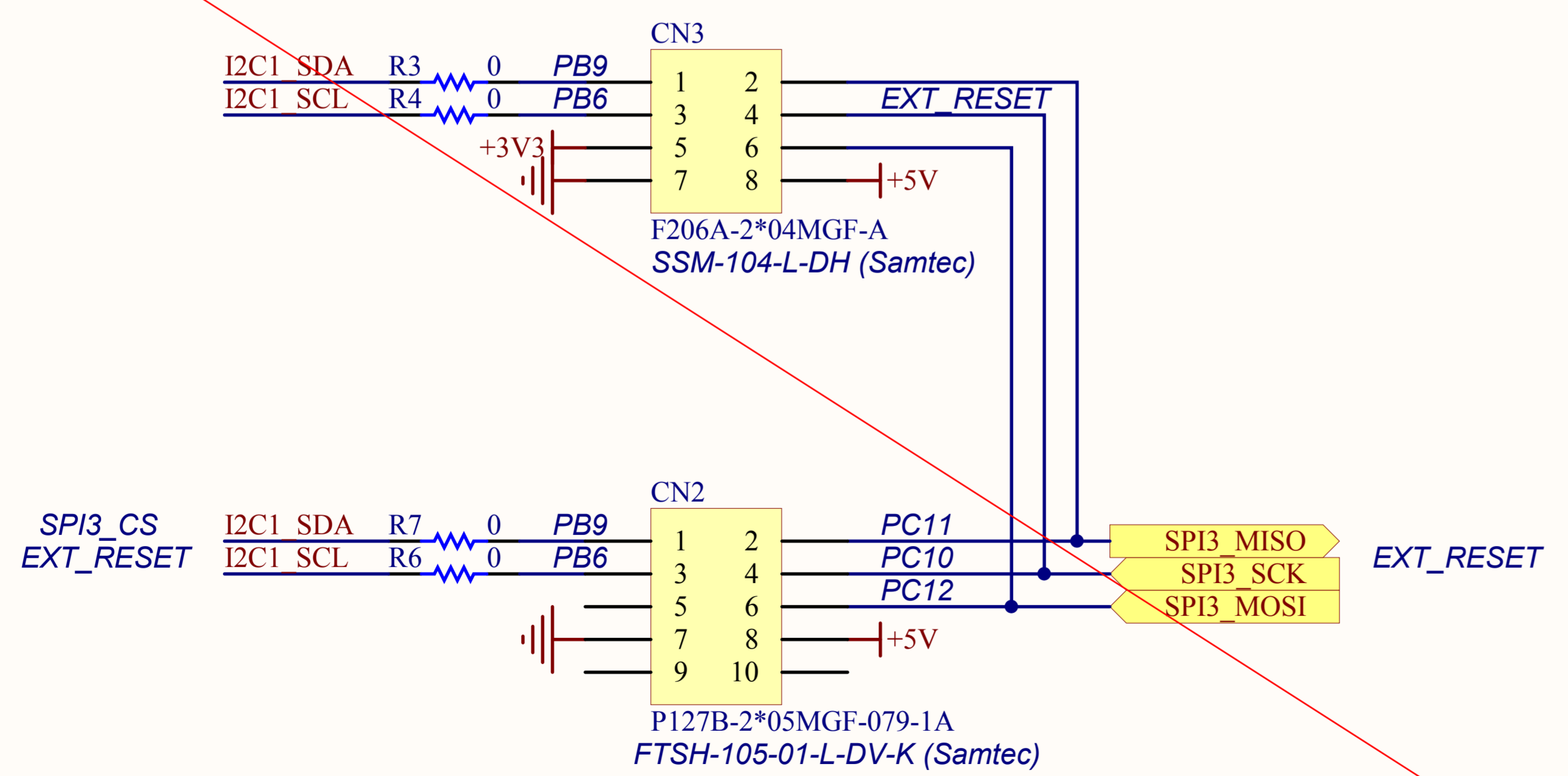
# RGB LCD



# Camera

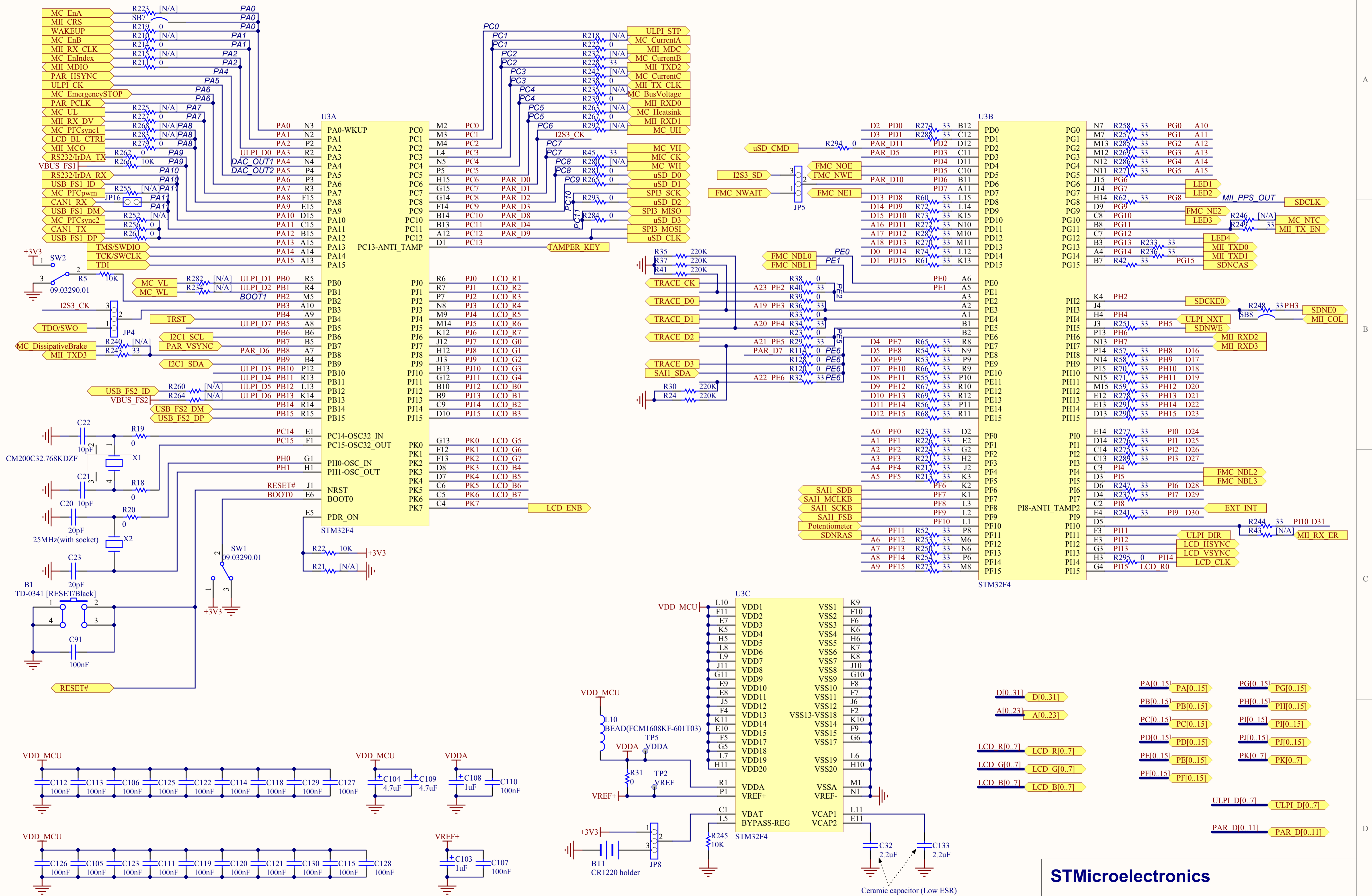


# EXT/RF E2P Connector

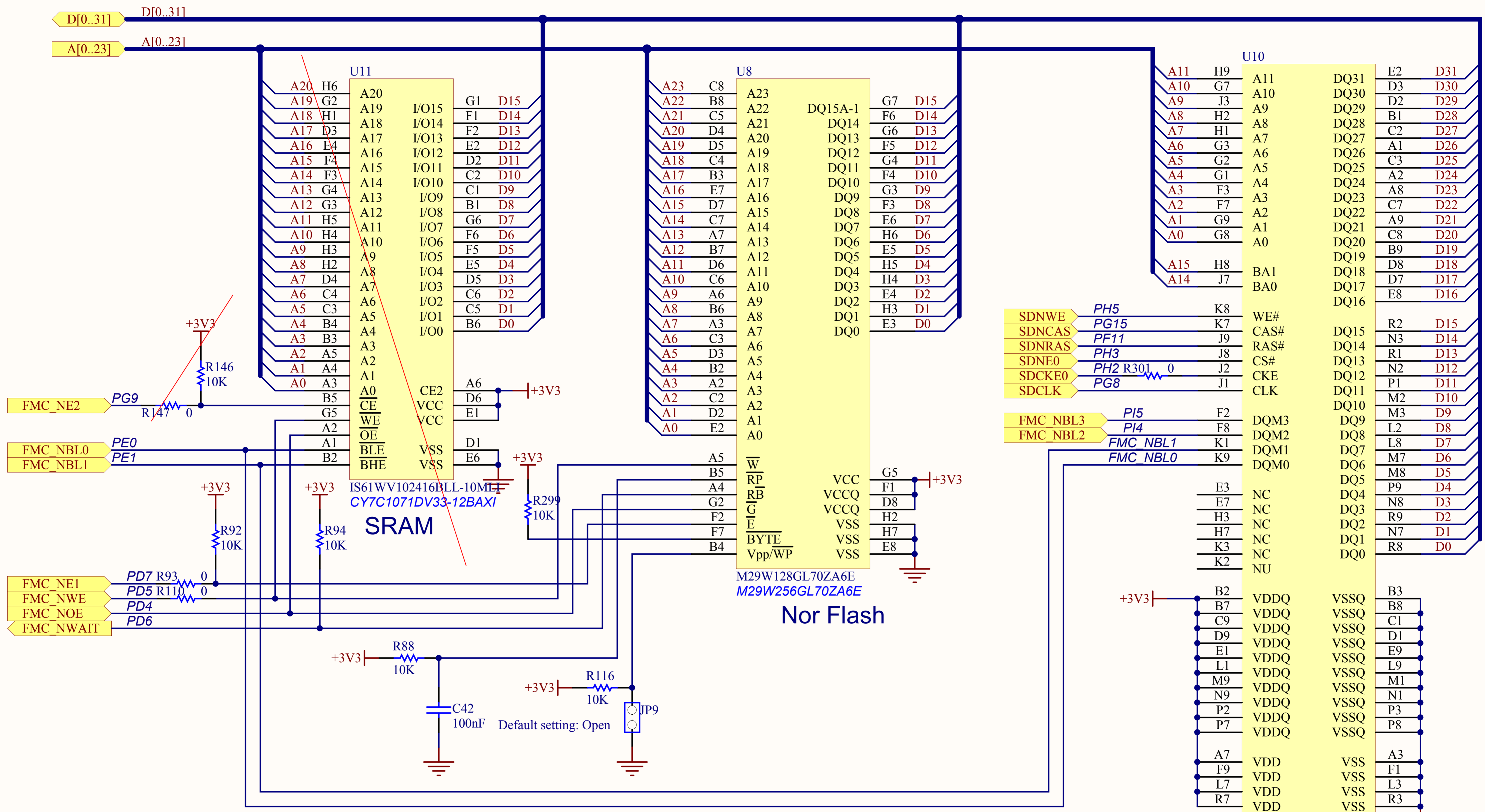


**STMicroelectronics**

Title: *STM324x9I-EVAL LCD&Camera&Connectors*





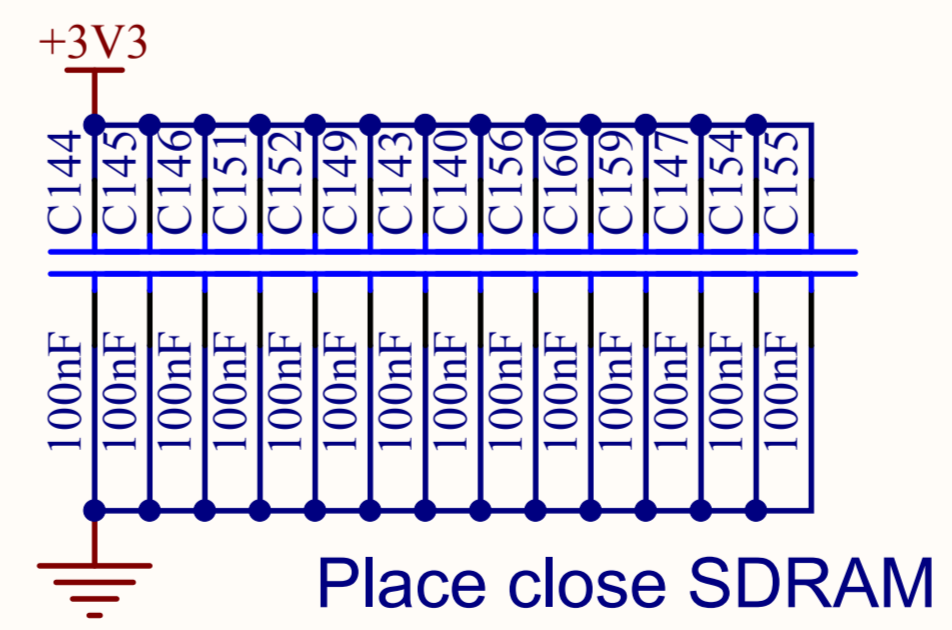
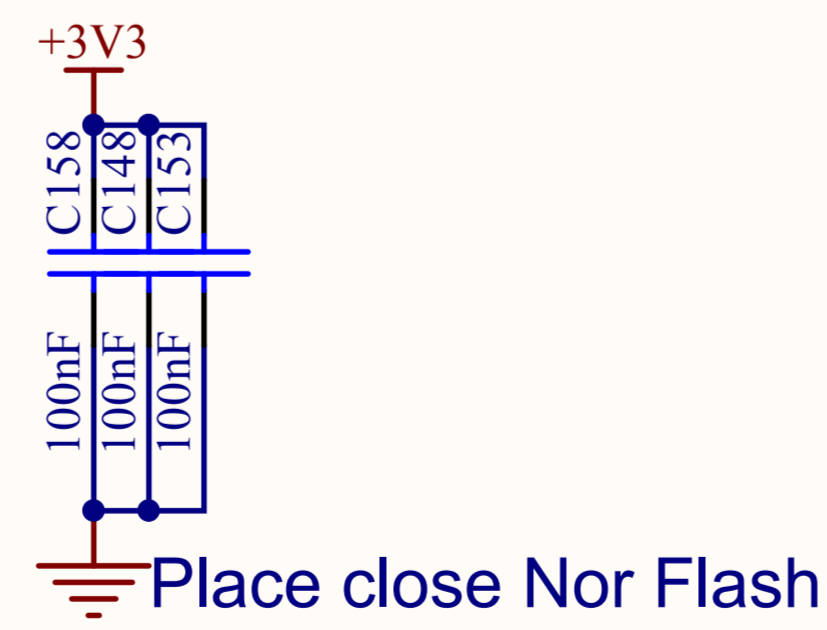
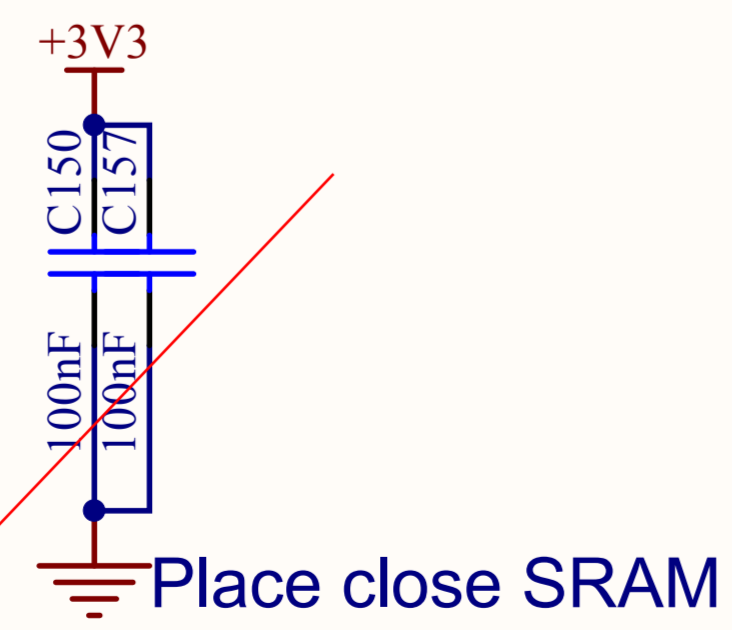


SDNWE	PH5	K8
SDNCAS	PG15	K7
SDNRAS	PF11	J9
SDNE0	PH3	J8
SDCKE0	PH2 R301	J2
SDCLK	PG8	J1

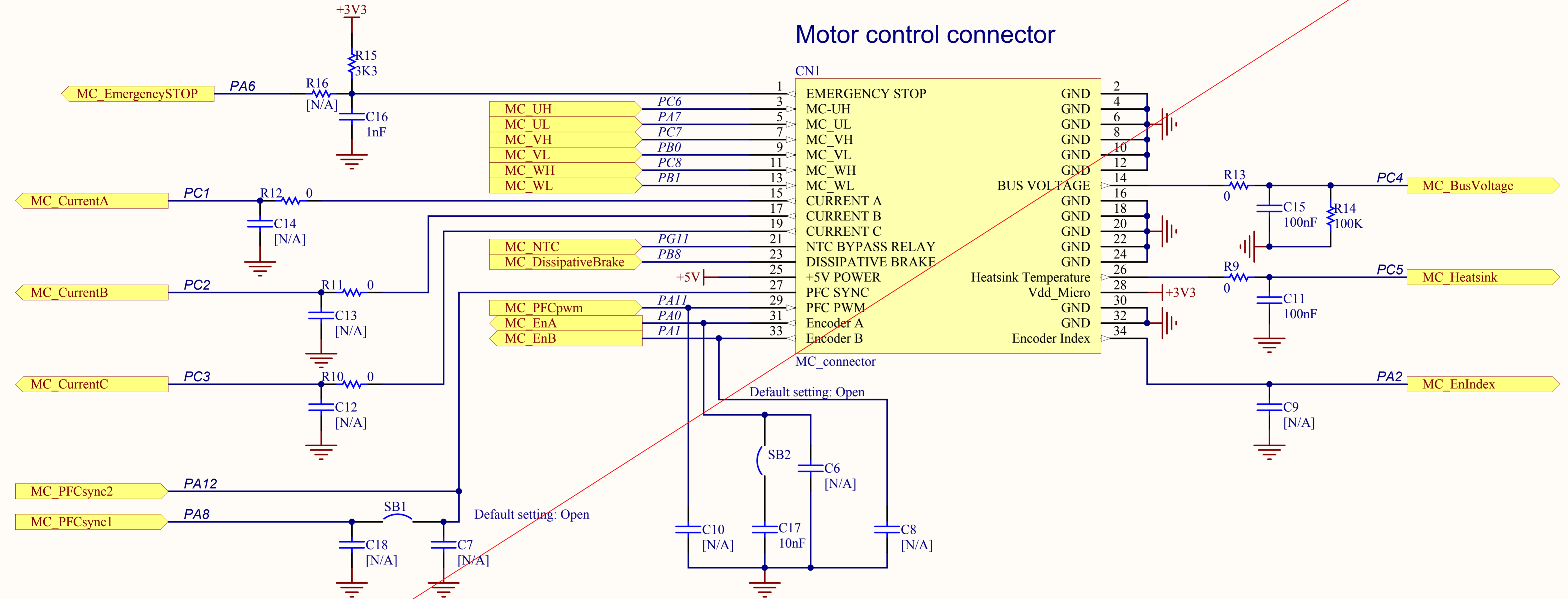
FMC_NBL3	PI5	F2
FMC_NBL2	PI4	F8
FMC_NBL1	FMC_NBL1	K1
FMC_NBL0	FMC_NBL0	K9

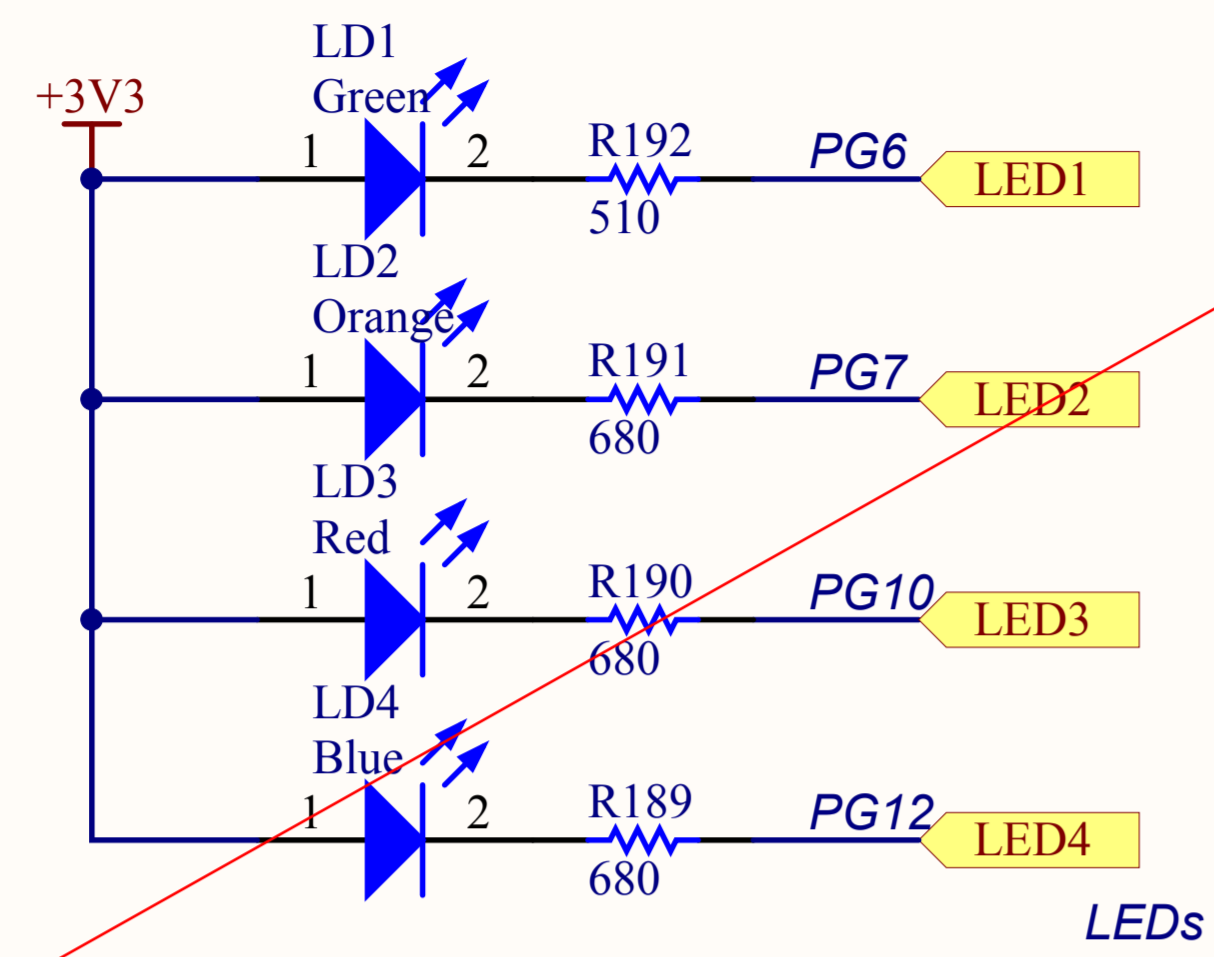
# STMicroelectronics

Title: *STM324x9I-EVAL SRAM&FLASH&SDRAM*



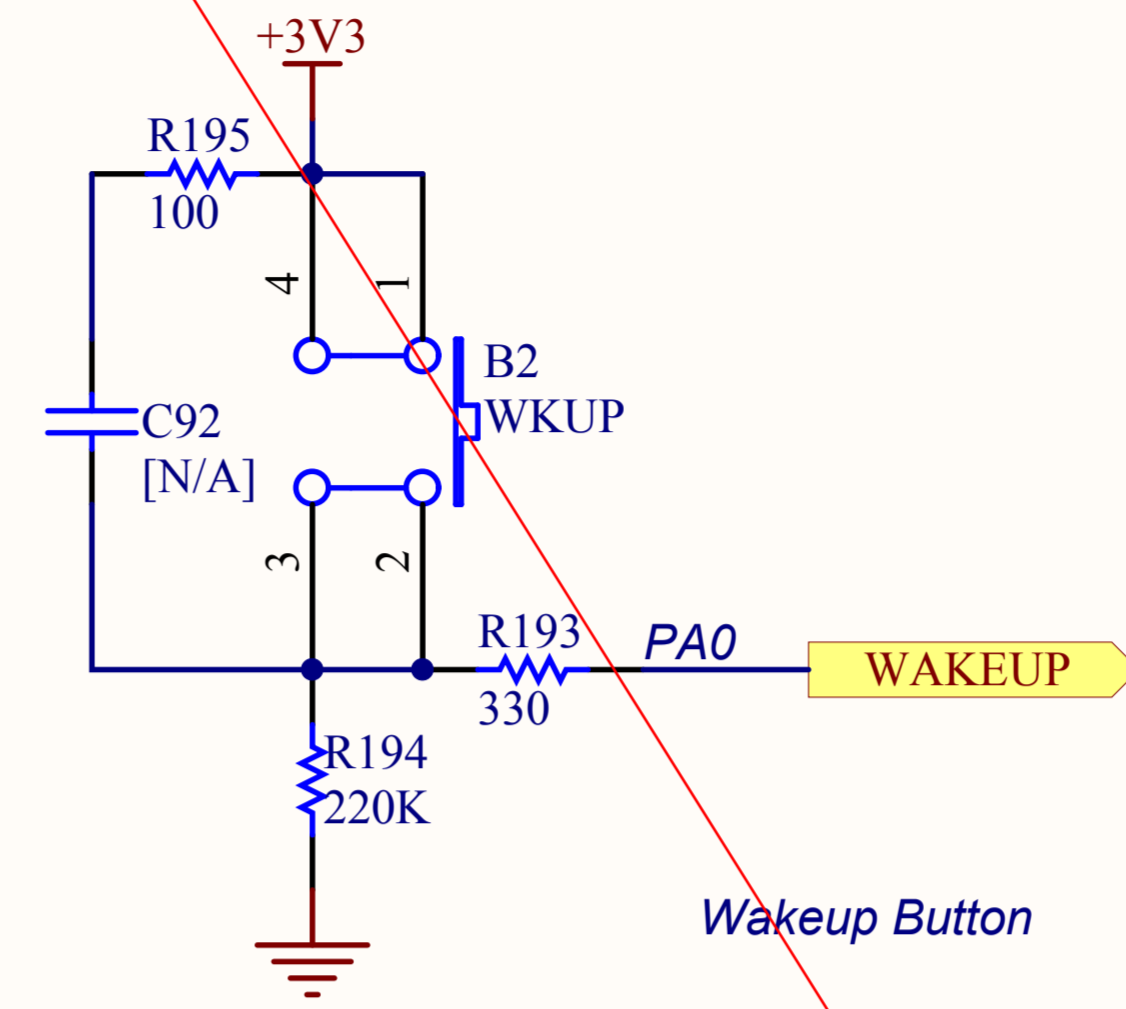
### Motor control connector



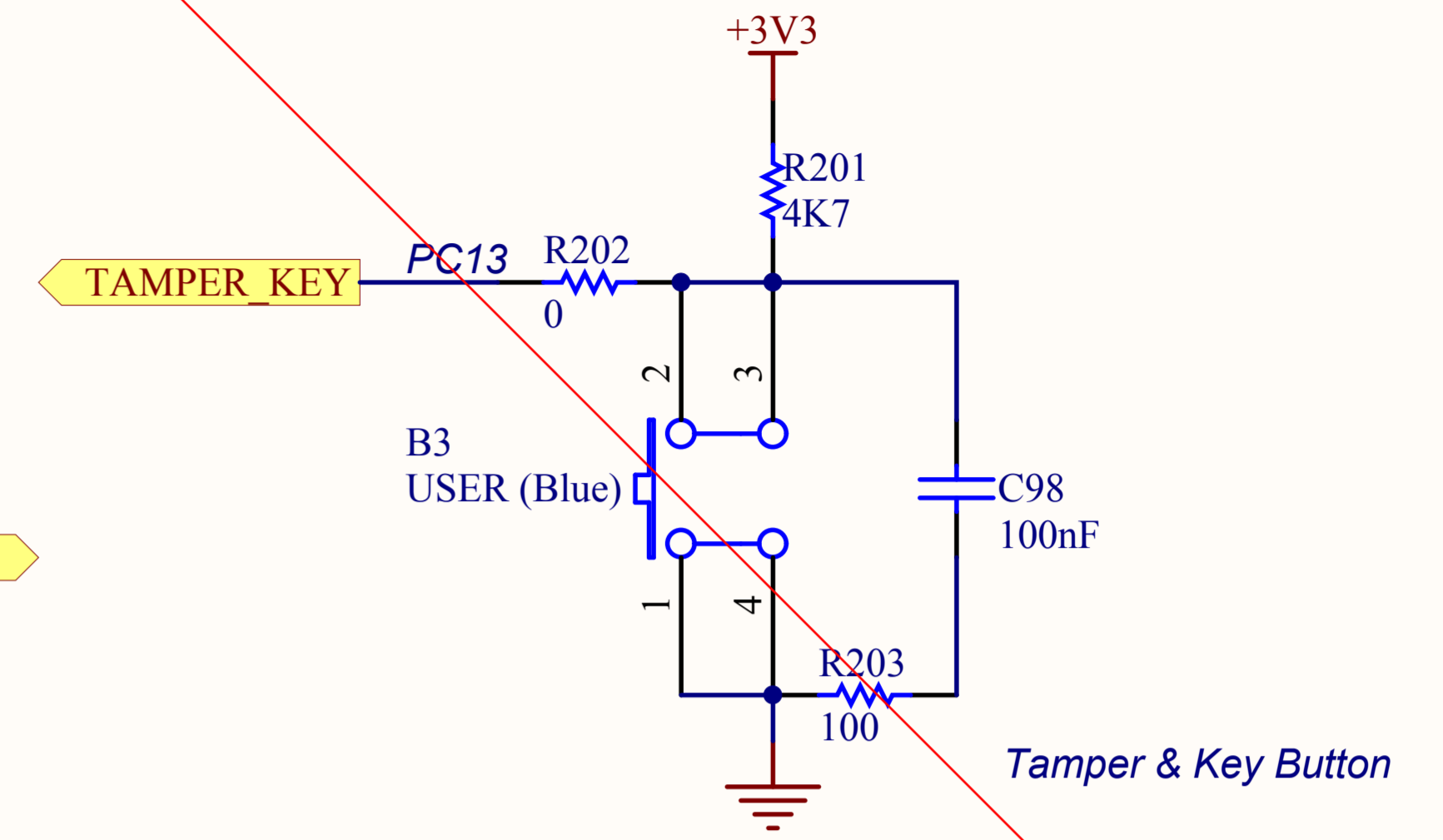


Stattdessen nur eine LED für PowerON (3V3) (grün)

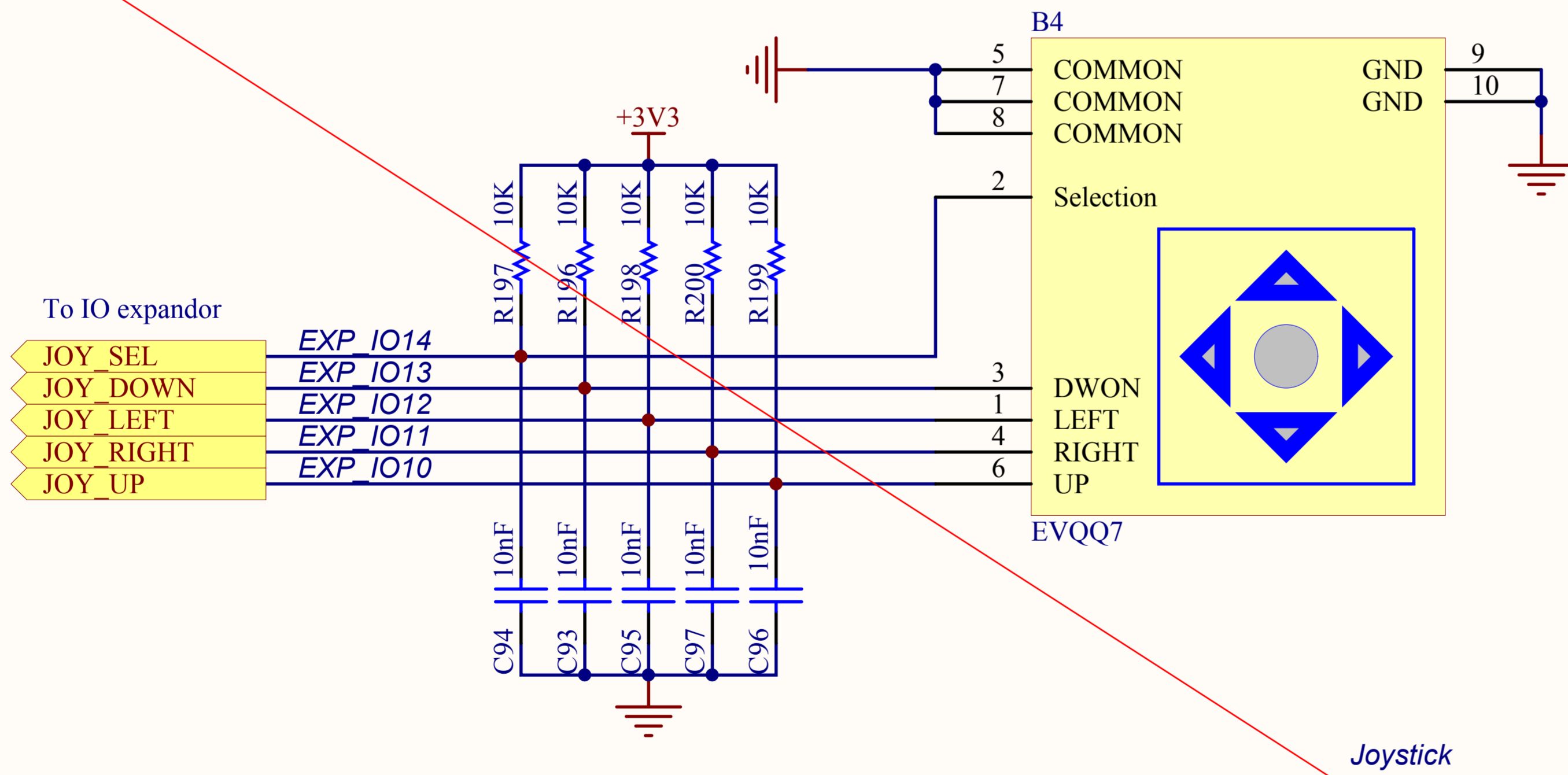
LEDs



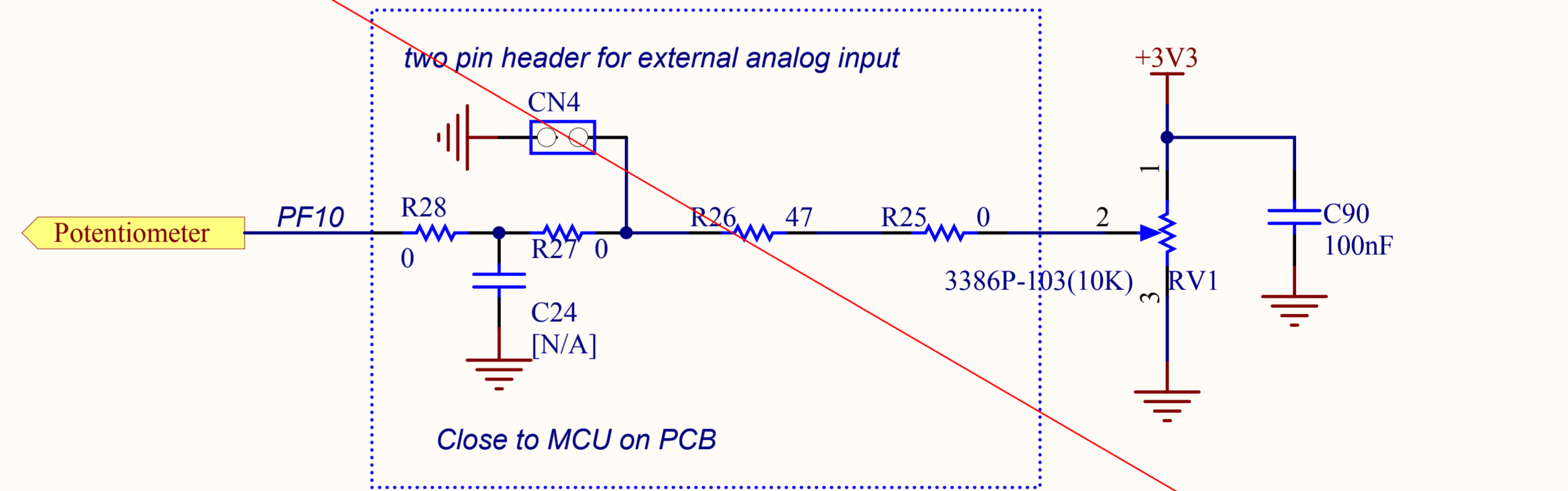
Wakeup Button



Tamper & Key Button



Joystick

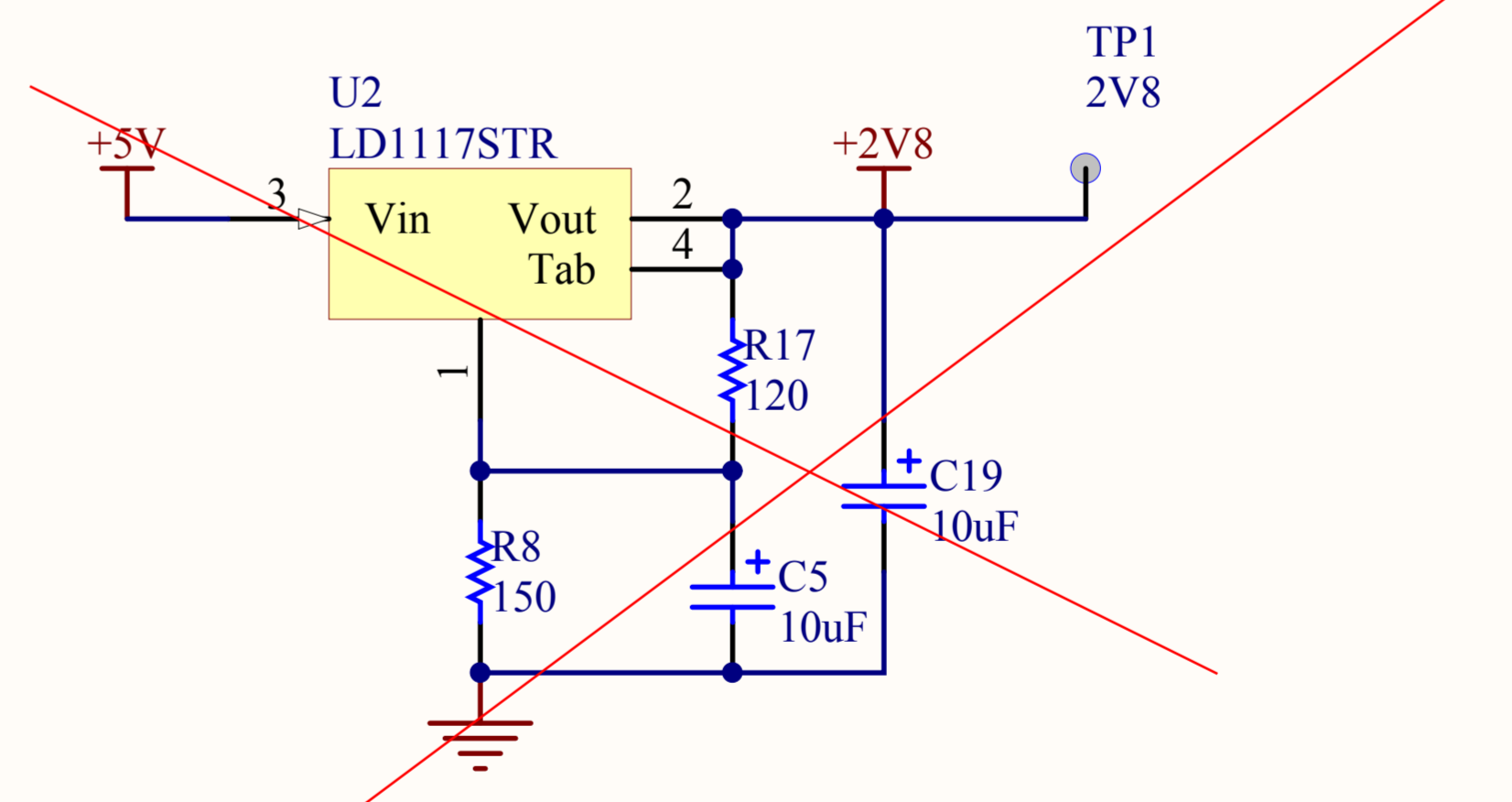
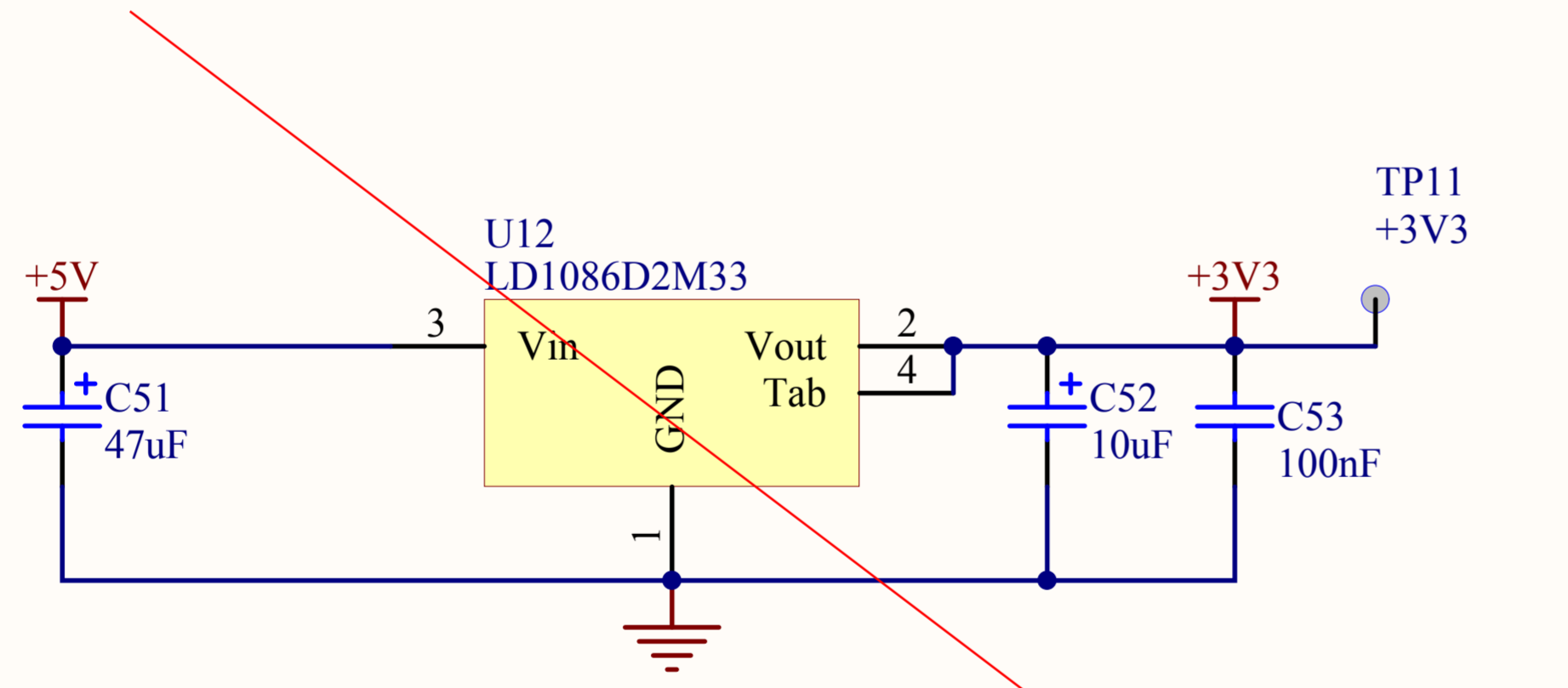
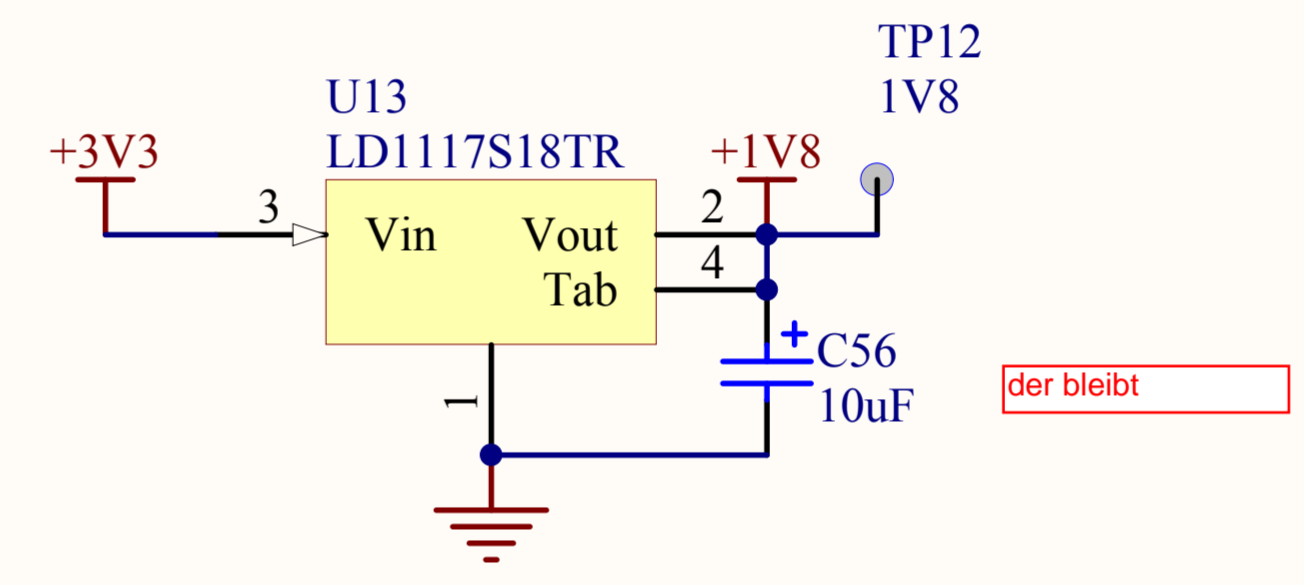
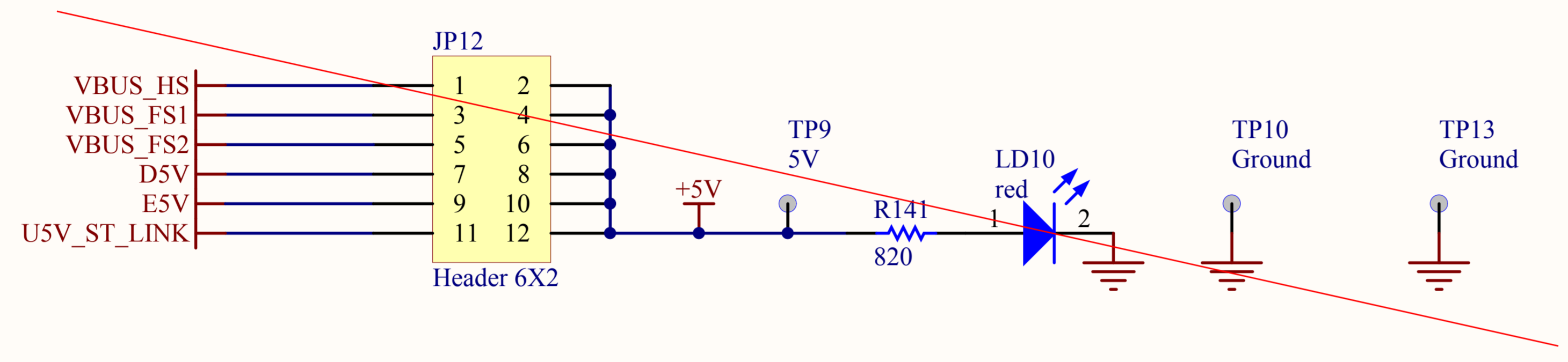
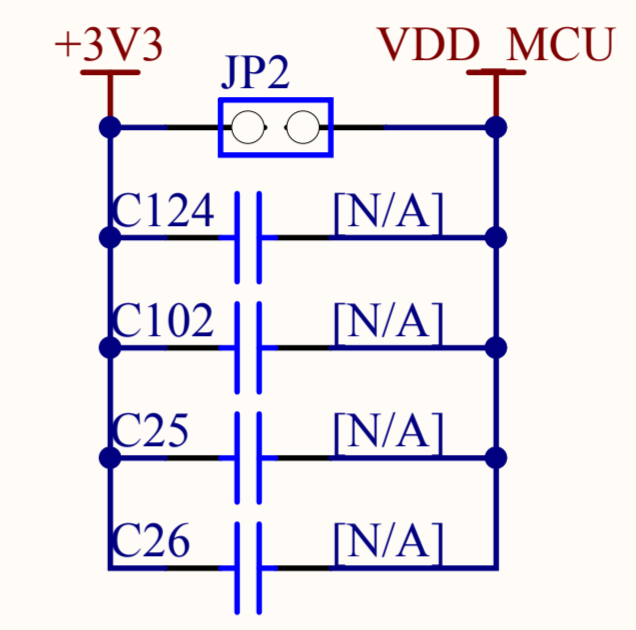
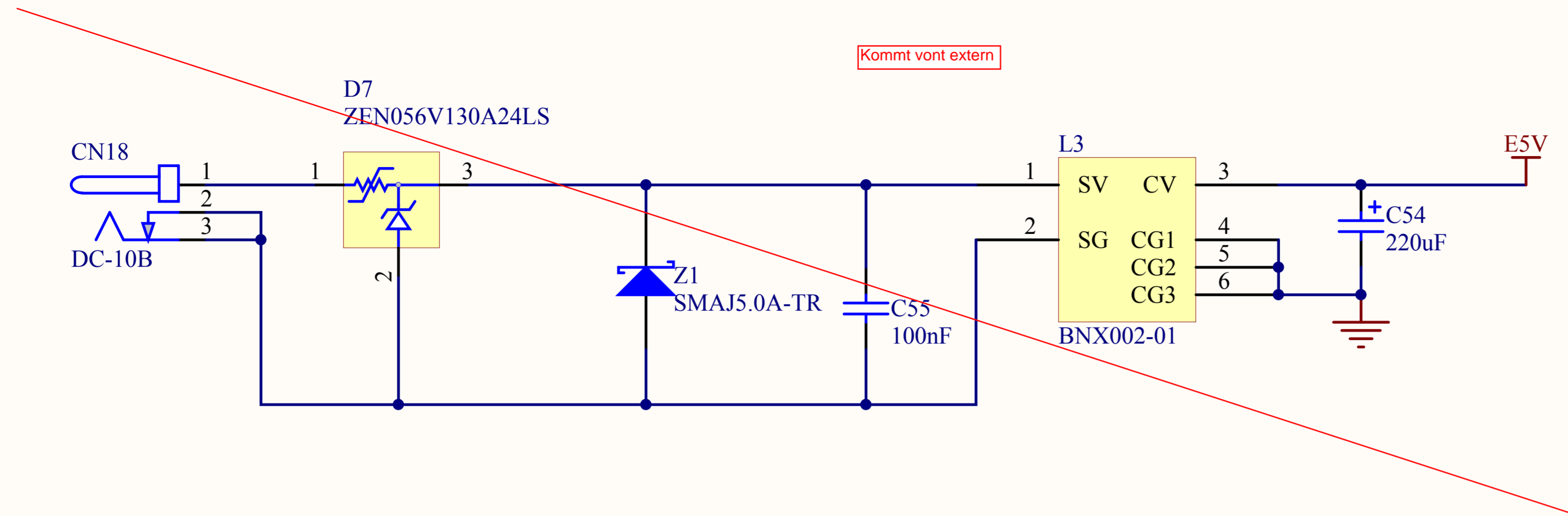


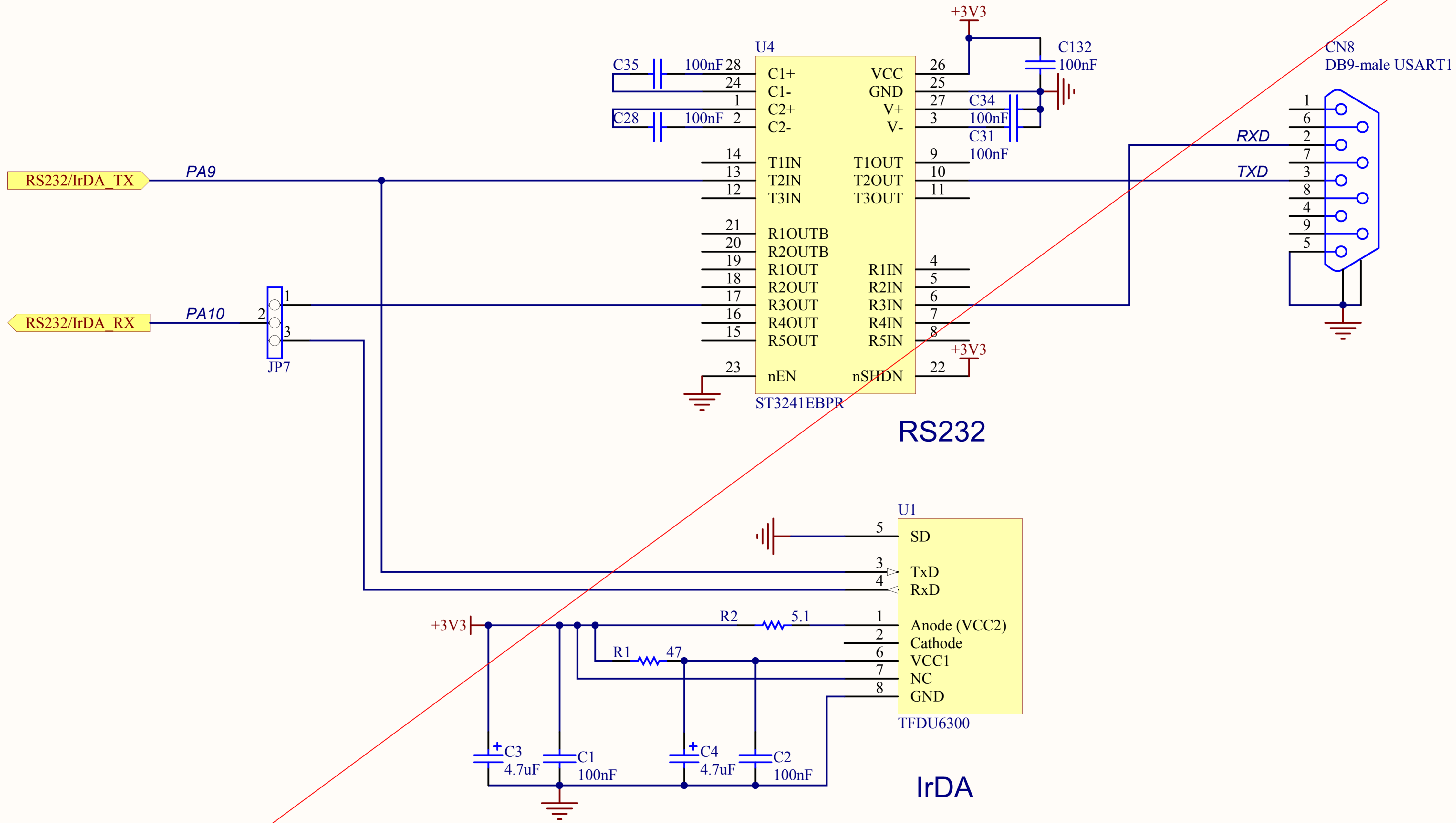
Potentiometer

**STMicroelectronics**

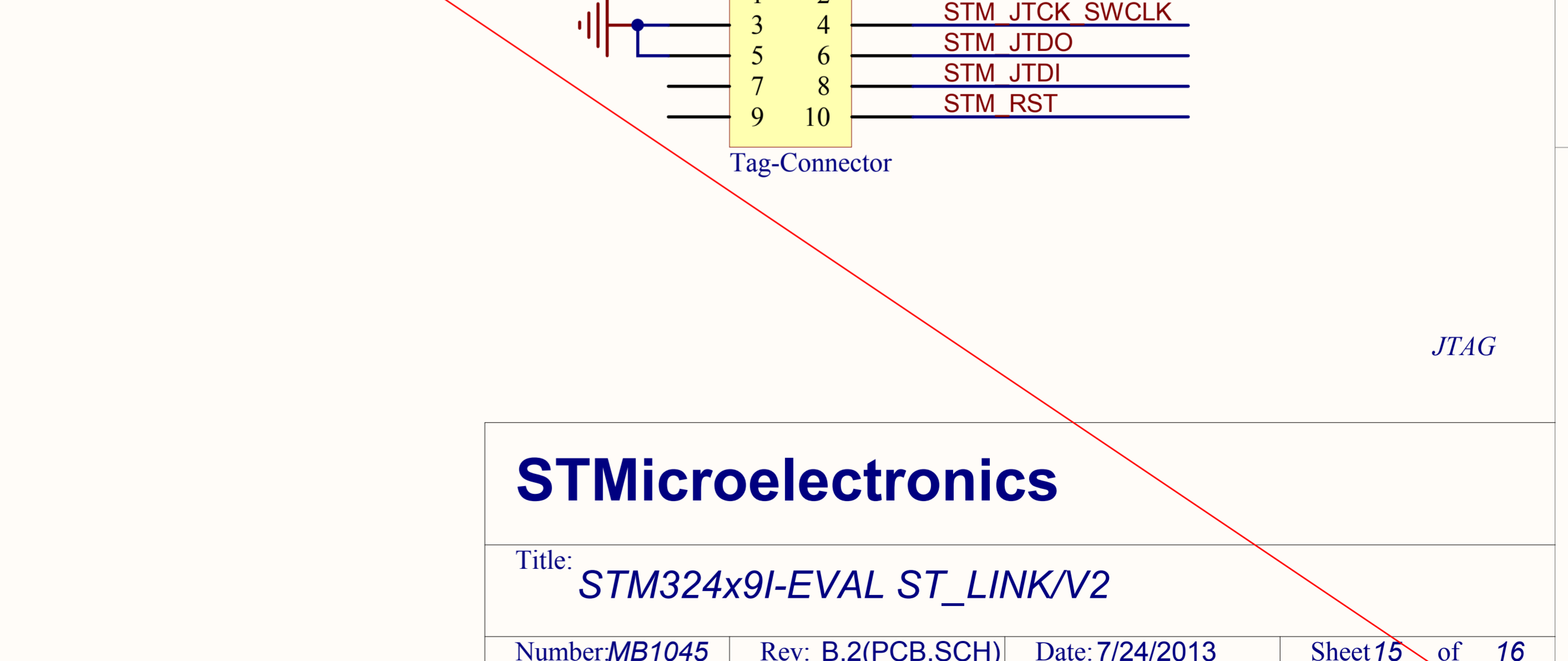
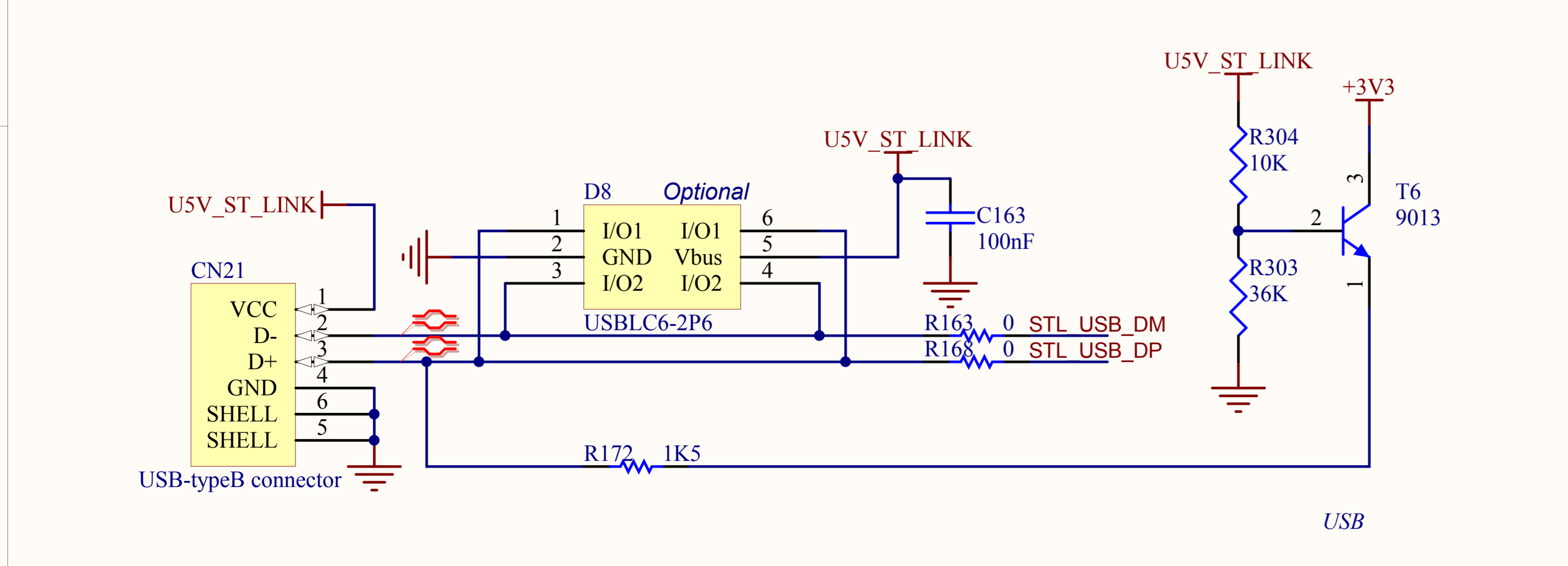
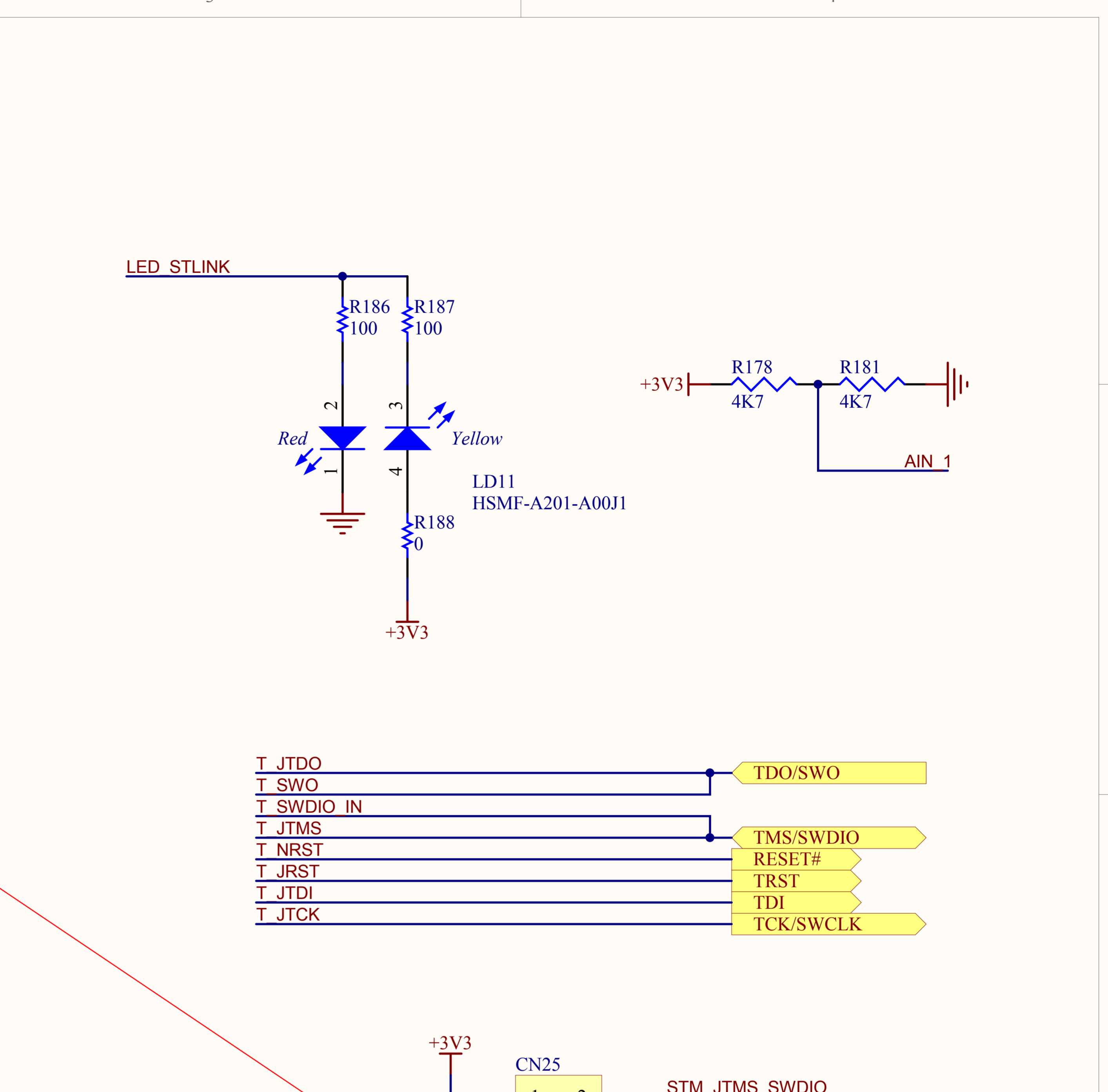
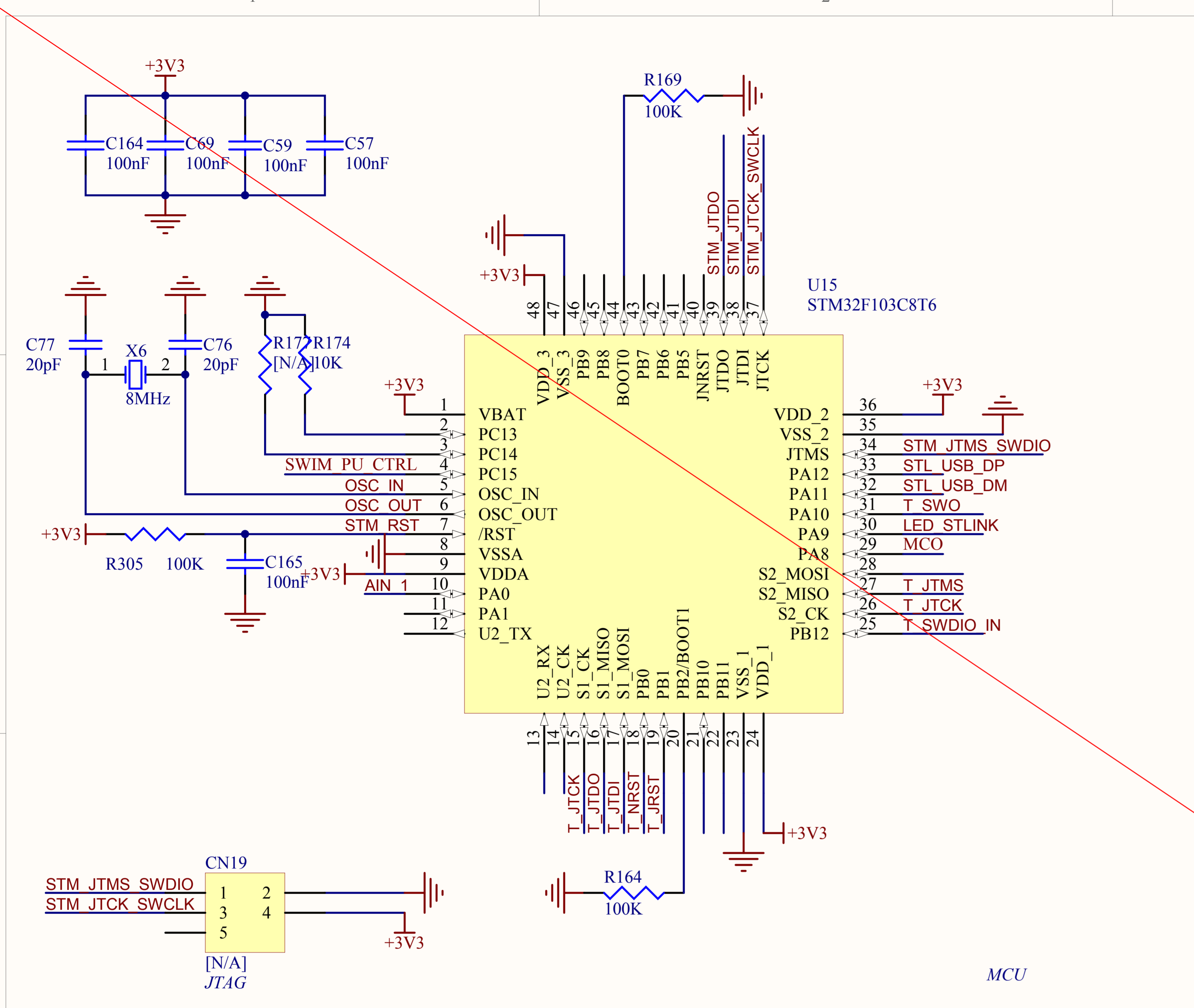
Title: *STM324x9I-EVAL Peripherals*

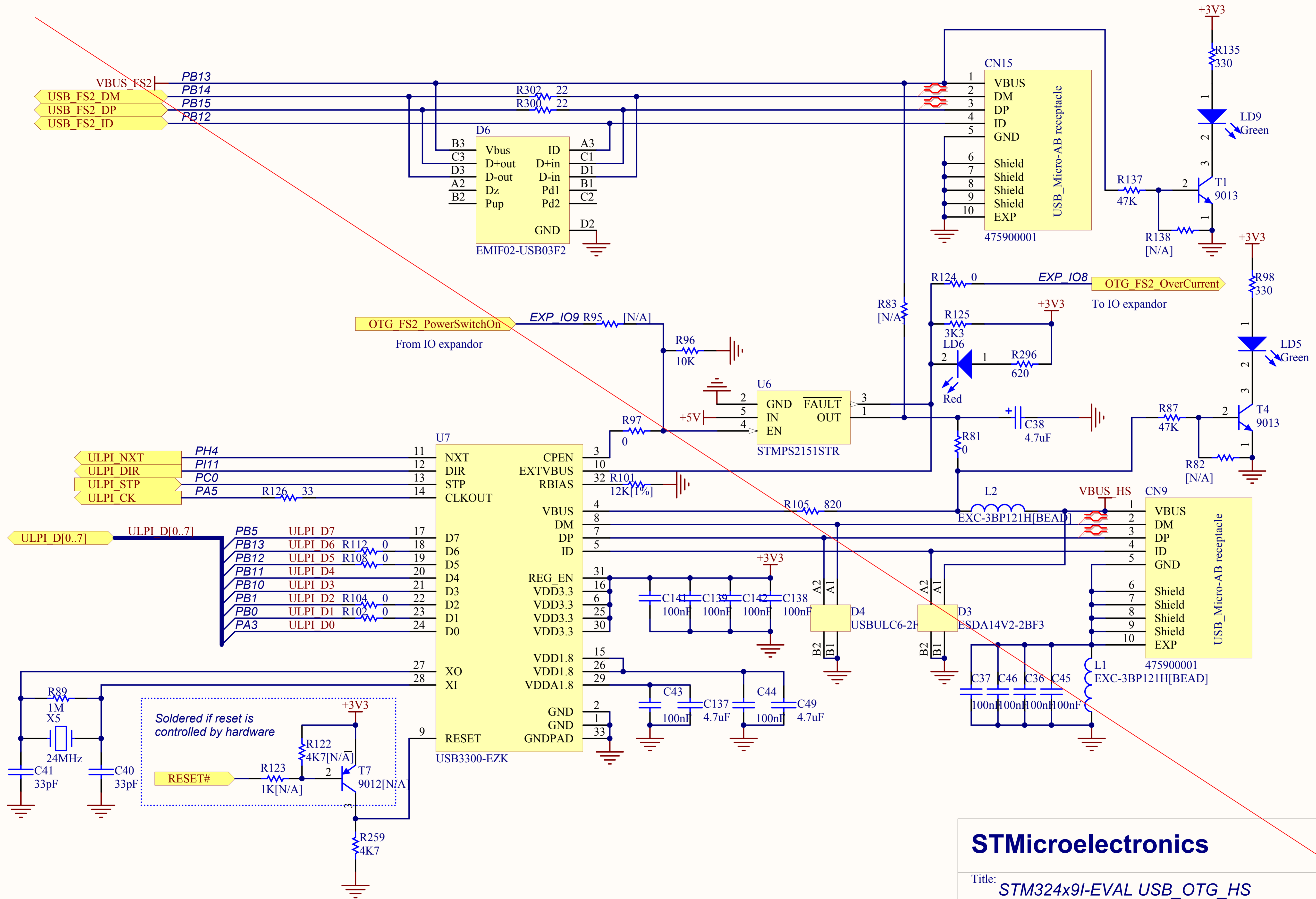
Number: MB1045 | Rev: B.2(PCB.SCH) | Date: 7/24/2013 | Sheet 12 of 16





<b>STMicroelectronics</b>			
Title: <i>STM324x9I-EVAL RS232&amp;IrDA</i>			
Number: <i>MB1045</i>	Rev: <i>B.2(PCB.SCH)</i>	Date: <i>7/24/2013</i>	Sheet <i>10</i> of <i>16</i>





**STMicroelectronics**

Title: *STM324x9I-EVAL USB\_OTG\_HS*

