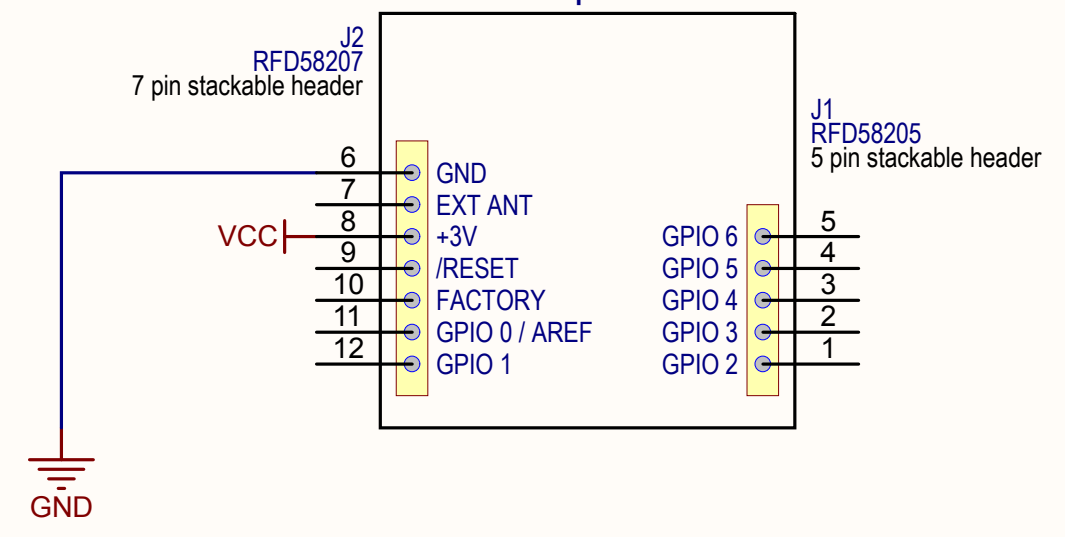
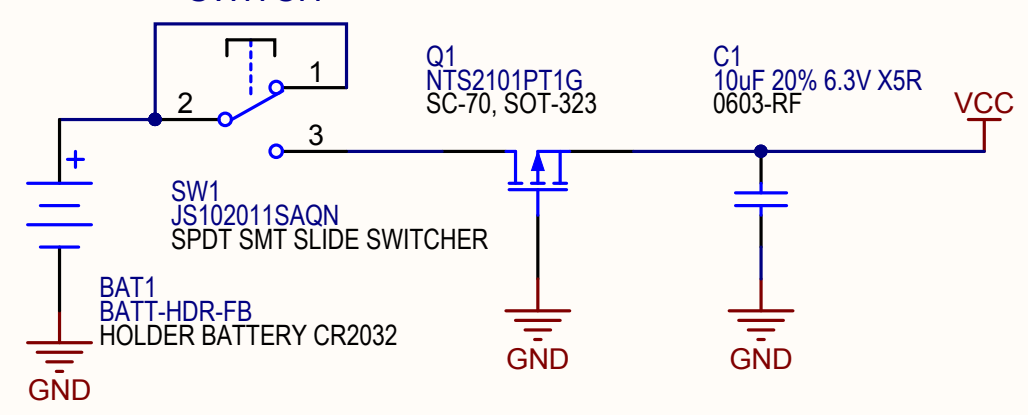


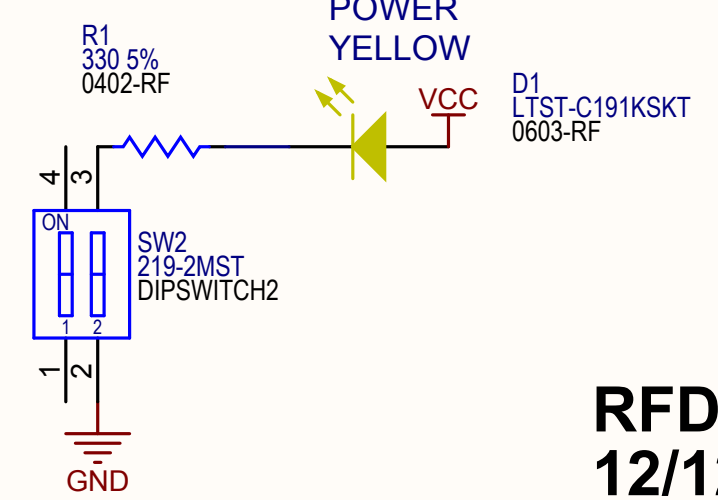
RFduino shield footprint



POWER SWITCH



POWER YELLOW



Power LED

MODE	SW2 Pos. 2
Power LED Disable	OFF
Power LED Enable	ON

RFD22128 - RFduino CR2032 Battery Shield
12/12/2013 5:05:54 PM
 (C) Copyright 2013, www.RFduino.com

Title		R408 B001	
Size	Number	Revision	
A4		A	
Date:	12/12/2013	Sheet 1 of 1	