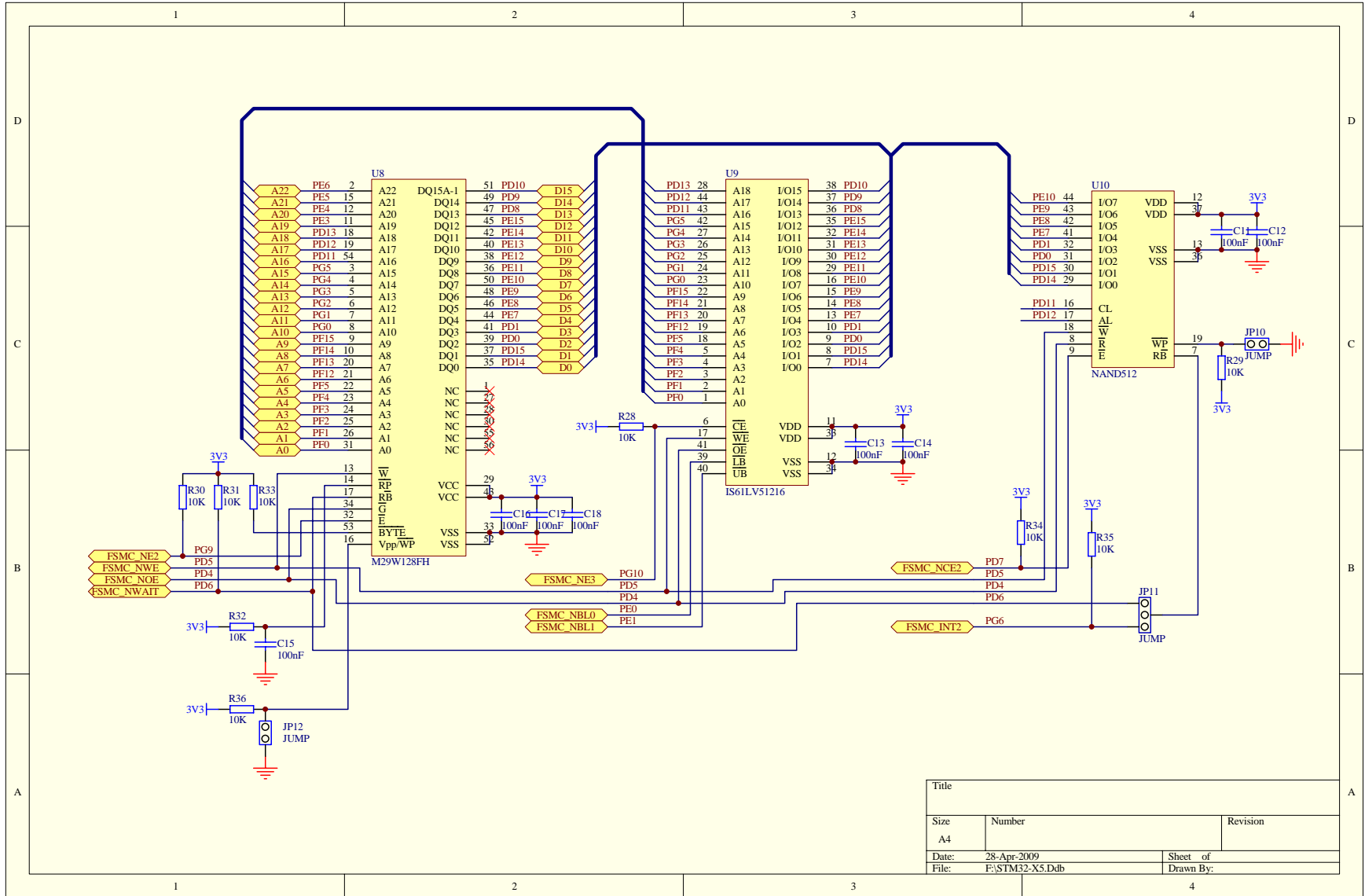


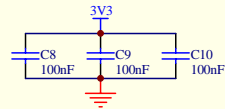
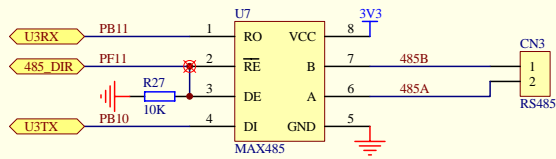
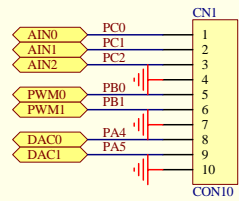
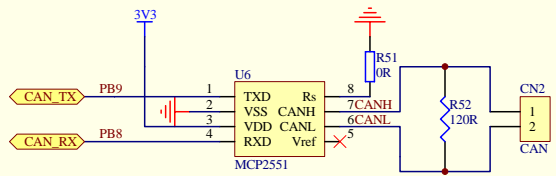
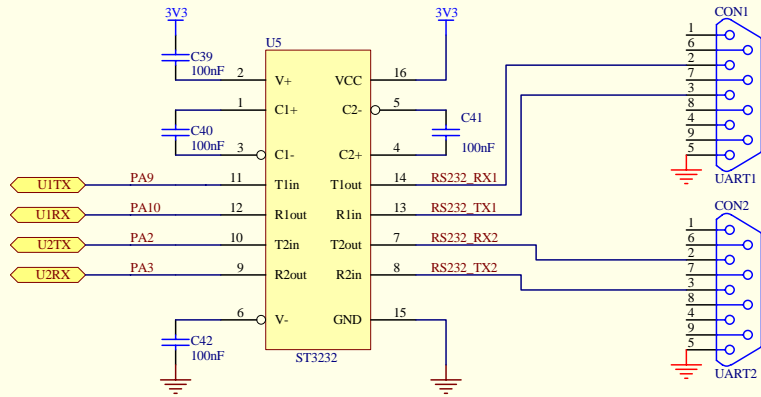
数字部分供电滤波

模拟部分供电

Size	Number	Revision
B		
Date:	28-Apr-2009	Sheet of
File:	F:\STM32-X5.Ddb	Drawn By:



Title		
Size	Number	Revision
A4		
Date:	28-Apr-2009	Sheet of
File:	F:\STM32-X5.Ddb	Drawn By:



Title		
Size A4	Number	Revision
Date: 28-Apr-2009	Sheet of	
File: F:\STM32-X5.Ddb	Drawn By:	