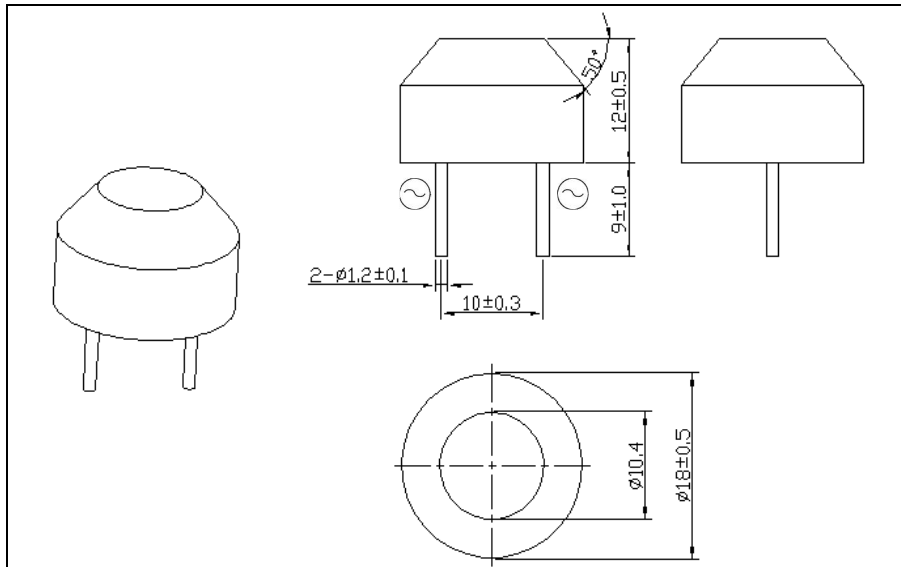


Technical datasheet: KPUS-40FS-18T-447

Specifications:

Operating Temperature Range	-30°C to +85°C
Storage Temperature Range	-30°C to +95°C
Frequency	40kHz
Capacitance at 1kHz	2200pF ±20%pF
Directivity	100° (typ)
Detectable Range	0.2m to 3m
Insulation Resistance	100 MΩ min (at 50V DC)
SPL	≥106 dB at 40kHz/30cm/10Vrms(0dB=0.2nbar)
Structure	Water proof
Using Method	Receiver
Housing Material	Aluminum

Dimensions:



Directivity in S.P.L.:

