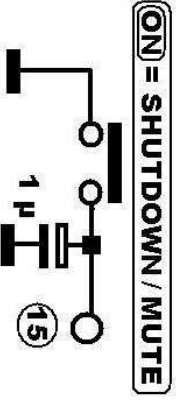


FUNCTION	Pin	Logic	Description
SHUTDOWN	15	1	Places the amplifier in shutdown mode if a TTL logic 'on' is placed on this terminal
FADE	16	1	Places the amplifier in fade mode if a logic 'low' is placed on this terminal; normal operation if a logic 'high' is placed on this terminal
BYPASS	17	1	Top to volume divider for internal multiplex bias generator used for analog reference
AGND	18	-	Analog power supply ground
SEMAX	19	1	Sets the maximum volume for single ended operation; DC voltage range is 0 to V_{DD}
SEDIFF	20	1	Sets the difference between BTL volume and SE volume; DC voltage range is 0 to V_{DD}
VOLUME	21	1	Terminal for dc volume control; DC voltage range is 0 to V_{DD}
HP LINE	22	1	Input MUX control; When logic 'high', RHPIN and LHPIN inputs are selected; When logic 'low', RLINEN and LLINEN inputs are selected
SE BTL	23	1	Output MUX control; When this terminal is high, SE outputs are selected; When this terminal is low, BTL outputs are selected

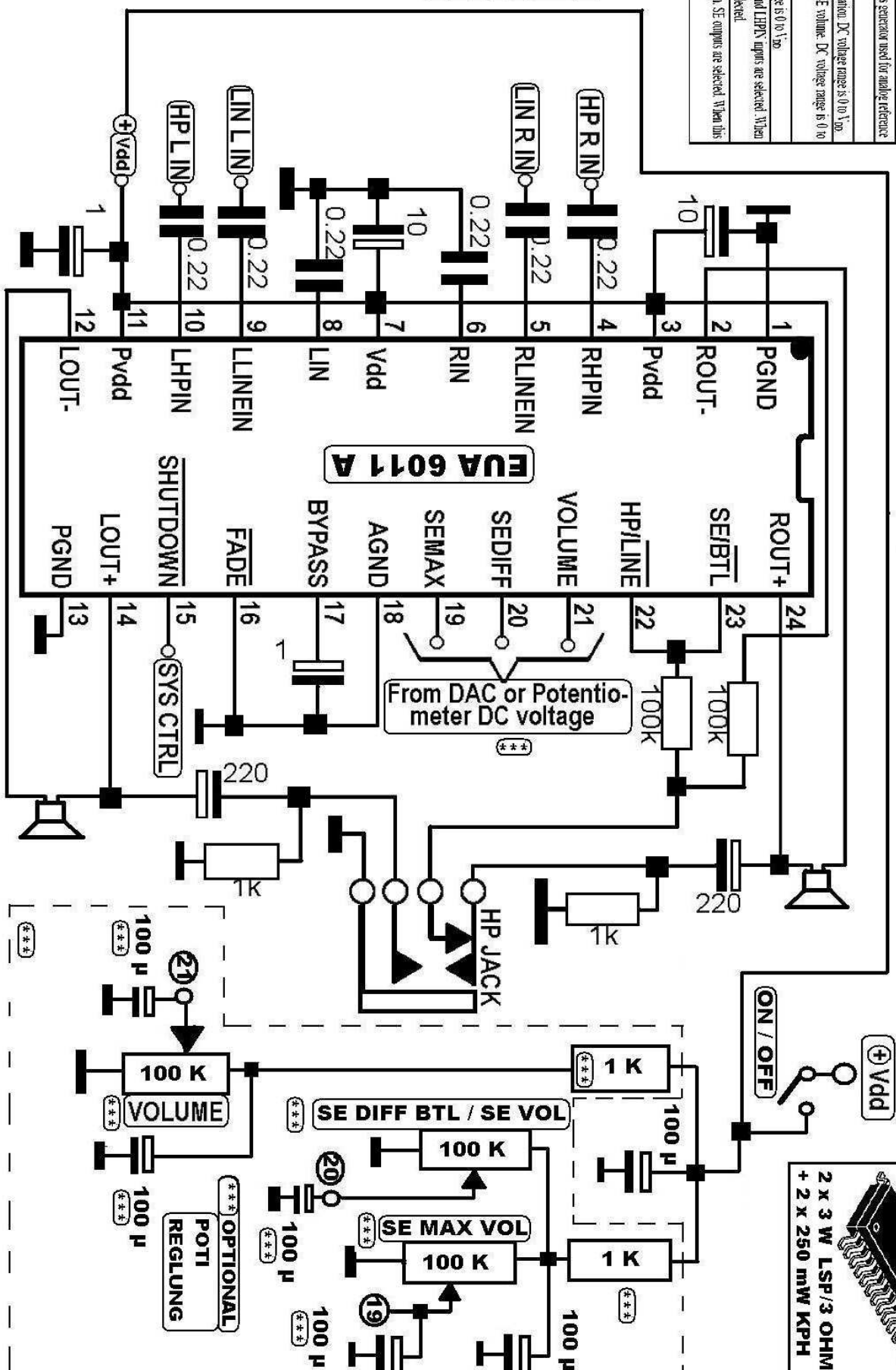
HP/LINE	SE/BTL	SHUTDOWN	INPUT	OUTPUT
X	X	Low	X	Mute
Low	Low	High	Line	BTL
Low	High	High	Line	SE
High	Low	High	HP	BTL
High	Low	High	HP	SE



- AUSTAUSCH-IC's**
- EUA6011AQIR0
 - EUA6011AQIR1
 - EUA6011AQIT0
 - EUA6011AQIT1
 - EUA6019QIR1
 - EUA6019QIT1
 - TPA6011A4PWP

SMD - IC: EUA 6011 A
STEREO - VST LAUTSPRECHER + KOPFHÖRER
MIT DC - VOLUME-CONTROL & SHUTDOWN

PEARL MULTI-TV-PORTABLE *6 in 1*: ANALOG TV - DVBT - TV - DVD - USB - SD MEDIASPIELAYER



(***)

(***)

(***)

(***)

(***)

(***)

(***)

(***)

(***)

(***)

(***)

(***)

(***)

(***)

(***)

(***)

(***)

(***)

(***)

(***)

(***)

(***)

(***)

(***)

(***)

(***)

(***)

(***)

(***)

(***)

(***)

(***)

(***)

(***)

(***)

(***)

(***)

(***)

(***)

(***)

(***)

(***)

(***)

(***)

(***)

(***)

(***)

(***)

(***)

(***)

(***)

(***)

(***)

(***)

(***)

(***)

(***)

(***)

(***)

(***)

(***)

(***)

(***)

(***)

(***)

(***)

(***)

(***)

(***)

(***)

(***)

(***)

(***)

(***)

(***)

(***)

(***)

(***)

(***)

(***)

(***)

(***)

(***)

(***)

(***)

(***)

(***)

(***)

(***)

(***)

(***)

(***)

(***)

(***)

(***)

(***)

(***)

(***)

(***)

(***)