

## MIXED SIGNAL MICROCONTROLLER

### FEATURES

- **Low Supply Voltage Range: 2.2 V to 3.6 V**
- **Ultralow Power Consumption**
  - **Active Mode (AM):**  
All System Clocks Active  
312  $\mu$ A/MHz at 8 MHz, 3.0 V, Flash Program Execution (Typical)  
140  $\mu$ A/MHz at 8 MHz, 3.0 V, RAM Program Execution (Typical)
  - **Standby Mode (LPM3):**  
Real-Time Clock With Crystal, Watchdog, and Supply Supervisor Operational, Full RAM Retention, Fast Wake-Up:  
2.6  $\mu$ A at 3.0 V (Typical)  
Low-Power Oscillator (VLO), General-Purpose Counter, Watchdog, and Supply Supervisor Operational, Full RAM Retention, Fast Wake-Up:  
1.8  $\mu$ A at 3.0 V (Typical)
  - **Off Mode (LPM4):**  
Full RAM Retention, Supply Supervisor Operational, Fast Wake-Up:  
1.69  $\mu$ A at 3.0 V (Typical)
- **Wake-Up From Standby Mode in Less Than 5  $\mu$ s**
- **16-Bit RISC Architecture**
  - Extended Memory
  - Up to 18-MHz System Clock
- **Flexible Power Management System**
  - Fully Integrated LDO With Programmable Regulated Core Supply Voltage
  - Supply Voltage Supervision, Monitoring, and Brownout
- **Unified Clock System**
  - FLL Control Loop for Frequency Stabilization
  - Low-Power/Low-Frequency Internal Clock Source (VLO)
  - Low-Frequency Trimmed Internal Reference Source (REFO)
  - 32-kHz Crystals
  - High-Frequency Crystals up to 32 MHz
- **16-Bit Timer TA0, Timer\_A With Five Capture/Compare Registers**
- **16-Bit Timer TA1, Timer\_A With Three Capture/Compare Registers**
- **16-Bit Timer TB0, Timer\_B With Seven Capture/Compare Shadow Registers**
- **Up to Four Universal Serial Communication Interfaces**
  - **USCI\_A0, USCI\_A1, USCI\_A2, and USCI\_A3** Each Supporting
    - Enhanced UART supporting Auto-Baudrate Detection
    - IrDA Encoder and Decoder
    - Synchronous SPI
  - **USCI\_B0, USCI\_B1, USCI\_B2, and USCI\_B3** Each Supporting
    - I<sup>2</sup>C™
    - Synchronous SPI
- **12-Bit Analog-to-Digital (A/D) Converter**
  - Internal Reference
  - Sample-and-Hold
  - Autoscan Feature
  - 14 External Channels, 2 Internal Channels
- **Hardware Multiplier Supporting 32-Bit Operations**
- **Serial Onboard Programming, No External Programming Voltage Needed**
- **Three Channel Internal DMA**
- **Basic Timer With Real-Time Clock Feature**
- **Family Members are Summarized in [Table 1](#)**
- **For Complete Module Descriptions, See the [MSP430x5xx Family User's Guide \(SLAU208\)](#)**



Please be aware that an important notice concerning availability, standard warranty, and use in critical applications of Texas Instruments semiconductor products and disclaimers thereto appears at the end of this data sheet.

## DESCRIPTION

The Texas Instruments MSP430 family of ultralow-power microcontrollers consists of several devices featuring different sets of peripherals targeted for various applications. The architecture, combined with five low-power modes, is optimized to achieve extended battery life in portable measurement applications. The device features a powerful 16-bit RISC CPU, 16-bit registers, and constant generators that contribute to maximum code efficiency. The digitally controlled oscillator (DCO) allows wake-up from low-power modes to active mode in less than 5  $\mu$ s.

The MSP430F543x and MSP430F541x series are microcontroller configurations with three 16-bit timers, a high performance 12-bit analog-to-digital (A/D) converter, up to four universal serial communication interfaces (USCI), hardware multiplier, DMA, real-time clock module with alarm capabilities, and up to 87 I/O pins.

Typical applications for this device include analog and digital sensor systems, digital motor control, remote controls, thermostats, digital timers, hand-held meters, etc.

Family members available are summarized in [Table 1](#).

**Table 1. Family Members**

| Device      | Flash (KB) | SRAM (KB) | Timer_A <sup>(1)</sup> | Timer_B <sup>(2)</sup> | USCI                     |                                 | ADC12_A (Ch)   | I/O | Package Type |
|-------------|------------|-----------|------------------------|------------------------|--------------------------|---------------------------------|----------------|-----|--------------|
|             |            |           |                        |                        | Channel A: UART/IrDA/SPI | Channel B: SPI/I <sup>2</sup> C |                |     |              |
| MSP430F5438 | 256        | 16        | 5, 3                   | 7                      | 4                        | 4                               | 14 ext / 2 int | 87  | 100 PZ       |
| MSP430F5437 | 256        | 16        | 5, 3                   | 7                      | 2                        | 2                               | 14 ext / 2 int | 67  | 80 PN        |
| MSP430F5436 | 192        | 16        | 5, 3                   | 7                      | 4                        | 4                               | 14 ext / 2 int | 87  | 100 PZ       |
| MSP430F5435 | 192        | 16        | 5, 3                   | 7                      | 2                        | 2                               | 14 ext / 2 int | 67  | 80 PN        |
| MSP430F5419 | 128        | 16        | 5, 3                   | 7                      | 4                        | 4                               | 14 ext / 2 int | 87  | 100 PZ       |
| MSP430F5418 | 128        | 16        | 5, 3                   | 7                      | 2                        | 2                               | 14 ext / 2 int | 67  | 80 PN        |

- (1) Each number in the sequence represents an instantiation of Timer\_A with its associated number of capture compare registers and PWM output generators available. For example, a number sequence of 3, 5 would represent two instantiations of Timer\_A, the first instantiation having 3 and the second instantiation having 5 capture compare registers and PWM output generators, respectively.
- (2) Each number in the sequence represents an instantiation of Timer\_B with its associated number of capture compare registers and PWM output generators available. For example, a number sequence of 3, 5 would represent two instantiations of Timer\_B, the first instantiation having 3 and the second instantiation having 5 capture compare registers and PWM output generators, respectively.

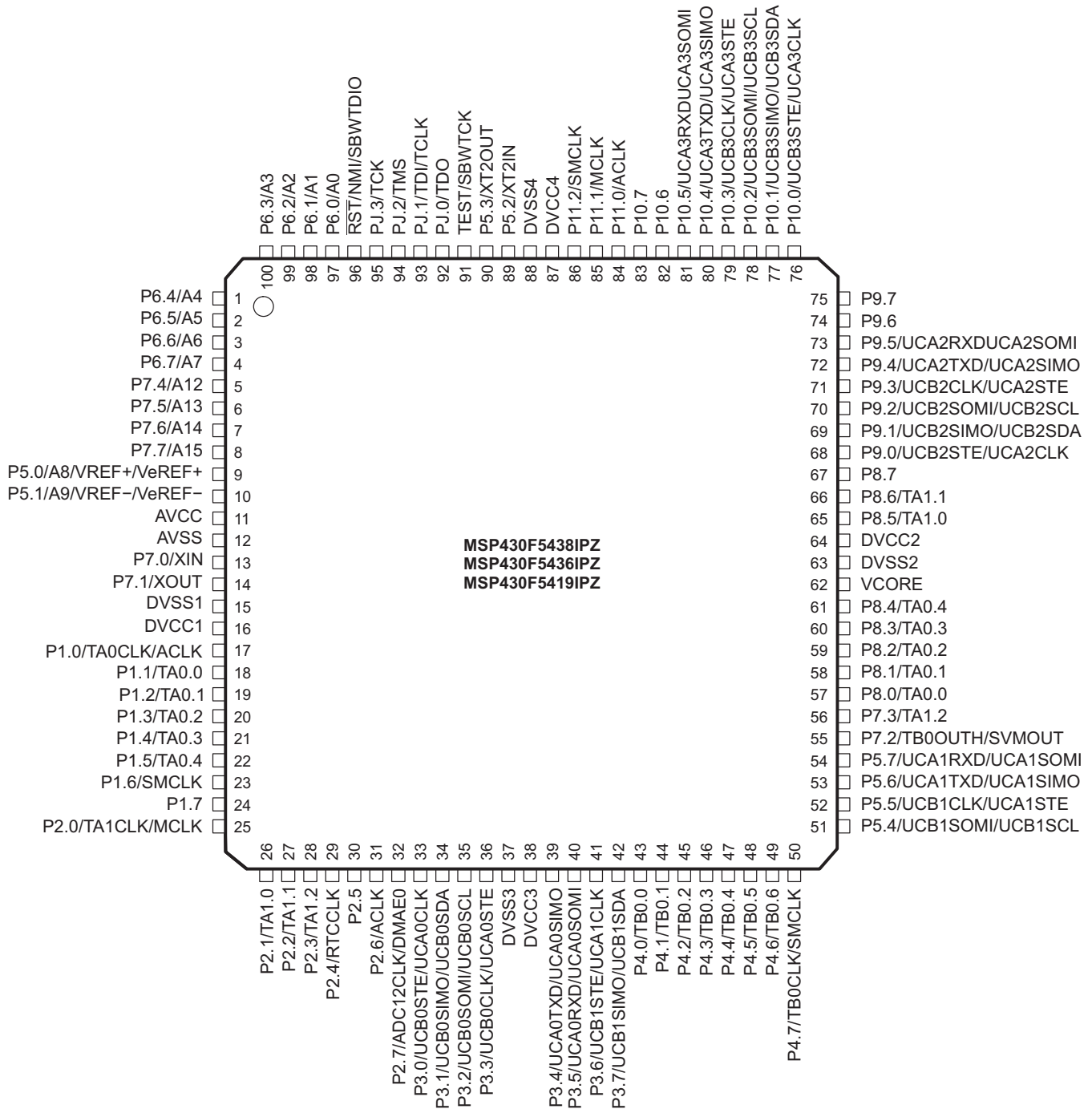
### Ordering Information<sup>(1)</sup>

| T <sub>A</sub> | PACKAGED DEVICES <sup>(2)</sup>                    |  |
|----------------|--|--|
|                | PLASTIC 100-PIN TQFP (PZ)                          | PLASTIC 80-PIN TQFP (PN)                           |
| –40°C to 85°C  | MSP430F5438IPZ<br>MSP430F5436IPZ<br>MSP430F5419IPZ | MSP430F5437IPN<br>MSP430F5435IPN<br>MSP430F5418IPN |

- (1) For the most current package and ordering information, see the Package Option Addendum at the end of this document, or see the TI web site at [www.ti.com](http://www.ti.com).
- (2) Package drawings, thermal data, and symbolization are available at [www.ti.com/packaging](http://www.ti.com/packaging).

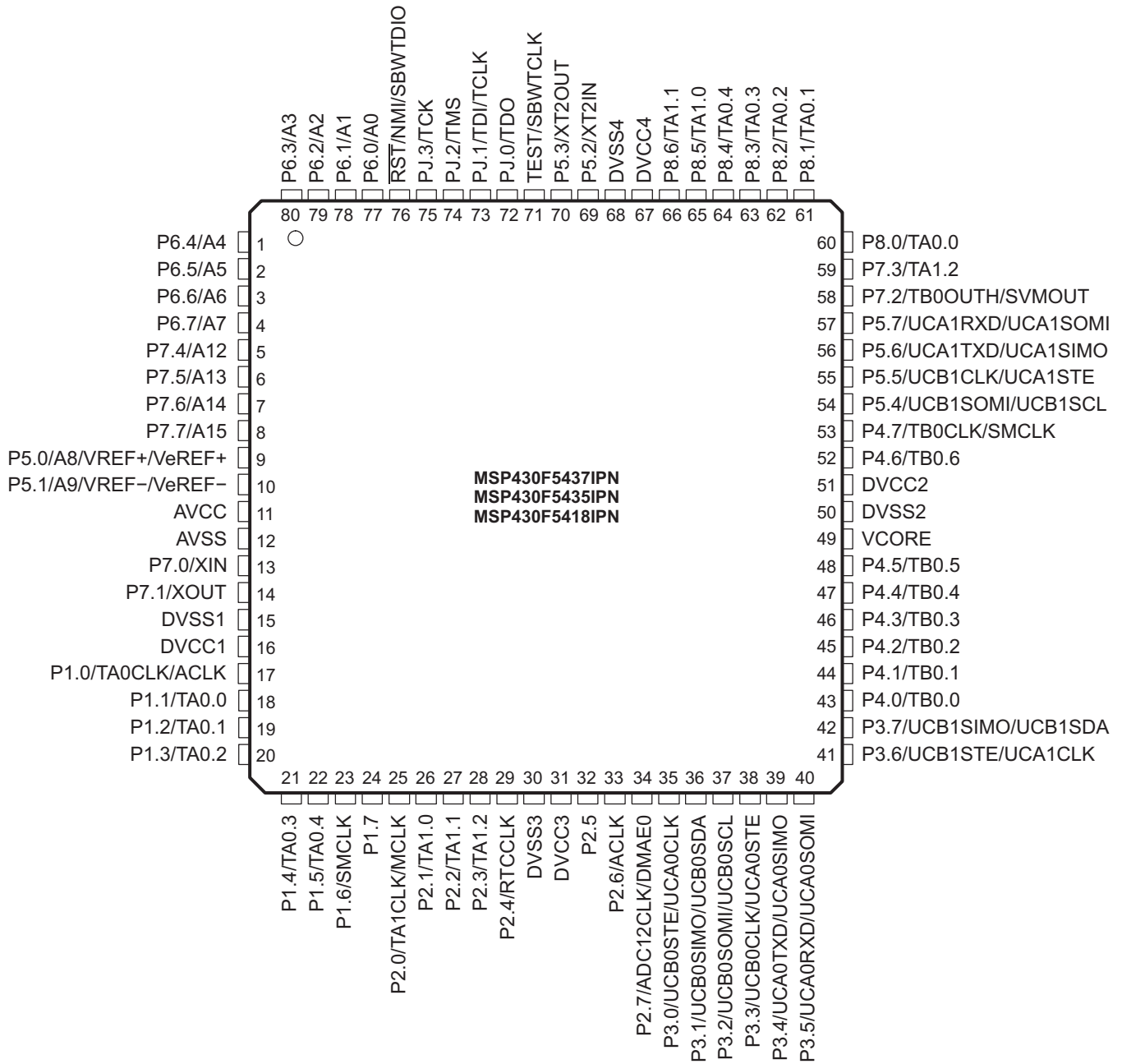
Pin Designation, MSP430F5438IPZ, MSP430F5436IPZ, MSP430F5419IPZ

PZ PACKAGE  
(TOP VIEW)

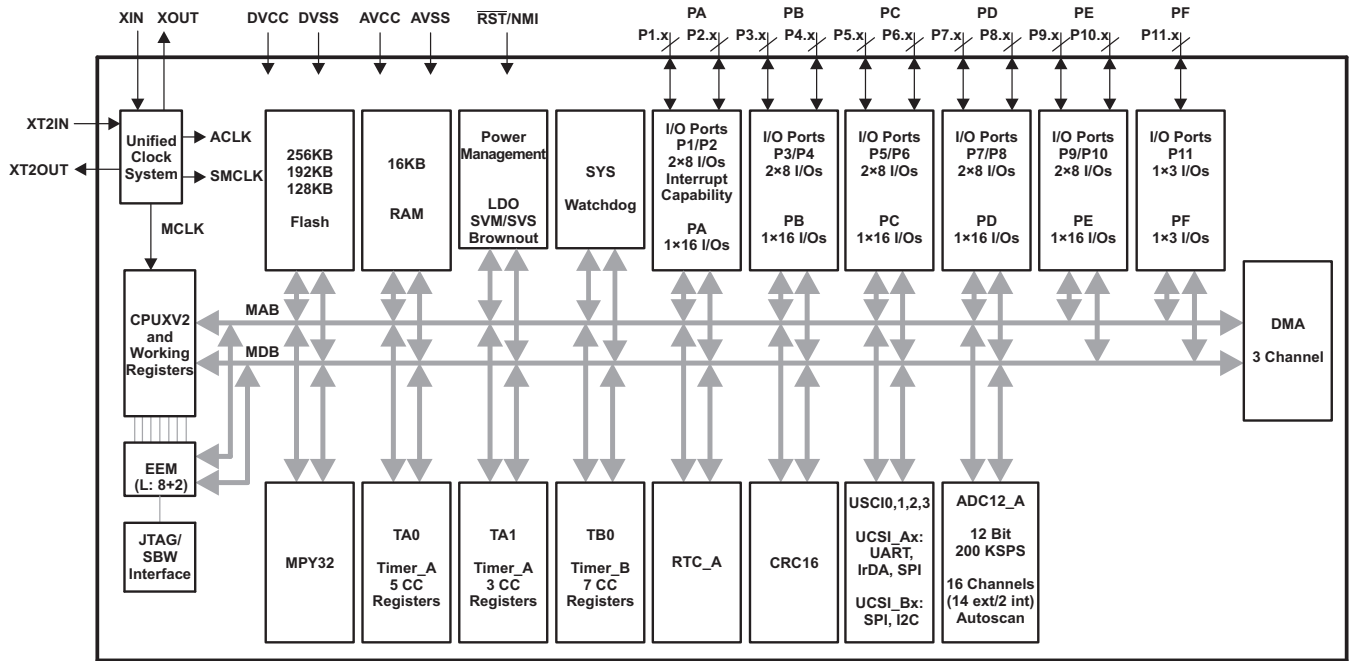


**Pin Designation, MSP430F5437IPN, MSP430F5435IPN, MSP430F5418IPN**

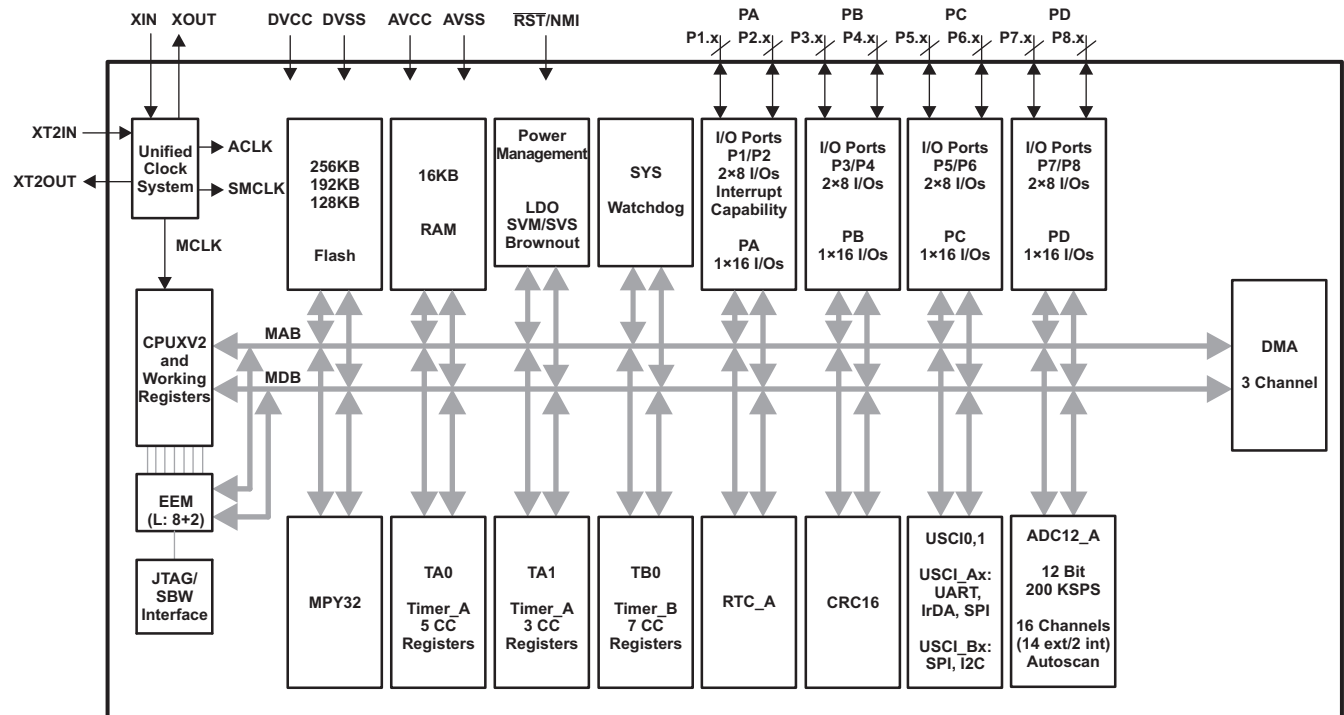
**PN PACKAGE  
(TOP VIEW)**



**Functional Block Diagram, MSP430F5438IPZ, MSP430F5436IPZ, MSP430F5419IPZ,**



**Functional Block Diagram, MSP430F5437IPN, MSP430F5435IPN, MSP430F5418IPN**



**TERMINAL FUNCTIONS**

| TERMINAL             |     |    | I/O <sup>(1)</sup> | DESCRIPTION  |
|----------------------|-----|----|--------------------|--|
| NAME                 | NO. |    |                    |  |
|                      | PZ  | PN |                    |  |
| P6.4/A4              | 1   | 1  | I/O                | General-purpose digital I/O<br>Analog input A4 – ADC   |
| P6.5/A5              | 2   | 2  | I/O                | General-purpose digital I/O<br>Analog input A5 – ADC   |
| P6.6/A6              | 3   | 3  | I/O                | General-purpose digital I/O<br>Analog input A6 – ADC   |
| P6.7/A7              | 4   | 4  | I/O                | General-purpose digital I/O<br>Analog input A7 – ADC   |
| P7.4/A12             | 5   | 5  | I/O                | General-purpose digital I/O<br>Analog input A12 – ADC  |
| P7.5/A13             | 6   | 6  | I/O                | General-purpose digital I/O<br>Analog input A13 – ADC  |
| P7.6/A14             | 7   | 7  | I/O                | General-purpose digital I/O<br>Analog input A14 – ADC  |
| P7.7/A15             | 8   | 8  | I/O                | General-purpose digital I/O<br>Analog input A15 – ADC  |
| P5.0/A8/VREF+/VeREF+ | 9   | 9  | I/O                | General-purpose digital I/O<br>Analog input A8 – ADC<br>Output of reference voltage to the ADC<br>Input for an external reference voltage to the ADC   |
| P5.1/A9/VREF-/VeREF- | 10  | 10 | I/O                | General-purpose digital I/O<br>Analog input A9 – ADC<br>Negative terminal for the ADC's reference voltage for both sources, the internal reference voltage, or an external applied reference voltage |
| AVCC                 | 11  | 11 |                    | Analog power supply  |
| AVSS                 | 12  | 12 |                    | Analog ground supply   |
| P7.0/XIN             | 13  | 13 | I/O                | General-purpose digital I/O<br>Input terminal for crystal oscillator XT1   |
| P7.1/XOUT            | 14  | 14 | I/O                | General-purpose digital I/O<br>Output terminal of crystal oscillator XT1   |
| DVSS1                | 15  | 15 |                    | Digital ground supply  |
| DVCC1                | 16  | 16 |                    | Digital power supply   |
| P1.0/TA0CLK/ACLK     | 17  | 17 | I/O                | General-purpose digital I/O with port interrupt<br>TA0 clock signal TACLK input<br>ACLK output (divided by 1, 2, 4, or 8)  |
| P1.1/TA0.0           | 18  | 18 | I/O                | General-purpose digital I/O with port interrupt<br>TA0 CCR0 capture: CCI0A input, compare: Out0 output<br>BSL transmit output  |
| P1.2/TA0.1           | 19  | 19 | I/O                | General-purpose digital I/O with port interrupt<br>TA0 CCR1 capture: CCI1A input, compare: Out1 output<br>BSL receive input  |
| P1.3/TA0.2           | 20  | 20 | I/O                | General-purpose digital I/O with port interrupt<br>TA0 CCR2 capture: CCI2A input, compare: Out2 output   |
| P1.4/TA0.3           | 21  | 21 | I/O                | General-purpose digital I/O with port interrupt<br>TA0 CCR3 capture: CCI3A input compare: Out3 output  |
| P1.5/TA0.4           | 22  | 22 | I/O                | General-purpose digital I/O with port interrupt<br>TA0 CCR4 capture: CCI4A input, compare: Out4 output   |
| P1.6/SMCLK           | 23  | 23 | I/O                | General-purpose digital I/O with port interrupt<br>SMCLK output  |
| P1.7                 | 24  | 24 | I/O                | General-purpose digital I/O with port interrupt  |
| P2.0/TA1CLK/MCLK     | 25  | 25 | I/O                | General-purpose digital I/O with port interrupt<br>TA1 clock signal TA1CLK input<br>MCLK output  |

(1) I = input, O = output, N/A = not available on this package offering

**TERMINAL FUNCTIONS (continued)**

| TERMINAL              |    | NO. |     | I/O <sup>(1)</sup>  | DESCRIPTION |
|-----------------------|----|-----|-----|---|-------------|
| NAME                  | PZ | PN  |     |   |             |
| P2.1/TA1.0            | 26 | 26  | I/O | General-purpose digital I/O with port interrupt<br>TA1 CCR0 capture: CCI0A input, compare: Out0 output  |             |
| P2.2/TA1.1            | 27 | 27  | I/O | General-purpose digital I/O with port interrupt<br>TA1 CCR1 capture: CCI1A input, compare: Out1 output  |             |
| P2.3/TA1.2            | 28 | 28  | I/O | General-purpose digital I/O with port interrupt<br>TA1 CCR2 capture: CCI2A input, compare: Out2 output  |             |
| P2.4/RTCCLK           | 29 | 29  | I/O | General-purpose digital I/O with port interrupt<br>RTCCLK output  |             |
| P2.5                  | 30 | 32  | I/O | General-purpose digital I/O with port interrupt   |             |
| P2.6/ACLK             | 31 | 33  | I/O | General-purpose digital I/O with port interrupt<br>ACLK output (divided by 1, 2, 4, 8, 16, or 32)   |             |
| P2.7/ADC12CLK/DMAE0   | 32 | 34  | I/O | General-purpose digital I/O with port interrupt<br>Conversion clock output ADC<br>DMA external trigger input  |             |
| P3.0/UCB0STE/UCA0CLK  | 33 | 35  | I/O | General-purpose digital I/O<br>Slave transmit enable – USCI_B0 SPI mode<br>Clock signal input – USCI_A0 SPI slave mode<br>Clock signal output – USCI_A0 SPI master mode |             |
| P3.1/UCB0SIMO/UCB0SDA | 34 | 36  | I/O | General-purpose digital I/O<br>Slave in, master out – USCI_B0 SPI mode<br>I2C data – USCI_B0 I2C mode   |             |
| P3.2/UCB0SOMI/UCB0SCL | 35 | 37  | I/O | General-purpose digital I/O<br>Slave out, master in – USCI_B0 SPI mode<br>I2C clock – USCI_B0 I2C mode  |             |
| P3.3/UCB0CLK/UCA0STE  | 36 | 38  | I/O | General-purpose digital I/O<br>Clock signal input – USCI_B0 SPI slave mode<br>Clock signal output – USCI_B0 SPI master mode<br>Slave transmit enable – USCI_A0 SPI mode |             |
| DVSS3                 | 37 | 30  |     | Digital ground supply   |             |
| DVCC3                 | 38 | 31  |     | Digital power supply  |             |
| P3.4/UCA0TXD/UCA0SIMO | 39 | 39  | I/O | General-purpose digital I/O<br>Transmit data – USCI_A0 UART mode<br>Slave in, master out – USCI_A0 SPI mode   |             |
| P3.5/UCA0RXD/UCA0SOMI | 40 | 40  | I/O | General-purpose digital I/O<br>Receive data – USCI_A0 UART mode<br>Slave out, master in – USCI_A0 SPI mode  |             |
| P3.6/UCB1STE/UCA1CLK  | 41 | 41  | I/O | General-purpose digital I/O<br>Slave transmit enable – USCI_B1 SPI mode<br>Clock signal input – USCI_A1 SPI slave mode<br>Clock signal output – USCI_A1 SPI master mode |             |
| P3.7/UCB1SIMO/UCB1SDA | 42 | 42  | I/O | General-purpose digital I/O<br>Slave in, master out – USCI_B1 SPI mode<br>I2C data – USCI_B1 I2C mode   |             |
| P4.0/TB0.0            | 43 | 43  | I/O | General-purpose digital I/O<br>TB0 capture CCR0: CCI0A/CCI0B input, compare: Out0 output  |             |
| P4.1/TB0.1            | 44 | 44  | I/O | General-purpose digital I/O<br>TB0 capture CCR1: CCI1A/CCI1B input, compare: Out1 output  |             |
| P4.2/TB0.2            | 45 | 45  | I/O | General-purpose digital I/O<br>TB0 capture CCR2: CCI2A/CCI2B input, compare: Out2 output  |             |
| P4.3/TB0.3            | 46 | 46  | I/O | General-purpose digital I/O<br>TB0 capture CCR3: CCI3A/CCI3B input, compare: Out3 output  |             |
| P4.4/TB0.4            | 47 | 47  | I/O | General-purpose digital I/O<br>TB0 capture CCR4: CCI4A/CCI4B input, compare: Out4 output  |             |
| P4.5/TB0.5            | 48 | 48  | I/O | General-purpose digital I/O<br>TB0 capture CCR5: CCI5A/CCI5B input, compare: Out5 output  |             |



**TERMINAL FUNCTIONS (continued)**

| TERMINAL              |     |     | I/O <sup>(1)</sup> | DESCRIPTION   |
|-----------------------|-----|-----|--------------------|---|
| NAME                  | NO. |     |                    |   |
|                       | PZ  | PN  |                    |   |
| P4.6/TB0.6            | 49  | 52  | I/O                | General-purpose digital I/O<br>TB0 capture CCR6: CCI6A/CCI6B input, compare: Out6 output  |
| P4.7/TB0CLK/SMCLK     | 50  | 53  | I/O                | General-purpose digital I/O<br>TB0 clock input<br>SMCLK output  |
| P5.4/UCB1SOMI/UCB1SCL | 51  | 54  | I/O                | General-purpose digital I/O<br>Slave out, master in – USCI_B1 SPI mode<br>I2C clock – USCI_B1 I2C mode  |
| P5.5/UCB1CLK/UCA1STE  | 52  | 55  | I/O                | General-purpose digital I/O<br>Clock signal input – USCI_B1 SPI slave mode<br>Clock signal output – USCI_B1 SPI master mode<br>Slave transmit enable – USCI_A1 SPI mode |
| P5.6/UCA1TXD/UCA1SIMO | 53  | 56  | I/O                | General-purpose digital I/O<br>Transmit data – USCI_A1 UART mode<br>Slave in, master out – USCI_A1 SPI mode   |
| P5.7/UCA1RXD/UCA1SOMI | 54  | 57  | I/O                | General-purpose digital I/O<br>Receive data – USCI_A1 UART mode<br>Slave out, master in – USCI_A1 SPI mode  |
| P7.2/TB0OUTH/SVMOUT   | 55  | 58  | I/O                | General-purpose digital I/O<br>Switch all PWM outputs high impedance – Timer TB0<br>SVM output  |
| P7.3/TA1.2            | 56  | 59  | I/O                | General-purpose digital I/O<br>TA1 CCR2 capture: CCI2B input, compare: Out2 output  |
| P8.0/TA0.0            | 57  | 60  | I/O                | General-purpose digital I/O<br>TA0 CCR0 capture: CCI0B input, compare: Out0 output  |
| P8.1/TA0.1            | 58  | 61  | I/O                | General-purpose digital I/O<br>TA0 CCR1 capture: CCI1B input, compare: Out1 output  |
| P8.2/TA0.2            | 59  | 62  | I/O                | General-purpose digital I/O<br>TA0 CCR2 capture: CCI2B input, compare: Out2 output  |
| P8.3/TA0.3            | 60  | 63  | I/O                | General-purpose digital I/O<br>TA0 CCR3 capture: CCI3B input, compare: Out3 output  |
| P8.4/TA0.4            | 61  | 64  | I/O                | General-purpose digital I/O<br>TA0 CCR4 capture: CCI4B input, compare: Out4 output  |
| VCORE <sup>(2)</sup>  | 62  | 49  |                    | Regulated core power supply output (internal use only, no external current loading)   |
| DVSS2                 | 63  | 50  |                    | Digital ground supply   |
| DVCC2                 | 64  | 51  |                    | Digital power supply  |
| P8.5/TA1.0            | 65  | 65  | I/O                | General-purpose digital I/O<br>TA1 CCR0 capture: CCI0B input, compare: Out0 output  |
| P8.6/TA1.1            | 66  | 66  | I/O                | General-purpose digital I/O<br>TA1 CCR1 capture: CCI1B input, compare: Out1 output  |
| P8.7                  | 67  | N/A | I/O                | General-purpose digital I/O   |
| P9.0/UCB2STE/UCA2CLK  | 68  | N/A | I/O                | General-purpose digital I/O<br>Slave transmit enable – USCI_B2 SPI mode<br>Clock signal input – USCI_A2 SPI slave mode<br>Clock signal output – USCI_A2 SPI master mode |
| P9.1/UCB2SIMO/UCB2SDA | 69  | N/A | I/O                | General-purpose digital I/O<br>Slave in, master out – USCI_B2 SPI mode<br>I2C data – USCI_B2 I2C mode   |
| P9.2/UCB2SOMI/UCB2SCL | 70  | N/A | I/O                | General-purpose digital I/O<br>Slave out, master in – USCI_B2 SPI mode<br>I2C clock – USCI_B2 I2C mode  |

(2) VCORE is for internal use only. No external current loading is possible. VCORE should only be connected to the recommended capacitor value, C<sub>VCORE</sub>.



**TERMINAL FUNCTIONS (continued)**

| TERMINAL                     |     |     |  | I/O <sup>(1)</sup> | DESCRIPTION   |
|------------------------------|-----|-----|--|--------------------|---|
| NAME                         | NO. |     |  |                    |   |
|                              | PZ  | PN  |  |                    |   |
| P9.3/UCB2CLK/UCA2STE         | 71  | N/A |  | I/O                | General-purpose digital I/O<br>Clock signal input – USCI_B2 SPI slave mode<br>Clock signal output – USCI_B2 SPI master mode<br>Slave transmit enable – USCI_A2 SPI mode |
| P9.4/UCA2TXD/UCA2SIMO        | 72  | N/A |  | I/O                | General-purpose digital I/O<br>Transmit data – USCI_A2 UART mode<br>Slave in, master out – USCI_A2 SPI mode   |
| P9.5/UCA2RXD/UCA2SOMI        | 73  | N/A |  | I/O                | General-purpose digital I/O<br>Receive data – USCI_A2 UART mode<br>Slave out, master in – USCI_A2 SPI mode  |
| P9.6                         | 74  | N/A |  | I/O                | General-purpose digital I/O   |
| P9.7                         | 75  | N/A |  | I/O                | General-purpose digital I/O   |
| P10.0/UCB3STE/UCA3CLK        | 76  | N/A |  | I/O                | General-purpose digital I/O<br>Slave transmit enable – USCI_B3 SPI mode<br>Clock signal input – USCI_A3 SPI slave mode<br>Clock signal output – USCI_A3 SPI master mode |
| P10.1/UCB3SIMO/UCB3SDA       | 77  | N/A |  | I/O                | General-purpose digital I/O<br>Slave in, master out – USCI_B3 SPI mode<br>I2C data – USCI_B3 I2C mode   |
| P10.2/UCB3SOMI/UCB3SCL       | 78  | N/A |  | I/O                | General-purpose digital I/O<br>Slave out, master in – USCI_B3 SPI mode<br>I2C clock – USCI_B3 I2C mode  |
| P10.3/UCB3CLK/UCA3STE        | 79  | N/A |  | I/O                | General-purpose digital I/O<br>Clock signal input – USCI_B3 SPI slave mode<br>Clock signal output – USCI_B3 SPI master mode<br>Slave transmit enable – USCI_A3 SPI mode |
| P10.4/UCA3TXD/UCA3SIMO       | 80  | N/A |  | I/O                | General-purpose digital I/O<br>Transmit data – USCI_A3 UART mode<br>Slave in, master out – USCI_A3 SPI mode   |
| P10.5/UCA3RXD/UCA3SOMI       | 81  | N/A |  | I/O                | General-purpose digital I/O<br>Receive data – USCI_A3 UART mode<br>Slave out, master in – USCI_A3 SPI mode  |
| P10.6                        | 82  | N/A |  | I/O                | General-purpose digital I/O   |
| P10.7                        | 83  | N/A |  | I/O                | General-purpose digital I/O   |
| P11.0/ACLK                   | 84  | N/A |  | I/O                | General-purpose digital I/O<br>ACLK output (divided by 1, 2, 4, 8, 16, or 32)   |
| P11.1/MCLK                   | 85  | N/A |  | I/O                | General-purpose digital I/O<br>MCLK output  |
| P11.2/SMCLK                  | 86  | N/A |  | I/O                | General-purpose digital I/O<br>SMCLK output   |
| DVCC4                        | 87  | 67  |  |                    | Digital power supply  |
| DVSS4                        | 88  | 68  |  |                    | Digital ground supply   |
| P5.2/XT2IN                   | 89  | 69  |  | I/O                | General-purpose digital I/O<br>Input terminal for crystal oscillator XT2  |
| P5.3/XT2OUT                  | 90  | 70  |  | I/O                | General-purpose digital I/O<br>Output terminal of crystal oscillator XT2  |
| TEST/SBWTC <sup>(3)</sup>    | 91  | 71  |  | I                  | Test mode pin – select digital I/O on JTAG pins<br>Spy-bi-wire input clock  |
| PJ.0/TDO <sup>(4)</sup>      | 92  | 72  |  | I/O                | General-purpose digital I/O<br>Test data output port  |
| PJ.1/TDI/TCLK <sup>(4)</sup> | 93  | 73  |  | I/O                | General-purpose digital I/O<br>Test data input or test clock input  |

(3) See [Bootstrap Loader \(BSL\)](#) and [JTAG Operation](#) for use with BSL and JTAG functions

(4) See [JTAG Operation](#) for use with JTAG function.

**TERMINAL FUNCTIONS (continued)**

| TERMINAL  |     |     | I/O <sup>(1)</sup> | DESCRIPTION   |
|---|-----|-----|--------------------|---|
| NAME  | NO. |     |                    |   |
|   | PZ  | PN  |                    |   |
| PJ.2/TMS <sup>(4)</sup>                                 | 94  | 74  | I/O                | General-purpose digital I/O<br>Test mode select   |
| PJ.3/TCK <sup>(4)</sup>                                 | 95  | 75  | I/O                | General-purpose digital I/O<br>Test clock   |
| $\overline{\text{RST}}/\text{NMI}/\text{SBWTDIO}^{(3)}$ | 96  | 76  | I/O                | Reset input active low<br>Non-maskable interrupt input<br>Spy-bi-wire data input/output |
| P6.0/A0   | 97  | 77  | I/O                | General-purpose digital I/O<br>Analog input A0 – ADC                                    |
| P6.1/A1   | 98  | 78  | I/O                | General-purpose digital I/O<br>Analog input A1 – ADC                                    |
| P6.2/A2   | 99  | 79  | I/O                | General-purpose digital I/O<br>Analog input A2 – ADC                                    |
| P6.3/A3   | 100 | 80  | I/O                | General-purpose digital I/O<br>Analog input A3 – ADC                                    |
| Reserved  | N/A | N/A |                    |   |

## SHORT-FORM DESCRIPTION

### CPU

The MSP430 CPU has a 16-bit RISC architecture that is highly transparent to the application. All operations, other than program-flow instructions, are performed as register operations in conjunction with seven addressing modes for source operand and four addressing modes for destination operand.

The CPU is integrated with 16 registers that provide reduced instruction execution time. The register-to-register operation execution time is one cycle of the CPU clock.

Four of the registers, R0 to R3, are dedicated as program counter, stack pointer, status register, and constant generator, respectively. The remaining registers are general-purpose registers.

Peripherals are connected to the CPU using data, address, and control buses, and can be handled with all instructions.

The instruction set consists of the original 51 instructions with three formats and seven address modes and additional instructions for the expanded address range. Each instruction can operate on word and byte data.

|                          |           |
|--------------------------|-----------|
| Program Counter          | PC/R0     |
| Stack Pointer            | SP/R1     |
| Status Register          | SR/CG1/R2 |
| Constant Generator       | CG2/R3    |
| General-Purpose Register | R4        |
| General-Purpose Register | R5        |
| General-Purpose Register | R6        |
| General-Purpose Register | R7        |
| General-Purpose Register | R8        |
| General-Purpose Register | R9        |
| General-Purpose Register | R10       |
| General-Purpose Register | R11       |
| General-Purpose Register | R12       |
| General-Purpose Register | R13       |
| General-Purpose Register | R14       |
| General-Purpose Register | R15       |

## Operating Modes

The MSP430 has one active mode and five software selectable low-power modes of operation. An interrupt event can wake up the device from any of the low-power modes, service the request, and restore back to the low-power mode on return from the interrupt program.

The following six operating modes can be configured by software:

- Active mode (AM)
  - All clocks are active
- Low-power mode 0 (LPM0)
  - CPU is disabled
  - ACLK and SMCLK remain active, MCLK is disabled
  - FLL loop control remains active
- Low-power mode 1 (LPM1)
  - CPU is disabled
  - FLL loop control is disabled
  - ACLK and SMCLK remain active, MCLK is disabled
- Low-power mode 2 (LPM2)
  - CPU is disabled
  - MCLK and FLL loop control and DCOCLK are disabled
  - DCO's dc-generator remains enabled
  - ACLK remains active
- Low-power mode 3 (LPM3)
  - CPU is disabled
  - MCLK, FLL loop control, and DCOCLK are disabled
  - DCO's dc generator is disabled
  - ACLK remains active
- Low-power mode 4 (LPM4)
  - CPU is disabled
  - ACLK is disabled
  - MCLK, FLL loop control, and DCOCLK are disabled
  - DCO's dc generator is disabled
  - Crystal oscillator is stopped
  - Complete data retention

## Interrupt Vector Addresses

The interrupt vectors and the power-up start address are located in the address range 0FFFFh to 0FF80h. The vector contains the 16-bit address of the appropriate interrupt-handler instruction sequence.

**Table 2. Interrupt Sources, Flags, and Vectors**

| INTERRUPT SOURCE   | INTERRUPT FLAG  | SYSTEM INTERRUPT | WORD ADDRESS | PRIORITY    |
|--|---|------------------|--------------|-------------|
| <b>System Reset</b><br>Power-Up<br>External Reset<br>Watchdog Timeout, Password Violation<br>Flash Memory Password Violation<br>PMM Password Violation | WDTIFG, KEYV (SYSRSTIV) <sup>(1) (2)</sup>  | Reset            | 0FFFEh       | 63, highest |
| <b>System NMI</b><br>PMM<br>Vacant Memory Access<br>JTAG Mailbox   | SVMLIFG, SVMHIFG, DLYLIFG, DLYHIFG, VLRLIFG, VLRHIFG, VMAIFG, JMBNIFG, JMBOUTIFG (SYSSNIV) <sup>(1)</sup> | (Non)maskable    | 0FFFCCh      | 62          |
| <b>User NMI</b><br>NMI<br>Oscillator Fault<br>Flash Memory Access Violation  | NMIIFG, OFIFG, ACCVIFG (SYSUNIV) <sup>(1) (2)</sup>   | (Non)maskable    | 0FFFAh       | 61          |
| TB0  | TBCCR0 CCIFG0 <sup>(3)</sup>  | Maskable         | 0FFF8h       | 60          |
| TB0  | TBCCR1 CCIFG1 ... TBCCR6 CCIFG6, TBIFG (TBIV) <sup>(1) (3)</sup>  | Maskable         | 0FFF6h       | 59          |
| Watchdog Timer_A Interval Timer Mode   | WDTIFG  | Maskable         | 0FFF4h       | 58          |
| USCI_A0 Receive/Transmit   | UCA0RXIFG, UCA0TXIFG (UCA0IV) <sup>(1) (3)</sup>  | Maskable         | 0FFF2h       | 57          |
| USCI_B0 Receive/Transmit   | UCB0RXIFG, UCB0TXIFG (UCB0IV) <sup>(1) (3)</sup>  | Maskable         | 0FFF0h       | 56          |
| ADC12_A  | ADC12IFG0 ... ADC12IFG15 (ADC12IV) <sup>(1) (3)</sup>   | Maskable         | 0FFEEh       | 55          |
| TA0  | TA0CCR0 CCIFG0 <sup>(3)</sup>   | Maskable         | 0FFECCh      | 54          |
| TA0  | TA0CCR1 CCIFG1 ... TA0CCR4 CCIFG4, TA0IFG (TA0IV) <sup>(1) (3)</sup>                                      | Maskable         | 0FFEAh       | 53          |
| USCI_A2 Receive/Transmit   | UCA2RXIFG, UCA2TXIFG (UCA2IV) <sup>(1) (3)</sup>  | Maskable         | 0FFE8h       | 52          |
| USCI_B2 Receive/Transmit   | UCB2RXIFG, UCB2TXIFG (UCB2IV) <sup>(1) (3)</sup>  | Maskable         | 0FFE6h       | 51          |
| DMA  | DMA0IFG, DMA1IFG, DMA2IFG (DMAIV) <sup>(1) (3)</sup>  | Maskable         | 0FFE4h       | 50          |
| TA1  | TA1CCR0 CCIFG0 <sup>(3)</sup>   | Maskable         | 0FFE2h       | 49          |
| TA1  | TA1CCR1 CCIFG1 ... TA1CCR2 CCIFG2, TA1IFG (TA1IV) <sup>(1) (3)</sup>                                      | Maskable         | 0FFE0h       | 48          |
| I/O Port P1  | P1IFG.0 to P1IFG.7 (P1IV) <sup>(1) (3)</sup>  | Maskable         | 0FFDEh       | 47          |
| USCI_A1 Receive/Transmit   | UCA1RXIFG, UCA1TXIFG (UCA1IV) <sup>(1) (3)</sup>  | Maskable         | 0FFDCh       | 46          |
| USCI_B1 Receive/Transmit   | UCB1RXIFG, UCB1TXIFG (UCB1IV) <sup>(1) (3)</sup>  | Maskable         | 0FFDAh       | 45          |
| USCI_A3 Receive/Transmit   | UCA3RXIFG, UCA3TXIFG (UCA3IV) <sup>(1) (3)</sup>  | Maskable         | 0FFD8h       | 44          |
| USCI_B3 Receive/Transmit   | UCB3RXIFG, UCB3TXIFG (UCB3IV) <sup>(1) (3)</sup>  | Maskable         | 0FFD6h       | 43          |
| I/O Port P2  | P2IFG.0 to P2IFG.7 (P2IV) <sup>(1) (3)</sup>  | Maskable         | 0FFD4h       | 42          |
| RTC_A  | RTCRDYIFG, RTCTEVIFG, RTCAIFG, RT0PSIFG, RT1PSIFG (RTCIV) <sup>(1) (3)</sup>                              | Maskable         | 0FFD2h       | 41          |
| Reserved   | Reserved <sup>(4)</sup>   |                  | 0FFD0h       | 40          |
|  |   |                  | ⋮            | ⋮           |
|  |   |                  | 0FF80h       | 0, lowest   |

(1) Multiple source flags

(2) A reset is generated if the CPU tries to fetch instructions from within peripheral space or vacant memory space.

(Non)maskable: the individual interrupt-enable bit can disable an interrupt event, but the general-interrupt enable cannot disable it.

(3) Interrupt flags are located in the module.

(4) Reserved interrupt vectors at addresses are not used in this device and can be used for regular program code if necessary. To maintain compatibility with other devices, it is recommended to reserve these locations.

### Memory Organization

|   |                | <b>MSP430F5419<br/>MSP430F5418</b> | <b>MSP430F5436<br/>MSP430F5435</b> | <b>MSP430F5438<br/>MSP430F5437</b>          |
|---|----------------|------------------------------------|------------------------------------|---|
| Memory (flash)<br>Main: interrupt vector<br>Main: code memory | Total Size     | 128 KB                             | 192 KB                             | 256 KB                                      |
|   | Flash<br>Flash | 00FFFFh–00FF80h<br>025BFFh–005C00h | 00FFFFh–00FF80h<br>035BFFh–005C00h | 00FFFFh–00FF80h<br>045BFFh–005C00h          |
| Main: code memory   | Bank 3         | N/A                                | 23 KB<br>035BFFh–030000h           | 64 KB<br>03FFFFh–030000h                    |
|   | Bank 2         | 23 KB<br>025BFFh–020000h           | 64 KB<br>02FFFFh–020000h           | 64 KB<br>02FFFFh–020000h                    |
|   | Bank 1         | 64 KB<br>01FFFFh–010000h           | 64 KB<br>01FFFFh–010000h           | 64 KB<br>01FFFFh–010000h                    |
|   | Bank 0         | 41 KB<br>00FFFFh–005C00h           | 41 KB<br>00FFFFh–005C00h           | 64 KB<br>045BFFh–040000h<br>00FFFFh–005C00h |
| RAM   | Size           | 16 KB                              | 16 KB                              | 16 KB                                       |
|   | Sector 3       | 4 KB<br>005BFFh–004C00h            | 4 KB<br>005BFFh–004C00h            | 4 KB<br>005BFFh–004C00h                     |
|   | Sector 2       | 4 KB<br>004BFFh–003C00h            | 4 KB<br>004BFFh–003C00h            | 4 KB<br>004BFFh–003C00h                     |
|   | Sector 1       | 4 KB<br>003BFFh–002C00h            | 4 KB<br>003BFFh–002C00h            | 4 KB<br>003BFFh–002C00h                     |
|   | Sector 0       | 4 KB<br>002BFFh–001C00h            | 4 KB<br>002BFFh–001C00h            | 4 KB<br>002BFFh–001C00h                     |
| Information memory<br>(flash)                                 | Info A         | 128 B<br>0019FFh–001980h           | 128 B<br>0019FFh–001980h           | 128 B<br>0019FFh–001980h                    |
|   | Info B         | 128 B<br>00197Fh–001900h           | 128 B<br>00197Fh–001900h           | 128 B<br>00197Fh–001900h                    |
|   | Info C         | 128 B<br>0018FFh–001880h           | 128 B<br>0018FFh–001880h           | 128 B<br>0018FFh–001880h                    |
|   | Info D         | 128 B<br>00187Fh–001800h           | 128 B<br>00187Fh–001800h           | 128 B<br>00187Fh–001800h                    |
| Bootstrap loader<br>(BSL) <sup>(1)</sup> memory (flash)       | BSL 3          | 512 B<br>0017FFh–001600h           | 512 B<br>0017FFh–001600h           | 512 B<br>0017FFh–001600h                    |
|   | BSL 2          | 512 B<br>0015FFh–001400h           | 512 B<br>0015FFh–001400h           | 512 B<br>0015FFh–001400h                    |
|   | BSL 1          | 512 B<br>0013FFh–001200h           | 512 B<br>0013FFh–001200h           | 512 B<br>0013FFh–001200h                    |
|   | BSL 0          | 512 B<br>0011FFh–001000h           | 512 B<br>0011FFh–001000h           | 512 B<br>0011FFh–001000h                    |
| Peripherals   | Size           | 4KB<br>000FFFh–000000h             | 4KB<br>000FFFh–000000h             | 4KB<br>000FFFh–000000h                      |

(1) The BSL area contains a Texas Instruments provided BSL and cannot be modified.

## Bootstrap Loader (BSL)

The BSL enables users to program the flash memory or RAM using a UART serial interface. Access to the device memory via the BSL is protected by a user-defined password. Usage of the BSL requires four pins as shown in [Table 3](#). BSL entry requires a specific entry sequence on the  $\overline{\text{RST}}/\text{NMI}/\text{SBWTDIO}$  and  $\text{TEST}/\text{SBWTCK}$  pins. For complete description of the features of the BSL and its implementation, see the *MSP430 Memory Programming User's Guide*, literature number [SLAU265](#).

**Table 3. BSL Pin Requirements and Functions**

| DEVICE SIGNAL                                     | BSL FUNCTION          |
|---|-----------------------|
| $\overline{\text{RST}}/\text{NMI}/\text{SBWTDIO}$ | Entry sequence signal |
| $\text{TEST}/\text{SBWTCK}$                       | Entry sequence signal |
| P1.1  | Data transmit         |
| P1.2  | Data receive          |
| VCC   | Power supply          |
| VSS   | Ground supply         |

## JTAG Operation

### JTAG Standard Interface

The MSP430 family supports the standard JTAG interface which requires four signals for sending and receiving data. The JTAG signals are shared with general-purpose I/O. The  $\text{TEST}/\text{SBWTCK}$  pin is used to enable the JTAG signals. In addition to these signals, the  $\overline{\text{RST}}/\text{NMI}/\text{SBWTDIO}$  is required to interface with MSP430 development tools and device programmers. The JTAG pin requirements are shown in [Table 4](#). For further details on interfacing to development tools and device programmers, see the *MSP430 Hardware Tools User's Guide*, literature number [SLAU278](#).

**Table 4. JTAG Pin Requirements and Functions**

| DEVICE SIGNAL                                     | Direction | FUNCTION                   |
|---|-----------|----------------------------|
| PJ.3/TCK  | IN        | JTAG clock input           |
| PJ.2/TMS  | IN        | JTAG state control         |
| PJ.1/TDI/TCLK                                     | IN        | JTAG data input/TCLK input |
| PJ.0/TDO  | OUT       | JTAG data output           |
| $\text{TEST}/\text{SBWTCK}$                       | IN        | Enable JTAG pins           |
| $\overline{\text{RST}}/\text{NMI}/\text{SBWTDIO}$ | IN        | External reset             |
| VCC   |           | Power supply               |
| VSS   |           | Ground supply              |

### Spy-Bi-Wire Interface

In addition to the standard JTAG interface, the MSP430 family supports the two wire Spy-Bi-Wire interface. Spy-Bi-Wire can be used to interface with MSP430 development tools and device programmers. The Spy-Bi-Wire interface pin requirements are shown in [Table 5](#). For further details on interfacing to development tools and device programmers, see the *MSP430 Hardware Tools User's Guide*, literature number [SLAU278](#).

**Table 5. Spy-Bi-Wire Pin Requirements and Functions**

| DEVICE SIGNAL                                     | Direction | FUNCTION                      |
|---|-----------|-------------------------------|
| $\text{TEST}/\text{SBWTCK}$                       | IN        | Spy-Bi-Wire clock input       |
| $\overline{\text{RST}}/\text{NMI}/\text{SBWTDIO}$ | IN, OUT   | Spy-Bi-Wire data input/output |
| VCC   |           | Power supply                  |
| VSS   |           | Ground supply                 |



## Flash Memory

The flash memory can be programmed via the JTAG port, Spy-Bi-Wire (SBW), the BSL, or in-system by the CPU. The CPU can perform single-byte, single-word, and long-word writes to the flash memory. Features of the flash memory include:

- Flash memory has n segments of main memory and four segments of information memory (A to D) of 128 bytes each. Each segment in main memory is 512 bytes in size.
- Segments 0 to n may be erased in one step, or each segment may be individually erased.
- Segments A to D can be erased individually. Segments A to D are also called *information memory*.
- Segment A can be locked separately.

## RAM Memory

The RAM memory is made up of n sectors. Each sector can be completely powered down to save leakage, however all data is lost. Features of the RAM memory include:

- RAM memory has n sectors. The size of a sector can be found in [Memory Organization](#).
- Each sector 0 to n can be completely disabled, however data retention is lost.
- Each sector 0 to n automatically enters low power retention mode when possible.
- For Devices that contain USB memory, the USB memory can be used as normal RAM if USB is not required.

## Peripherals

Peripherals are connected to the CPU through data, address, and control buses and can be handled using all instructions. For complete module descriptions, see the *MSP430x5xx Family User's Guide*, literature number [SLAU208](#).

### Digital I/O

There are up to ten 8-bit I/O ports implemented: For 100-pin options, P1 through P10 are complete. P11 contains three individual I/O ports. For 80-pin options, P1 through P7 are complete. P8 contains seven individual I/O ports. P9 through P11 do not exist. Port PJ contains four individual I/O ports, common to all devices.

- All individual I/O bits are independently programmable.
- Any combination of input, output, and interrupt conditions is possible.
- Pullup or pulldown on all ports is programmable.
- Drive strength on all ports is programmable.
- Edge-selectable interrupt and LPM5 wakeup input capability is available for all bits of ports P1 and P2.
- Read/write access to port-control registers is supported by all instructions.
- Ports can be accessed byte-wise (P1 through P11) or word-wise in pairs (PA through PF).

### Oscillator and System Clock

The clock system in the MSP430x5xx family of devices is supported by the Unified Clock System (UCS) module that includes support for a 32-kHz watch crystal oscillator (XT1 LF mode), an internal very-low-power low-frequency oscillator (VLO), an internal trimmed low-frequency oscillator (REFO), an integrated internal digitally controlled oscillator (DCO), and a high-frequency crystal oscillator (XT1 HF mode or XT2). The UCS module is designed to meet the requirements of both low system cost and low power consumption. The UCS module features digital frequency locked loop (FLL) hardware that, in conjunction with a digital modulator, stabilizes the DCO frequency to a programmable multiple of the selected FLL reference frequency. The internal DCO provides a fast turn-on clock source and stabilizes in less than 5  $\mu$ s. The UCS module provides the following clock signals:

- Auxiliary clock (ACLK), sourced from a 32-kHz watch crystal, a high-frequency crystal, the internal low-frequency oscillator (VLO), the trimmed low-frequency oscillator (REFO), or the internal digitally controlled oscillator DCO.
- Main clock (MCLK), the system clock used by the CPU. MCLK can be sourced by same sources made available to ACLK.
- Sub-Main clock (SMCLK), the subsystem clock used by the peripheral modules. SMCLK can be sourced by same sources made available to ACLK.
- ACLK/n, the buffered output of ACLK, ACLK/2, ACLK/4, ACLK/8, ACLK/16, ACLK/32.

### Power Management Module (PMM)

The PMM includes an integrated voltage regulator that supplies the core voltage to the device and contains programmable output levels to provide for power optimization. The PMM also includes supply voltage supervisor (SVS) and supply voltage monitoring (SVM) circuitry, as well as brownout protection. The brownout circuit is implemented to provide the proper internal reset signal to the device during power-on and power-off. The SVS/SVM circuitry detects if the supply voltage drops below a user-selectable level and supports both supply voltage supervision (the device is automatically reset) and supply voltage monitoring (SVM, the device is not automatically reset). SVS and SVM circuitry is available on the primary supply and core supply.

### Hardware Multiplier

The multiplication operation is supported by a dedicated peripheral module. The module performs operations with 32-bit, 24-bit, 16-bit, and 8-bit operands. The module is capable of supporting signed and unsigned multiplication as well as signed and unsigned multiply and accumulate operations.

**Real-Time Clock (RTC\_A)**

The RTC\_A module can be used as a general-purpose 32-bit counter (counter mode) or as an integrated real-time clock (RTC) (calendar mode). In counter mode, the RTC\_A also includes two independent 8-bit timers that can be cascaded to form a 16-bit timer/counter. Both timers can be read and written by software. Calendar mode integrates an internal calendar which compensates for months with less than 31 days and includes leap year correction. The RTC\_A also supports flexible alarm functions and offset-calibration hardware.

**Watchdog Timer (WDT\_A)**

The primary function of the watchdog timer (WDT\_A) module is to perform a controlled system restart after a software problem occurs. If the selected time interval expires, a system reset is generated. If the watchdog function is not needed in an application, the module can be configured as an interval timer and can generate interrupts at selected time intervals.

**System Module (SYS)**

The SYS module handles many of the system functions within the device. These include power on reset and power up clear handling, NMI source selection and management, reset interrupt vector generators, boot strap loader entry mechanisms, as well as, configuration management (device descriptors). It also includes a data exchange mechanism via JTAG called a JTAG mailbox that can be used in the application.

**Table 6. System Module Interrupt Vector Registers**

| INTERRUPT VECTOR REGISTER      | ADDRESS    | INTERRUPT EVENT                     | VALUE      | PRIORITY             |
|--------------------------------|------------|-------------------------------------|------------|----------------------|
| <b>SYSRSTIV , System Reset</b> | 019Eh      | No interrupt pending                | 00h        |                      |
|                                |            | Brownout (BOR)                      | 02h        | Highest              |
|                                |            | $\overline{\text{RST}}$ /NMI (POR)  | 04h        |                      |
|                                |            | PMMSWBOR (BOR)                      | 06h        |                      |
|                                |            | Reserved                            | 08h        |                      |
|                                |            | Security violation (BOR)            | 0Ah        |                      |
|                                |            | SVSL (POR)                          | 0Ch        |                      |
|                                |            | SVSH (POR)                          | 0Eh        |                      |
|                                |            | SVML_OVP (POR)                      | 10h        |                      |
|                                |            | SVMH_OVP (POR)                      | 12h        |                      |
|                                |            | PMMSWPOR (POR)                      | 14h        |                      |
|                                |            | WDT timeout (PUC)                   | 16h        |                      |
|                                |            | WDT password violation (PUC)        | 18h        |                      |
|                                |            | KEYV flash password violation (PUC) | 1Ah        |                      |
|                                |            | FLL unlock (PUC)                    | 1Ch        |                      |
|                                |            | Peripheral area fetch (PUC)         | 1Eh        |                      |
|                                |            | PMM password violation (PUC)        | 20h        |                      |
| Reserved                       | 22h to 3Eh | Lowest                              |            |                      |
| <b>SYSSNIV , System NMI</b>    | 019Ch      | No interrupt pending                | 00h        |                      |
|                                |            | SVMLIFG                             | 02h        | Highest              |
|                                |            | SVMHIFG                             | 04h        |                      |
|                                |            | SVSMLDLYIFG                         | 06h        |                      |
|                                |            | SVSMHDLYIFG                         | 08h        |                      |
|                                |            | VMAIFG                              | 0Ah        |                      |
|                                |            | JMBINIFG                            | 0Ch        |                      |
|                                |            | JMBOUTIFG                           | 0Eh        |                      |
|                                |            | SVMLVLRIFG                          | 10h        |                      |
|                                |            | SVMHVLRIFG                          | 12h        |                      |
|                                |            | Reserved                            | 14h to 1Eh | Lowest               |
|                                |            | <b>SYSUNIV , User NMI</b>           | 019Ah      | No interrupt pending |
| NMIFG                          | 02h        |                                     |            | Highest              |
| OFIFG                          | 04h        |                                     |            |                      |
| ACCVIFG                        | 06h        |                                     |            |                      |
| Reserved                       | 08h        |                                     |            |                      |
| Reserved                       | 0Ah to 1Eh |                                     |            | Lowest               |

## DMA Controller

The DMA controller allows movement of data from one memory address to another without CPU intervention. For example, the DMA controller can be used to move data from the ADC12\_A conversion memory to RAM. Using the DMA controller can increase the throughput of peripheral modules. The DMA controller reduces system power consumption by allowing the CPU to remain in sleep mode, without having to awaken to move data to or from a peripheral.

**Table 7. DMA Trigger Assignments <sup>(1)</sup>**

| Trigger | Channel       |               |               |
|---------|---------------|---------------|---------------|
|         | 0             | 1             | 2             |
| 0       | DMAREQ        | DMAREQ        | DMAREQ        |
| 1       | TA0CCR0 CCIFG | TA0CCR0 CCIFG | TA0CCR0 CCIFG |
| 2       | TA0CCR2 CCIFG | TA0CCR2 CCIFG | TA0CCR2 CCIFG |
| 3       | TA1CCR0 CCIFG | TA1CCR0 CCIFG | TA1CCR0 CCIFG |
| 4       | TA1CCR2 CCIFG | TA1CCR2 CCIFG | TA1CCR2 CCIFG |
| 5       | TB0CCR0 CCIFG | TB0CCR0 CCIFG | TB0CCR0 CCIFG |
| 6       | TB0CCR2 CCIFG | TB0CCR2 CCIFG | TB0CCR2 CCIFG |
| 7       | Reserved      | Reserved      | Reserved      |
| 8       | Reserved      | Reserved      | Reserved      |
| 9       | Reserved      | Reserved      | Reserved      |
| 10      | Reserved      | Reserved      | Reserved      |
| 11      | Reserved      | Reserved      | Reserved      |
| 12      | Reserved      | Reserved      | Reserved      |
| 13      | Reserved      | Reserved      | Reserved      |
| 14      | Reserved      | Reserved      | Reserved      |
| 15      | Reserved      | Reserved      | Reserved      |
| 16      | UCA0RXIFG     | UCA0RXIFG     | UCA0RXIFG     |
| 17      | UCA0TXIFG     | UCA0TXIFG     | UCA0TXIFG     |
| 18      | UCB0RXIFG     | UCB0RXIFG     | UCB0RXIFG     |
| 19      | UCB0TXIFG     | UCB0TXIFG     | UCB0TXIFG     |
| 20      | UCA1RXIFG     | UCA1RXIFG     | UCA1RXIFG     |
| 21      | UCA1TXIFG     | UCA1TXIFG     | UCA1TXIFG     |
| 22      | UCB1RXIFG     | UCB1RXIFG     | UCB1RXIFG     |
| 23      | UCB1TXIFG     | UCB1TXIFG     | UCB1TXIFG     |
| 24      | ADC12IFGx     | ADC12IFGx     | ADC12IFGx     |
| 25      | Reserved      | Reserved      | Reserved      |
| 26      | Reserved      | Reserved      | Reserved      |
| 27      | Reserved      | Reserved      | Reserved      |
| 28      | Reserved      | Reserved      | Reserved      |
| 29      | MPY ready     | MPY ready     | MPY ready     |
| 30      | DMA2IFG       | DMA0IFG       | DMA1IFG       |
| 31      | DMAE0         | DMAE0         | DMAE0         |

(1) Reserved DMA triggers may be used by other devices in the family. Reserved DMA triggers will not cause any DMA trigger event when selected.

## Universal Serial Communication Interface (USCI)

The USCI modules are used for serial data communication. The USCI module supports synchronous communication protocols such as SPI (3 or 4 pin) and I<sup>2</sup>C, and asynchronous communication protocols such as UART, enhanced UART with automatic baudrate detection, and IrDA. Each USCI module contains two portions, A and B.

The USCI\_An module provides support for SPI (3 pin or 4 pin), UART, enhanced UART, or IrDA.

The USCI\_Bn module provides support for SPI (3 pin or 4 pin) or I2C.

The MSP430F5438, MSP430F5436, and MSP430F5419 include four complete USCI modules (n = 0 to 3). The MSP430F5437, MSP430F5435, and MSP430F5418 include two complete USCI modules (n = 0 to 1).

## TA0

TA0 is a 16-bit timer/counter (Timer\_A type) with five capture/compare registers. It can support multiple capture/compares, PWM outputs, and interval timing. It also has extensive interrupt capabilities. Interrupts may be generated from the counter on overflow conditions and from each of the capture/compare registers.

**Table 8. TA0 Signal Connections**

| INPUT PIN NUMBER |         | DEVICE INPUT SIGNAL | MODULE INPUT SIGNAL       | MODULE BLOCK | MODULE OUTPUT SIGNAL | DEVICE OUTPUT SIGNAL | OUTPUT PIN NUMBER                   |                                     |
|------------------|---------|---------------------|---------------------------|--------------|----------------------|----------------------|-------------------------------------|-------------------------------------|
| PZ               | PN      |                     |                           |              |                      |                      | PZ                                  | PN                                  |
| 17-P1.0          | 17-P1.0 | TA0CLK              | TACLK                     | Timer        | NA                   | NA                   |                                     |                                     |
|                  |         | ACLK                | ACLK                      |              |                      |                      |                                     |                                     |
|                  |         | SMCLK               | SMCLK                     |              |                      |                      |                                     |                                     |
| 17-P1.0          | 17-P1.0 | TA0CLK              | $\overline{\text{TACLK}}$ |              |                      |                      |                                     |                                     |
| 18-P1.1          | 18-P1.1 | TA0.0               | CCI0A                     | CCR0         | TA0                  | TA0.0                | 18-P1.1                             | 18-P1.1                             |
| 57-P8.0          | 60-P8.0 | TA0.0               | CCI0B                     |              |                      |                      | 57-P8.0                             | 60-P8.0                             |
|                  |         | DV <sub>SS</sub>    | GND                       |              |                      |                      | ADC12 (internal)<br>ADC12SHSx = {1} | ADC12 (internal)<br>ADC12SHSx = {1} |
|                  |         | DV <sub>CC</sub>    | V <sub>CC</sub>           |              |                      |                      |                                     |                                     |
| 19-P1.2          | 19-P1.2 | TA0.1               | CCI1A                     | CCR1         | TA1                  | TA0.1                | 19-P1.2                             | 19-P1.2                             |
| 58-P8.1          | 61-P8.1 | TA0.1               | CCI1B                     |              |                      |                      | 58-P8.1                             | 61-P8.1                             |
|                  |         | DV <sub>SS</sub>    | GND                       |              |                      |                      |                                     |                                     |
|                  |         | DV <sub>CC</sub>    | V <sub>CC</sub>           |              |                      |                      |                                     |                                     |
| 20-P1.3          | 20-P1.3 | TA0.2               | CCI2A                     | CCR2         | TA2                  | TA0.2                | 20-P1.3                             | 20-P1.3                             |
| 59-P8.2          | 62-P8.2 | TA0.2               | CCI2B                     |              |                      |                      | 59-P8.2                             | 62-P8.2                             |
|                  |         | DV <sub>SS</sub>    | GND                       |              |                      |                      |                                     |                                     |
|                  |         | DV <sub>CC</sub>    | V <sub>CC</sub>           |              |                      |                      |                                     |                                     |
| 21-P1.4          | 21-P1.4 | TA0.3               | CCI3A                     | CCR3         | TA3                  | TA0.3                | 21-P1.4                             | 21-P1.4                             |
| 60-P8.3          | 63-P8.3 | TA0.3               | CCI3B                     |              |                      |                      | 60-P8.3                             | 63-P8.3                             |
|                  |         | DV <sub>SS</sub>    | GND                       |              |                      |                      |                                     |                                     |
|                  |         | DV <sub>CC</sub>    | V <sub>CC</sub>           |              |                      |                      |                                     |                                     |
| 22-P1.5          | 22-P1.5 | TA0.4               | CCI4A                     | CCR4         | TA4                  | TA0.4                | 22-P1.5                             | 22-P1.5                             |
| 61-P8.4          | 64-P8.4 | TA0.4               | CCI4B                     |              |                      |                      | 61-P8.4                             | 64-P8.4                             |
|                  |         | DV <sub>SS</sub>    | GND                       |              |                      |                      |                                     |                                     |
|                  |         | DV <sub>CC</sub>    | V <sub>CC</sub>           |              |                      |                      |                                     |                                     |

**TA1**

TA1 is a 16-bit timer/counter (Timer\_A type) with three capture/compare registers. It can support multiple capture/compares, PWM outputs, and interval timing. It also has extensive interrupt capabilities. Interrupts may be generated from the counter on overflow conditions and from each of the capture/compare registers.

**Table 9. TA1 Signal Connections**

| INPUT PIN NUMBER |         | DEVICE INPUT SIGNAL | MODULE INPUT SIGNAL       | MODULE BLOCK | MODULE OUTPUT SIGNAL | DEVICE OUTPUT SIGNAL | OUTPUT PIN NUMBER |         |
|------------------|---------|---------------------|---------------------------|--------------|----------------------|----------------------|-------------------|---------|
| PZ               | PN      |                     |                           |              |                      |                      | PZ                | PN      |
| 25-P2.0          | 25-P2.0 | TA1CLK              | TACLK                     | Timer        | NA                   | NA                   |                   |         |
|                  |         | ACLK                | ACLK                      |              |                      |                      |                   |         |
|                  |         | SMCLK               | SMCLK                     |              |                      |                      |                   |         |
| 25-P2.0          | 25-P2.0 | TA1CLK              | $\overline{\text{TACLK}}$ |              |                      |                      |                   |         |
| 26-P2.1          | 26-P2.1 | TA1.0               | CCI0A                     | CCR0         | TA0                  | TA1.0                | 26-P2.1           | 26-P2.1 |
| 65-P8.5          | 65-P8.5 | TA1.0               | CCI0B                     |              |                      |                      | 65-P8.5           | 65-P8.5 |
|                  |         | DV <sub>SS</sub>    | GND                       |              |                      |                      |                   |         |
|                  |         | DV <sub>CC</sub>    | V <sub>CC</sub>           |              |                      |                      |                   |         |
| 27-P2.2          | 27-P2.2 | TA1.1               | CCI1A                     | CCR1         | TA1                  | TA1.1                | 27-P2.2           | 27-P2.2 |
| 66-P8.6          | 66-P8.6 | TA1.1               | CCI1B                     |              |                      |                      | 66-P8.6           | 66-P8.6 |
|                  |         | DV <sub>SS</sub>    | GND                       |              |                      |                      |                   |         |
|                  |         | DV <sub>CC</sub>    | V <sub>CC</sub>           |              |                      |                      |                   |         |
| 28-P2.3          | 28-P2.3 | TA1.2               | CCI2A                     | CCR2         | TA2                  | TA1.2                | 28-P2.3           | 28-P2.3 |
| 56-P7.3          | 59-P7.3 | TA1.2               | CCI2B                     |              |                      |                      | 56-P7.3           | 59-P7.3 |
|                  |         | DV <sub>SS</sub>    | GND                       |              |                      |                      |                   |         |
|                  |         | DV <sub>CC</sub>    | V <sub>CC</sub>           |              |                      |                      |                   |         |



**TB0**

TB0 is a 16-bit timer/counter (Timer\_B type) with seven capture/compare registers. It can support multiple capture/comparers, PWM outputs, and interval timing. It also has extensive interrupt capabilities. Interrupts may be generated from the counter on overflow conditions and from each of the capture/compare registers.

**Table 10. TB0 Signal Connections**

| INPUT PIN NUMBER |         | DEVICE INPUT SIGNAL | MODULE INPUT SIGNAL       | MODULE BLOCK | MODULE OUTPUT SIGNAL | DEVICE OUTPUT SIGNAL | OUTPUT PIN NUMBER                   |                                     |
|------------------|---------|---------------------|---------------------------|--------------|----------------------|----------------------|-------------------------------------|-------------------------------------|
| PZ               | PN      |                     |                           |              |                      |                      | PZ                                  | PN                                  |
| 50-P4.7          | 53-P4.7 | TB0CLK              | TBCLK                     | Timer        | NA                   | NA                   |                                     |                                     |
|                  |         | ACLK                | ACLK                      |              |                      |                      |                                     |                                     |
|                  |         | SMCLK               | SMCLK                     |              |                      |                      |                                     |                                     |
| 50-P4.7          | 53-P4.7 | TB0CLK              | $\overline{\text{TBCLK}}$ |              |                      |                      |                                     |                                     |
| 43-P4.0          | 43-P4.0 | TB0.0               | CCI0A                     | CCR0         | TB0                  | TB0.0                | 43-P4.0                             | 43-P4.0                             |
| 43-P4.0          | 43-P4.0 | TB0.0               | CCI0B                     |              |                      |                      | ADC12 (internal)<br>ADC12SHSx = {2} | ADC12 (internal)<br>ADC12SHSx = {2} |
|                  |         | DV <sub>SS</sub>    | GND                       |              |                      |                      |                                     |                                     |
|                  |         | DV <sub>CC</sub>    | V <sub>CC</sub>           |              |                      |                      |                                     |                                     |
| 44-P4.1          | 44-P4.1 | TB0.1               | CCI1A                     | CCR1         | TB1                  | TB0.1                | 44-P4.1                             | 44-P4.1                             |
| 44-P4.1          | 44-P4.1 | TB0.1               | CCI1B                     |              |                      |                      | ADC12 (internal)<br>ADC12SHSx = {3} | ADC12 (internal)<br>ADC12SHSx = {3} |
|                  |         | DV <sub>SS</sub>    | GND                       |              |                      |                      |                                     |                                     |
|                  |         | DV <sub>CC</sub>    | V <sub>CC</sub>           |              |                      |                      |                                     |                                     |
| 45-P4.2          | 45-P4.2 | TB0.2               | CCI2A                     | CCR2         | TB2                  | TB0.2                | 45-P4.2                             | 45-P4.2                             |
| 45-P4.2          | 45-P4.2 | TB0.2               | CCI2B                     |              |                      |                      |                                     |                                     |
|                  |         | DV <sub>SS</sub>    | GND                       |              |                      |                      |                                     |                                     |
|                  |         | DV <sub>CC</sub>    | V <sub>CC</sub>           |              |                      |                      |                                     |                                     |
| 46-P4.3          | 46-P4.3 | TB0.3               | CCI3A                     | CCR3         | TB3                  | TB0.3                | 46-P4.3                             | 46-P4.3                             |
| 46-P4.3          | 46-P4.3 | TB0.3               | CCI3B                     |              |                      |                      |                                     |                                     |
|                  |         | DV <sub>SS</sub>    | GND                       |              |                      |                      |                                     |                                     |
|                  |         | DV <sub>CC</sub>    | V <sub>CC</sub>           |              |                      |                      |                                     |                                     |
| 47-P4.4          | 47-P4.4 | TB0.4               | CCI4A                     | CCR4         | TB4                  | TB0.4                | 47-P4.4                             | 47-P4.4                             |
| 47-P4.4          | 47-P4.4 | TB0.4               | CCI4B                     |              |                      |                      |                                     |                                     |
|                  |         | DV <sub>SS</sub>    | GND                       |              |                      |                      |                                     |                                     |
|                  |         | DV <sub>CC</sub>    | V <sub>CC</sub>           |              |                      |                      |                                     |                                     |
| 48-P4.5          | 48-P4.5 | TB0.5               | CCI5A                     | CCR5         | TB5                  | TB0.5                | 48-P4.5                             | 48-P4.5                             |
| 48-P4.5          | 48-P4.5 | TB0.5               | CCI5B                     |              |                      |                      |                                     |                                     |
|                  |         | DV <sub>SS</sub>    | GND                       |              |                      |                      |                                     |                                     |
|                  |         | DV <sub>CC</sub>    | V <sub>CC</sub>           |              |                      |                      |                                     |                                     |
| 49-P4.6          | 52-P4.6 | TB0.6               | CCI6A                     | CCR6         | TB6                  | TB0.6                | 49-P4.6                             | 52-P4.6                             |
|                  |         | ACLK (internal)     | CCI6B                     |              |                      |                      |                                     |                                     |
|                  |         | DV <sub>SS</sub>    | GND                       |              |                      |                      |                                     |                                     |
|                  |         | DV <sub>CC</sub>    | V <sub>CC</sub>           |              |                      |                      |                                     |                                     |

**ADC12\_A**

The ADC12\_A module supports fast, 12-bit analog-to-digital conversions. The module implements a 12-bit SAR core, sample select control, reference generator and a 16 word conversion-and-control buffer. The conversion-and-control buffer allows up to 16 independent ADC samples to be converted and stored without any CPU intervention.

**CRC16**

The CRC16 module produces a signature based on a sequence of entered data values and can be used for data checking purposes. The CRC16 module signature is based on the CRC-CCITT standard.

**Embedded Emulation Module (EEM, L Version)**

The Embedded Emulation Module (EEM) supports real-time in-system debugging. The L version of the EEM implemented on all devices has the following features:

- Eight hardware triggers/breakpoints on memory access
- Two hardware trigger/breakpoint on CPU register write access
- Up to ten hardware triggers can be combined to form complex triggers/breakpoints
- Two cycle counters
- Sequencer
- State storage
- Clock control on module level

**Peripheral File Map**
**Table 11. Peripherals**

| MODULE NAME   | BASE ADDRESS | OFFSET ADDRESS RANGE |
|---|--------------|----------------------|
| Special Functions (refer to <a href="#">Table 12</a> )          | 0100h        | 000h - 01Fh          |
| PMM (refer to <a href="#">Table 13</a> )                        | 0120h        | 000h - 00Fh          |
| Flash Control (refer to <a href="#">Table 14</a> )              | 0140h        | 000h - 00Fh          |
| CRC16 (refer to <a href="#">Table 15</a> )                      | 0150h        | 000h - 007h          |
| RAM Control (refer to <a href="#">Table 16</a> )                | 0158h        | 000h - 001h          |
| Watchdog (refer to <a href="#">Table 17</a> )                   | 015Ch        | 000h - 001h          |
| UCS (refer to <a href="#">Table 18</a> )                        | 0160h        | 000h - 01Fh          |
| SYS (refer to <a href="#">Table 19</a> )                        | 0180h        | 000h - 01Fh          |
| Port P1/P2 (refer to <a href="#">Table 20</a> )                 | 0200h        | 000h - 01Fh          |
| Port P3/P4 (refer to <a href="#">Table 21</a> )                 | 0220h        | 000h - 00Bh          |
| Port P5/P6 (refer to <a href="#">Table 22</a> )                 | 0240h        | 000h - 00Bh          |
| Port P7/P8 (refer to <a href="#">Table 23</a> )                 | 0260h        | 000h - 00Bh          |
| Port P9/P10 (refer to <a href="#">Table 24</a> ) <sup>(1)</sup> | 0280h        | 000h - 00Bh          |
| Port P11 (refer to <a href="#">Table 25</a> ) <sup>(1)</sup>    | 02A0h        | 000h - 00Ah          |
| Port PJ (refer to <a href="#">Table 26</a> )                    | 0320h        | 000h - 01Fh          |
| TA0 (refer to <a href="#">Table 27</a> )                        | 0340h        | 000h - 02Eh          |
| TA1 (refer to <a href="#">Table 28</a> )                        | 0380h        | 000h - 02Eh          |
| TB0 (refer to <a href="#">Table 29</a> )                        | 03C0h        | 000h - 02Eh          |
| Real Timer Clock (RTC_A) (refer to <a href="#">Table 30</a> )   | 04A0h        | 000h - 01Bh          |
| 32-bit Hardware Multiplier (refer to <a href="#">Table 31</a> ) | 04C0h        | 000h - 02Fh          |
| DMA General Control (refer to <a href="#">Table 32</a> )        | 0500h        | 000h - 00Fh          |
| DMA Channel 0 (refer to <a href="#">Table 32</a> )              | 0510h        | 000h - 00Ah          |
| DMA Channel 1 (refer to <a href="#">Table 32</a> )              | 0520h        | 000h - 00Ah          |
| DMA Channel 2 (refer to <a href="#">Table 32</a> )              | 0530h        | 000h - 00Ah          |
| USCI_A0 (refer to <a href="#">Table 33</a> )                    | 05C0h        | 000h - 01Fh          |
| USCI_B0 (refer to <a href="#">Table 34</a> )                    | 05E0h        | 000h - 01Fh          |
| USCI_A1 (refer to <a href="#">Table 35</a> )                    | 0600h        | 000h - 01Fh          |
| USCI_B1 (refer to <a href="#">Table 36</a> )                    | 0620h        | 000h - 01Fh          |
| USCI_A2 (refer to <a href="#">Table 37</a> ) <sup>(1)</sup>     | 0640h        | 000h - 01Fh          |
| USCI_B2 (refer to <a href="#">Table 38</a> ) <sup>(1)</sup>     | 0660h        | 000h - 01Fh          |
| USCI_A3 (refer to <a href="#">Table 39</a> ) <sup>(1)</sup>     | 0680h        | 000h - 01Fh          |
| USCI_B3 (refer to <a href="#">Table 40</a> ) <sup>(1)</sup>     | 06A0h        | 000h - 01Fh          |
| ADC12_A (refer to <a href="#">Table 41</a> )                    | 0700h        | 000h - 03Eh          |

(1) Not available on 'F5437, 'F5435, 'F5418 devices

**Table 12. Special Function Registers (Base Address: 0100h)**

| REGISTER DESCRIPTION  | REGISTER | OFFSET |
|-----------------------|----------|--------|
| SFR interrupt enable  | SFRIE1   | 00h    |
| SFR interrupt flag    | SFRIFG1  | 02h    |
| SFR reset pin control | SFRRPCR  | 04h    |

**Table 13. PMM Registers (Base Address: 0120h)**

| REGISTER DESCRIPTION  | REGISTER | OFFSET |
|-----------------------|----------|--------|
| PMM Control 0         | PMMCTL0  | 00h    |
| PMM control 1         | PMMCTL1  | 02h    |
| SVS high side control | SVSMHCTL | 04h    |
| SVS low side control  | SVSMLCTL | 06h    |
| PMM interrupt flags   | PMMIFG   | 0Ch    |
| PMM interrupt enable  | PMMIE    | 0Eh    |

**Table 14. Flash Control Registers (Base Address: 0140h)**

| REGISTER DESCRIPTION | REGISTER | OFFSET |
|----------------------|----------|--------|
| Flash control 1      | FCTL1    | 00h    |
| Flash control 3      | FCTL3    | 04h    |
| Flash control 4      | FCTL4    | 06h    |

**Table 15. CRC16 Registers (Base Address: 0150h)**

| REGISTER DESCRIPTION | REGISTER  | OFFSET |
|----------------------|-----------|--------|
| CRC data input       | CRC16DI   | 00h    |
| CRC result           | CRC16NIRE | 04h    |

**Table 16. RAM Control Registers (Base Address: 0158h)**

| REGISTER DESCRIPTION | REGISTER | OFFSET |
|----------------------|----------|--------|
| RAM control 0        | RCCTL0   | 00h    |

**Table 17. Watchdog Registers (Base Address: 015Ch)**

| REGISTER DESCRIPTION   | REGISTER | OFFSET |
|------------------------|----------|--------|
| Watchdog timer control | WDTCTL   | 00h    |

**Table 18. UCS Registers (Base Address: 0160h)**

| REGISTER DESCRIPTION | REGISTER | OFFSET |
|----------------------|----------|--------|
| UCS control 0        | UCSCTL0  | 00h    |
| UCS control 1        | UCSCTL1  | 02h    |
| UCS control 2        | UCSCTL2  | 04h    |
| UCS control 3        | UCSCTL3  | 06h    |
| UCS control 4        | UCSCTL4  | 08h    |
| UCS control 5        | UCSCTL5  | 0Ah    |
| UCS control 6        | UCSCTL6  | 0Ch    |
| UCS control 7        | UCSCTL7  | 0Eh    |
| UCS control 8        | UCSCTL8  | 10h    |

**Table 19. SYS Registers (Base Address: 0180h)**

| REGISTER DESCRIPTION                | REGISTER  | OFFSET |
|-------------------------------------|-----------|--------|
| System control                      | SYSCTL    | 00h    |
| Bootstrap loader configuration area | SYSBSLC   | 02h    |
| JTAG mailbox control                | SYSJMBC   | 06h    |
| JTAG mailbox input 0                | SYSJMBI0  | 08h    |
| JTAG mailbox input 1                | SYSJMBI1  | 0Ah    |
| JTAG mailbox output 0               | SYSJMBO0  | 0Ch    |
| JTAG mailbox output 1               | SYSJMBO1  | 0Eh    |
| Bus Error vector generator          | SYSBERRIV | 18h    |
| User NMI vector generator           | SYSUNIV   | 1Ah    |
| System NMI vector generator         | SYSSNIV   | 1Ch    |
| Reset vector generator              | SYSRSTIV  | 1Eh    |

**Table 20. Port P1/P2 Registers (Base Address: 0200h)**

| REGISTER DESCRIPTION           | REGISTER | OFFSET |
|--------------------------------|----------|--------|
| Port P1 input                  | P1IN     | 00h    |
| Port P1 output                 | P1OUT    | 02h    |
| Port P1 direction              | P1DIR    | 04h    |
| Port P1 pullup/pulldown enable | P1REN    | 06h    |
| Port P1 drive strength         | P1DS     | 08h    |
| Port P1 selection              | P1SEL    | 0Ah    |
| Port P1 interrupt vector word  | P1IV     | 0Eh    |
| Port P1 interrupt edge select  | P1IES    | 18h    |
| Port P1 interrupt enable       | P1IE     | 1Ah    |
| Port P1 interrupt flag         | P1IFG    | 1Ch    |
| Port P2 input                  | P2IN     | 01h    |
| Port P2 output                 | P2OUT    | 03h    |
| Port P2 direction              | P2DIR    | 05h    |
| Port P2 pullup/pulldown enable | P2REN    | 07h    |
| Port P2 drive strength         | P2DS     | 09h    |
| Port P2 selection              | P2SEL    | 0Bh    |
| Port P2 interrupt vector word  | P2IV     | 1Eh    |
| Port P2 interrupt edge select  | P2IES    | 19h    |
| Port P2 interrupt enable       | P2IE     | 1Bh    |
| Port P2 interrupt flag         | P2IFG    | 1Dh    |

**Table 21. Port P3/P4 Registers (Base Address: 0220h)**

| REGISTER DESCRIPTION           | REGISTER | OFFSET |
|--------------------------------|----------|--------|
| Port P3 input                  | P3IN     | 00h    |
| Port P3 output                 | P3OUT    | 02h    |
| Port P3 direction              | P3DIR    | 04h    |
| Port P3 pullup/pulldown enable | P3REN    | 06h    |
| Port P3 drive strength         | P3DS     | 08h    |
| Port P3 selection              | P3SEL    | 0Ah    |
| Port P4 input                  | P4IN     | 01h    |
| Port P4 output                 | P4OUT    | 03h    |
| Port P4 direction              | P4DIR    | 05h    |
| Port P4 pullup/pulldown enable | P4REN    | 07h    |
| Port P4 drive strength         | P4DS     | 09h    |
| Port P4 selection              | P4SEL    | 0Bh    |

**Table 22. Port P5/P6 Registers (Base Address: 0240h)**

| REGISTER DESCRIPTION           | REGISTER | OFFSET |
|--------------------------------|----------|--------|
| Port P5 input                  | P5IN     | 00h    |
| Port P5 output                 | P5OUT    | 02h    |
| Port P5 direction              | P5DIR    | 04h    |
| Port P5 pullup/pulldown enable | P5REN    | 06h    |
| Port P5 drive strength         | P5DS     | 08h    |
| Port P5 selection              | P5SEL    | 0Ah    |
| Port P6 input                  | P6IN     | 01h    |
| Port P6 output                 | P6OUT    | 03h    |
| Port P6 direction              | P6DIR    | 05h    |
| Port P6 pullup/pulldown enable | P6REN    | 07h    |
| Port P6 drive strength         | P6DS     | 09h    |
| Port P6 selection              | P6SEL    | 0Bh    |

**Table 23. Port P7/P8 Registers (Base Address: 0260h)**

| REGISTER DESCRIPTION           | REGISTER | OFFSET |
|--------------------------------|----------|--------|
| Port P7 input                  | P7IN     | 00h    |
| Port P7 output                 | P7OUT    | 02h    |
| Port P7 direction              | P7DIR    | 04h    |
| Port P7 pullup/pulldown enable | P7REN    | 06h    |
| Port P7 drive strength         | P7DS     | 08h    |
| Port P7 selection              | P7SEL    | 0Ah    |
| Port P8 input                  | P8IN     | 01h    |
| Port P8 output                 | P8OUT    | 03h    |
| Port P8 direction              | P8DIR    | 05h    |
| Port P8 pullup/pulldown enable | P8REN    | 07h    |
| Port P8 drive strength         | P8DS     | 09h    |
| Port P8 selection              | P8SEL    | 0Bh    |

**Table 24. Port P9/P10 Registers (Base Address: 0280h)**

| REGISTER DESCRIPTION            | REGISTER | OFFSET |
|---------------------------------|----------|--------|
| Port P9 input                   | P9IN     | 00h    |
| Port P9 output                  | P9OUT    | 02h    |
| Port P9 direction               | P9DIR    | 04h    |
| Port P9 pullup/pulldown enable  | P9REN    | 06h    |
| Port P9 drive strength          | P9DS     | 08h    |
| Port P9 selection               | P9SEL    | 0Ah    |
| Port P10 input                  | P10IN    | 01h    |
| Port P10 output                 | P10OUT   | 03h    |
| Port P10 direction              | P10DIR   | 05h    |
| Port P10 pullup/pulldown enable | P10REN   | 07h    |
| Port P10 drive strength         | P10DS    | 09h    |
| Port P10 selection              | P10SEL   | 0Bh    |

**Table 25. Port P11 Registers (Base Address: 02A0h)**

| REGISTER DESCRIPTION            | REGISTER | OFFSET |
|---------------------------------|----------|--------|
| Port P11 input                  | P11IN    | 00h    |
| Port P11 output                 | P11OUT   | 02h    |
| Port P11 direction              | P11DIR   | 04h    |
| Port P11 pullup/pulldown enable | P11REN   | 06h    |
| Port P11 drive strength         | P11DS    | 08h    |
| Port P11 selection              | P11SEL   | 0Ah    |

**Table 26. Port J Registers (Base Address: 0320h)**

| REGISTER DESCRIPTION           | REGISTER | OFFSET |
|--------------------------------|----------|--------|
| Port PJ input                  | PJIN     | 00h    |
| Port PJ output                 | PJOUT    | 02h    |
| Port PJ direction              | PJDIR    | 04h    |
| Port PJ pullup/pulldown enable | PJREN    | 06h    |
| Port PJ drive strength         | PJDS     | 08h    |

**Table 27. TA0 Registers (Base Address: 0340h)**

| REGISTER DESCRIPTION       | REGISTER | OFFSET |
|----------------------------|----------|--------|
| TA0 control                | TA0CTL   | 00h    |
| Capture/compare control 0  | TA0CCTL0 | 02h    |
| Capture/compare control 1  | TA0CCTL1 | 04h    |
| Capture/compare control 2  | TA0CCTL2 | 06h    |
| Capture/compare control 3  | TA0CCTL3 | 08h    |
| Capture/compare control 4  | TA0CCTL4 | 0Ah    |
| TA0 counter register       | TA0R     | 10h    |
| Capture/compare register 0 | TA0CCR0  | 12h    |
| Capture/compare register 1 | TA0CCR1  | 14h    |
| Capture/compare register 2 | TA0CCR2  | 16h    |
| Capture/compare register 3 | TA0CCR3  | 18h    |
| Capture/compare register 4 | TA0CCR4  | 1Ah    |
| TA0 expansion register 0   | TA0EX0   | 20h    |
| TA0 interrupt vector       | TA0IV    | 2Eh    |



**Table 28. TA1 Registers (Base Address: 0380h)**

| REGISTER DESCRIPTION       | REGISTER | OFFSET |
|----------------------------|----------|--------|
| TA1 control                | TA1CTL   | 00h    |
| Capture/compare control 0  | TA1CCTL0 | 02h    |
| Capture/compare control 1  | TA1CCTL1 | 04h    |
| Capture/compare control 2  | TA1CCTL2 | 06h    |
| TA1 counter register       | TA1R     | 10h    |
| Capture/compare register 0 | TA1CCR0  | 12h    |
| Capture/compare register 1 | TA1CCR1  | 14h    |
| Capture/compare register 2 | TA1CCR2  | 16h    |
| TA1 expansion register 0   | TA1EX0   | 20h    |
| TA1 interrupt vector       | TA1IV    | 2Eh    |

**Table 29. TB0 Registers (Base Address: 03C0h)**

| REGISTER DESCRIPTION       | REGISTER | OFFSET |
|----------------------------|----------|--------|
| TB0 control                | TB0CTL   | 00h    |
| Capture/compare control 0  | TB0CCTL0 | 02h    |
| Capture/compare control 1  | TB0CCTL1 | 04h    |
| Capture/compare control 2  | TB0CCTL2 | 06h    |
| Capture/compare control 3  | TB0CCTL3 | 08h    |
| Capture/compare control 4  | TB0CCTL4 | 0Ah    |
| Capture/compare control 5  | TB0CCTL5 | 0Ch    |
| Capture/compare control 6  | TB0CCTL6 | 0Eh    |
| TB0 register               | TB0R     | 10h    |
| Capture/compare register 0 | TB0CCR0  | 12h    |
| Capture/compare register 1 | TB0CCR1  | 14h    |
| Capture/compare register 2 | TB0CCR2  | 16h    |
| Capture/compare register 3 | TB0CCR3  | 18h    |
| Capture/compare register 4 | TB0CCR4  | 1Ah    |
| Capture/compare register 5 | TB0CCR5  | 1Ch    |
| Capture/compare register 6 | TB0CCR6  | 1Eh    |
| TB0 expansion register 0   | TB0EX0   | 20h    |
| TB0 interrupt vector       | TB0IV    | 2Eh    |

**Table 30. Real-Time Clock Registers (Base Address: 04A0h)**

| REGISTER DESCRIPTION               | REGISTER       | OFFSET |
|------------------------------------|----------------|--------|
| RTC control 0                      | RTCCTL0        | 00h    |
| RTC control 1                      | RTCCTL1        | 01h    |
| RTC control 2                      | RTCCTL2        | 02h    |
| RTC control 3                      | RTCCTL3        | 03h    |
| RTC prescaler 0 control            | RTCPS0CTL      | 08h    |
| RTC prescaler 1 control            | RTCPS1CTL      | 0Ah    |
| RTC prescaler 0                    | RTCPS0         | 0Ch    |
| RTC prescaler 1                    | RTCPS1         | 0Dh    |
| RTC interrupt vector word          | RTCIV          | 0Eh    |
| RTC seconds/counter register 1     | RTCSEC/RTCNT1  | 10h    |
| RTC minutes/counter register 2     | RTCMIN/RTCNT2  | 11h    |
| RTC hours/counter register 3       | RTCHOUR/RTCNT3 | 12h    |
| RTC day of week/counter register 4 | RTCDOW/RTCNT4  | 13h    |
| RTC days                           | RTCDAY         | 14h    |
| RTC month                          | RTCMON         | 15h    |
| RTC year low                       | RTCYEARL       | 16h    |
| RTC year high                      | RTCYEARH       | 17h    |
| RTC alarm minutes                  | RTCAMIN        | 18h    |
| RTC alarm hours                    | RTCAHOUR       | 19h    |
| RTC alarm day of week              | RTCADOW        | 1Ah    |
| RTC alarm days                     | RTCADAY        | 1Bh    |

**Table 31. 32-bit Hardware Multiplier Registers (Base Address: 04C0h)**

| REGISTER DESCRIPTION                                    | REGISTER  | OFFSET |
|---|-----------|--------|
| 16-bit operand 1 – multiply                             | MPY       | 00h    |
| 16-bit operand 1 – signed multiply                      | MPYS      | 02h    |
| 16-bit operand 1 – multiply accumulate                  | MAC       | 04h    |
| 16-bit operand 1 – signed multiply accumulate           | MACS      | 06h    |
| 16-bit operand 2  | OP2       | 08h    |
| 16 × 16 result low word                                 | RESLO     | 0Ah    |
| 16 × 16 result high word                                | RESHI     | 0Ch    |
| 16 × 16 sum extension register                          | SUMEXT    | 0Eh    |
| 32-bit operand 1 – multiply low word                    | MPY32L    | 10h    |
| 32-bit operand 1 – multiply high word                   | MPY32H    | 12h    |
| 32-bit operand 1 – signed multiply low word             | MPYS32L   | 14h    |
| 32-bit operand 1 – signed multiply high word            | MPYS32H   | 16h    |
| 32-bit operand 1 – multiply accumulate low word         | MAC32L    | 18h    |
| 32-bit operand 1 – multiply accumulate high word        | MAC32H    | 1Ah    |
| 32-bit operand 1 – signed multiply accumulate low word  | MACS32L   | 1Ch    |
| 32-bit operand 1 – signed multiply accumulate high word | MACS32H   | 1Eh    |
| 32-bit operand 2 – low word                             | OP2L      | 20h    |
| 32-bit operand 2 – high word                            | OP2H      | 22h    |
| 32 × 32 result 0 – least significant word               | RES0      | 24h    |
| 32 × 32 result 1  | RES1      | 26h    |
| 32 × 32 result 2  | RES2      | 28h    |
| 32 × 32 result 3 – most significant word                | RES3      | 2Ah    |
| MPY32 control register 0                                | MPY32CTL0 | 2Ch    |

**Table 32. DMA Registers (Base Address DMA General Control: 0500h, DMA Channel 0: 0510h, DMA Channel 1: 0520h, DMA Channel 2: 0530h)**

| REGISTER DESCRIPTION                   | REGISTER | OFFSET |
|--|----------|--------|
| DMA channel 0 control                  | DMA0CTL  | 00h    |
| DMA channel 0 source address low       | DMA0SAL  | 02h    |
| DMA channel 0 source address high      | DMA0SAH  | 04h    |
| DMA channel 0 destination address low  | DMA0DAL  | 06h    |
| DMA channel 0 destination address high | DMA0DAH  | 08h    |
| DMA channel 0 transfer size            | DMA0SZ   | 0Ah    |
| DMA channel 1 control                  | DMA1CTL  | 00h    |
| DMA channel 1 source address low       | DMA1SAL  | 02h    |
| DMA channel 1 source address high      | DMA1SAH  | 04h    |
| DMA channel 1 destination address low  | DMA1DAL  | 06h    |
| DMA channel 1 destination address high | DMA1DAH  | 08h    |
| DMA channel 1 transfer size            | DMA1SZ   | 0Ah    |
| DMA channel 2 control                  | DMA2CTL  | 00h    |
| DMA channel 2 source address low       | DMA2SAL  | 02h    |
| DMA channel 2 source address high      | DMA2SAH  | 04h    |
| DMA channel 2 destination address low  | DMA2DAL  | 06h    |
| DMA channel 2 destination address high | DMA2DAH  | 08h    |
| DMA channel 2 transfer size            | DMA2SZ   | 0Ah    |
| DMA module control 0                   | DMACTL0  | 00h    |
| DMA module control 1                   | DMACTL1  | 02h    |
| DMA module control 2                   | DMACTL2  | 04h    |
| DMA module control 3                   | DMACTL3  | 06h    |
| DMA module control 4                   | DMACTL4  | 08h    |
| DMA interrupt vector                   | DMAIV    | 0Eh    |

**Table 33. USCI\_A0 Registers (Base Address: 05C0h)**

| REGISTER DESCRIPTION       | REGISTER   | OFFSET |
|----------------------------|------------|--------|
| USCI control 1             | UCA0CTL1   | 00h    |
| USCI control 0             | UCA0CTL0   | 01h    |
| USCI baud rate 0           | UCA0BR0    | 06h    |
| USCI baud rate 1           | UCA0BR1    | 07h    |
| USCI modulation control    | UCA0MCTL   | 08h    |
| USCI status                | UCA0STAT   | 0Ah    |
| USCI receive buffer        | UCA0RXBUF  | 0Ch    |
| USCI transmit buffer       | UCA0TXBUF  | 0Eh    |
| USCI LIN control           | UCA0ABCTL  | 10h    |
| USCI IrDA transmit control | UCA0IRTCTL | 12h    |
| USCI IrDA receive control  | UCA0IRRCTL | 13h    |
| USCI interrupt enable      | UCA0IE     | 1Ch    |
| USCI interrupt flags       | UCA0IFG    | 1Dh    |
| USCI interrupt vector word | UCA0IV     | 1Eh    |

**Table 34. USCI\_B0 Registers (Base Address: 05E0h)**

| REGISTER DESCRIPTION             | REGISTER  | OFFSET |
|----------------------------------|-----------|--------|
| USCI synchronous control 1       | UCB0CTL1  | 00h    |
| USCI synchronous control 0       | UCB0CTL0  | 01h    |
| USCI synchronous bit rate 0      | UCB0BR0   | 06h    |
| USCI synchronous bit rate 1      | UCB0BR1   | 07h    |
| USCI synchronous status          | UCB0STAT  | 0Ah    |
| USCI synchronous receive buffer  | UCB0RXBUF | 0Ch    |
| USCI synchronous transmit buffer | UCB0TXBUF | 0Eh    |
| USCI I2C own address             | UCB0I2COA | 10h    |
| USCI I2C slave address           | UCB0I2CSA | 12h    |
| USCI interrupt enable            | UCB0IE    | 1Ch    |
| USCI interrupt flags             | UCB0IFG   | 1Dh    |
| USCI interrupt vector word       | UCB0IV    | 1Eh    |

**Table 35. USCI\_A1 Registers (Base Address: 0600h)**

| REGISTER DESCRIPTION       | REGISTER   | OFFSET |
|----------------------------|------------|--------|
| USCI control 1             | UCA1CTL1   | 00h    |
| USCI control 0             | UCA1CTL0   | 01h    |
| USCI baud rate 0           | UCA1BR0    | 06h    |
| USCI baud rate 1           | UCA1BR1    | 07h    |
| USCI modulation control    | UCA1MCTL   | 08h    |
| USCI status                | UCA1STAT   | 0Ah    |
| USCI receive buffer        | UCA1RXBUF  | 0Ch    |
| USCI transmit buffer       | UCA1TXBUF  | 0Eh    |
| USCI LIN control           | UCA1ABCTL  | 10h    |
| USCI IrDA transmit control | UCA1IRTCTL | 12h    |
| USCI IrDA receive control  | UCA1IRRCTL | 13h    |
| USCI interrupt enable      | UCA1IE     | 1Ch    |
| USCI interrupt flags       | UCA1IFG    | 1Dh    |
| USCI interrupt vector word | UCA1IV     | 1Eh    |

**Table 36. USCI\_B1 Registers (Base Address: 0620h)**

| REGISTER DESCRIPTION             | REGISTER  | OFFSET |
|----------------------------------|-----------|--------|
| USCI synchronous control 1       | UCB1CTL1  | 00h    |
| USCI synchronous control 0       | UCB1CTL0  | 01h    |
| USCI synchronous bit rate 0      | UCB1BR0   | 06h    |
| USCI synchronous bit rate 1      | UCB1BR1   | 07h    |
| USCI synchronous status          | UCB1STAT  | 0Ah    |
| USCI synchronous receive buffer  | UCB1RXBUF | 0Ch    |
| USCI synchronous transmit buffer | UCB1TXBUF | 0Eh    |
| USCI I2C own address             | UCB1I2COA | 10h    |
| USCI I2C slave address           | UCB1I2CSA | 12h    |
| USCI interrupt enable            | UCB1IE    | 1Ch    |
| USCI interrupt flags             | UCB1IFG   | 1Dh    |
| USCI interrupt vector word       | UCB1IV    | 1Eh    |

**Table 37. USCI\_A2 Registers (Base Address: 0640h)**

| REGISTER DESCRIPTION       | REGISTER   | OFFSET |
|----------------------------|------------|--------|
| USCI control 1             | UCA2CTL1   | 00h    |
| USCI control 0             | UCA2CTL0   | 01h    |
| USCI baud rate 0           | UCA2BR0    | 06h    |
| USCI baud rate 1           | UCA2BR1    | 07h    |
| USCI modulation control    | UCA2MCTL   | 08h    |
| USCI status                | UCA2STAT   | 0Ah    |
| USCI receive buffer        | UCA2RXBUF  | 0Ch    |
| USCI transmit buffer       | UCA2TXBUF  | 0Eh    |
| USCI LIN control           | UCA2ABCTL  | 10h    |
| USCI IrDA transmit control | UCA2IRTCTL | 12h    |
| USCI IrDA receive control  | UCA2IRRCTL | 13h    |
| USCI interrupt enable      | UCA2IE     | 1Ch    |
| USCI interrupt flags       | UCA2IFG    | 1Dh    |
| USCI interrupt vector word | UCA2IV     | 1Eh    |

**Table 38. USCI\_B2 Registers (Base Address: 0660h)**

| REGISTER DESCRIPTION             | REGISTER  | OFFSET |
|----------------------------------|-----------|--------|
| USCI synchronous control 1       | UCB2CTL1  | 00h    |
| USCI synchronous control 0       | UCB2CTL0  | 01h    |
| USCI synchronous bit rate 0      | UCB2BR0   | 06h    |
| USCI synchronous bit rate 1      | UCB2BR1   | 07h    |
| USCI synchronous status          | UCB2STAT  | 0Ah    |
| USCI synchronous receive buffer  | UCB2RXBUF | 0Ch    |
| USCI synchronous transmit buffer | UCB2TXBUF | 0Eh    |
| USCI I2C own address             | UCB2I2COA | 10h    |
| USCI I2C slave address           | UCB2I2CSA | 12h    |
| USCI interrupt enable            | UCB2IE    | 1Ch    |
| USCI interrupt flags             | UCB2IFG   | 1Dh    |
| USCI interrupt vector word       | UCB2IV    | 1Eh    |

**Table 39. USCI\_A3 Registers (Base Address: 0680h)**

| REGISTER DESCRIPTION       | REGISTER   | OFFSET |
|----------------------------|------------|--------|
| USCI control 1             | UCA3CTL1   | 00h    |
| USCI control 0             | UCA3CTL0   | 01h    |
| USCI baud rate 0           | UCA3BR0    | 06h    |
| USCI baud rate 1           | UCA3BR1    | 07h    |
| USCI modulation control    | UCA3MCTL   | 08h    |
| USCI status                | UCA3STAT   | 0Ah    |
| USCI receive buffer        | UCA3RXBUF  | 0Ch    |
| USCI transmit buffer       | UCA3TXBUF  | 0Eh    |
| USCI LIN control           | UCA3ABCTL  | 10h    |
| USCI IrDA transmit control | UCA3IRTCTL | 12h    |
| USCI IrDA receive control  | UCA3IRRCTL | 13h    |
| USCI interrupt enable      | UCA3IE     | 1Ch    |
| USCI interrupt flags       | UCA3IFG    | 1Dh    |
| USCI interrupt vector word | UCA3IV     | 1Eh    |



**Table 40. USCI\_B3 Registers (Base Address: 06A0h)**

| REGISTER DESCRIPTION             | REGISTER  | OFFSET |
|----------------------------------|-----------|--------|
| USCI synchronous control 1       | UCB3CTL1  | 00h    |
| USCI synchronous control 0       | UCB3CTL0  | 01h    |
| USCI synchronous bit rate 0      | UCB3BR0   | 06h    |
| USCI synchronous bit rate 1      | UCB3BR1   | 07h    |
| USCI synchronous status          | UCB3STAT  | 0Ah    |
| USCI synchronous receive buffer  | UCB3RXBUF | 0Ch    |
| USCI synchronous transmit buffer | UCB3TXBUF | 0Eh    |
| USCI I2C own address             | UCB3I2COA | 10h    |
| USCI I2C slave address           | UCB3I2CSA | 12h    |
| USCI interrupt enable            | UCB3IE    | 1Ch    |
| USCI interrupt flags             | UCB3IFG   | 1Dh    |
| USCI interrupt vector word       | UCB3IV    | 1Eh    |

**Table 41. ADC12\_A Registers (Base Address: 0700h)**

| REGISTER DESCRIPTION           | REGISTER    | OFFSET |
|--------------------------------|-------------|--------|
| Control register 0             | ADC12CTL0   | 00h    |
| Control register 1             | ADC12CTL1   | 02h    |
| Control register 2             | ADC12CTL2   | 04h    |
| Interrupt-flag register        | ADC12IFG    | 0Ah    |
| Interrupt-enable register      | ADC12IE     | 0Ch    |
| Interrupt-vector-word register | ADC12IV     | 0Eh    |
| ADC memory-control register 0  | ADC12MCTL0  | 10h    |
| ADC memory-control register 1  | ADC12MCTL1  | 11h    |
| ADC memory-control register 2  | ADC12MCTL2  | 12h    |
| ADC memory-control register 3  | ADC12MCTL3  | 13h    |
| ADC memory-control register 4  | ADC12MCTL4  | 14h    |
| ADC memory-control register 5  | ADC12MCTL5  | 15h    |
| ADC memory-control register 6  | ADC12MCTL6  | 16h    |
| ADC memory-control register 7  | ADC12MCTL7  | 17h    |
| ADC memory-control register 8  | ADC12MCTL8  | 18h    |
| ADC memory-control register 9  | ADC12MCTL9  | 19h    |
| ADC memory-control register 10 | ADC12MCTL10 | 1Ah    |
| ADC memory-control register 11 | ADC12MCTL11 | 1Bh    |
| ADC memory-control register 12 | ADC12MCTL12 | 1Ch    |
| ADC memory-control register 13 | ADC12MCTL13 | 1Dh    |
| ADC memory-control register 14 | ADC12MCTL14 | 1Eh    |
| ADC memory-control register 15 | ADC12MCTL15 | 1Fh    |
| Conversion memory 0            | ADC12MEM0   | 20h    |
| Conversion memory 1            | ADC12MEM1   | 22h    |
| Conversion memory 2            | ADC12MEM2   | 24h    |
| Conversion memory 3            | ADC12MEM3   | 26h    |
| Conversion memory 4            | ADC12MEM4   | 28h    |
| Conversion memory 5            | ADC12MEM5   | 2Ah    |
| Conversion memory 6            | ADC12MEM6   | 2Ch    |
| Conversion memory 7            | ADC12MEM7   | 2Eh    |
| Conversion memory 8            | ADC12MEM8   | 30h    |
| Conversion memory 9            | ADC12MEM9   | 32h    |
| Conversion memory 10           | ADC12MEM10  | 34h    |
| Conversion memory 11           | ADC12MEM11  | 36h    |
| Conversion memory 12           | ADC12MEM12  | 38h    |
| Conversion memory 13           | ADC12MEM13  | 3Ah    |
| Conversion memory 14           | ADC12MEM14  | 3Ch    |
| Conversion memory 15           | ADC12MEM15  | 3Eh    |

## Absolute Maximum Ratings<sup>(1)</sup>

over operating free-air temperature range (unless otherwise noted)

|  |                            |
|--|----------------------------|
| Voltage $V_{CC}$ applied at supply pins DVCC/AVCC to supply pins DVSS/AVSS | -0.3 V to 4.1 V            |
| Voltage applied to any pin (excluding V <sub>CORE</sub> ) <sup>(2)</sup>   | -0.3 V to $V_{CC} + 0.3$ V |
| Diode current at any device pin  | ±2 mA                      |
| Storage temperature range <sup>(3)</sup> , $T_{stg}$                       | -55°C to 105°C             |
| Maximum junction temperature, $T_J$  | 95°C                       |

- (1) Stresses beyond those listed under "absolute maximum ratings" may cause permanent damage to the device. These are stress ratings only, and functional operation of the device at these or any other conditions beyond those indicated under "recommended operating conditions" is not implied. Exposure to absolute-maximum-rated conditions for extended periods may affect device reliability.
- (2) All voltages referenced to  $V_{SS}$ . V<sub>CORE</sub> is for internal device use only. No external DC loading or voltage should be applied.
- (3) Higher temperature may be applied during board soldering according to the current JEDEC J-STD-020 specification with peak reflow temperatures not higher than classified on the device label on the shipping boxes or reels.

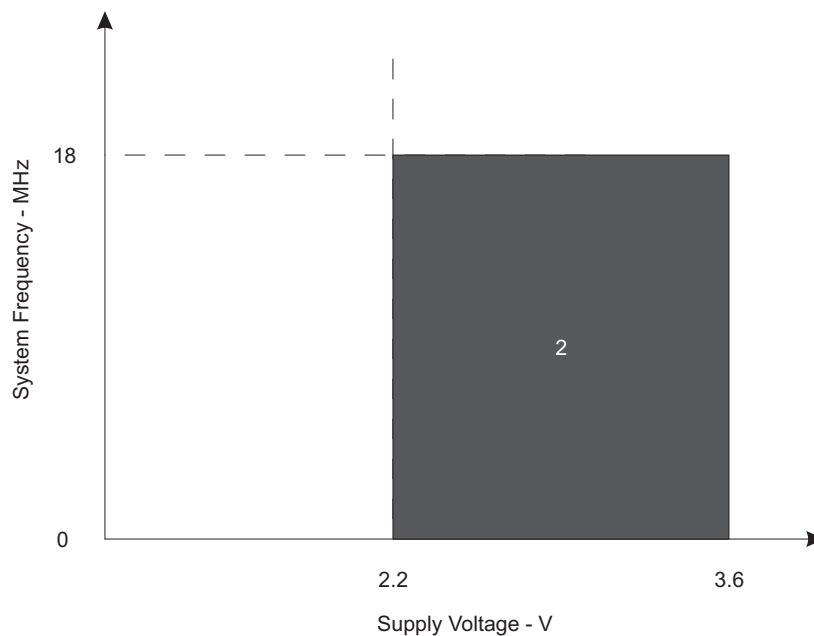
## Thermal Packaging Characteristics

|               |   |                         | VALUE    | UNIT |      |
|---------------|---|-------------------------|----------|------|------|
| $\theta_{JA}$ | Junction-to-ambient thermal resistance, still air | Low-K board (JESD51-3)  | QFP (PZ) | 50.1 | °C/W |
|               |   |                         | QFP (PN) | 57.9 |      |
|               |   | High-K board (JESD51-7) | QFP (PZ) | 40.8 |      |
|               |   |                         | QFP (PN) | 37.9 |      |
| $\theta_{JC}$ | Junction-to-case thermal resistance               | QFP (PZ)                | 8.9      | °C/W |      |
|               |   | QFP (PN)                | 10.3     |      |      |

## Recommended Operating Conditions

|                  |  |  | MIN | NOM | MAX  | UNIT |
|------------------|--|--|-----|-----|------|------|
| $V_{CC}$         | Supply voltage during program execution and flash programming ( $V_{CC} = DV_{CC1/2/3/4} = AV_{CC}$ ) <sup>(1)</sup> |  | 2.2 |     | 3.6  | V    |
| $V_{SS}$         | Supply voltage ( $V_{SS} = DV_{SS1/2/3/4} = DV_{SS} = AV_{SS}$ )   |  |     | 0   |      | V    |
| $T_A$            | Operating free-air temperature   | I version                                  | -40 |     | 85   | °C   |
| $T_J$            | Operating junction temperature   | I version                                  | -40 |     | 85   | °C   |
| CVCORE           | Recommended capacitor at V <sub>CORE</sub>   |  |     | 470 |      | nF   |
| CDVCC/<br>CVCORE | Capacitor ratio of DV <sub>CC</sub> to V <sub>CORE</sub>   |  |     | 10  |      |      |
| $f_{SYSTEM}$     | Processor frequency (maximum MCLK frequency) <sup>(2) (3)</sup> (see <a href="#">Figure 1</a> )                      | PMMCOREVx = 2,<br>2.2 V ≤ $V_{CC}$ ≤ 3.6 V | 0   |     | 18.0 | MHz  |

- (1) It is recommended to power AV<sub>CC</sub> and DV<sub>CC</sub> from the same source. A maximum difference of 0.3 V between AV<sub>CC</sub> and DV<sub>CC</sub> can be tolerated during power up and operation.
- (2) The MSP430 CPU is clocked directly with MCLK. Both the high and low phase of MCLK must not exceed the pulse width of the specified maximum frequency.
- (3) Modules may have a different maximum input clock specification. See the specification of the respective module in this data sheet.



The numbers within the fields denote the supported PMMCOREVx settings.

**Figure 1. Frequency vs Supply Voltage**

## Electrical Characteristics

### Active Mode Supply Current Into $V_{CC}$ Excluding External Current

over recommended operating free-air temperature (unless otherwise noted)<sup>(1) (2) (3)</sup>

| PARAMETER       | Execution Memory | $V_{CC}$ | PMMCOREVx | Frequency ( $f_{DCO} = f_{MCLK} = f_{SMCLK}$ ) |      |       |      |       |      |        |      | UNIT |
|-----------------|------------------|----------|-----------|--|------|-------|------|-------|------|--------|------|------|
|                 |                  |          |           | 1 MHz  |      | 4 MHz |      | 8 MHz |      | 16 MHz |      |      |
|                 |                  |          |           | TYP  | MAX  | TYP   | MAX  | TYP   | MAX  | TYP    | MAX  |      |
| $I_{AM, Flash}$ | Flash            | 3.0 V    | 2         | 0.37   | 0.45 | 1.27  | 1.47 | 2.50  | 2.84 | 5.00   | 5.56 | mA   |
| $I_{AM, RAM}$   | RAM              | 3.0 V    | 2         | 0.20   | 0.29 | 0.60  | 0.72 | 1.12  | 1.27 | 2.20   | 2.60 | mA   |

- All inputs are tied to 0 V or to  $V_{CC}$ . Outputs do not source or sink any current.
- The currents are characterized with a Micro Crystal MS1V-T1K crystal with a load capacitance of 12.5 pF. The internal and external load capacitance are chosen to closely match the required 12.5 pF.
- Characterized with program executing worst case JMP \$.  
 $f_{ACLK} = 32786$  Hz,  $f_{DCO} = f_{MCLK} = f_{SMCLK}$  at specified frequency.  
XTS = CPUOFF = SCG0 = SCG1 = OSCOFF = SMCLKOFF = 0.

### Low-Power Mode Supply Currents (Into $V_{CC}$ ) Excluding External Current

over recommended ranges of supply voltage and operating free-air temperature (unless otherwise noted)<sup>(1) (2)</sup>

| PARAMETER   | $V_{CC}$ | PMMCOREVx | -40 °C |      | 25 °C |      | 55 °C |      | 85 °C |      | UNIT    |
|---|----------|-----------|--------|------|-------|------|-------|------|-------|------|---------|
|   |          |           | TYP    | MAX  | TYP   | MAX  | TYP   | MAX  | TYP   | MAX  |         |
| $I_{LPM0, 1MHz}$ Low-power mode 0 <sup>(3)</sup><br>(4)             | 3.0 V    | 2         | 86     | 98   | 86    | 98   | 86    | 98   | 86    | 98   | $\mu$ A |
| $I_{LPM2}$ Low-power mode 2 <sup>(5)</sup><br>(4)                   | 3.0 V    | 2         | 8.0    | 15.6 | 8.0   | 15.6 | 8.0   | 15.6 | 8.0   | 15.6 | $\mu$ A |
| $I_{LPM3, XT1LF}$ Low-power mode 3, crystal mode <sup>(6) (4)</sup> | 3.0 V    | 2         | 2.3    |      | 2.6   | 3.37 | 4.5   |      | 7.9   | 15.6 | $\mu$ A |
| $I_{LPM3, VLO}$ Low-power mode 3, VLO mode <sup>(7) (4)</sup>       | 3.0 V    | 2         | 1.39   |      | 1.80  | 2.30 | 2.95  |      | 6.9   | 14.6 | $\mu$ A |
| $I_{LPM4}$ Low-power mode 4 <sup>(8)</sup><br>(4)                   | 3.0 V    | 2         | 1.26   |      | 1.69  | 2.2  | 3.6   |      | 6.8   | 14.5 | $\mu$ A |

- All inputs are tied to 0 V or to  $V_{CC}$ . Outputs do not source or sink any current.
- The currents are characterized with a Micro Crystal MS1V-T1K crystal with a load capacitance of 12.5 pF. The internal and external load capacitance are chosen to closely match the required 12.5 pF.
- Current for watchdog timer clocked by SMCLK included. ACLK = low frequency crystal operation (XTS = 0, XT1DRIVE<sub>x</sub> = 0). CPUOFF = 1, SCG0 = 0, SCG1 = 0, OSCOFF = 0 (LPM0);  $f_{ACLK} = 32768$  Hz,  $f_{MCLK} = 0$  MHz,  $f_{SMCLK} = f_{DCO} = 1$  MHz
- Current for brownout included. High and low side supervisor and monitors disabled (SVSH, SVMH, SVSL, SVM<sub>L</sub>). RAM retention enabled.
- Current for watchdog timer and RTC clocked by ACLK included. ACLK = low frequency crystal operation (XTS = 0, XT1DRIVE<sub>x</sub> = 0). CPUOFF = 1, SCG0 = 0, SCG1 = 1, OSCOFF = 0 (LPM2);  $f_{ACLK} = 32768$  Hz,  $f_{MCLK} = 0$  MHz,  $f_{SMCLK} = f_{DCO} = 0$  MHz; DCO setting = 1 MHz operation, DCO bias generator enabled.
- Current for watchdog timer and RTC clocked by ACLK included. ACLK = low frequency crystal operation (XTS = 0, XT1DRIVE<sub>x</sub> = 0). CPUOFF = 1, SCG0 = 1, SCG1 = 1, OSCOFF = 0 (LPM3);  $f_{ACLK} = 32768$  Hz,  $f_{MCLK} = f_{SMCLK} = f_{DCO} = 0$  MHz
- Current for watchdog timer and RTC clocked by ACLK included. For this condition, the VLO must be selected as the source for ACLK, MCLK, and SMCLK otherwise additional current will be drawn due to the REFO oscillator. ACLK = MCLK = SMCLK = VLO. CPUOFF = 1, SCG0 = 1, SCG1 = 1, OSCOFF = 0 (LPM3);  $f_{ACLK} = f_{VLO}$ ,  $f_{MCLK} = f_{SMCLK} = f_{VLO} = 0$  MHz
- CPUOFF = 1, SCG0 = 1, SCG1 = 1, OSCOFF = 1 (LPM4);  $f_{DCO} = f_{ACLK} = f_{MCLK} = f_{SMCLK} = 0$  MHz

### Schmitt-Trigger Inputs – General Purpose I/O<sup>(1)</sup>

over recommended ranges of supply voltage and operating free-air temperature (unless otherwise noted)

| PARAMETER         |   | TEST CONDITIONS  | V <sub>CC</sub> | MIN  | TYP | MAX  | UNIT |
|-------------------|---|--|-----------------|------|-----|------|------|
| V <sub>IT+</sub>  | Positive-going input threshold voltage                          |  | 1.8 V           | 0.80 |     | 1.40 | V    |
|                   |   |  | 3 V             | 1.50 |     | 2.10 |      |
| V <sub>IT-</sub>  | Negative-going input threshold voltage                          |  | 1.8 V           | 0.45 |     | 1.00 | V    |
|                   |   |  | 3 V             | 0.75 |     | 1.65 |      |
| V <sub>hys</sub>  | Input voltage hysteresis (V <sub>IT+</sub> – V <sub>IT-</sub> ) |  | 1.8 V           | 0.3  |     | 0.8  | V    |
|                   |   |  | 3 V             | 0.4  |     | 1.0  |      |
| R <sub>Pull</sub> | Pullup/pulldown resistor  | For pullup: V <sub>IN</sub> = V <sub>SS</sub><br>For pulldown: V <sub>IN</sub> = V <sub>CC</sub> |                 | 20   | 35  | 50   | kΩ   |
| C <sub>I</sub>    | Input capacitance   | V <sub>IN</sub> = V <sub>SS</sub> or V <sub>CC</sub>   |                 |      | 5   |      | pF   |

(1) Same parametrics apply to clock input pin when crystal bypass mode is used on XT1 (XIN) or XT2 (XT2IN).

### Inputs – Ports P1 and P2<sup>(1)</sup>

over recommended ranges of supply voltage and operating free-air temperature (unless otherwise noted)

| PARAMETER          |  | TEST CONDITIONS   | V <sub>CC</sub> | MIN | MAX | UNIT |
|--------------------|--|---|-----------------|-----|-----|------|
| t <sub>(int)</sub> | External interrupt timing <sup>(2)</sup> | Port P1, P2: P1.x to P2.x, External trigger pulse width to set interrupt flag | 2.2 V/3 V       | 20  |     | ns   |

(1) Some devices may contain additional ports with interrupts. See the block diagram and terminal function descriptions.

(2) An external signal sets the interrupt flag every time the minimum interrupt pulse width t<sub>(int)</sub> is met. It may be set by trigger signals shorter than t<sub>(int)</sub>.

### Leakage Current – General Purpose I/O

over recommended ranges of supply voltage and operating free-air temperature (unless otherwise noted)

| PARAMETER              |                                | TEST CONDITIONS               | V <sub>CC</sub> | MIN | MAX | UNIT |
|------------------------|--------------------------------|-------------------------------|-----------------|-----|-----|------|
| I <sub>lkg(Px.x)</sub> | High-impedance leakage current | <sup>(1)</sup> <sup>(2)</sup> | 1.8 V/3 V       |     | ±50 | nA   |

(1) The leakage current is measured with V<sub>SS</sub> or V<sub>CC</sub> applied to the corresponding pin(s), unless otherwise noted.

(2) The leakage of the digital port pins is measured individually. The port pin is selected for input and the pullup/pulldown resistor is disabled.

### Outputs – General Purpose I/O (Full Drive Strength)

over recommended ranges of supply voltage and operating free-air temperature (unless otherwise noted)

| PARAMETER       |                           | TEST CONDITIONS                              | V <sub>CC</sub> | MIN                    | MAX                    | UNIT |
|-----------------|---------------------------|--|-----------------|------------------------|------------------------|------|
| V <sub>OH</sub> | High-level output voltage | I <sub>(OHmax)</sub> = -3 mA <sup>(1)</sup>  | 1.8 V           | V <sub>CC</sub> - 0.25 | V <sub>CC</sub>        | V    |
|                 |                           | I <sub>(OHmax)</sub> = -10 mA <sup>(2)</sup> |                 | V <sub>CC</sub> - 0.60 | V <sub>CC</sub>        |      |
|                 |                           | I <sub>(OHmax)</sub> = -5 mA <sup>(1)</sup>  | 3 V             | V <sub>CC</sub> - 0.25 | V <sub>CC</sub>        |      |
|                 |                           | I <sub>(OHmax)</sub> = -15 mA <sup>(2)</sup> |                 | V <sub>CC</sub> - 0.60 | V <sub>CC</sub>        |      |
| V <sub>OL</sub> | Low-level output voltage  | I <sub>(OLmax)</sub> = 3 mA <sup>(1)</sup>   | 1.8 V           | V <sub>SS</sub>        | V <sub>SS</sub> + 0.25 | V    |
|                 |                           | I <sub>(OLmax)</sub> = 10 mA <sup>(2)</sup>  |                 | V <sub>SS</sub>        | V <sub>SS</sub> + 0.60 |      |
|                 |                           | I <sub>(OLmax)</sub> = 5 mA <sup>(1)</sup>   | 3 V             | V <sub>SS</sub>        | V <sub>SS</sub> + 0.25 |      |
|                 |                           | I <sub>(OLmax)</sub> = 15 mA <sup>(2)</sup>  |                 | V <sub>SS</sub>        | V <sub>SS</sub> + 0.60 |      |

- (1) The maximum total current, I<sub>(OHmax)</sub> and I<sub>(OLmax)</sub>, for all outputs combined should not exceed ±48 mA to hold the maximum voltage drop specified.
- (2) The maximum total current, I<sub>(OHmax)</sub> and I<sub>(OLmax)</sub>, for all outputs combined should not exceed ±100 mA to hold the maximum voltage drop specified.

### Outputs – General Purpose I/O (Reduced Drive Strength)

over recommended ranges of supply voltage and operating free-air temperature (unless otherwise noted)<sup>(1)</sup>

| PARAMETER       |                           | TEST CONDITIONS                             | V <sub>CC</sub> | MIN                    | MAX                    | UNIT |
|-----------------|---------------------------|---|-----------------|------------------------|------------------------|------|
| V <sub>OH</sub> | High-level output voltage | I <sub>(OHmax)</sub> = -1 mA <sup>(2)</sup> | 1.8 V           | V <sub>CC</sub> - 0.25 | V <sub>CC</sub>        | V    |
|                 |                           | I <sub>(OHmax)</sub> = -3 mA <sup>(3)</sup> |                 | V <sub>CC</sub> - 0.60 | V <sub>CC</sub>        |      |
|                 |                           | I <sub>(OHmax)</sub> = -2 mA <sup>(2)</sup> | 3.0 V           | V <sub>CC</sub> - 0.25 | V <sub>CC</sub>        |      |
|                 |                           | I <sub>(OHmax)</sub> = -6 mA <sup>(3)</sup> |                 | V <sub>CC</sub> - 0.60 | V <sub>CC</sub>        |      |
| V <sub>OL</sub> | Low-level output voltage  | I <sub>(OLmax)</sub> = 1 mA <sup>(2)</sup>  | 1.8 V           | V <sub>SS</sub>        | V <sub>SS</sub> + 0.25 | V    |
|                 |                           | I <sub>(OLmax)</sub> = 3 mA <sup>(3)</sup>  |                 | V <sub>SS</sub>        | V <sub>SS</sub> + 0.60 |      |
|                 |                           | I <sub>(OLmax)</sub> = 2 mA <sup>(2)</sup>  | 3.0 V           | V <sub>SS</sub>        | V <sub>SS</sub> + 0.25 |      |
|                 |                           | I <sub>(OLmax)</sub> = 6 mA <sup>(3)</sup>  |                 | V <sub>SS</sub>        | V <sub>SS</sub> + 0.60 |      |

- (1) Selecting reduced drive strength may reduce EMI.
- (2) The maximum total current, I<sub>(OHmax)</sub> and I<sub>(OLmax)</sub>, for all outputs combined, should not exceed ±48 mA to hold the maximum voltage drop specified.
- (3) The maximum total current, I<sub>(OHmax)</sub> and I<sub>(OLmax)</sub>, for all outputs combined, should not exceed ±100 mA to hold the maximum voltage drop specified.

### Output Frequency – General Purpose I/O

over recommended ranges of supply voltage and operating free-air temperature (unless otherwise noted)

| PARAMETER             |                                   | TEST CONDITIONS   | MIN                                    | MAX | UNIT |
|-----------------------|-----------------------------------|---|--|-----|------|
| f <sub>Px,y</sub>     | Port output frequency (with load) | P1.6/SMCLK<br>(1) (2)   | V <sub>CC</sub> = 3 V<br>PMMCOREVx = 2 | 25  | MHz  |
| f <sub>Port_CLK</sub> | Clock output frequency            | P1.0/TA0CLK/ACLK<br>P1.6/SMCLK<br>P2.0/TA1CLK/MCLK<br>C <sub>L</sub> = 20 pF <sup>(2)</sup> | V <sub>CC</sub> = 3 V<br>PMMCOREVx = 2 | 25  | MHz  |

- (1) A resistive divider with 2 × R1 between V<sub>CC</sub> and V<sub>SS</sub> is used as load. The output is connected to the center tap of the divider. For full drive strength, R1 = 550 Ω. For reduced drive strength, R1 = 1.6 kΩ. C<sub>L</sub> = 20 pF is connected to the output to V<sub>SS</sub>.
- (2) The output voltage reaches at least 10% and 90% V<sub>CC</sub> at the specified toggle frequency.

**Typical Characteristics – Outputs, Reduced Drive Strength (PxDS.y = 0)**

over recommended ranges of supply voltage and operating free-air temperature (unless otherwise noted)

**TYPICAL LOW-LEVEL OUTPUT CURRENT  
vs  
LOW-LEVEL OUTPUT VOLTAGE**

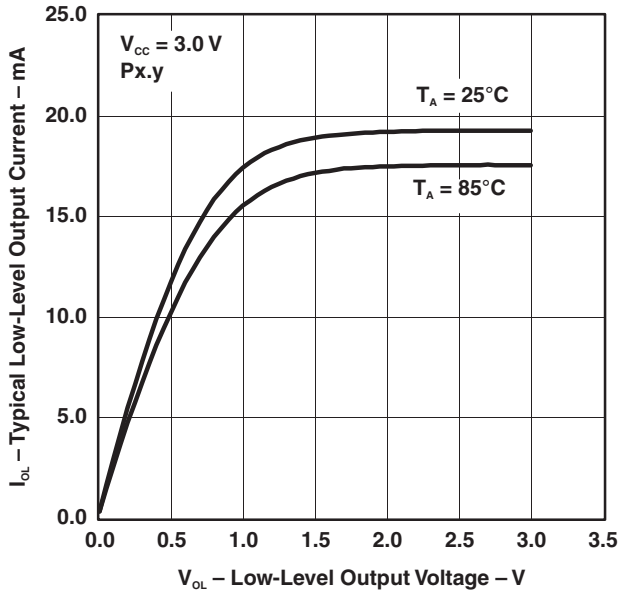


Figure 2.

**TYPICAL LOW-LEVEL OUTPUT CURRENT  
vs  
LOW-LEVEL OUTPUT VOLTAGE**

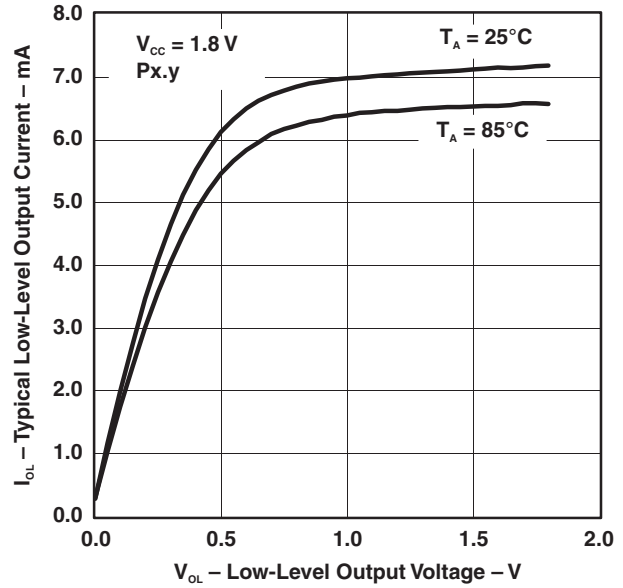


Figure 3.

**TYPICAL HIGH-LEVEL OUTPUT CURRENT  
vs  
HIGH-LEVEL OUTPUT VOLTAGE**

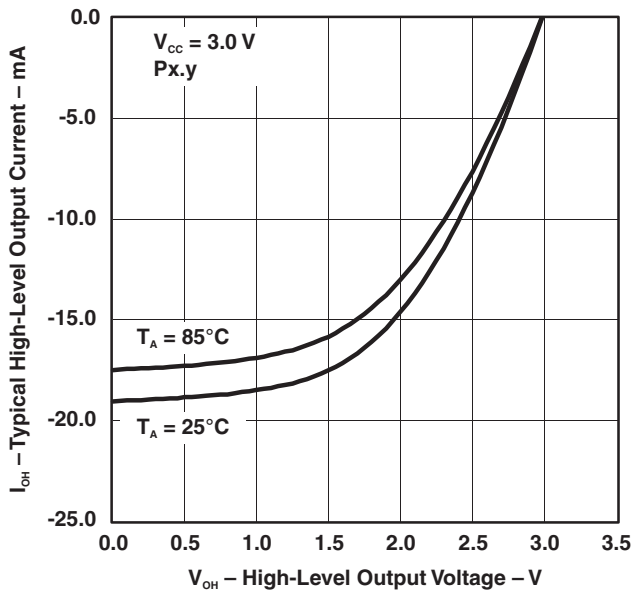


Figure 4.

**TYPICAL HIGH-LEVEL OUTPUT CURRENT  
vs  
HIGH-LEVEL OUTPUT VOLTAGE**

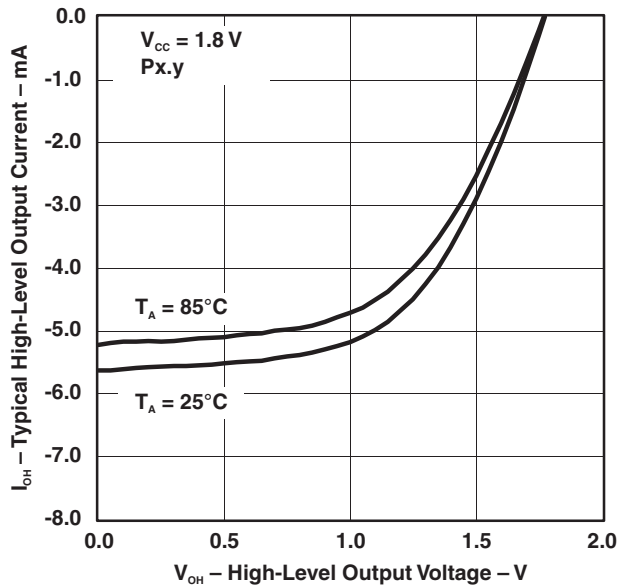


Figure 5.



**Typical Characteristics – Outputs, Full Drive Strength (PxDS.y = 1)**

over recommended ranges of supply voltage and operating free-air temperature (unless otherwise noted)

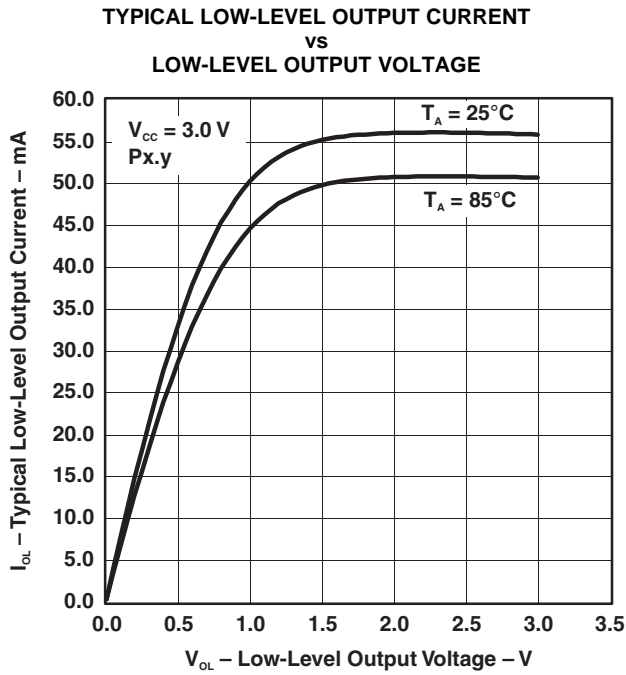


Figure 6.

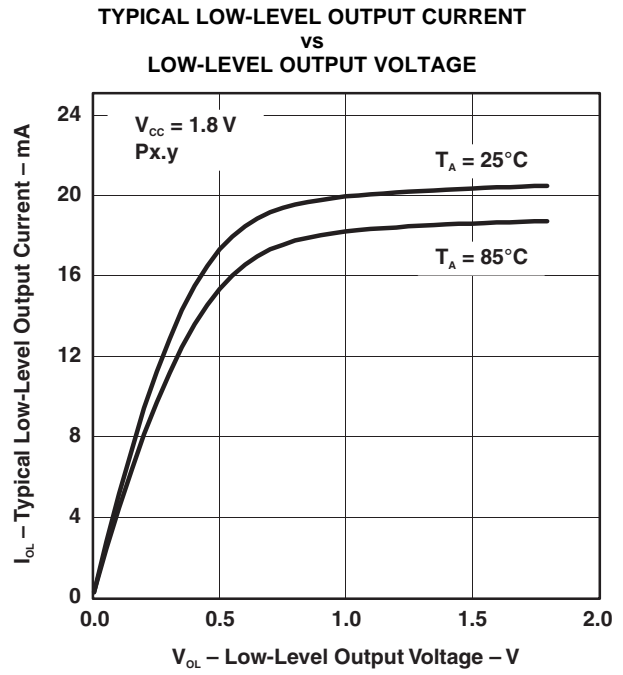


Figure 7.

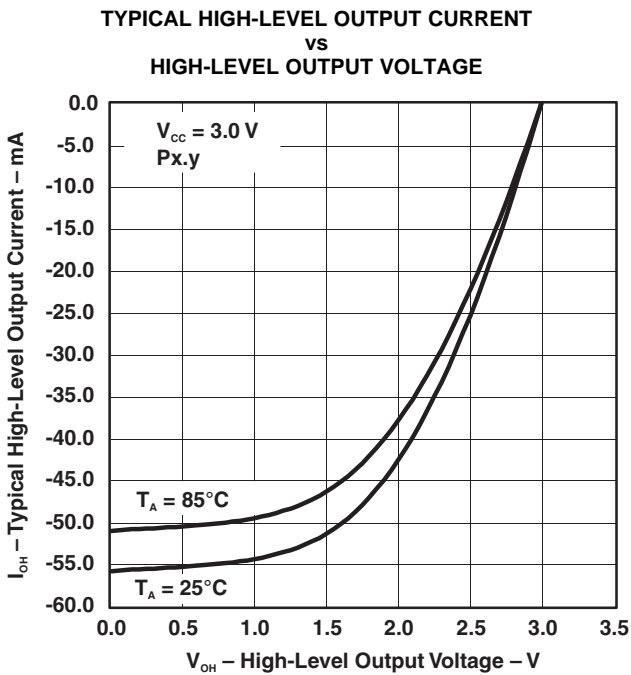


Figure 8.

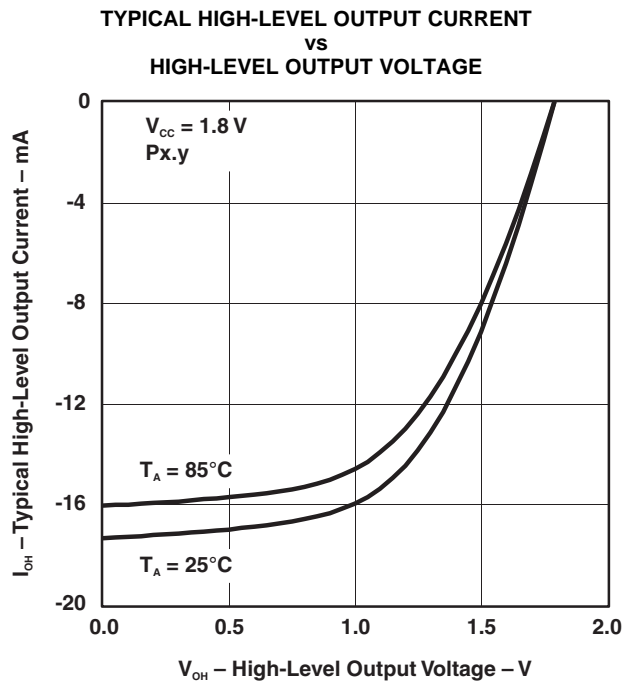


Figure 9.

## Crystal Oscillator, XT1, Low-Frequency Mode<sup>(1)</sup>

over recommended ranges of supply voltage and operating free-air temperature (unless otherwise noted)

| PARAMETER              |  | TEST CONDITIONS  | V <sub>CC</sub> | MIN | TYP    | MAX   | UNIT          |
|------------------------|--|--|-----------------|-----|--------|-------|---------------|
| $\Delta I_{D VCC, LF}$ | Differential XT1 oscillator crystal current consumption from lowest drive setting, LF mode | $f_{OSC} = 32768 \text{ Hz}$ , XTS = 0, XT1BYPASS = 0, XT1DRIVE <sub>x</sub> = 1, T <sub>A</sub> = 25°C                              | 3.0 V           |     | 0.075  |       | $\mu\text{A}$ |
|                        |  | $f_{OSC} = 32768 \text{ Hz}$ , XTS = 0, XT1BYPASS = 0, XT1DRIVE <sub>x</sub> = 2, T <sub>A</sub> = 25°C                              |                 |     | 0.170  |       |               |
|                        |  | $f_{OSC} = 32768 \text{ Hz}$ , XTS = 0, XT1BYPASS = 0, XT1DRIVE <sub>x</sub> = 3, T <sub>A</sub> = 25°C                              |                 |     | 0.290  |       |               |
| $f_{XT1, LF0}$         | XT1 oscillator crystal frequency, LF mode  | XTS = 0, XT1BYPASS = 0   |                 |     | 32768  |       | Hz            |
| $f_{XT1, LF, SW}$      | XT1 oscillator logic-level square-wave input frequency, LF mode                            | XTS = 0, XT1BYPASS = 1 <sup>(2)</sup> <sup>(3)</sup>   |                 | 10  | 32.768 | 50    | kHz           |
| $OA_{LF}$              | Oscillation allowance for LF crystals <sup>(4)</sup>                                       | XTS = 0, XT1BYPASS = 0, XT1DRIVE <sub>x</sub> = 0, $f_{XT1, LF} = 32768 \text{ Hz}$ , C <sub>L, eff</sub> = 6 pF                     |                 |     | 210    |       | k $\Omega$    |
|                        |  | XTS = 0, XT1BYPASS = 0, XT1DRIVE <sub>x</sub> = 1, $f_{XT1, LF} = 32768 \text{ Hz}$ , C <sub>L, eff</sub> = 12 pF                    |                 |     | 300    |       |               |
| $C_{L, eff}$           | Integrated effective load capacitance, LF mode <sup>(5)</sup>                              | XTS = 0, XCAP <sub>x</sub> = 0 <sup>(6)</sup>  |                 |     | 2      |       | pF            |
|                        |  | XTS = 0, XCAP <sub>x</sub> = 1   |                 |     | 5.5    |       |               |
|                        |  | XTS = 0, XCAP <sub>x</sub> = 2   |                 |     | 8.5    |       |               |
|                        |  | XTS = 0, XCAP <sub>x</sub> = 3   |                 |     | 12.0   |       |               |
| Duty cycle             | LF mode  | XTS = 0, Measured at ACLK, $f_{XT1, LF} = 32768 \text{ Hz}$  |                 | 30  |        | 70    | %             |
| $f_{Fault, LF}$        | Oscillator fault frequency, LF mode <sup>(7)</sup>   | XTS = 0 <sup>(8)</sup>   |                 | 10  |        | 10000 | Hz            |
| $t_{START, LF}$        | Startup time, LF mode  | $f_{OSC} = 32768 \text{ Hz}$ , XTS = 0, XT1BYPASS = 0, XT1DRIVE <sub>x</sub> = 0, T <sub>A</sub> = 25°C, C <sub>L, eff</sub> = 6 pF  | 3.0 V           |     | 1000   |       | ms            |
|                        |  | $f_{OSC} = 32768 \text{ Hz}$ , XTS = 0, XT1BYPASS = 0, XT1DRIVE <sub>x</sub> = 3, T <sub>A</sub> = 25°C, C <sub>L, eff</sub> = 12 pF |                 |     | 500    |       |               |

- (1) To improve EMI on the XT1 oscillator, the following guidelines should be observed.
  - (a) Keep the trace between the device and the crystal as short as possible.
  - (b) Design a good ground plane around the oscillator pins.
  - (c) Prevent crosstalk from other clock or data lines into oscillator pins XIN and XOUT.
  - (d) Avoid running PCB traces underneath or adjacent to the XIN and XOUT pins.
  - (e) Use assembly materials and praxis to avoid any parasitic load on the oscillator XIN and XOUT pins.
  - (f) If conformal coating is used, ensure that it does not induce capacitive/resistive leakage between the oscillator pins.
- (2) When XT1BYPASS is set, XT1 circuits are automatically powered down. Input signal is a digital square wave with parametrics defined in the Schmitt-trigger Inputs section of this datasheet.
- (3) Maximum frequency of operation of the entire device cannot be exceeded.
- (4) Oscillation allowance is based on a safety factor of 5 for recommended crystals. The oscillation allowance is a function of the XT1DRIVE<sub>x</sub> settings and the effective load. In general, comparable oscillator allowance can be achieved based on the following guidelines, but should be evaluated based on the actual crystal selected for the application:
  - (a) For XT1DRIVE<sub>x</sub> = 0, C<sub>L, eff</sub> ≤ 6 pF.
  - (b) For XT1DRIVE<sub>x</sub> = 1, 6 pF ≤ C<sub>L, eff</sub> ≤ 9 pF.
  - (c) For XT1DRIVE<sub>x</sub> = 2, 6 pF ≤ C<sub>L, eff</sub> ≤ 10 pF.
  - (d) For XT1DRIVE<sub>x</sub> = 3, C<sub>L, eff</sub> ≥ 6 pF.
- (5) Includes parasitic bond and package capacitance (approximately 2 pF per pin).  
Since the PCB adds additional capacitance, it is recommended to verify the correct load by measuring the ACLK frequency. For a correct setup, the effective load capacitance should always match the specification of the used crystal.
- (6) Requires external capacitors at both terminals. Values are specified by crystal manufacturers.
- (7) Frequencies below the MIN specification set the fault flag. Frequencies above the MAX specification do not set the fault flag. Frequencies in between might set the flag.
- (8) Measured with logic-level input frequency but also applies to operation with crystals.

**Crystal Oscillator, XT1, High-Frequency Mode<sup>(1)</sup>**

over recommended ranges of supply voltage and operating free-air temperature (unless otherwise noted)

| PARAMETER              |  | TEST CONDITIONS  | V <sub>CC</sub> | MIN | TYP | MAX | UNIT |
|------------------------|--|--|-----------------|-----|-----|-----|------|
| I <sub>DVCC,HF</sub>   | XT1 oscillator crystal current HF mode                                       | f <sub>OSC</sub> = 4 MHz,<br>XTS = 1, XOSCOFF = 0,<br>XT1BYPASS = 0, XT1DRIVE <sub>x</sub> = 0,<br>T <sub>A</sub> = 25°C                 | 3.0 V           |     | 200 |     | μA   |
|                        |  | f <sub>OSC</sub> = 12 MHz,<br>XTS = 1, XOSCOFF = 0,<br>XT1BYPASS = 0, XT1DRIVE <sub>x</sub> = 1,<br>T <sub>A</sub> = 25°C                |                 |     | 260 |     |      |
|                        |  | f <sub>OSC</sub> = 20 MHz,<br>XTS = 1, XOSCOFF = 0,<br>XT1BYPASS = 0, XT1DRIVE <sub>x</sub> = 2,<br>T <sub>A</sub> = 25°C                |                 |     | 325 |     |      |
|                        |  | f <sub>OSC</sub> = 32 MHz,<br>XTS = 1, XOSCOFF = 0,<br>XT1BYPASS = 0, XT1DRIVE <sub>x</sub> = 3,<br>T <sub>A</sub> = 25°C                |                 |     | 450 |     |      |
| f <sub>XT1,HF0</sub>   | XT1 oscillator crystal frequency, HF mode 0                                  | XTS = 1,<br>XT1BYPASS = 0, XT1DRIVE <sub>x</sub> = 0 <sup>(2)</sup>  |                 | 4   |     | 8   | MHz  |
| f <sub>XT1,HF1</sub>   | XT1 oscillator crystal frequency, HF mode 1                                  | XTS = 1,<br>XT1BYPASS = 0, XT1DRIVE <sub>x</sub> = 1 <sup>(2)</sup>  |                 | 8   |     | 16  | MHz  |
| f <sub>XT1,HF2</sub>   | XT1 oscillator crystal frequency, HF mode 2                                  | XTS = 1,<br>XT1BYPASS = 0, XT1DRIVE <sub>x</sub> = 2 <sup>(2)</sup>  |                 | 16  |     | 24  | MHz  |
| f <sub>XT1,HF3</sub>   | XT1 oscillator crystal frequency, HF mode 3                                  | XTS = 1,<br>XT1BYPASS = 0, XT1DRIVE <sub>x</sub> = 3 <sup>(2)</sup>  |                 | 24  |     | 32  | MHz  |
| f <sub>XT1,HF,SW</sub> | XT1 oscillator logic-level square-wave input frequency, HF mode, bypass mode | XTS = 1,<br>XT1BYPASS = 1 <sup>(3)</sup> <sup>(2)</sup>  |                 | 1.5 |     | 32  | MHz  |
| O <sub>AHF</sub>       | Oscillation allowance for HF crystals <sup>(4)</sup>                         | XTS = 1,<br>XT1BYPASS = 0, XT1DRIVE <sub>x</sub> = 0,<br>f <sub>XT1,HF</sub> = 6 MHz, C <sub>L,eff</sub> = 15 pF                         |                 |     | 450 |     | Ω    |
|                        |  | XTS = 1,<br>XT1BYPASS = 0, XT1DRIVE <sub>x</sub> = 1,<br>f <sub>XT1,HF</sub> = 12 MHz, C <sub>L,eff</sub> = 15 pF                        |                 |     | 320 |     |      |
|                        |  | XTS = 1,<br>XT1BYPASS = 0, XT1DRIVE <sub>x</sub> = 2,<br>f <sub>XT1,HF</sub> = 20 MHz, C <sub>L,eff</sub> = 15 pF                        |                 |     | 200 |     |      |
|                        |  | XTS = 1,<br>XT1BYPASS = 0, XT1DRIVE <sub>x</sub> = 3,<br>f <sub>XT1,HF</sub> = 32 MHz, C <sub>L,eff</sub> = 15 pF                        |                 |     | 200 |     |      |
| t <sub>START,HF</sub>  | Startup time, HF mode  | f <sub>OSC</sub> = 6 MHz, XTS = 1,<br>XT1BYPASS = 0, XT1DRIVE <sub>x</sub> = 0,<br>T <sub>A</sub> = 25°C,<br>C <sub>L,eff</sub> = 15 pF  | 3.0 V           |     | 0.5 |     | ms   |
|                        |  | f <sub>OSC</sub> = 20 MHz, XTS = 1,<br>XT1BYPASS = 0, XT1DRIVE <sub>x</sub> = 2,<br>T <sub>A</sub> = 25°C,<br>C <sub>L,eff</sub> = 15 pF |                 |     |     | 0.3 |      |

- (1) To improve EMI on the XT1 oscillator the following guidelines should be observed.
  - (a) Keep the traces between the device and the crystal as short as possible.
  - (b) Design a good ground plane around the oscillator pins.
  - (c) Prevent crosstalk from other clock or data lines into oscillator pins XIN and XOUT.
  - (d) Avoid running PCB traces underneath or adjacent to the XIN and XOUT pins.
  - (e) Use assembly materials and praxis to avoid any parasitic load on the oscillator XIN and XOUT pins.
  - (f) If conformal coating is used, ensure that it does not induce capacitive/resistive leakage between the oscillator pins.
- (2) This represents the maximum frequency that can be input to the device externally. Maximum frequency achievable on the device operation is based on the frequencies present on ACLK, MCLK, and SMCLK cannot be exceed for a given range of operation.
- (3) When XT1BYPASS is set, XT1 circuits are automatically powered down. Input signal is a digital square wave with parametrics defined in the Schmitt-trigger Inputs section of this datasheet.
- (4) Oscillation allowance is based on a safety factor of 5 for recommended crystals.

## Crystal Oscillator, XT1, High-Frequency Mode <sup>(1)</sup> (continued)

over recommended ranges of supply voltage and operating free-air temperature (unless otherwise noted)

| PARAMETER             |   | TEST CONDITIONS   | V <sub>CC</sub> | MIN | TYP | MAX | UNIT |
|-----------------------|---|---|-----------------|-----|-----|-----|------|
| C <sub>L,eff</sub>    | Integrated effective load capacitance, HF mode <sup>(5)</sup> (6) | XTS = 1   |                 |     | 1   |     | pF   |
| Duty cycle            | HF mode   | XTS = 1, Measured at ACLK,<br>f <sub>XT1,HF2</sub> = 20 MHz |                 | 40  | 50  | 60  | %    |
| f <sub>Fault,HF</sub> | Oscillator fault frequency, HF mode <sup>(7)</sup>                | XTS = 1 <sup>(8)</sup>                                      |                 | 30  |     | 300 | kHz  |

(5) Includes parasitic bond and package capacitance (approximately 2 pF per pin).

Since the PCB adds additional capacitance, it is recommended to verify the correct load by measuring the ACLK frequency. For a correct setup, the effective load capacitance should always match the specification of the used crystal.

(6) Requires external capacitors at both terminals. Values are specified by crystal manufacturers.

(7) Frequencies below the MIN specification set the fault flag. Frequencies above the MAX specification do not set the fault flag. Frequencies in-between might set the flag.

(8) Measured with logic-level input frequency but also applies to operation with crystals.

## Crystal Oscillator, XT2

over recommended ranges of supply voltage and operating free-air temperature (unless otherwise noted)<sup>(1)</sup> (2)

| PARAMETER              |   | TEST CONDITIONS  | V <sub>CC</sub> | MIN | TYP | MAX | UNIT |
|------------------------|---|--|-----------------|-----|-----|-----|------|
| I <sub>DVCC,XT2</sub>  | XT2 oscillator crystal current consumption                          | f <sub>OSC</sub> = 4 MHz, XT2OFF = 0,<br>XT2BYPASS = 0, XT2DRIVE <sub>x</sub> = 0,<br>T <sub>A</sub> = 25°C  | 3.0 V           |     | 200 |     | μA   |
|                        |   | f <sub>OSC</sub> = 12 MHz, XT2OFF = 0,<br>XT2BYPASS = 0, XT2DRIVE <sub>x</sub> = 1,<br>T <sub>A</sub> = 25°C |                 |     | 260 |     |      |
|                        |   | f <sub>OSC</sub> = 20 MHz, XT2OFF = 0,<br>XT2BYPASS = 0, XT2DRIVE <sub>x</sub> = 2,<br>T <sub>A</sub> = 25°C |                 |     | 325 |     |      |
|                        |   | f <sub>OSC</sub> = 32 MHz, XT2OFF = 0,<br>XT2BYPASS = 0, XT2DRIVE <sub>x</sub> = 3,<br>T <sub>A</sub> = 25°C |                 |     | 450 |     |      |
| f <sub>XT2,HF0</sub>   | XT2 oscillator crystal frequency, mode 0                            | XT2DRIVE <sub>x</sub> = 0, XT2BYPASS = 0 <sup>(3)</sup>  |                 | 4   |     | 8   | MHz  |
| f <sub>XT2,HF1</sub>   | XT2 oscillator crystal frequency, mode 1                            | XT2DRIVE <sub>x</sub> = 1, XT2BYPASS = 0 <sup>(3)</sup>  |                 | 8   |     | 16  | MHz  |
| f <sub>XT2,HF2</sub>   | XT2 oscillator crystal frequency, mode 2                            | XT2DRIVE <sub>x</sub> = 2, XT2BYPASS = 0 <sup>(3)</sup>  |                 | 16  |     | 24  | MHz  |
| f <sub>XT2,HF3</sub>   | XT2 oscillator crystal frequency, mode 3                            | XT2DRIVE <sub>x</sub> = 3, XT2BYPASS = 0 <sup>(3)</sup>  |                 | 24  |     | 32  | MHz  |
| f <sub>XT2,HF,SW</sub> | XT2 oscillator logic-level square-wave input frequency, bypass mode | XT2BYPASS = 1 <sup>(4)</sup> (3)   |                 | 1.5 |     | 32  | MHz  |

(1) Requires external capacitors at both terminals. Values are specified by crystal manufacturers.

(2) To improve EMI on the XT2 oscillator the following guidelines should be observed.

(a) Keep the traces between the device and the crystal as short as possible.

(b) Design a good ground plane around the oscillator pins.

(c) Prevent crosstalk from other clock or data lines into oscillator pins XT2IN and XT2OUT.

(d) Avoid running PCB traces underneath or adjacent to the XT2IN and XT2OUT pins.

(e) Use assembly materials and praxis to avoid any parasitic load on the oscillator XT2IN and XT2OUT pins.

(f) If conformal coating is used, ensure that it does not induce capacitive/resistive leakage between the oscillator pins.

(3) This represents the maximum frequency that can be input to the device externally. Maximum frequency achievable on the device operation is based on the frequencies present on ACLK, MCLK, and SMCLK cannot be exceeded for a given range of operation.

(4) When XT2BYPASS is set, the XT2 circuit is automatically powered down. Input signal is a digital square wave with parametrics defined in the Schmitt-trigger Inputs section of this datasheet.

## Crystal Oscillator, XT2 (continued)

 over recommended ranges of supply voltage and operating free-air temperature (unless otherwise noted) <sup>(1)</sup> <sup>(2)</sup>

| PARAMETER   | TEST CONDITIONS  | V <sub>CC</sub> | MIN | TYP | MAX | UNIT |
|---|--|-----------------|-----|-----|-----|------|
| O <sub>AHF</sub> Oscillation allowance for HF crystals <sup>(5)</sup>                           | XT2DRIVE <sub>x</sub> = 0, XT2BYPASS = 0, f <sub>XT2,HF0</sub> = 6 MHz, C <sub>L,eff</sub> = 15 pF                             | 3.0 V           |     | 450 |     | Ω    |
|   | XT2DRIVE <sub>x</sub> = 1, XT2BYPASS = 0, f <sub>XT2,HF1</sub> = 12 MHz, C <sub>L,eff</sub> = 15 pF                            |                 |     | 320 |     |      |
|   | XT2DRIVE <sub>x</sub> = 2, XT2BYPASS = 0, f <sub>XT2,HF2</sub> = 20 MHz, C <sub>L,eff</sub> = 15 pF                            |                 |     | 200 |     |      |
|   | XT2DRIVE <sub>x</sub> = 3, XT2BYPASS = 0, f <sub>XT2,HF3</sub> = 32 MHz, C <sub>L,eff</sub> = 15 pF                            |                 |     | 200 |     |      |
| t <sub>START,HF</sub> Startup time  | f <sub>OSC</sub> = 6 MHz<br>XT2BYPASS = 0, XT2DRIVE <sub>x</sub> = 0,<br>T <sub>A</sub> = 25°C,<br>C <sub>L,eff</sub> = 15 pF  | 3.0 V           |     | 0.5 |     | ms   |
|   | f <sub>OSC</sub> = 20 MHz<br>XT2BYPASS = 0, XT2DRIVE <sub>x</sub> = 2,<br>T <sub>A</sub> = 25°C,<br>C <sub>L,eff</sub> = 15 pF |                 |     | 0.3 |     |      |
| C <sub>L,eff</sub> Integrated effective load capacitance, HF mode <sup>(6)</sup> <sup>(1)</sup> |  |                 |     | 1   |     | pF   |
| Duty cycle  | Measured at ACLK, f <sub>XT2,HF2</sub> = 20 MHz  |                 | 40  | 50  | 60  | %    |
| f <sub>Fault,HF</sub> Oscillator fault frequency <sup>(7)</sup>                                 | XT2BYPASS = 1 <sup>(8)</sup>   |                 | 30  |     | 300 | kHz  |

(5) Oscillation allowance is based on a safety factor of 5 for recommended crystals.

(6) Includes parasitic bond and package capacitance (approximately 2 pF per pin).

Since the PCB adds additional capacitance, it is recommended to verify the correct load by measuring the ACLK frequency. For a correct setup, the effective load capacitance should always match the specification of the used crystal.

(7) Frequencies below the MIN specification set the fault flag. Frequencies above the MAX specification do not set the fault flag. Frequencies in between might set the flag.

(8) Measured with logic-level input frequency but also applies to operation with crystals.

## Internal Very-Low-Power Low-Frequency Oscillator (VLO)

over recommended ranges of supply voltage and operating free-air temperature (unless otherwise noted)

| PARAMETER  | TEST CONDITIONS                 | V <sub>CC</sub> | MIN | TYP | MAX | UNIT |
|--|---------------------------------|-----------------|-----|-----|-----|------|
| f <sub>VLO</sub> VLO frequency   | Measured at ACLK                | 1.8 V to 3.6 V  | 6   | 9.4 | 14  | kHz  |
| df <sub>VLO</sub> /dT VLO frequency temperature drift                  | Measured at ACLK <sup>(1)</sup> | 1.8 V to 3.6 V  |     | 0.5 |     | %/°C |
| df <sub>VLO</sub> /dV <sub>CC</sub> VLO frequency supply voltage drift | Measured at ACLK <sup>(2)</sup> | 1.8 V to 3.6 V  |     | 4   |     | %/V  |
| Duty cycle   | Measured at ACLK                | 1.8 V to 3.6 V  | 40  | 50  | 60  | %    |

(1) Calculated using the box method: (MAX(-40 to 85°C) – MIN(-40 to 85°C)) / MIN(-40 to 85°C) / (85°C – (-40°C))

(2) Calculated using the box method: (MAX(1.8 to 3.6 V) – MIN(1.8 to 3.6 V)) / MIN(1.8 to 3.6 V) / (3.6 V – 1.8 V)

## Internal Reference, Low-Frequency Oscillator (REFO)

over recommended ranges of supply voltage and operating free-air temperature (unless otherwise noted)

| PARAMETER  | TEST CONDITIONS                 | V <sub>CC</sub> | MIN | TYP   | MAX  | UNIT |
|--|---------------------------------|-----------------|-----|-------|------|------|
| I <sub>REFO</sub> REFO oscillator current consumption                    | T <sub>A</sub> = 25°C           | 1.8 V to 3.6 V  |     | 3     |      | μA   |
| f <sub>REFO</sub> REFO frequency calibrated                              | Measured at ACLK                | 1.8 V to 3.6 V  |     | 32768 |      | Hz   |
| REFO absolute tolerance calibrated                                       | Full temperature range          | 1.8 V to 3.6 V  |     |       | ±3.5 | %    |
|  | T <sub>A</sub> = 25°C           | 3 V             |     |       | ±1.5 |      |
| df <sub>REFO</sub> /dT REFO frequency temperature drift                  | Measured at ACLK <sup>(1)</sup> | 1.8 V to 3.6 V  |     | 0.01  |      | %/°C |
| df <sub>REFO</sub> /dV <sub>CC</sub> REFO frequency supply voltage drift | Measured at ACLK <sup>(2)</sup> | 1.8 V to 3.6 V  |     | 1.0   |      | %/V  |
| Duty cycle   | Measured at ACLK                | 1.8 V to 3.6 V  | 40  | 50    | 60   | %    |
| t <sub>START</sub> REFO startup time                                     | 40%/60% duty cycle              | 1.8 V to 3.6 V  |     | 25    |      | μs   |

(1) Calculated using the box method: (MAX(-40 to 85°C) – MIN(-40 to 85°C)) / MIN(-40 to 85°C) / (85°C – (-40°C))

(2) Calculated using the box method: (MAX(1.8 to 3.6 V) – MIN(1.8 to 3.6 V)) / MIN(1.8 to 3.6 V) / (3.6 V – 1.8 V)

### DCO Frequency

over recommended ranges of supply voltage and operating free-air temperature (unless otherwise noted)

| PARAMETER          | TEST CONDITIONS                                      | MIN  | TYP  | MAX  | UNIT  |      |
|--------------------|--|--|------|------|-------|------|
| $f_{DCO(0,0)}$     | DCO frequency (0, 0)                                 | DCORSELx = 0, DCOx = 0, MODx = 0                           | 0.07 | 0.20 | MHz   |      |
| $f_{DCO(0,31)}$    | DCO frequency (0, 31)                                | DCORSELx = 0, DCOx = 31, MODx = 0                          | 0.70 | 1.70 | MHz   |      |
| $f_{DCO(1,0)}$     | DCO frequency (1, 0)                                 | DCORSELx = 1, DCOx = 0, MODx = 0                           | 0.15 | 0.36 | MHz   |      |
| $f_{DCO(1,31)}$    | DCO frequency (1, 31)                                | DCORSELx = 1, DCOx = 31, MODx = 0                          | 1.47 | 3.45 | MHz   |      |
| $f_{DCO(2,0)}$     | DCO frequency (2, 0)                                 | DCORSELx = 2, DCOx = 0, MODx = 0                           | 0.32 | 0.75 | MHz   |      |
| $f_{DCO(2,31)}$    | DCO frequency (2, 31)                                | DCORSELx = 2, DCOx = 31, MODx = 0                          | 3.17 | 7.38 | MHz   |      |
| $f_{DCO(3,0)}$     | DCO frequency (3, 0)                                 | DCORSELx = 3, DCOx = 0, MODx = 0                           | 0.64 | 1.51 | MHz   |      |
| $f_{DCO(3,31)}$    | DCO frequency (3, 31)                                | DCORSELx = 3, DCOx = 31, MODx = 0                          | 6.07 | 14.0 | MHz   |      |
| $f_{DCO(4,0)}$     | DCO frequency (4, 0)                                 | DCORSELx = 4, DCOx = 0, MODx = 0                           | 1.3  | 3.2  | MHz   |      |
| $f_{DCO(4,31)}$    | DCO frequency (4, 31)                                | DCORSELx = 4, DCOx = 31, MODx = 0                          | 12.3 | 28.2 | MHz   |      |
| $f_{DCO(5,0)}$     | DCO frequency (5, 0)                                 | DCORSELx = 5, DCOx = 0, MODx = 0                           | 2.5  | 6.0  | MHz   |      |
| $f_{DCO(5,31)}$    | DCO frequency (5, 31)                                | DCORSELx = 5, DCOx = 31, MODx = 0                          | 23.7 | 54.1 | MHz   |      |
| $f_{DCO(6,0)}$     | DCO frequency (6, 0)                                 | DCORSELx = 6, DCOx = 0, MODx = 0                           | 4.6  | 10.7 | MHz   |      |
| $f_{DCO(6,31)}$    | DCO frequency (6, 31)                                | DCORSELx = 6, DCOx = 31, MODx = 0                          | 39.0 | 88.0 | MHz   |      |
| $f_{DCO(7,0)}$     | DCO frequency (7, 0)                                 | DCORSELx = 7, DCOx = 0, MODx = 0                           | 8.5  | 19.6 | MHz   |      |
| $f_{DCO(7,31)}$    | DCO frequency (7, 31)                                | DCORSELx = 7, DCOx = 31, MODx = 0                          | 60   | 135  | MHz   |      |
| $S_{DCORSEL}$      | Frequency step between range DCORSEL and DCORSEL + 1 | $S_{RSEL} = f_{DCO(DCORSEL+1,DCO)} / f_{DCO(DCORSEL,DCO)}$ | 1.2  | 2.3  | ratio |      |
| $S_{DCO}$          | Frequency step between tap DCO and DCO + 1           | $S_{DCO} = f_{DCO(DCORSEL,DCO+1)} / f_{DCO(DCORSEL,DCO)}$  | 1.02 | 1.12 | ratio |      |
| Duty cycle         |  | Measured at SMCLK  | 40   | 50   | 60    | %    |
| $df_{DCO}/dT$      | DCO frequency temperature drift                      | $f_{DCO} = 1$ MHz,   |      | 0.1  |       | %/°C |
| $df_{DCO}/dV_{CC}$ | DCO frequency voltage drift                          | $f_{DCO} = 1$ MHz  |      | 1.9  |       | %/V  |

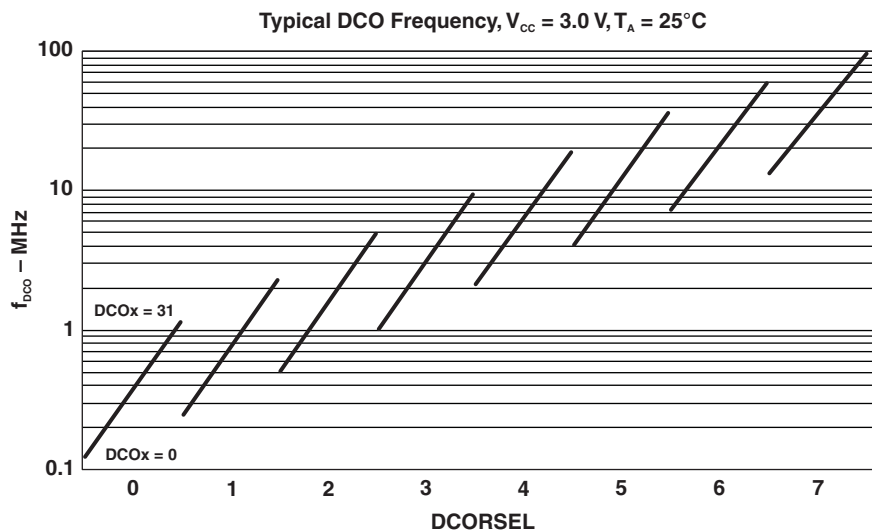


Figure 10. Typical DCO frequency

## PMM, Brown-Out Reset (BOR)

over recommended ranges of supply voltage and operating free-air temperature (unless otherwise noted)

| PARAMETER                     |  | TEST CONDITIONS                   | MIN  | TYP  | MAX  | UNIT |
|-------------------------------|--|-----------------------------------|------|------|------|------|
| V(DV <sub>CC</sub> _BOR_IT-)  | BOR <sub>H</sub> on voltage, DV <sub>CC</sub> falling level  | dDV <sub>CC</sub> /dt   < 3 V/s   |      |      | 1.55 | V    |
| V(DV <sub>CC</sub> _BOR_IT+)  | BOR <sub>H</sub> off voltage, DV <sub>CC</sub> rising level  | dDV <sub>CC</sub> /dt   < 3 V/s   | 0.80 | 1.30 | 1.65 | V    |
| V(DV <sub>CC</sub> _BOR_hys)  | BOR <sub>H</sub> hysteresis                                  |                                   | 100  |      | 250  | mV   |
| V(V <sub>CORE</sub> _BOR_IT-) | BOR <sub>L</sub> on voltage, V <sub>CORE</sub> falling level | DV <sub>CC</sub> = 1.8 V to 3.6 V | 0.69 |      | 0.83 | V    |
| V(V <sub>CORE</sub> _BOR_IT+) | BOR <sub>L</sub> off voltage, V <sub>CORE</sub> rising level | DV <sub>CC</sub> = 1.8 V to 3.6 V | 0.83 |      | 1.05 | V    |
| V(V <sub>CORE</sub> _BOR_hys) | BOR <sub>L</sub> hysteresis                                  |                                   | 70   |      | 200  | mV   |
| t <sub>RESET</sub>            | Pulse length required at RST/NMI pin to accept a reset       |                                   | 2    |      |      | µs   |

## PMM, Core Voltage

over recommended ranges of supply voltage and operating free-air temperature (unless otherwise noted)

| PARAMETER                |  | TEST CONDITIONS   | MIN  | TYP  | MAX  | UNIT |
|--------------------------|--|---|------|------|------|------|
| V <sub>CORE2</sub> (AM)  | Core voltage, active mode, PMMCOREV = 2        | 2.2 V ≤ DV <sub>CC</sub> ≤ 3.6 V, 0 mA ≤ I(V <sub>CORE</sub> ) ≤ 21 mA      | 1.60 | 1.81 | 1.89 | V    |
| V <sub>CORE2</sub> (LPM) | Core voltage, low-current mode, PMMCOREV = 2   | 2.2 V ≤ DV <sub>CC</sub> ≤ 3.6 V, 0 µA ≤ I(V <sub>CORE</sub> ) ≤ 30 µA      | 1.68 | 1.89 | 1.98 | V    |
| PSRR(DC,AM)              | Power-supply rejection ratio, active mode      | DV <sub>CC</sub> = 2.2 V/3.6 V, I(V <sub>CORE</sub> ) = 0 mA, PMMCOREV = 2  |      | 60   |      | dB   |
|                          |  | DV <sub>CC</sub> = 2.2 V/3.6 V, I(V <sub>CORE</sub> ) = 21 mA, PMMCOREV = 2 |      | 60   |      |      |
| PSRR(DC,LPM)             | Power-supply rejection ratio, low-current mode | DV <sub>CC</sub> = 2.2 V/3.6 V, I(V <sub>CORE</sub> ) = 0 mA, PMMCOREV = 2  |      | 50   |      | dB   |
|                          |  | DV <sub>CC</sub> = 2.4 V/3.6 V, I(V <sub>CORE</sub> ) = 30 µA, PMMCOREV = 2 |      | 50   |      |      |

## PMM, SVS High Side

over recommended ranges of supply voltage and operating free-air temperature (unless otherwise noted)

| PARAMETER         |                                    | TEST CONDITIONS   | MIN  | TYP  | MAX  | UNIT          |
|-------------------|------------------------------------|---|------|------|------|---------------|
| $I_{(SVSH)}$      | SVS current consumption            | SVSHE = 0, $DV_{CC} = 3.6\text{ V}$   |      | 0    |      | nA            |
|                   |                                    | SVSHE = 1, $DV_{CC} = 3.6\text{ V}$ , SVSHFP = 0                                  |      | 200  |      | nA            |
|                   |                                    | SVSHE = 1, $DV_{CC} = 3.6\text{ V}$ , SVSHFP = 1                                  |      | 2.0  |      | $\mu\text{A}$ |
| $V_{(SVSH\_IT-)}$ | SVS <sub>H</sub> on voltage level  | SVSHE = 1, SVSHRVL = 0  | 1.59 | 1.64 | 1.69 | V             |
|                   |                                    | SVSHE = 1, SVSHRVL = 1  | 1.79 | 1.84 | 1.91 |               |
|                   |                                    | SVSHE = 1, SVSHRVL = 2  | 1.98 | 2.04 | 2.11 |               |
|                   |                                    | SVSHE = 1, SVSHRVL = 3  | 2.10 | 2.16 | 2.23 |               |
| $V_{(SVSH\_IT+)}$ | SVS <sub>H</sub> off voltage level | SVSHE = 1, SVSMHRRRL = 0  | 1.62 | 1.74 | 1.81 | V             |
|                   |                                    | SVSHE = 1, SVSMHRRRL = 1  | 1.88 | 1.94 | 2.01 |               |
|                   |                                    | SVSHE = 1, SVSMHRRRL = 2  | 2.07 | 2.14 | 2.21 |               |
|                   |                                    | SVSHE = 1, SVSMHRRRL = 3  | 2.20 | 2.26 | 2.33 |               |
|                   |                                    | SVSHE = 1, SVSMHRRRL = 4  |      | 2.40 |      |               |
|                   |                                    | SVSHE = 1, SVSMHRRRL = 5  |      | 2.70 |      |               |
|                   |                                    | SVSHE = 1, SVSMHRRRL = 6  |      | 3.00 |      |               |
|                   |                                    | SVSHE = 1, SVSMHRRRL = 7  |      | 3.00 |      |               |
| $t_{pd(SVSH)}$    | SVS <sub>H</sub> propagation delay | SVSHE = 1, $dV_{DVCC}/dt = 10\text{ mV}/\mu\text{s}$ , SVSHFP = 1                 |      | 2.5  |      | $\mu\text{s}$ |
|                   |                                    | SVSHE = 1, $dV_{DVCC}/dt = 1\text{ mV}/\mu\text{s}$ , SVSHFP = 0                  |      | 20   |      |               |
| $t_{(SVSH)}$      | SVS <sub>H</sub> on/off delay time | SVSHE = 0 $\rightarrow$ 1, $dV_{DVCC}/dt = 10\text{ mV}/\mu\text{s}$ , SVSHFP = 1 |      | 12.5 |      | $\mu\text{s}$ |
|                   |                                    | SVSHE = 0 $\rightarrow$ 1, $dV_{DVCC}/dt = 1\text{ mV}/\mu\text{s}$ , SVSHFP = 0  |      | 100  |      |               |
| $dV_{DVCC}/dt$    | $DV_{CC}$ rise time                |   | 0    |      | 1000 | V/s           |

## PMM, SVM High Side

over recommended ranges of supply voltage and operating free-air temperature (unless otherwise noted)

| PARAMETER      |                                       | TEST CONDITIONS   | MIN  | TYP  | MAX  | UNIT          |
|----------------|---------------------------------------|---|------|------|------|---------------|
| $I_{(SVMH)}$   | SVM <sub>H</sub> current consumption  | SVMHE = 0, $DV_{CC} = 3.6\text{ V}$   |      | 0    |      | nA            |
|                |                                       | SVMHE = 1, $DV_{CC} = 3.6\text{ V}$ , SVMHFP = 0                                  |      | 200  |      | nA            |
|                |                                       | SVMHE = 1, $DV_{CC} = 3.6\text{ V}$ , SVMHFP = 1                                  |      | 2.0  |      | $\mu\text{A}$ |
| $V_{(SVMH)}$   | SVM <sub>H</sub> on/off voltage level | SVMHE = 1, SVSMHRRRL = 0  | 1.65 | 1.74 | 1.86 | V             |
|                |                                       | SVMHE = 1, SVSMHRRRL = 1  | 1.85 | 1.94 | 2.02 |               |
|                |                                       | SVMHE = 1, SVSMHRRRL = 2  | 2.02 | 2.14 | 2.22 |               |
|                |                                       | SVMHE = 1, SVSMHRRRL = 3  | 2.18 | 2.26 | 2.35 |               |
|                |                                       | SVMHE = 1, SVSMHRRRL = 4  |      | 2.40 |      |               |
|                |                                       | SVMHE = 1, SVSMHRRRL = 5  |      | 2.70 |      |               |
|                |                                       | SVMHE = 1, SVSMHRRRL = 6  |      | 3.00 |      |               |
|                |                                       | SVMHE = 1, SVSMHRRRL = 7  |      | 3.00 |      |               |
|                |                                       | SVMHE = 1, SVMHOVPE = 1   |      | 3.75 |      |               |
| $t_{pd(SVMH)}$ | SVM <sub>H</sub> propagation delay    | SVMHE = 1, $dV_{DVCC}/dt = 10\text{ mV}/\mu\text{s}$ , SVMHFP = 1                 |      | 2.5  |      | $\mu\text{s}$ |
|                |                                       | SVMHE = 1, $dV_{DVCC}/dt = 1\text{ mV}/\mu\text{s}$ , SVMHFP = 0                  |      | 20   |      |               |
| $t_{(SVMH)}$   | SVM <sub>H</sub> on/off delay time    | SVMHE = 0 $\rightarrow$ 1, $dV_{DVCC}/dt = 10\text{ mV}/\mu\text{s}$ , SVMHFP = 1 |      | 12.5 |      | $\mu\text{s}$ |
|                |                                       | SVMHE = 0 $\rightarrow$ 1, $dV_{DVCC}/dt = 1\text{ mV}/\mu\text{s}$ , SVMHFP = 0  |      | 100  |      |               |



### PMM, SVS Low Side

over recommended ranges of supply voltage and operating free-air temperature (unless otherwise noted)

| PARAMETER         |                                      | TEST CONDITIONS  | MIN  | TYP  | MAX  | UNIT |
|-------------------|--------------------------------------|--|------|------|------|------|
| $I_{(SVSL)}$      | SVS <sub>L</sub> current consumption | SVSLE = 0, PMMCOREV = 2  |      | 0    |      | nA   |
|                   |                                      | SVSLE = 1, PMMCOREV = 2, SVSLFP = 0                                    |      | 200  |      | nA   |
|                   |                                      | SVSLE = 1, PMMCOREV = 2, SVSLFP = 1                                    |      | 2.0  |      | μA   |
| $V_{(SVSL\_IT-)}$ | SVS <sub>L</sub> on voltage level    | SVSLE = 1, SVSLRVL = 0   | 1.20 | 1.27 | 1.32 | V    |
|                   |                                      | SVSLE = 1, SVSLRVL = 1   | 1.39 | 1.47 | 1.52 |      |
|                   |                                      | SVSLE = 1, SVSLRVL = 2   | 1.60 | 1.67 | 1.72 |      |
|                   |                                      | SVSLE = 1, SVSLRVL = 3   | 1.70 | 1.77 | 1.82 |      |
| $V_{(SVSL\_IT+)}$ | SVS <sub>L</sub> off voltage level   | SVSLE = 1, SVSMLRRL = 0  | 1.29 | 1.34 | 1.39 | V    |
|                   |                                      | SVSLE = 1, SVSMLRRL = 1  | 1.49 | 1.54 | 1.59 |      |
|                   |                                      | SVSLE = 1, SVSMLRRL = 2  | 1.69 | 1.74 | 1.79 |      |
|                   |                                      | SVSLE = 1, SVSMLRRL = 3, 4, 5, 6, 7                                    | 1.79 | 1.84 | 1.89 |      |
| $V_{(SVSL\_HYS)}$ | SVS <sub>L</sub> hysteresis          | SVSLE = 1, SVSMLRRL = 0  |      | 70   |      | mV   |
|                   |                                      | SVSLE = 1, SVSMLRRL = 1  |      | 70   |      |      |
|                   |                                      | SVSLE = 1, SVSMLRRL = 2  |      | 70   |      |      |
|                   |                                      | SVSLE = 1, SVSMLRRL = 3  |      | 70   |      |      |
| $t_{pd(SVSL)}$    | SVS <sub>L</sub> propagation delay   | SVSLE = 1, $dV_{CORE}/dt = 10 \text{ mV}/\mu\text{s}$ , SVSLFP = 1     |      | 2.5  |      | μs   |
|                   |                                      | SVSLE = 1, $dV_{CORE}/dt = 1 \text{ mV}/\mu\text{s}$ , SVSLFP = 0      |      | 20   |      |      |
| $t_{(SVSL)}$      | SVS <sub>L</sub> on/off delay time   | SVSLE = 0 → 1, $dV_{CORE}/dt = 10 \text{ mV}/\mu\text{s}$ , SVSLFP = 1 |      | 12.5 |      | μs   |
|                   |                                      | SVSLE = 0 → 1, $dV_{CORE}/dt = 1 \text{ mV}/\mu\text{s}$ , SVSLFP = 0  |      | 100  |      |      |

### PMM, SVM Low Side

over recommended ranges of supply voltage and operating free-air temperature (unless otherwise noted)

| PARAMETER     |                                       | TEST CONDITIONS   | MIN  | TYP  | MAX  | UNIT |
|---------------|---------------------------------------|---|------|------|------|------|
| $I_{(SVM)}$   | SVM <sub>L</sub> current consumption  | SVMLE = 0, PMMCOREV = 2   |      | 0    |      | nA   |
|               |                                       | SVMLE = 1, PMMCOREV = 2, SVMLEFP = 0                                    |      | 200  |      | nA   |
|               |                                       | SVMLE = 1, PMMCOREV = 2, SVMLEFP = 1                                    |      | 2.0  |      | μA   |
| $V_{(SVM)}$   | SVM <sub>L</sub> on/off voltage level | SVMLE = 1, SVSMLRRL = 0   | 1.28 | 1.34 | 1.40 | V    |
|               |                                       | SVMLE = 1, SVSMLRRL = 1   | 1.49 | 1.54 | 1.60 |      |
|               |                                       | SVMLE = 1, SVSMLRRL = 2   | 1.68 | 1.74 | 1.79 |      |
|               |                                       | SVMLE = 1, SVSMLRRL = 3, 4, 5, 6, 7                                     | 1.76 | 1.84 | 1.90 |      |
|               |                                       | SVMLE = 1, SVSMLOVPE = 1  |      | 2.02 |      |      |
| $t_{pd(SVM)}$ | SVM <sub>L</sub> propagation delay    | SVMLE = 1, $dV_{CORE}/dt = 10 \text{ mV}/\mu\text{s}$ , SVMLEFP = 1     |      | 2.5  |      | μs   |
|               |                                       | SVMLE = 1, $dV_{CORE}/dt = 1 \text{ mV}/\mu\text{s}$ , SVMLEFP = 0      |      | 20   |      |      |
| $t_{(SVM)}$   | SVM <sub>L</sub> on/off delay time    | SVMLE = 0 → 1, $dV_{CORE}/dt = 10 \text{ mV}/\mu\text{s}$ , SVMLEFP = 1 |      | 12.5 |      | μs   |
|               |                                       | SVMLE = 0 → 1, $dV_{CORE}/dt = 1 \text{ mV}/\mu\text{s}$ , SVMLEFP = 0  |      | 100  |      |      |

## Wake-up from Low Power Modes

over recommended ranges of supply voltage and operating free-air temperature (unless otherwise noted)

| PARAMETER                 |   | TEST CONDITIONS                       | V <sub>CC</sub> | MIN | TYP | MAX | UNIT |
|---------------------------|---|---------------------------------------|-----------------|-----|-----|-----|------|
| t <sub>WAKE-UP-FAST</sub> | Wake-up time from LPM2, LPM3, or LPM4 to active mode <sup>(1)</sup> | PMMCOREV = SVSMLRRL = 2<br>SVSLFP = 1 | 2.2/3.0 V       |     |     | 5   | μs   |
| t <sub>WAKE-UP-SLOW</sub> | Wake-up time from LPM2, LPM3 or LPM4 to active mode <sup>(2)</sup>  | PMMCOREV = SVSMLRRL = 2<br>SVSLFP = 0 | 2.2/3.0 V       |     | 150 |     | μs   |

- (1) This value represents the time from the wakeup event to the first active edge of MCLK. The wakeup time depends on the performance mode of the low side supervisor (SVS<sub>L</sub>) and low side monitor (SVM<sub>L</sub>). Fastest wakeup times are possible with SVS<sub>L</sub> and SVM<sub>L</sub> in full performance mode or disabled when operating in AM, LPM0, and LPM1. Various options are available for SVS<sub>L</sub> and SVM<sub>L</sub> while operating in LPM2, LPM3, and LPM4. Please refer to the *Power Management Module and Supply Voltage Supervisor* chapter in the *MSP430x5xx Family User's Guide (SLAU208)*.
- (2) This value represents the time from the wakeup event to the first active edge of MCLK. The wakeup time depends on the performance mode of the low side supervisor (SVS<sub>L</sub>) and low side monitor (SVM<sub>L</sub>). In this case, the SVS<sub>L</sub> and SVM<sub>L</sub> are in normal mode (low current) mode when operating in AM, LPM0, and LPM1. Various options are available for SVS<sub>L</sub> and SVM<sub>L</sub> while operating in LPM2, LPM3, and LPM4. Please refer to the *Power Management Module and Supply Voltage Supervisor* chapter in the *MSP430x5xx Family User's Guide (SLAU208)*.

## Timer\_A

over recommended ranges of supply voltage and operating free-air temperature (unless otherwise noted)

| PARAMETER           |                               | TEST CONDITIONS  | V <sub>CC</sub> | MIN | TYP | MAX | UNIT |
|---------------------|-------------------------------|--|-----------------|-----|-----|-----|------|
| f <sub>TA</sub>     | Timer_A input clock frequency | Internal: SMCLK, ACLK<br>External: TACLK<br>Duty cycle = 50% ± 10% | 1.8 V/<br>3.0 V |     |     | 25  | MHz  |
| t <sub>TA,cap</sub> | Timer_A capture timing        | All capture inputs.<br>Minimum pulse width required for capture.   | 1.8 V/<br>3.0 V | 20  |     |     | ns   |

## Timer\_B

over recommended ranges of supply voltage and operating free-air temperature (unless otherwise noted)

| PARAMETER           |                               | TEST CONDITIONS  | V <sub>CC</sub> | MIN | TYP | MAX | UNIT |
|---------------------|-------------------------------|--|-----------------|-----|-----|-----|------|
| f <sub>TB</sub>     | Timer_B input clock frequency | Internal: SMCLK, ACLK<br>External: TBCLK<br>Duty cycle = 50% ± 10% | 1.8 V/<br>3.0 V |     |     | 25  | MHz  |
| t <sub>TB,cap</sub> | Timer_B capture timing        | All capture inputs.<br>Minimum pulse width required for capture.   | 1.8 V/<br>3.0 V | 20  |     |     | ns   |

**USCI (UART Mode) - recommended operating conditions**

| PARAMETER           |   | CONDITIONS  | V <sub>CC</sub> | MIN | TYP | MAX                 | UNIT |
|---------------------|---|---|-----------------|-----|-----|---------------------|------|
| f <sub>USCI</sub>   | USCI input clock frequency                            | Internal: SMCLK, ACLK<br>External: UCLK<br>Duty cycle = 50% ± 10% |                 |     |     | f <sub>SYSTEM</sub> | MHz  |
| f <sub>BITCLK</sub> | BITCLK clock frequency<br>(equals baud rate in MBaud) |   |                 |     |     | 1                   | MHz  |

**USCI (UART Mode)**

over recommended ranges of supply voltage and operating free-air temperature (unless otherwise noted)

| PARAMETER      |   | TEST CONDITIONS | V <sub>CC</sub> | MIN | TYP | MAX | UNIT |
|----------------|---|-----------------|-----------------|-----|-----|-----|------|
| t <sub>τ</sub> | UART receive deglitch time <sup>(1)</sup> |                 | 2.2 V           | 50  |     | 600 | ns   |
|                |   |                 | 3 V             | 50  |     | 600 |      |

(1) Pulses on the UART receive input (UCxRX) shorter than the UART receive deglitch time are suppressed. To ensure that pulses are correctly recognized, their width should exceed the maximum specification of the deglitch time.

**USCI (SPI Master Mode) - recommended operating conditions**

| PARAMETER         |                            | CONDITIONS                                      | V <sub>CC</sub> | MIN | TYP | MAX                 | UNIT |
|-------------------|----------------------------|---|-----------------|-----|-----|---------------------|------|
| f <sub>USCI</sub> | USCI input clock frequency | Internal: SMCLK, ACLK<br>Duty cycle = 50% ± 10% |                 |     |     | f <sub>SYSTEM</sub> | MHz  |

**USCI (SPI Master Mode)**

over recommended ranges of supply voltage and operating free-air temperature (unless otherwise noted)

 (see Note <sup>(1)</sup>, [Figure 11](#) and [Figure 12](#))

| PARAMETER             |  | TEST CONDITIONS                                    | V <sub>CC</sub> | MIN | TYP | MAX                 | UNIT |
|-----------------------|--|--|-----------------|-----|-----|---------------------|------|
| f <sub>USCI</sub>     | USCI input clock frequency                 | SMCLK, ACLK<br>Duty cycle = 50% ± 10%              |                 |     |     | f <sub>SYSTEM</sub> | MHz  |
| t <sub>SU,MI</sub>    | SOMI input data setup time                 |  | 2.2 V           | 65  |     |                     | ns   |
|                       |  |  | 3 V             | 50  |     |                     |      |
| t <sub>HD,MI</sub>    | SOMI input data hold time                  |  | 2.2 V           | 0   |     |                     | ns   |
|                       |  |  | 3 V             | 0   |     |                     |      |
| t <sub>VALID,MO</sub> | SIMO output data valid time <sup>(2)</sup> | UCLK edge to SIMO valid,<br>C <sub>L</sub> = 20 pF | 2.2 V           |     |     | 25                  | ns   |
|                       |  |  | 3 V             |     |     | 20                  |      |
| t <sub>HD,MO</sub>    | SIMO output data hold time <sup>(3)</sup>  | C <sub>L</sub> = 20 pF                             | 2.2 V           |     |     |                     | ns   |
|                       |  |  | 3 V             |     |     |                     |      |

(1)  $f_{UCxCLK} = 1/2t_{LO/HI}$  with  $t_{LO/HI} \geq \max(t_{VALID,MO(USCI)} + t_{SU,SI(Slave)}, t_{SU,MI(USCI)} + t_{VALID,SO(Slave)})$ .

For the slave's parameters  $t_{SU,SI(Slave)}$  and  $t_{VALID,SO(Slave)}$  refer to the SPI parameters of the attached slave.

(2) Specifies the time to drive the next valid data to the SIMO output after the output changing UCLK clock edge. Refer to the timing diagrams in [Figure 11](#) and [Figure 12](#).

(3) Specifies how long data on the SIMO output is valid after the output changing UCLK clock edge. Negative values indicate that the data on the SIMO output can become invalid before the output changing clock edge observed on UCLK. Refer to the timing diagrams in [Figure 11](#) and [Figure 12](#).

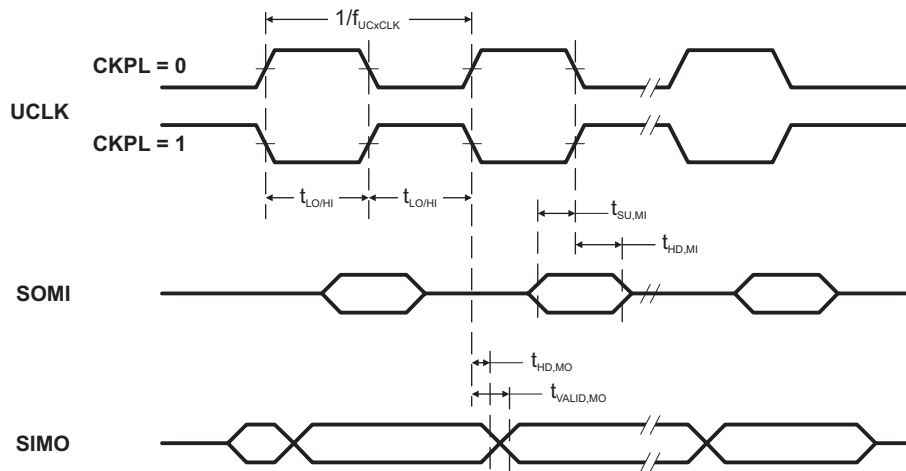


Figure 11. SPI Master Mode, CKPH = 0

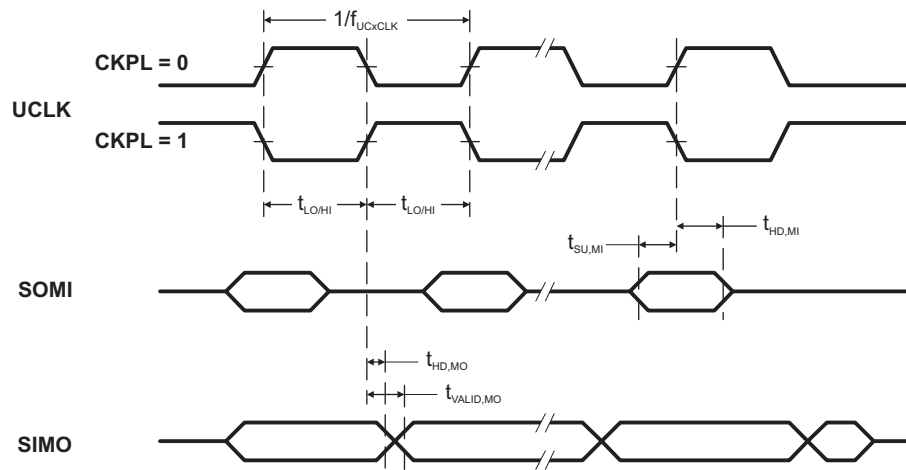


Figure 12. SPI Master Mode, CKPH = 1

### USCI (SPI Slave Mode)

over recommended ranges of supply voltage and operating free-air temperature (unless otherwise noted)  
(see Note <sup>(1)</sup>, Figure 13 and Figure 14)

| PARAMETER             | TEST CONDITIONS                                   | V <sub>CC</sub> | MIN | TYP | MAX | UNIT |
|-----------------------|---|-----------------|-----|-----|-----|------|
| t <sub>STE,LEAD</sub> | STE lead time, STE low to clock                   | 2.2 V/3 V       |     | 40  |     | ns   |
| t <sub>STE,LAG</sub>  | STE lag time, Last clock to STE high              | 2.2 V/3 V       | 10  |     |     | ns   |
| t <sub>STE,ACC</sub>  | STE access time, STE low to SOMI data out         | 2.2 V/3 V       |     | 40  |     | ns   |
| t <sub>STE,DIS</sub>  | STE disable time, STE high to SOMI high impedance | 2.2 V/3 V       |     | 40  |     | ns   |
| t <sub>SU,SI</sub>    | SIMO input data setup time                        | 2.2 V           | 20  |     |     | ns   |
|                       |   | 3 V             | 15  |     |     |      |
| t <sub>HD,SI</sub>    | SIMO input data hold time                         | 2.2 V           | 10  |     |     | ns   |
|                       |   | 3 V             | 10  |     |     |      |
| t <sub>VALID,SO</sub> | SOMI output data valid time <sup>(2)</sup>        | 2.2 V           |     |     | 62  | ns   |
|                       |   | 3 V             |     |     | 50  |      |
| t <sub>HD,SO</sub>    | SOMI output data hold time <sup>(3)</sup>         | 2.2 V           | 0   |     |     | ns   |
|                       |   | 3 V             | 0   |     |     |      |

- (1)  $f_{UCxCLK} = 1/2 \times t_{LO/HI}$  with  $t_{LO/HI} \geq \max(t_{VALID,MO(Master)} + t_{SU,SI(USCI)}, t_{SU,MI(Master)} + t_{VALID,SO(USCI)})$ .  
For the master's parameters  $t_{SU,MI(Master)}$  and  $t_{VALID,MO(Master)}$ , see the SPI parameters of the attached slave.
- (2) Specifies the time to drive the next valid data to the SOMI output after the output changing UCLK clock edge. Refer to the timing diagrams in Figure 11 and Figure 12.
- (3) Specifies how long data on the SOMI output is valid after the output changing UCLK clock edge. Refer to the timing diagrams in Figure 11 and Figure 12.

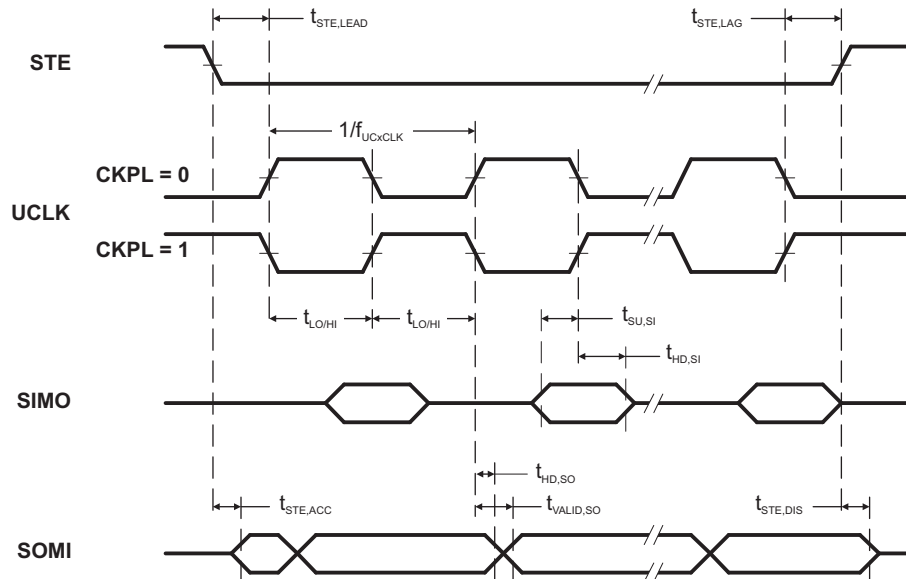


Figure 13. SPI Slave Mode, CKPH = 0

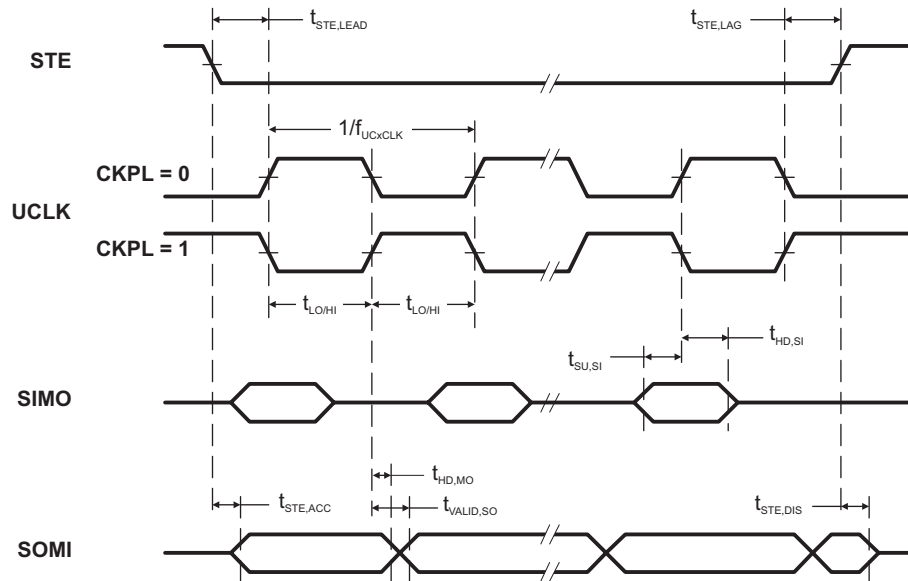


Figure 14. SPI Slave Mode, CKPH = 1

**USCI (I2C Mode)**

over recommended ranges of supply voltage and operating free-air temperature (unless otherwise noted) (see Figure 15)

| PARAMETER           |  | TEST CONDITIONS   | V <sub>CC</sub> | MIN        | TYP                 | MAX        | UNIT |
|---------------------|--|---|-----------------|------------|---------------------|------------|------|
| f <sub>USCI</sub>   | USCI input clock frequency                       | Internal: SMCLK, ACLK<br>External: UCLK<br>Duty cycle = 50% ± 10% |                 |            | f <sub>SYSTEM</sub> |            | MHz  |
| f <sub>SCL</sub>    | SCL clock frequency                              |   | 2.2 V/3 V       | 0          |                     | 400        | kHz  |
| t <sub>HD,STA</sub> | Hold time (repeated) START                       | f <sub>SCL</sub> ≤ 100 kHz<br>f <sub>SCL</sub> > 100 kHz          | 2.2 V/3 V       | 4.0<br>0.6 |                     |            | μs   |
| t <sub>SU,STA</sub> | Setup time for a repeated START                  | f <sub>SCL</sub> ≤ 100 kHz<br>f <sub>SCL</sub> > 100 kHz          | 2.2 V/3 V       | 4.7<br>0.6 |                     |            | μs   |
| t <sub>HD,DAT</sub> | Data hold time                                   |   | 2.2 V/3 V       | 0          |                     |            | ns   |
| t <sub>SU,DAT</sub> | Data setup time                                  |   | 2.2 V/3 V       | 250        |                     |            | ns   |
| t <sub>SU,STO</sub> | Setup time for STOP                              | f <sub>SCL</sub> ≤ 100 kHz<br>f <sub>SCL</sub> > 100 kHz          | 2.2 V/3 V       | 4.0<br>0.6 |                     |            | μs   |
| t <sub>SP</sub>     | Pulse width of spikes suppressed by input filter |   | 2.2 V<br>3 V    | 50<br>50   |                     | 600<br>600 | ns   |

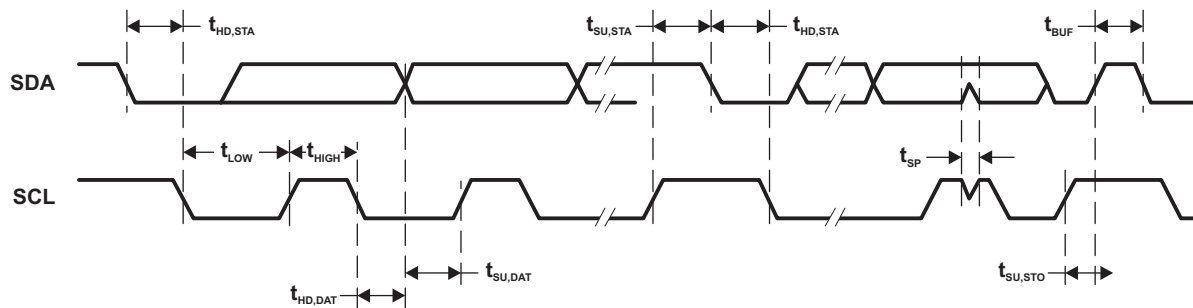


Figure 15. I2C Mode Timing

## 12-Bit ADC, Power Supply and Input Range Conditions

over recommended ranges of supply voltage and operating free-air temperature (unless otherwise noted)<sup>(1)</sup>

| PARAMETER            |  | TEST CONDITIONS   | V <sub>CC</sub> | MIN | TYP | MAX              | UNIT |
|----------------------|--|---|-----------------|-----|-----|------------------|------|
| AV <sub>CC</sub>     | Analog supply voltage  | AV <sub>CC</sub> and DV <sub>CC</sub> are connected together, AV <sub>SS</sub> and DV <sub>SS</sub> are connected together, V <sub>(AVSS)</sub> = V <sub>(DVSS)</sub> = 0 V |                 | 2.2 |     | 3.6              | V    |
| V <sub>(Ax)</sub>    | Analog input voltage range <sup>(2)</sup>                              | All ADC12 pins: P6.0 to P6.7, P7.4 to P7.7, P5.0, and P5.1 terminals  |                 | 0   |     | AV <sub>CC</sub> | V    |
| I <sub>ADC12_A</sub> | Operating supply current into AV <sub>CC</sub> terminal <sup>(3)</sup> | f <sub>ADC12CLK</sub> = 5.0 MHz, ADC12ON = 1, REFON = 0, SHT0 = 0, SHT1 = 0, ADC12DIV = 0   | 2.2 V           |     | 125 | 155              | μA   |
|                      |  |   | 3 V             |     | 150 | 220              |      |
| I <sub>REF+</sub>    | Operating supply current into AV <sub>CC</sub> terminal <sup>(4)</sup> | ADC12ON = 0, REFON = 1, REF2_5V = 1   | 3 V             |     | 150 | 190              | μA   |
|                      |  |   | 2.2 V/3 V       |     | 150 | 180              |      |
| C <sub>i</sub>       | Input capacitance  | Only one terminal Ax can be selected at one time  | 2.2 V           |     | 20  | 25               | pF   |
| R <sub>i</sub>       | Input MUX ON resistance  | 0 V ≤ V <sub>Ax</sub> ≤ AV <sub>CC</sub>  |                 | 10  | 200 | 1900             | Ω    |

(1) The leakage current is specified by the digital I/O input leakage.

(2) The analog input voltage range must be within the selected reference voltage range V<sub>R+</sub> to V<sub>R-</sub> for valid conversion results. If the reference voltage is supplied by an external source or if the internal reference voltage is used and REFOUT = 1, then decoupling capacitors are required. See [12-Bit ADC, External Reference](#) and [12-Bit ADC, Built-In Reference](#).

(3) The internal reference supply current is not included in current consumption parameter I<sub>ADC12</sub>.

(4) The internal reference current is supplied via terminal AV<sub>CC</sub>. Consumption is independent of the ADC12ON control bit, unless a conversion is active. The REFON bit enables to settle the built-in reference before starting an A/D conversion. No external load.

## 12-Bit ADC, External Reference

over recommended ranges of supply voltage and operating free-air temperature (unless otherwise noted)<sup>(1)</sup>

| PARAMETER  |   | TEST CONDITIONS  | V <sub>CC</sub> | MIN   | TYP | MAX              | UNIT |
|--|---|--|-----------------|-------|-----|------------------|------|
| V <sub>eREF+</sub>   | Positive external reference voltage input     | V <sub>eREF+</sub> > V <sub>REF-</sub> - V <sub>eREF-</sub> <sup>(2)</sup> |                 | 1.4   |     | AV <sub>CC</sub> | V    |
| V <sub>REF-</sub> - V <sub>eREF-</sub>                         | Negative external reference voltage input     | V <sub>eREF+</sub> > V <sub>REF-</sub> - V <sub>eREF-</sub> <sup>(3)</sup> |                 | 0     |     | 1.2              | V    |
| (V <sub>eREF+</sub> - V <sub>REF-</sub> - V <sub>eREF-</sub> ) | Differential external reference voltage input | V <sub>eREF+</sub> > V <sub>REF-</sub> - V <sub>eREF-</sub> <sup>(4)</sup> |                 | 1.4   |     | AV <sub>CC</sub> | V    |
| I <sub>VeREF+</sub>  | Static input current                          | 0 V ≤ V <sub>eREF+</sub> ≤ AV <sub>CC</sub>                                | 2.2 V/3 V       |       |     | ±1               | μA   |
| I <sub>VREF- - VeREF-</sub>                                    | Static input current                          | 0 V ≤ V <sub>eREF-</sub> ≤ AV <sub>CC</sub>                                | 2.2 V/3 V       |       |     | ±1               | μA   |
| C <sub>VREF+/-</sub>   | Capacitance at V <sub>REF+/-</sub> terminal   |  |                 | (5)10 |     |                  | μF   |

(1) The external reference is used during conversion to charge and discharge the capacitance array. The input capacitance, C<sub>i</sub>, is also the dynamic load for an external reference during conversion. The dynamic impedance of the reference supply should follow the recommendations on analog-source impedance to allow the charge to settle for 12-bit accuracy.

(2) The accuracy limits the minimum positive external reference voltage. Lower reference voltage levels may be applied with reduced accuracy requirements.

(3) The accuracy limits the maximum negative external reference voltage. Higher reference voltage levels may be applied with reduced accuracy requirements.

(4) The accuracy limits minimum external differential reference voltage. Lower differential reference voltage levels may be applied with reduced accuracy requirements.

(5) Two decoupling capacitors, 10μF and 100nF, should be connected to VREF to decouple the dynamic current required for an external reference source if it is used for the ADC12\_A. See also the *MSP430x5xx Family User's Guide* (SLAU208).

## 12-Bit ADC, Built-In Reference

over recommended ranges of supply voltage and operating free-air temperature (unless otherwise noted)

| PARAMETER             |   | TEST CONDITIONS  | V <sub>CC</sub> | MIN  | TYP  | MAX  | UNIT       |
|-----------------------|---|--|-----------------|------|------|------|------------|
| V <sub>REF+</sub>     | Positive built-in reference voltage output                              | REF2_5V = 1 for 2.5 V,<br>I <sub>VREF+</sub> (max) ≤ I <sub>VREF+</sub> ≤ I <sub>VREF+</sub> (min)                               | 3 V             | 2.35 | 2.45 | 2.53 | V          |
|                       |   | REF2_5V = 0 for 1.5 V,<br>I <sub>VREF+</sub> (max) ≤ I <sub>VREF+</sub> ≤ I <sub>VREF+</sub> (min)                               | 2.2 V/3 V       | 1.41 | 1.47 | 1.53 |            |
| AV <sub>CC(min)</sub> | AV <sub>CC</sub> minimum voltage,<br>Positive built-in reference active | REF2_5V = 0  |                 | 2.2  |      |      | V          |
|                       |   | REF2_5V = 1  |                 | 2.8  |      |      |            |
| I <sub>VREF+</sub>    | Load current out of V <sub>REF+</sub><br>terminal                       |  | 2.2 V           | –1   |      |      | mA         |
|                       |   |  | 3 V             | –1   |      |      |            |
| I <sub>L(VREF+)</sub> | Load-current regulation,<br>V <sub>REF+</sub> terminal                  | I <sub>VREF+</sub> = +10 μA–1000 μA,<br>Analog input voltage ~0.75 V, REF2_5V = 0  | 2.2 V           | ±2   |      |      | LSB        |
|                       |   |  | 3 V             | ±2   |      |      |            |
|                       |   | I <sub>VREF+</sub> = +10 μA–1000 μA,<br>Analog input voltage ~1.25 V, REF2_5V = 1  | 3 V             | ±2   |      |      |            |
| C <sub>VREF+</sub>    | Capacitance at V <sub>REF+</sub><br>terminal                            | REFON = REFOUT = 1 <sup>(1)</sup>  | 2.2 V/3 V       | 20   | 100  |      | pF         |
| T <sub>REF+</sub>     | Temperature coefficient of<br>built-in reference <sup>(2)</sup>         | REF2_5V = 0,<br>I <sub>VREF+</sub> is a constant in the range of<br>0 mA ≤ I <sub>VREF+</sub> ≤ –1 mA                            | 2.2 V/3 V       | 30   |      |      | ppm/<br>°C |
|                       |   | REF2_5V = 1,<br>I <sub>VREF+</sub> is a constant in the range of<br>0 mA ≤ I <sub>VREF+</sub> ≤ –1 mA                            | 3 V             | 30   |      |      |            |
| t <sub>SETTLE</sub>   | Settling time of reference<br>voltage <sup>(3)</sup>                    | V <sub>REF+</sub> = 1.5 V, V <sub>AVCC</sub> = 2.2 V,<br>REFOUT = 0, REFON = 0 → 1   |                 | 20   |      |      | μs         |
|                       |   | V <sub>REF+</sub> = 2.5 V, V <sub>AVCC</sub> = 2.8 V,<br>REFOUT = 0, REFON = 0 → 1   |                 | 20   |      |      |            |
|                       |   | V <sub>REF+</sub> = 1.5 V, V <sub>AVCC</sub> = 2.2 V,<br>C <sub>VREF</sub> = C <sub>VREF(max)</sub><br>REFOUT = 1, REFON = 0 → 1 |                 | 35   |      |      |            |
|                       |   | V <sub>REF+</sub> = 2.5 V, V <sub>AVCC</sub> = 2.8 V,<br>C <sub>VREF</sub> = C <sub>VREF(max)</sub><br>REFOUT = 1, REFON = 0 → 1 |                 | 35   |      |      |            |

(1) Two decoupling capacitors, 10μF and 100nF, should be connected to VREF to decouple the dynamic current required for an external reference source if it is used for the ADC12\_A. See also the *MSP430x5xx Family User's Guide (SLAU208)*.

(2) Calculated using the box method: (MAX(–40 to 85°C) – MIN(–40 to 85°C)) / MIN(–40 to 85°C)/(85°C – (–40°C))

(3) The condition is that the error in a conversion started after t<sub>REFON</sub> is less than ±0.5 LSB. The settling time depends on the external capacitive load.



## 12-Bit ADC, Timing Parameters

over recommended ranges of supply voltage and operating free-air temperature (unless otherwise noted)

| PARAMETER             |  | TEST CONDITIONS   | V <sub>CC</sub> | MIN  | TYP  | MAX | UNIT |
|-----------------------|--|---|-----------------|------|------|-----|------|
| f <sub>ADC12CLK</sub> |  | For specified performance of ADC12 linearity parameters   | 2.2 V/3 V       | 0.45 | 4.8  | 5.4 | MHz  |
| f <sub>ADC12OSC</sub> | Internal ADC12 oscillator <sup>(1)</sup> | ADC12DIV = 0, f <sub>ADC12CLK</sub> = f <sub>ADC12OSC</sub>   | 2.2 V/3 V       | 4.2  | 4.65 | 5.0 | MHz  |
| t <sub>CONVERT</sub>  | Conversion time                          | REFON = 0, Internal oscillator, f <sub>ADC12OSC</sub> = 4.2 MHz to 5.4 MHz  | 2.2 V/3 V       | 2.4  |      | 3.1 | μs   |
|                       |  | External f <sub>ADC12CLK</sub> from ACLK, MCLK or SMCLK, ADC12SSEL ≠ 0  |                 |      | (2)  |     |      |
| t <sub>ADC12ON</sub>  | Turn on settling time of the ADC         | See <sup>(3)</sup>  |                 |      |      | 100 | ns   |
| t <sub>Sample</sub>   | Sampling time                            | R <sub>S</sub> = 400 Ω, R <sub>I</sub> = 1000 Ω, C <sub>I</sub> = 30 pF, τ = [R <sub>S</sub> + R <sub>I</sub> ] × C <sub>I</sub> <sup>(4)</sup> | 2.2 V/3 V       | 1000 |      |     | ns   |

(1) The ADC12OSC is sourced directly from MODOSC inside the UCS.

(2) 13 × ADC12DIV × 1/f<sub>ADC12CLK</sub>

(3) The condition is that the error in a conversion started after t<sub>ADC12ON</sub> is less than ±0.5 LSB. The reference and input signal are already settled.

(4) Approximately ten Tau (τ) are needed to get an error of less than ±0.5 LSB:

$$t_{\text{Sample}} = \ln(2^{n+1}) \times (R_S + R_I) \times C_I + 800 \text{ ns, where } n = \text{ADC resolution} = 12, R_S = \text{external source resistance}$$

## 12-Bit ADC, Linearity Parameters

over recommended ranges of supply voltage and operating free-air temperature (unless otherwise noted)

| PARAMETER      |                              | TEST CONDITIONS   | V <sub>CC</sub> | MIN | TYP  | MAX  | UNIT |
|----------------|------------------------------|---|-----------------|-----|------|------|------|
| E <sub>I</sub> | Integral linearity error     | 1.4 V ≤ (V <sub>eREF+</sub> - V <sub>REF-/V<sub>eREF-</sub></sub> )min ≤ 1.6 V  | 2.2 V/3 V       |     |      | ±2   | LSB  |
|                |                              | 1.6 V < (V <sub>eREF+</sub> - V <sub>REF-/V<sub>eREF-</sub></sub> )min ≤ V <sub>AVCC</sub>  |                 |     |      | ±1.7 |      |
| E <sub>D</sub> | Differential linearity error | (V <sub>eREF+</sub> - V <sub>REF-/V<sub>eREF-</sub></sub> )min ≤ (V <sub>eREF+</sub> - V <sub>REF-/V<sub>eREF-</sub></sub> ), C <sub>VREF+</sub> = 20 pF  | 2.2 V/3 V       |     |      | ±1   | LSB  |
| E <sub>O</sub> | Offset error                 | (V <sub>eREF+</sub> - V <sub>REF-/V<sub>eREF-</sub></sub> )min ≤ (V <sub>eREF+</sub> - V <sub>REF-/V<sub>eREF-</sub></sub> ), Internal impedance of source R <sub>S</sub> < 100 Ω, C <sub>VREF+</sub> = 20 pF | 2.2 V/3 V       |     | ±1   | ±3.5 | LSB  |
| E <sub>G</sub> | Gain error                   | (V <sub>eREF+</sub> - V <sub>REF-/V<sub>eREF-</sub></sub> )min ≤ (V <sub>eREF+</sub> - V <sub>REF-/V<sub>eREF-</sub></sub> ), C <sub>VREF+</sub> = 20 pF  | 2.2 V/3 V       |     | ±1.1 | ±2   | LSB  |
| E <sub>T</sub> | Total unadjusted error       | (V <sub>eREF+</sub> - V <sub>REF-/V<sub>eREF-</sub></sub> )min ≤ (V <sub>eREF+</sub> - V <sub>REF-/V<sub>eREF-</sub></sub> ), C <sub>VREF+</sub> = 20 pF  | 2.2 V/3 V       |     | ±2   | ±5   | LSB  |

## 12-Bit ADC, Temperature Sensor and Built-In $V_{MID}$

over recommended ranges of supply voltage and operating free-air temperature (unless otherwise noted)

| PARAMETER                   |   | TEST CONDITIONS   | $V_{CC}$  | MIN  | TYP | MAX | UNIT                       |
|-----------------------------|---|---|-----------|------|-----|-----|----------------------------|
| $I_{SENSOR}$                | Operating supply current into $AV_{CC}$ terminal <sup>(1)</sup> | REFON = 0, INCH = 0Ah,<br>ADC12ON = N A, $T_A = 25^\circ\text{C}$   | 2.2 V     | 150  |     |     | $\mu\text{A}$              |
|                             |   |   | 3 V       | 150  |     |     |                            |
| $V_{SENSOR}$                | See <sup>(2)</sup>  | ADC12ON = 1, INCH = 0Ah,<br>$T_A = 0^\circ\text{C}$                 | 2.2 V     | 894  |     |     | mV                         |
|                             |   |   | 3 V       | 894  |     |     |                            |
| $TC_{SENSOR}$               |   | ADC12ON = 1, INCH = 0Ah   | 2.2 V     | 3.66 |     |     | $\text{mV}/^\circ\text{C}$ |
|                             |   |   | 3 V       | 3.66 |     |     |                            |
| $t_{SENSOR(\text{sample})}$ | Sample time required if channel 10 is selected <sup>(3)</sup>   | ADC12ON = 1, INCH = 0Ah,<br>Error of conversion result $\leq 1$ LSB | 2.2 V     | 30   |     |     | $\mu\text{s}$              |
|                             |   |   | 3 V       | 30   |     |     |                            |
| $V_{MID}$                   | $AV_{CC}$ divider at channel 11                                 | ADC12ON = 1, INCH = 0Bh,<br>$V_{MID}$ is $\sim 0.5 \times V_{AVCC}$ | 2.2 V     | 1.1  |     |     | V                          |
|                             |   |   | 3 V       | 1.5  |     |     |                            |
| $t_{VMID(\text{sample})}$   | Sample time required if channel 11 is selected <sup>(4)</sup>   | ADC12ON = 1, INCH = 0Bh,<br>Error of conversion result $\leq 1$ LSB | 2.2 V/3 V | 1000 |     |     | ns                         |

- (1) The sensor current  $I_{SENSOR}$  is consumed if (ADC12ON = 1 and REFON = 1) or (ADC12ON = 1 and INCH = 0Ah and sample signal is high). When REFON = 1,  $I_{SENSOR}$  is already included in  $I_{REF+}$ .
- (2) The temperature sensor offset can be as much as  $\pm 20^\circ\text{C}$ . A single-point calibration is recommended in order to minimize the offset error of the built-in temperature sensor.
- (3) The typical equivalent impedance of the sensor is 51 k $\Omega$ . The sample time required includes the sensor-on time  $t_{SENSOR(\text{on})}$ .
- (4) The on-time  $t_{VMID(\text{on})}$  is included in the sampling time  $t_{VMID(\text{sample})}$ ; no additional on time is needed.

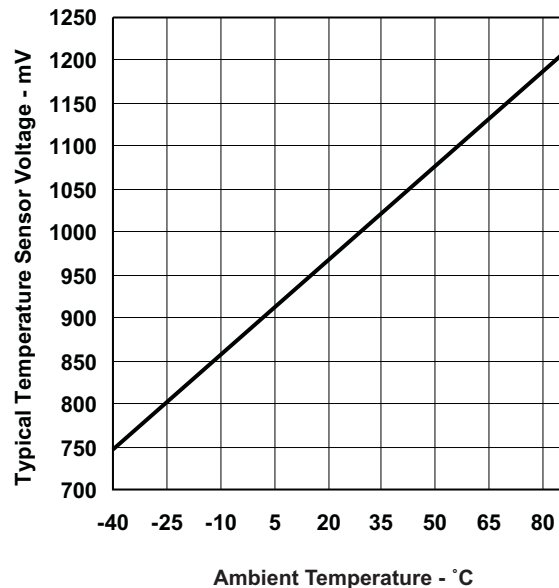


Figure 16. Typical Temperature Sensor Voltage

## Flash Memory

over recommended ranges of supply voltage and operating free-air temperature (unless otherwise noted)

| PARAMETER                   |   | TEST CONDITIONS       | MIN             | TYP             | MAX | UNIT   |
|-----------------------------|---|-----------------------|-----------------|-----------------|-----|--------|
| DV <sub>CC(PGM/ERASE)</sub> | Program and erase supply voltage  |                       | 1.8             |                 | 3.6 | V      |
| I <sub>PGM</sub>            | Average supply current from DV <sub>CC</sub> during program                       |                       |                 | 3               | 5   | mA     |
| I <sub>ERASE</sub>          | Average supply current from DV <sub>CC</sub> during erase                         |                       |                 |                 | 2   | mA     |
| I <sub>MERASE, BANK</sub>   | Average supply current from DV <sub>CC</sub> during mass erase or bank erase      |                       |                 |                 | 2   | mA     |
| t <sub>CPT</sub>            | Cumulative program time   | See <sup>(1)</sup>    |                 |                 | 16  | ms     |
|                             | Program/erase endurance   |                       | 10 <sup>4</sup> | 10 <sup>5</sup> |     | cycles |
| t <sub>Retention</sub>      | Data retention duration   | T <sub>J</sub> = 25°C | 100             |                 |     | years  |
| t <sub>Word</sub>           | Word or byte program time   | See <sup>(2)</sup>    | 64              |                 | 85  | μs     |
| t <sub>Block, 0</sub>       | Block program time for first byte or word   | See <sup>(2)</sup>    | 49              |                 | 65  | μs     |
| t <sub>Block, 1–(N–1)</sub> | Block program time for each additional byte or word, except for last byte or word | See <sup>(2)</sup>    | 37              |                 | 49  | μs     |
| t <sub>Block, N</sub>       | Block program time for last byte or word  | See <sup>(2)</sup>    | 55              |                 | 73  | μs     |
| t <sub>Erase</sub>          | Erase time for segment, mass erase, and bank erase when available.                | See <sup>(2)</sup>    | 23              |                 | 32  | ms     |
| f <sub>MCLK,MGR</sub>       | MCLK frequency in marginal read mode (FCTL4.MGR0 = 1 or FCTL4.MGR1 = 1)           |                       | 0               |                 | 1   | MHz    |

- (1) The cumulative program time must not be exceeded when writing to a 128-byte flash block. This parameter applies to all programming methods: individual word/byte write and block write modes.
- (2) These values are hardwired into the flash controller's state machine.

## JTAG and Spy-Bi-Wire Interface

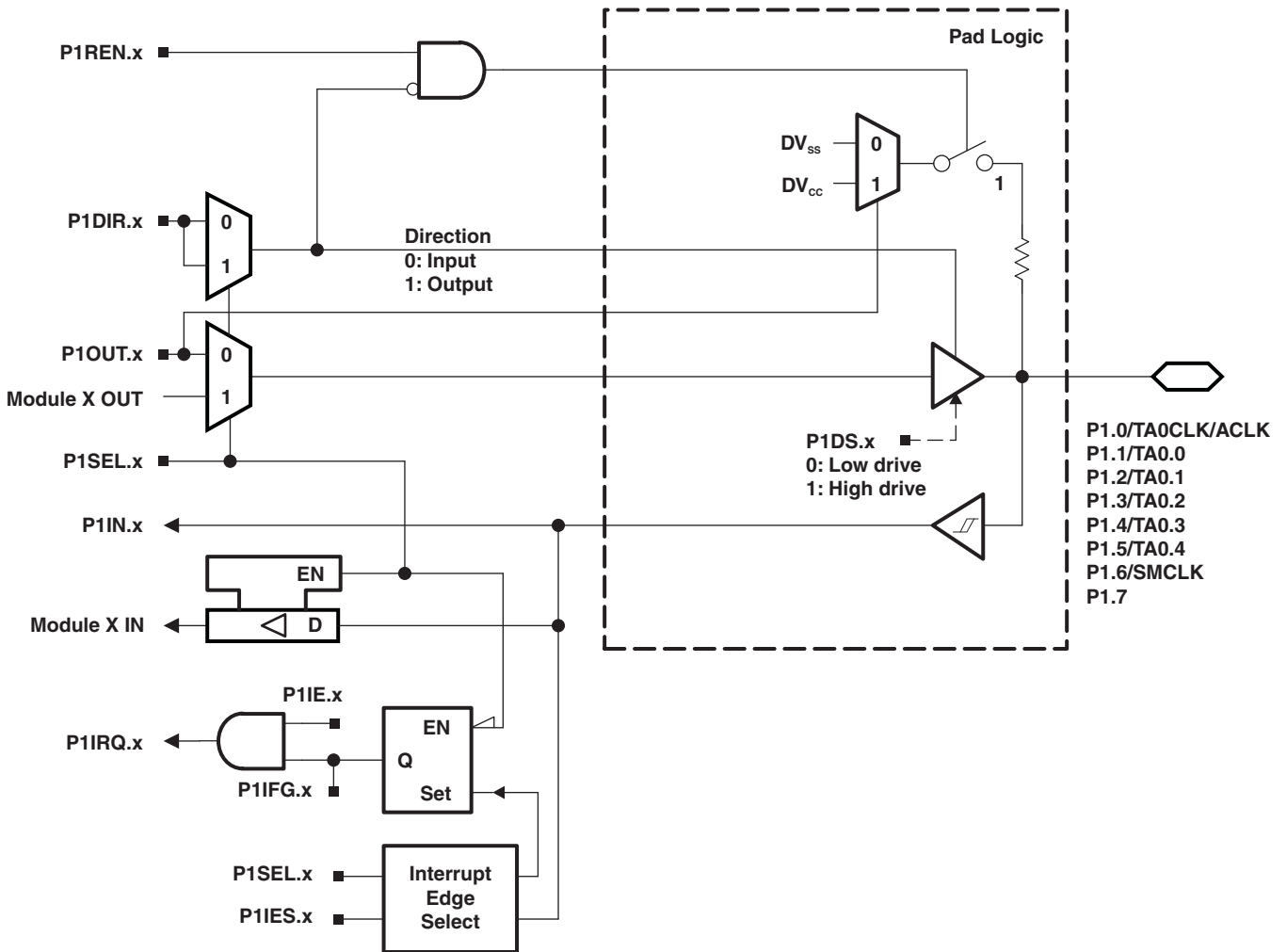
over recommended ranges of supply voltage and operating free-air temperature (unless otherwise noted)

| PARAMETER             |  | TEST CONDITIONS | MIN   | TYP | MAX | UNIT |
|-----------------------|--|-----------------|-------|-----|-----|------|
| f <sub>SBW</sub>      | Spy-Bi-Wire input frequency  | 2.2 V/3 V       | 0     |     | 20  | MHz  |
| t <sub>SBW,Low</sub>  | Spy-Bi-Wire low clock pulse length   | 2.2 V/3 V       | 0.025 |     | 15  | μs   |
| t <sub>SBW,En</sub>   | Spy-Bi-Wire enable time (TEST high to acceptance of first clock edge) <sup>(1)</sup> | 2.2 V/3 V       |       |     | 1   | μs   |
| t <sub>SBW,Rst</sub>  | Spy-Bi-Wire return to normal operation time  |                 | 15    |     | 100 | μs   |
| f <sub>TCK</sub>      | TCK input frequency - 4-wire JTAG <sup>(2)</sup>                                     | 2.2 V           | 0     |     | 5   | MHz  |
|                       |  | 3 V             | 0     |     | 10  | MHz  |
| R <sub>internal</sub> | Internal pulldown resistance on TEST   | 2.2 V/3 V       | 45    | 60  | 80  | kΩ   |

- (1) Tools accessing the Spy-Bi-Wire interface need to wait for the t<sub>SBW,En</sub> time after pulling the TEST/SBWTCK pin high before applying the first SBWTCK clock edge.
- (2) f<sub>TCK</sub> may be restricted to meet the timing requirements of the module selected.

### INPUT/OUTPUT SCHEMATICS

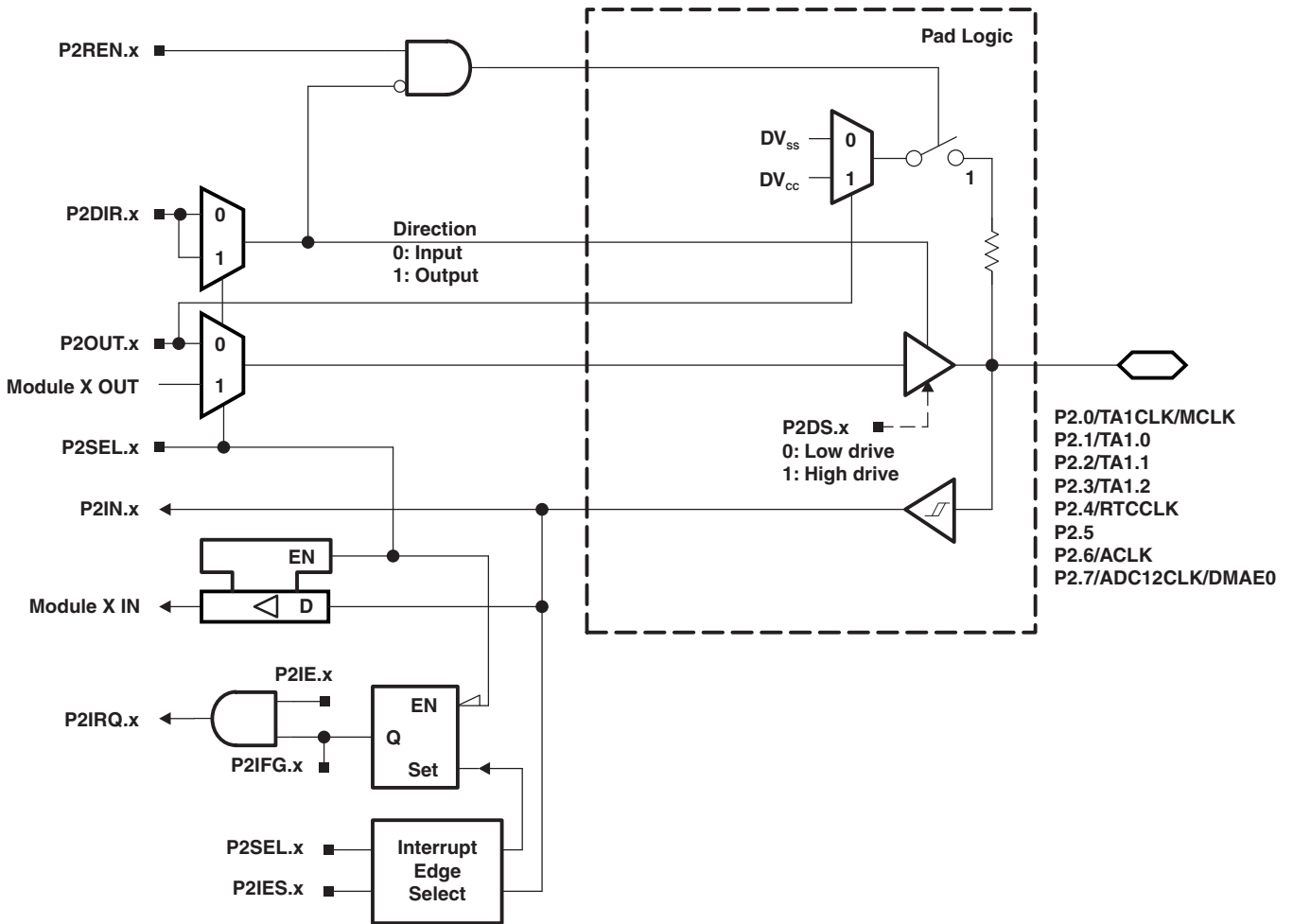
#### Port P1, P1.0 to P1.7, Input/Output With Schmitt Trigger



**Table 42. Port P1 (P1.0 to P1.7) Pin Functions**

| PIN NAME (P1.x)  | x | FUNCTION   | CONTROL BITS/SIGNALS |         |
|------------------|---|------------|----------------------|---------|
|                  |   |            | P1DIR.x              | P1SEL.x |
| P1.0/TA0CLK/ACLK | 0 | P1.0 (I/O) | I: 0; O: 1           | 0       |
|                  |   | TA0.TA0CLK | 0                    | 1       |
|                  |   | ACLK       | 1                    | 1       |
| P1.1/TA0.0       | 1 | P1.1 (I/O) | I: 0; O: 1           | 0       |
|                  |   | TA0.CCI0A  | 0                    | 1       |
|                  |   | TA0.0      | 1                    | 1       |
| P1.2/TA0.1       | 2 | P1.2 (I/O) | I: 0; O: 1           | 0       |
|                  |   | TA0.CCI1A  | 0                    | 1       |
|                  |   | TA0.1      | 1                    | 1       |
| P1.3/TA0.2       | 3 | P1.3 (I/O) | I: 0; O: 1           | 0       |
|                  |   | TA0.CCI2A  | 0                    | 1       |
|                  |   | TA0.2      | 1                    | 1       |
| P1.4/TA0.3       | 4 | P1.4 (I/O) | I: 0; O: 1           | 0       |
|                  |   | TA0.CCI3A  | 0                    | 1       |
|                  |   | TA0.3      | 1                    | 1       |
| P1.5/TA0.4       | 5 | P1.5 (I/O) | I: 0; O: 1           | 0       |
|                  |   | TA0.CCI4A  | 0                    | 1       |
|                  |   | TA0.4      | 1                    | 1       |
| P1.6/SMCLK       | 6 | P1.6 (I/O) | I: 0; O: 1           | 0       |
|                  |   | SMCLK      | 1                    | 1       |
| P1.7             | 7 | P1.7 (I/O) | I: 0; O: 1           | 0       |

Port P2, P2.0 to P2.7, Input/Output With Schmitt Trigger



**Table 43. Port P2 (P2.0 to P2.7) Pin Functions**

| PIN NAME (P2.x)     | x | FUNCTION   | CONTROL BITS/SIGNALS |         |
|---------------------|---|------------|----------------------|---------|
|                     |   |            | P2DIR.x              | P2SEL.x |
| P2.0/TA1CLK/MCLK    | 0 | P2.0 (I/O) | I: 0; O: 1           | 0       |
|                     |   | TA1CLK     | 0                    | 1       |
|                     |   | MCLK       | 1                    | 1       |
| P2.1/TA1.0          | 1 | P2.1 (I/O) | I: 0; O: 1           | 0       |
|                     |   | TA1.CCI0A  | 0                    | 1       |
|                     |   | TA1.0      | 1                    | 1       |
| P2.2/TA1.1          | 2 | P2.2 (I/O) | I: 0; O: 1           | 0       |
|                     |   | TA1.CCI1A  | 0                    | 1       |
|                     |   | TA1.1      | 1                    | 1       |
| P2.3/TA1.2          | 3 | P2.3 (I/O) | I: 0; O: 1           | 0       |
|                     |   | TA1.CCI2A  | 0                    | 1       |
|                     |   | TA1.2      | 1                    | 1       |
| P2.4/RTCCLK         | 4 | P2.4 (I/O) | I: 0; O: 1           | 0       |
|                     |   | RTCCLK     | 1                    | 1       |
| P2.5                | 5 | P2.5 (I/O) | I: 0; O: 1           | 0       |
| P2.6/ACLK           | 6 | P2.6 (I/O) | I: 0; O: 1           | 0       |
|                     |   | ACLK       | 1                    | 1       |
| P2.7/ADC12CLK/DMAE0 | 7 | P2.7 (I/O) | I: 0; O: 1           | 0       |
|                     |   | DMAE0      | 0                    | 1       |
|                     |   | ADC12CLK   | 1                    | 1       |

Port P3, P3.0 to P3.7, Input/Output With Schmitt Trigger

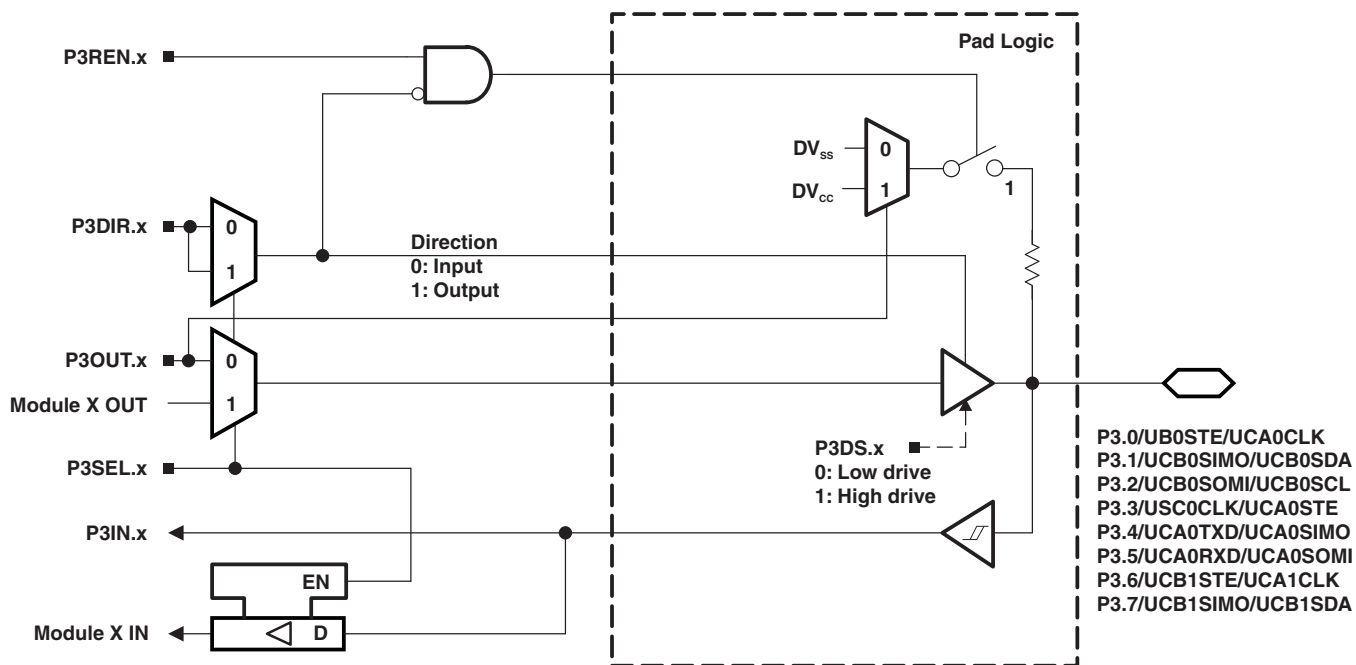


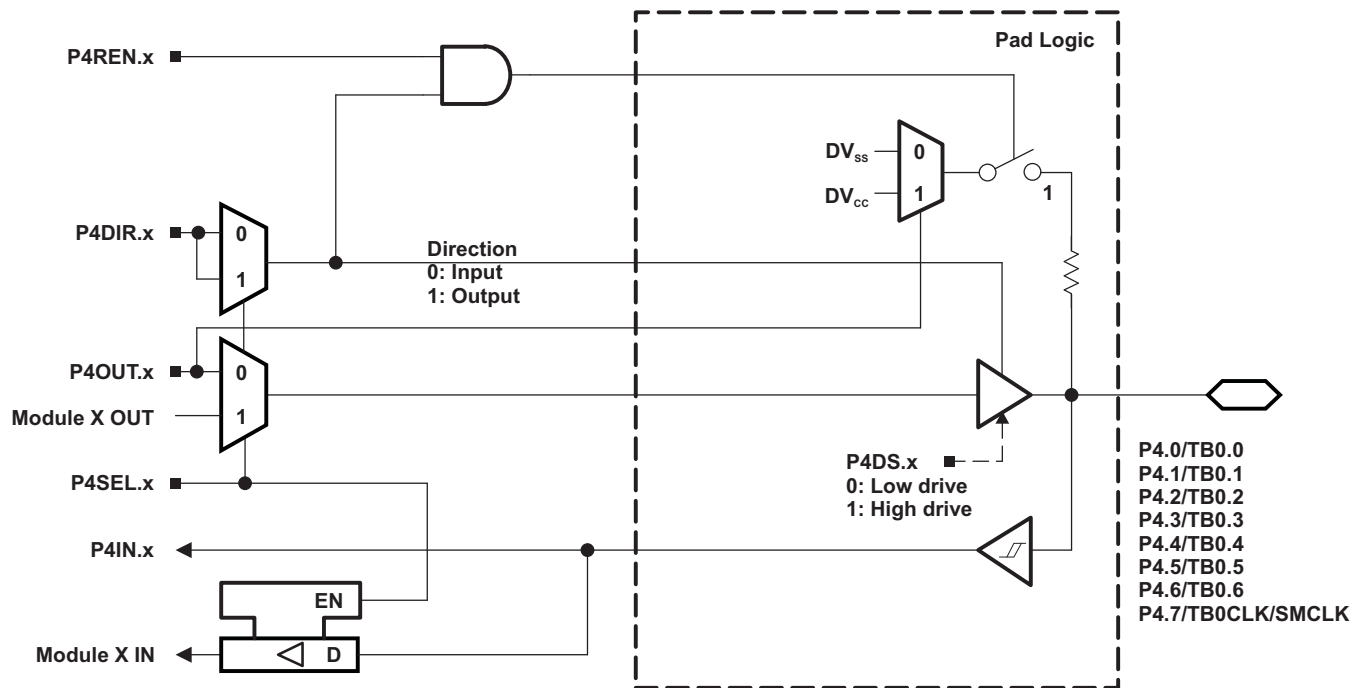
Table 44. Port P3 (P3.0 to P3.7) Pin Functions

| PIN NAME (P3.x)       | x | FUNCTION                            | CONTROL BITS/SIGNALS <sup>(1)</sup> |         |
|-----------------------|---|-------------------------------------|-------------------------------------|---------|
|                       |   |                                     | P3DIR.x                             | P3SEL.x |
| P3.0/UCB0STE/UCA0CLK  | 0 | P3.0 (I/O)                          | I: 0; O: 1                          | 0       |
|                       |   | UCB0STE/UCA0CLK <sup>(2) (3)</sup>  | X                                   | 1       |
| P3.1/UCB0SIMO/UCB0SDA | 1 | P3.1 (I/O)                          | I: 0; O: 1                          | 0       |
|                       |   | UCB0SIMO/UCB0SDA <sup>(2) (4)</sup> | X                                   | 1       |
| P3.2/UCB0SOMI/UCB0SCL | 2 | P3.2 (I/O)                          | I: 0; O: 1                          | 0       |
|                       |   | UCB0SOMI/UCB0SCL <sup>(2) (4)</sup> | X                                   | 1       |
| P3.3/UCB0CLK/UCA0STE  | 3 | P3.3 (I/O)                          | I: 0; O: 1                          | 0       |
|                       |   | UCB0CLK/UCA0STE <sup>(2)</sup>      | X                                   | 1       |
| P3.4/UCA0TXD/UCA0SIMO | 4 | P3.4 (I/O)                          | I: 0; O: 1                          | 0       |
|                       |   | UCA0TXD/UCA0SIMO <sup>(2)</sup>     | X                                   | 1       |
| P3.5/UCA0RXD/UCA0SOMI | 5 | P3.5 (I/O)                          | I: 0; O: 1                          | 0       |
|                       |   | UCA0RXD/UCA0SOMI <sup>(2)</sup>     | X                                   | 1       |
| P3.6/UCB1STE/UCA1CLK  | 6 | P3.6 (I/O)                          | I: 0; O: 1                          | 0       |
|                       |   | UCB1STE/UCA1CLK <sup>(2) (5)</sup>  | X                                   | 1       |
| P3.7/UCB1SIMO/UCB1SDA | 7 | P3.7 (I/O)                          | I: 0; O: 1                          | 0       |
|                       |   | UCB1SIMO/UCB1SDA <sup>(2) (4)</sup> | X                                   | 1       |

- (1) X = Don't care
- (2) The pin direction is controlled by the USC1 module.
- (3) UCA0CLK function takes precedence over UCB0STE function. If the pin is required as UCA0CLK input or output, USC1 A0/B0 is forced to 3-wire SPI mode if 4-wire SPI mode is selected.
- (4) If the I2C functionality is selected, the output drives only the logical 0 to V<sub>SS</sub> level.
- (5) UCA1CLK function takes precedence over UCB1STE function. If the pin is required as UCA1CLK input or output, USC1 A1/B1 is forced to 3-wire SPI mode if 4-wire SPI mode is selected.



**Port P4, P4.0 to P4.7, Input/Output With Schmitt Trigger**

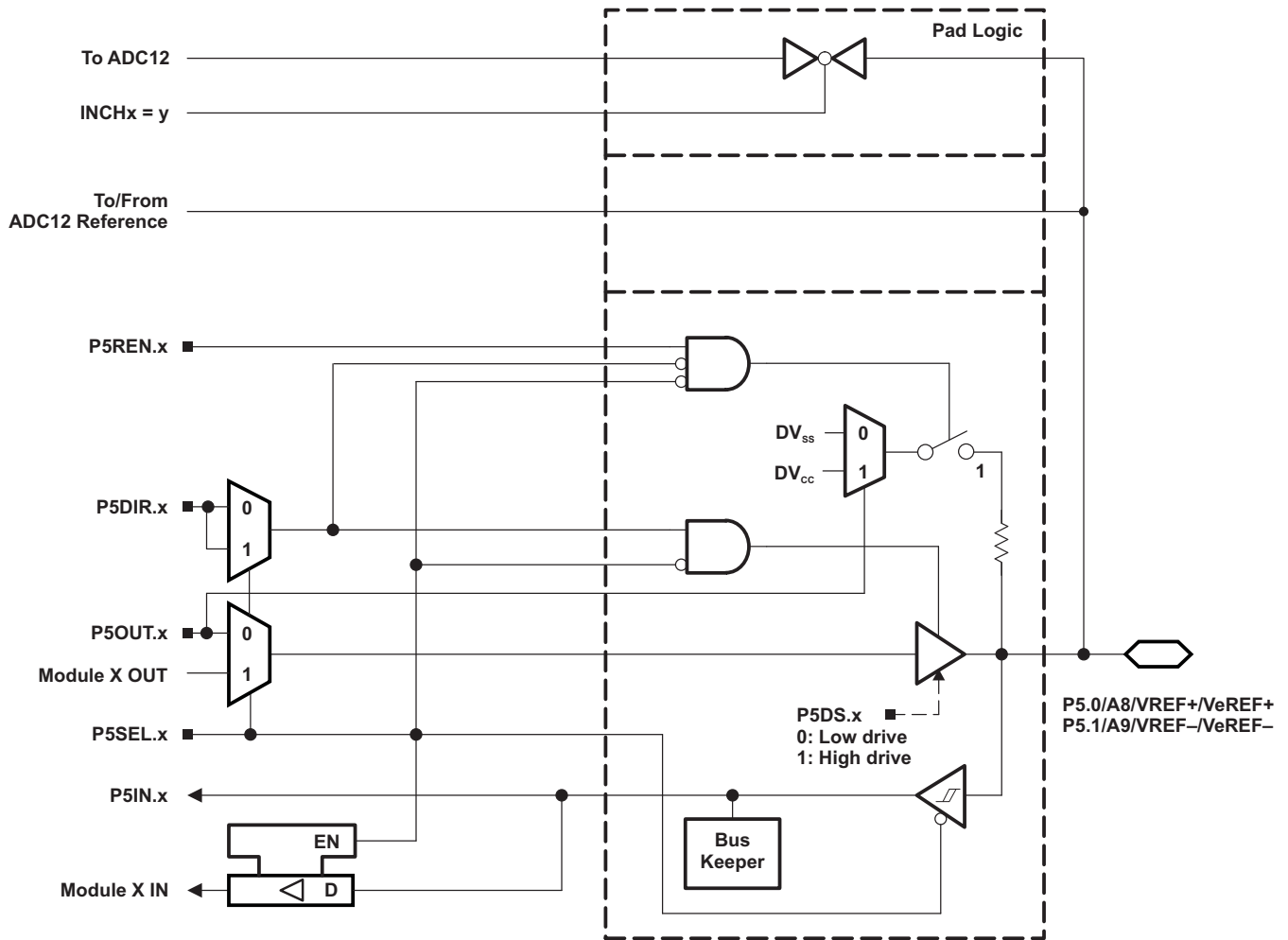


**Table 45. Port P4 (P4.0 to P4.7) Pin Functions**

| PIN NAME (P4.x)   | x | FUNCTION                | CONTROL BITS/SIGNALS |         |
|-------------------|---|-------------------------|----------------------|---------|
|                   |   |                         | P4DIR.x              | P4SEL.x |
| P4.0/TB0.0        | 0 | 4.0 (I/O)               | I: 0; O: 1           | 0       |
|                   |   | TB0.CCI0A and TB0.CCI0B | 0                    | 1       |
|                   |   | TB0.0 <sup>(1)</sup>    | 1                    | 1       |
| P4.1/TB0.1        | 1 | 4.1 (I/O)               | I: 0; O: 1           | 0       |
|                   |   | TB0.CCI1A and TB0.CCI1B | 0                    | 1       |
|                   |   | TB0.1 <sup>(1)</sup>    | 1                    | 1       |
| P4.2/TB0.2        | 2 | 4.2 (I/O)               | I: 0; O: 1           | 0       |
|                   |   | TB0.CCI2A and TB0.CCI2B | 0                    | 1       |
|                   |   | TB0.2 <sup>(1)</sup>    | 1                    | 1       |
| P4.3/TB0.3        | 3 | 4.3 (I/O)               | I: 0; O: 1           | 0       |
|                   |   | TB0.CCI3A and TB0.CCI3B | 0                    | 1       |
|                   |   | TB0.3 <sup>(1)</sup>    | 1                    | 1       |
| P4.4/TB0.5        | 4 | 4.4 (I/O)               | I: 0; O: 1           | 0       |
|                   |   | TB0.CCI4A and TB0.CCI4B | 0                    | 1       |
|                   |   | TB0.4 <sup>(1)</sup>    | 1                    | 1       |
| P4.5/TB0.5        | 5 | 4.5 (I/O)               | I: 0; O: 1           | 0       |
|                   |   | TB0.CCI5A and TB0.CCI5B | 0                    | 1       |
|                   |   | TB0.5 <sup>(1)</sup>    | 1                    | 1       |
| P4.6/TB0.6        | 6 | 4.6 (I/O)               | I: 0; O: 1           | 0       |
|                   |   | TB0.CCI6A and TB0.CCI6B | 0                    | 1       |
|                   |   | TB0.6 <sup>(1)</sup>    | 1                    | 1       |
| P4.7/TB0CLK/SMCLK | 7 | 4.7 (I/O)               | I: 0; O: 1           | 0       |
|                   |   | TB0CLK                  | 0                    | 1       |
|                   |   | SMCLK                   | 1                    | 1       |

(1) Setting TBOUTH causes all Timer\_B configured outputs to be set to high impedance.

Port P5, P5.0 and P5.1, Input/Output With Schmitt Trigger



**Table 46. Port P5 (P5.0 and P5.1) Pin Functions**

| PIN NAME (P5.x)      | x | FUNCTION                  | CONTROL BITS/SIGNALS <sup>(1)</sup> |         |        |
|----------------------|---|---------------------------|-------------------------------------|---------|--------|
|                      |   |                           | P5DIR.x                             | P5SEL.x | REFOUT |
| P5.0/A8/VREF+/VeREF+ | 0 | P5.0 (I/O) <sup>(2)</sup> | I: 0; O: 1                          | 0       | X      |
|                      |   | VeREF+ <sup>(3)</sup>     | X                                   | 1       | 0      |
|                      |   | VREF+ <sup>(4)</sup>      | X                                   | 1       | 1      |
|                      |   | A8 <sup>(5)</sup>         | X                                   | 1       | 0      |
| P5.1/A9/VREF-/VeREF- | 1 | P5.1 (I/O) <sup>(2)</sup> | I: 0; O: 1                          | 0       | X      |
|                      |   | VeREF- <sup>(6)</sup>     | X                                   | 1       | 0      |
|                      |   | VREF- <sup>(7)</sup>      | X                                   | 1       | 1      |
|                      |   | A9 <sup>(8)</sup>         | X                                   | 1       | 0      |

(1) X = Don't care

(2) Default condition

(3) Setting the P5SEL.0 bit disables the output driver as well as the input Schmitt trigger to prevent parasitic cross currents when applying analog signals. An external voltage can be applied to VeREF+ and used as the reference for the ADC12\_A.

(4) Setting the P5SEL.0 bit disables the output driver as well as the input Schmitt trigger to prevent parasitic cross currents when applying analog signals. The ADC12\_A, VREF+ reference is available at the pin.

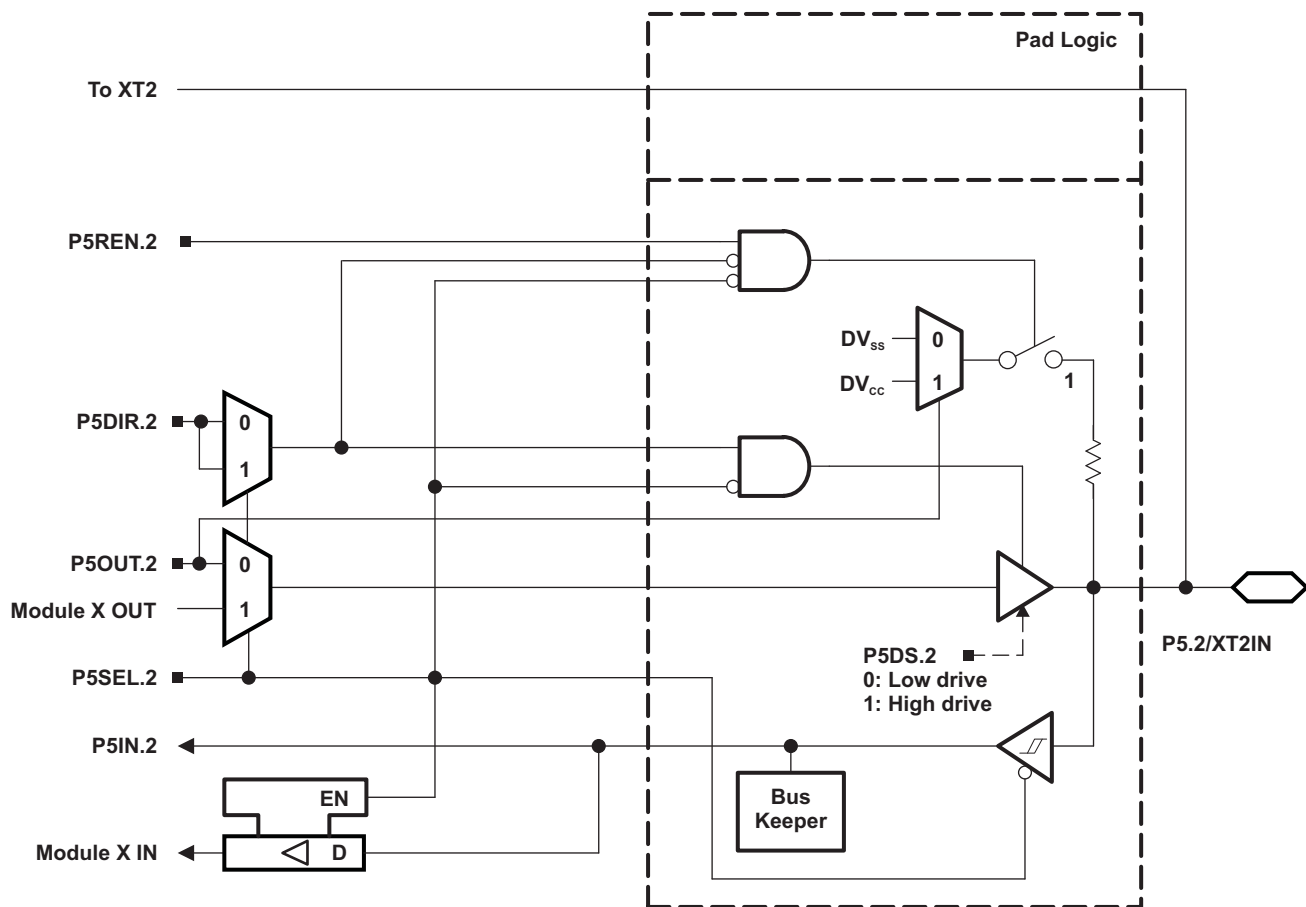
(5) When not using an external reference applied to VeREF+ or not outputting the internal reference to VREF+, A8 may be used as an external ADC channel. Setting the P5SEL.0 bit disables the output driver as well as the input Schmitt trigger to prevent parasitic cross currents when applying analog signals.

(6) Setting the P5SEL.1 bit disables the output driver as well as the input Schmitt trigger to prevent parasitic cross currents when applying analog signals. An external voltage can be applied to VeREF- and used as the reference for the ADC12\_A.

(7) Setting the P5SEL.1 bit disables the output driver as well as the input Schmitt trigger to prevent parasitic cross currents when applying analog signals. The ADC12\_A, VREF- reference is available at the pin.

(8) When not using an external reference applied to VeREF+ or not outputting the internal reference to VREF+, A8 may be used as an external ADC channel. Setting the P5SEL.1 bit disables the output driver as well as the input Schmitt trigger to prevent parasitic cross currents when applying analog signals.

Port P5, P5.2, Input/Output With Schmitt Trigger



Port P5, P5.3, Input/Output With Schmitt Trigger

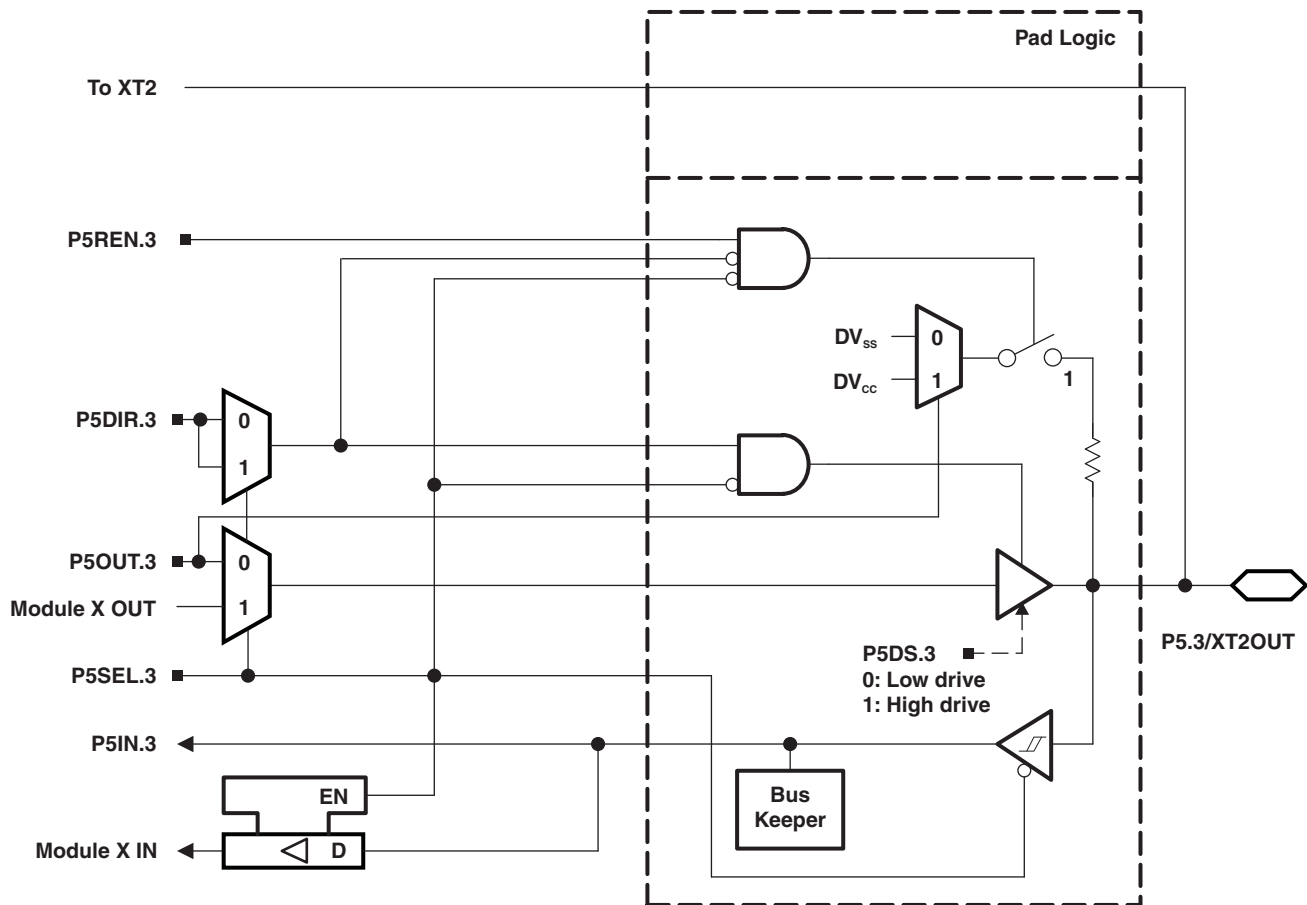


Table 47. Port P5 (P5.2) Pin Functions

| PIN NAME (P5.x) | x | FUNCTION                           | CONTROL BITS/SIGNALS <sup>(1)</sup> |         |         |           |
|-----------------|---|------------------------------------|-------------------------------------|---------|---------|-----------|
|                 |   |                                    | P5DIR.x                             | P5SEL.2 | P5SEL.3 | XT2BYPASS |
| P5.2/XT2IN      | 2 | P5.2 (I/O)                         | I: 0; O: 1                          | 0       | X       | X         |
|                 |   | XT2IN crystal mode <sup>(2)</sup>  | X                                   | 1       | X       | 0         |
|                 |   | XT2IN bypass mode <sup>(2)</sup>   | X                                   | 1       | X       | 1         |
| P5.3/XT2OUT     | 3 | P5.3 (I/O)                         | I: 0; O: 1                          | 0       | X       | X         |
|                 |   | XT2OUT crystal mode <sup>(3)</sup> | X                                   | 1       | X       | 0         |
|                 |   | P5.3 (I/O) <sup>(3)</sup>          | X                                   | 1       | X       | 1         |

(1) X = Don't care  
 (2) Setting P5SEL.2 causes the general-purpose I/O to be disabled. Pending the setting of XT2BYPASS, P5.2 is configured for crystal mode or bypass mode.  
 (3) Setting P5SEL.2 causes the general-purpose I/O to be disabled in crystal mode. When using bypass mode, P5.3 can be used as general-purpose I/O.

Port P5, P5.4 to P5.7, Input/Output With Schmitt Trigger

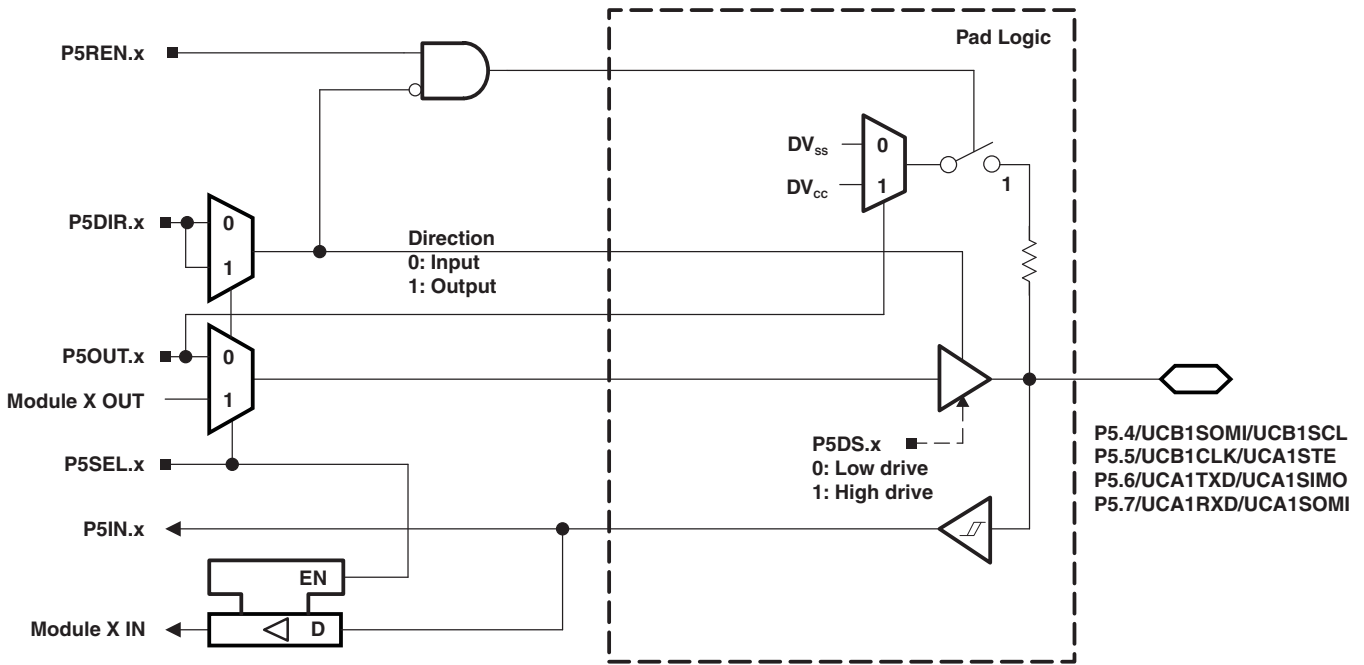
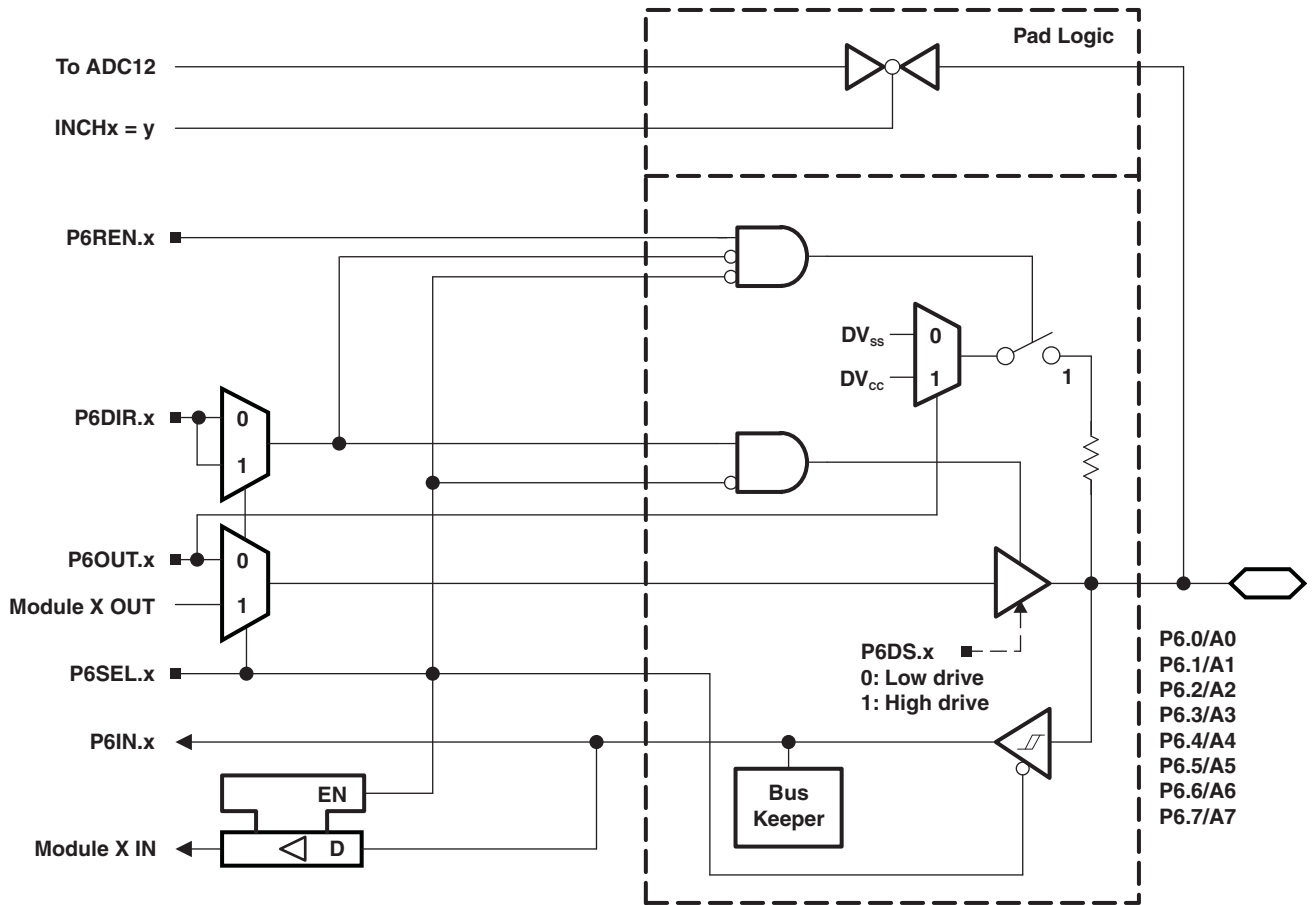


Table 48. Port P5 (P5.4 to P5.7) Pin Functions

| PIN NAME (P5.x)       | x | FUNCTION                            | CONTROL BITS/SIGNALS <sup>(1)</sup> |         |
|-----------------------|---|-------------------------------------|-------------------------------------|---------|
|                       |   |                                     | P5DIR.x                             | P5SEL.x |
| P5.4/UCB1SOMI/UCB1SCL | 4 | P5.4 (I/O)                          | I: 0; O: 1                          | 0       |
|                       |   | UCB1SOMI/UCB1SCL <sup>(2) (3)</sup> | X                                   | 1       |
| P5.5/UCB1CLK/UCA1STE  | 5 | P5.5 (I/O)                          | I: 0; O: 1                          | 0       |
|                       |   | UCB1CLK/UCA1STE <sup>(2)</sup>      | X                                   | 1       |
| P5.6/UCA1TXD/UCA1SIMO | 6 | P5.6 (I/O)                          | I: 0; O: 1                          | 0       |
|                       |   | UCA1TXD/UCA1SIMO <sup>(2)</sup>     | X                                   | 1       |
| P5.7/UCA1RXD/UCA1SOMI | 7 | P5.7 (I/O)                          | I: 0; O: 1                          | 0       |
|                       |   | UCA1RXD/UCA1SOMI <sup>(2)</sup>     | X                                   | 1       |

(1) X = Don't care  
 (2) The pin direction is controlled by the USCI module.  
 (3) If the I2C functionality is selected, the output drives only the logical 0 to V<sub>SS</sub> level.

Port P6, P6.0 to P6.7, Input/Output With Schmitt Trigger





**Table 49. Port P6 (P6.0 to P6.7) Pin Functions**

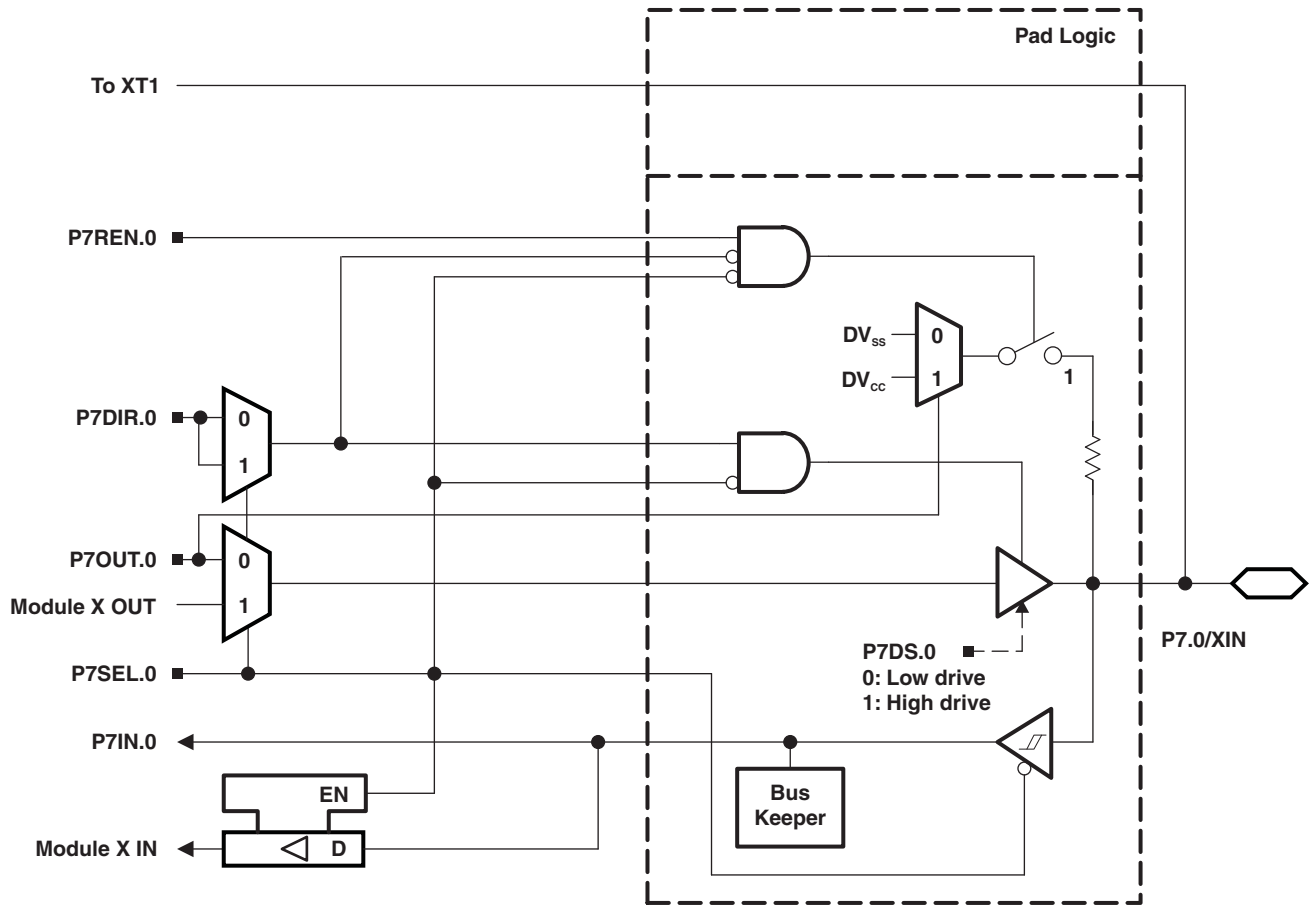
| PIN NAME (P6.x) | x | FUNCTION                  | CONTROL BITS/SIGNALS <sup>(1)</sup> |         |       |
|-----------------|---|---------------------------|-------------------------------------|---------|-------|
|                 |   |                           | P6DIR.x                             | P6SEL.x | INCHx |
| P6.0/A0         | 0 | P6.0 (I/O)                | I: 0; O: 1                          | 0       | X     |
|                 |   | A0 <sup>(2) (3)</sup>     | X                                   | X       | 0     |
| P6.1/A1         | 1 | P6.1 (I/O)                | I: 0; O: 1                          | 0       | X     |
|                 |   | A1 <sup>(2) (3)</sup>     | X                                   | X       | 1     |
| P6.2/A2         | 2 | P6.2 (I/O)                | I: 0; O: 1                          | 0       | X     |
|                 |   | A2 <sup>(2) (3)</sup>     | X                                   | X       | 2     |
| P6.3/A3         | 3 | P6.3 (I/O)                | I: 0; O: 1                          | 0       | X     |
|                 |   | A3 <sup>(2) (3)</sup>     | X                                   | X       | 3     |
| P6.4/A4         | 4 | P6.4 (I/O)                | I: 0; O: 1                          | 0       | X     |
|                 |   | A4 <sup>(2) (3)</sup>     | X                                   | X       | 4     |
| P6.5/A5         | 5 | P6.5 (I/O)                | I: 0; O: 1                          | 0       | X     |
|                 |   | A5 <sup>(1) (2) (3)</sup> | X                                   | X       | 5     |
| P6.6/A6         | 6 | P6.6 (I/O)                | I: 0; O: 1                          | 0       | X     |
|                 |   | A6 <sup>(2) (3)</sup>     | X                                   | X       | 6     |
| P6.7/A7         | 7 | P6.7 (I/O)                | I: 0; O: 1                          | 0       | X     |
|                 |   | A7 <sup>(2) (3)</sup>     | X                                   | X       | 7     |

(1) X = Don't care

(2) Setting the P6SEL.x bit disables the output driver as well as the input Schmitt trigger to prevent parasitic cross currents when applying analog signals.

(3) The ADC12\_A channel Ax is connected internally to AV<sub>SS</sub> if not selected via the respective INCHx bits.

Port P7, P7.0, Input/Output With Schmitt Trigger



Port P7, P7.1, Input/Output With Schmitt Trigger

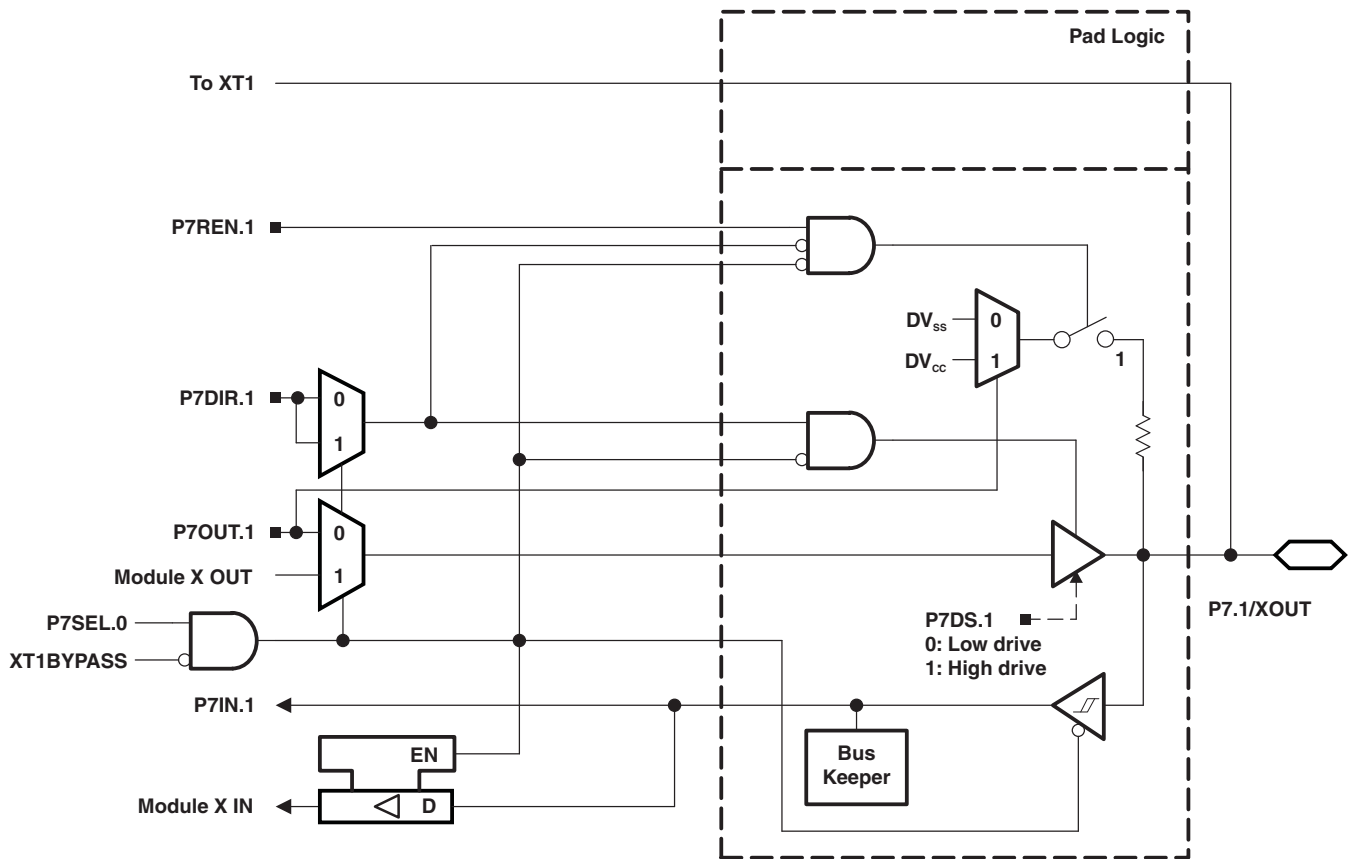


Table 50. Port P7 (P7.0 and P7.1) Pin Functions

| PIN NAME (P7.x) | x | FUNCTION                         | CONTROL BITS/SIGNALS <sup>(1)</sup> |         |         |           |
|-----------------|---|----------------------------------|-------------------------------------|---------|---------|-----------|
|                 |   |                                  | P7DIR.x                             | P7SEL.0 | P7SEL.1 | XT1BYPASS |
| P7.0/XIN        | 0 | P7.0 (I/O)                       | I: 0; O: 1                          | 0       | X       | X         |
|                 |   | XIN crystal mode <sup>(2)</sup>  | X                                   | 1       | X       | 0         |
|                 |   | XIN bypass mode <sup>(2)</sup>   | X                                   | 1       | X       | 1         |
| P7.1/XOUT       | 1 | P7.1 (I/O)                       | I: 0; O: 1                          | 0       | X       | X         |
|                 |   | XOUT crystal mode <sup>(3)</sup> | X                                   | 1       | X       | 0         |
|                 |   | P7.1 (I/O) <sup>(3)</sup>        | X                                   | 1       | X       | 1         |

- (1) X = Don't care
- (2) Setting P7SEL.0 causes the general-purpose I/O to be disabled. Pending the setting of XT1BYPASS, P7.0 is configured for crystal mode or bypass mode.
- (3) Setting P7SEL.0 causes the general-purpose I/O to be disabled in crystal mode. When using bypass mode, P7.1 can be used as general-purpose I/O.

Port P7, P7.2 and P7.3, Input/Output With Schmitt Trigger

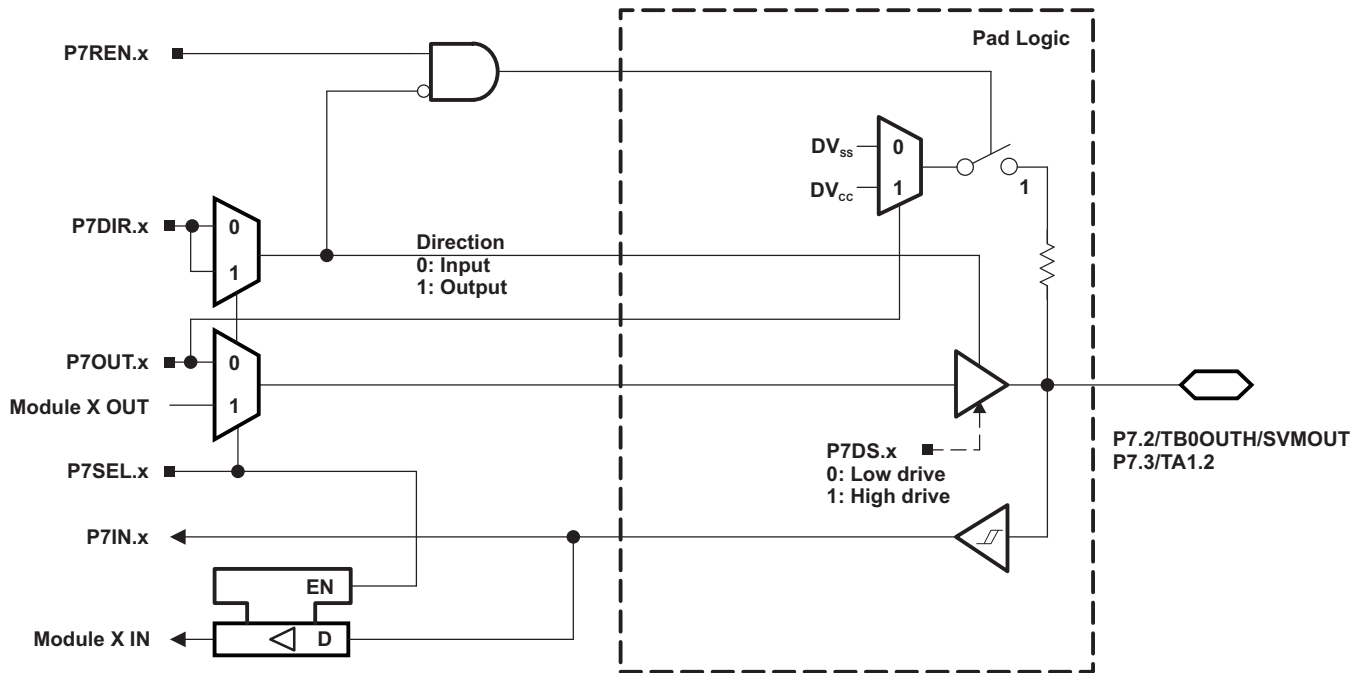


Table 51. Port P7 (P7.2 and P7.3) Pin Functions

| PIN NAME (P7.x)     | x | FUNCTION   | CONTROL BITS/SIGNALS |         |
|---------------------|---|------------|----------------------|---------|
|                     |   |            | P7DIR.x              | P7SEL.x |
| P7.2/TB0OUTH/SVMOUT | 2 | P7.2 (I/O) | I: 0; O: 1           | 0       |
|                     |   | TB0OUTH    | 0                    | 1       |
|                     |   | SVMOUT     | 1                    | 1       |
| P7.3/TA1.2          | 3 | P7.3 (I/O) | I: 0; O: 1           | 0       |
|                     |   | TA1.CCI2B  | 0                    | 1       |
|                     |   | TA1.2      | 1                    | 1       |

Port P7, P7.4 to P7.7, Input/Output With Schmitt Trigger

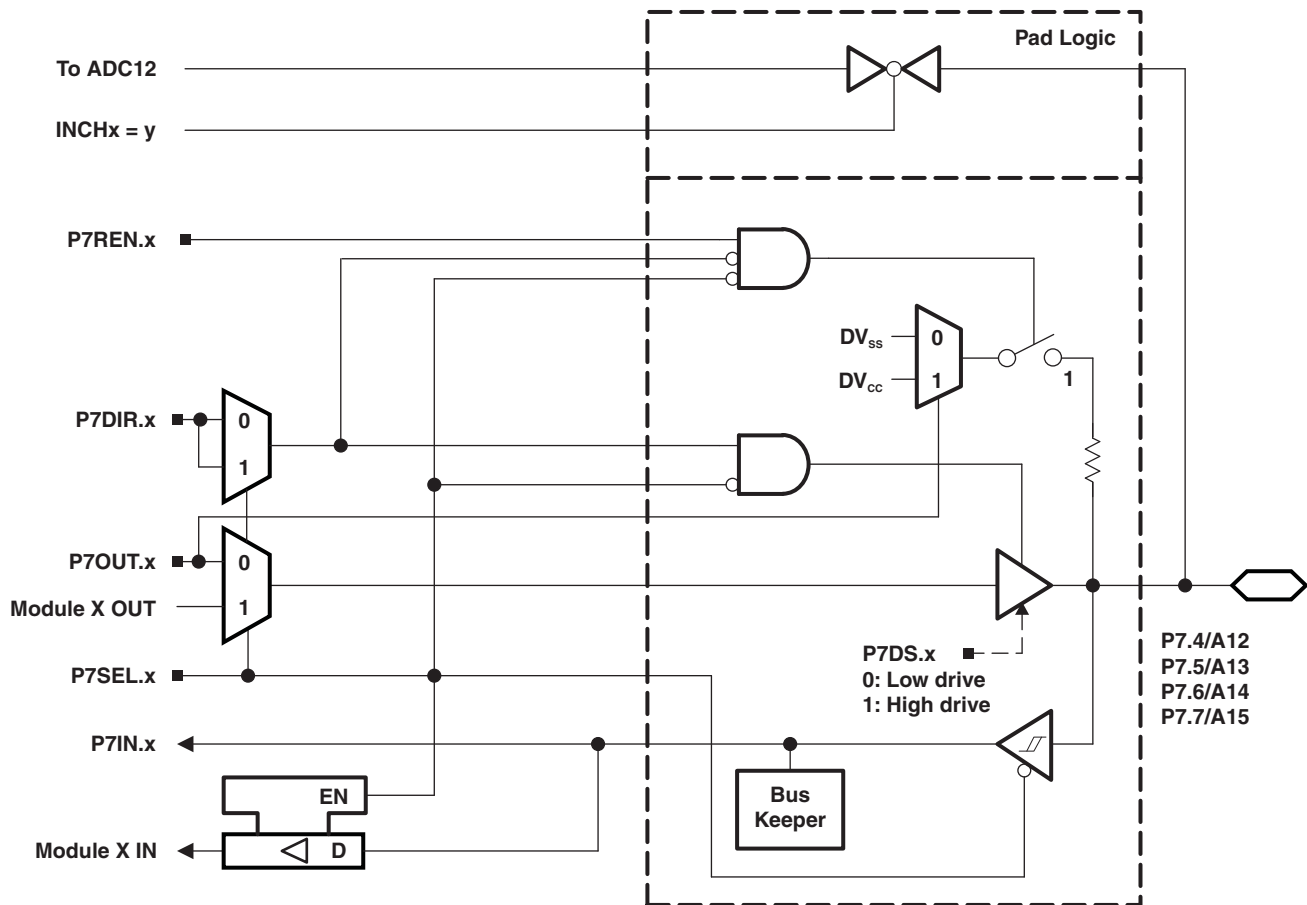


Table 52. Port P7 (P7.4 to P7.7) Pin Functions

| PIN NAME (P7.x) | x | FUNCTION               | CONTROL BITS/SIGNALS <sup>(1)</sup> |         |       |
|-----------------|---|------------------------|-------------------------------------|---------|-------|
|                 |   |                        | P7DIR.x                             | P7SEL.x | INCHx |
| P7.4/A12        | 4 | P7.4 (I/O)             | I: 0; O: 1                          | 0       | X     |
|                 |   | A12 <sup>(2) (3)</sup> | X                                   | X       | 12    |
| P7.5/A13        | 5 | P7.5 (I/O)             | I: 0; O: 1                          | 0       | X     |
|                 |   | A13 <sup>(4) (5)</sup> | X                                   | X       | 13    |
| P7.6/A14        | 6 | P7.6 (I/O)             | I: 0; O: 1                          | 0       | X     |
|                 |   | A14 <sup>(4) (5)</sup> | X                                   | X       | 14    |
| P7.7/A15        | 7 | P7.7 (I/O)             | I: 0; O: 1                          | 0       | X     |
|                 |   | A15 <sup>(4) (5)</sup> | X                                   | X       | 15    |

- (1) X = Don't care
- (2) Setting the P7SEL.x bit disables the output driver as well as the input Schmitt trigger to prevent parasitic cross currents when applying analog signals.
- (3) The ADC12\_A channel Ax is connected internally to AV<sub>SS</sub> if not selected via the respective INCHx bits.
- (4) Setting the P7SEL.x bit disables the output driver as well as the input Schmitt trigger to prevent parasitic cross currents when applying analog signals.
- (5) The ADC12\_A channel Ax is connected internally to AV<sub>SS</sub> if not selected via the respective INCHx bits.

Port P8, P8.0 to P8.7, Input/Output With Schmitt Trigger

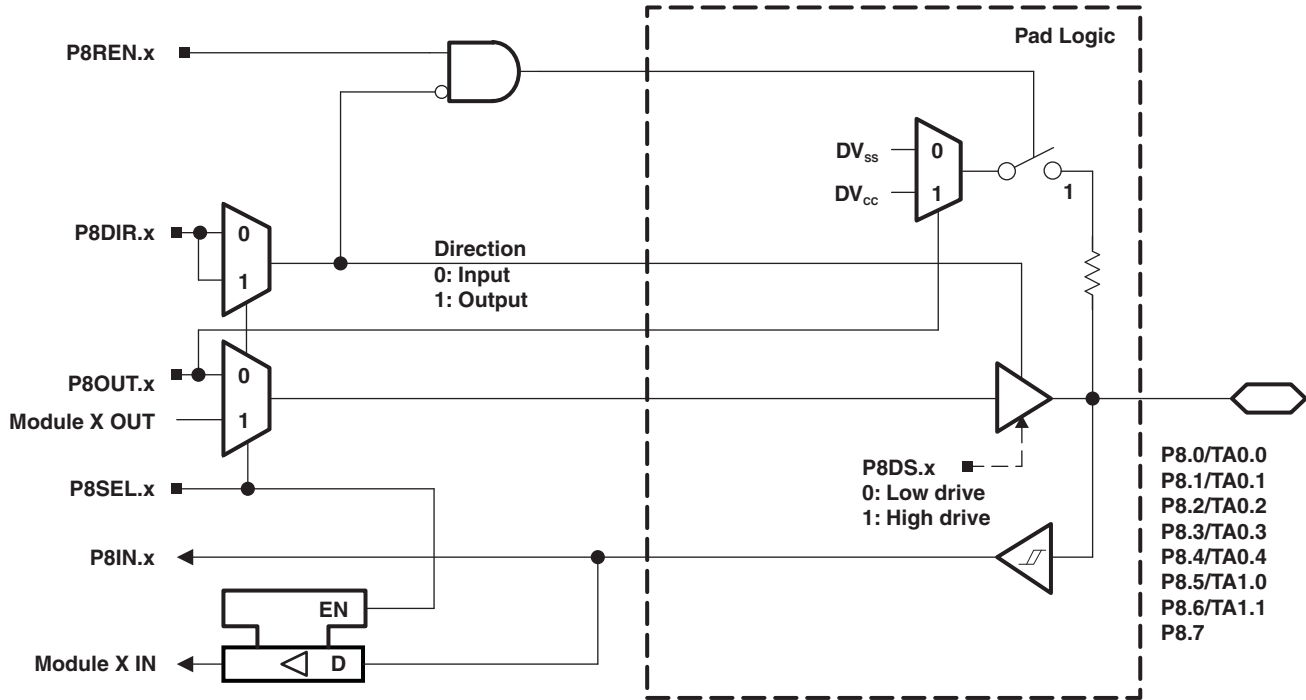


Table 53. Port P8 (P8.0 to P8.7) Pin Functions

| PIN NAME (P8.x) | x | FUNCTION   | CONTROL BITS/SIGNALS |         |
|-----------------|---|------------|----------------------|---------|
|                 |   |            | P8DIR.x              | P8SEL.x |
| P8.0/TA0.0      | 0 | P8.0 (I/O) | I: 0; O: 1           | 0       |
|                 |   | TA0.CCI0B  | 0                    | 1       |
|                 |   | TA0.0      | 1                    | 1       |
| P8.1/TA0.1      | 1 | P8.1 (I/O) | I: 0; O: 1           | 0       |
|                 |   | TA0.CCI1B  | 0                    | 1       |
|                 |   | TA0.1      | 1                    | 1       |
| P8.2/TA0.2      | 2 | P8.2 (I/O) | I: 0; O: 1           | 0       |
|                 |   | TA0.CCI2B  | 0                    | 1       |
|                 |   | TA0.2      | 1                    | 1       |
| P8.3/TA0.3      | 3 | P8.3 (I/O) | I: 0; O: 1           | 0       |
|                 |   | TA0.CCI3B  | 0                    | 1       |
|                 |   | TA0.3      | 1                    | 1       |
| P8.4/TA0.4      | 4 | P8.4 (I/O) | I: 0; O: 1           | 0       |
|                 |   | TA0.CCI4B  | 0                    | 1       |
|                 |   | TA0.4      | 1                    | 1       |
| P8.5/TA1.0      | 5 | P8.5 (I/O) | I: 0; O: 1           | 0       |
|                 |   | TA1.CCI0B  | 0                    | 1       |
|                 |   | TA1.0      | 1                    | 1       |
| P8.6/TA1.1      | 6 | P8.6 (I/O) | I: 0; O: 1           | 0       |
|                 |   | TA1.CCI1B  | 0                    | 1       |
|                 |   | TA1.1      | 1                    | 1       |
| P8.7            | 7 | P8.7 (I/O) | I: 0; O: 1           | 0       |

Port P9, P9.0 to P9.7, Input/Output With Schmitt Trigger

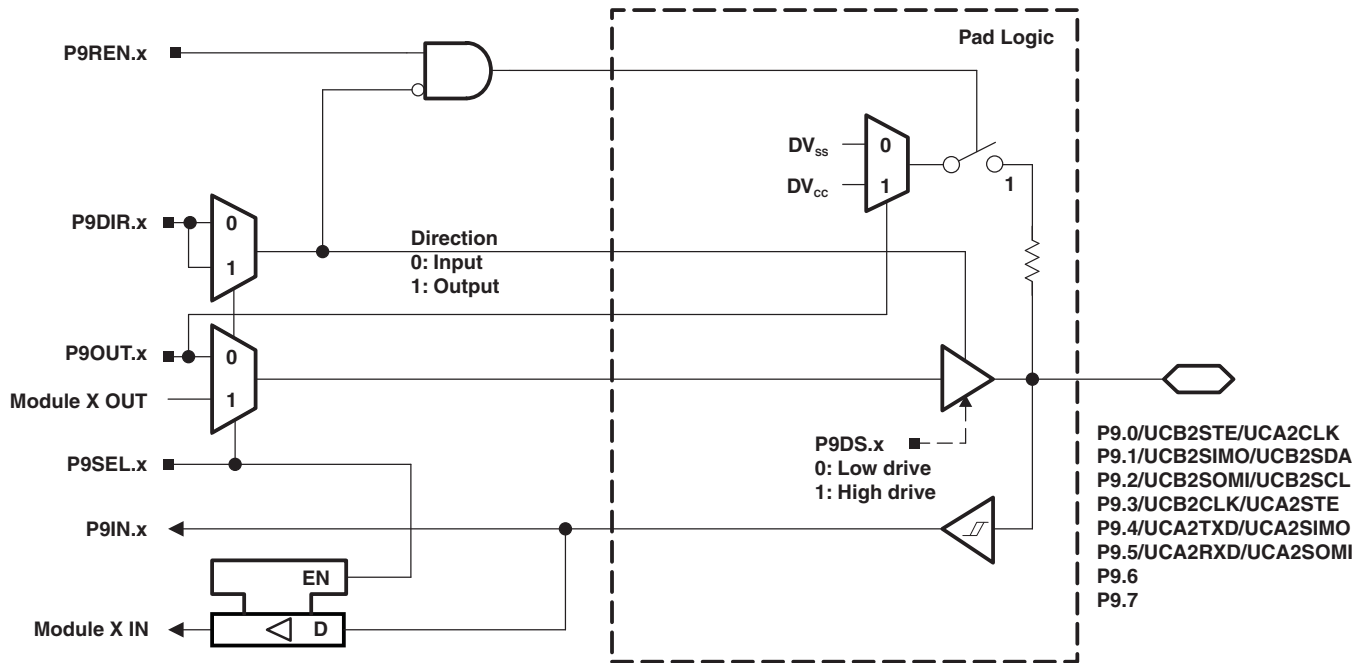


Table 54. Port P9 (P9.0 to P9.7) Pin Functions

| PIN NAME (P9.x)       | x | FUNCTION                            | CONTROL BITS/SIGNALS <sup>(1)</sup> |         |
|-----------------------|---|-------------------------------------|-------------------------------------|---------|
|                       |   |                                     | P9DIR.x                             | P9SEL.x |
| P9.0/UCB2STE/UCA2CLK  | 0 | P9.0 (I/O)                          | I: 0; O: 1                          | 0       |
|                       |   | UCB2STE/UCA2CLK <sup>(2) (3)</sup>  | X                                   | 1       |
| P9.1/UCB2SIMO/UCB2SDA | 1 | P9.1 (I/O)                          | I: 0; O: 1                          | 0       |
|                       |   | UCB2SIMO/UCB2SDA <sup>(2) (4)</sup> | X                                   | 1       |
| P9.2/UCB2SOMI/UCB2SCL | 2 | P9.2 (I/O)                          | I: 0; O: 1                          | 0       |
|                       |   | UCB2SOMI/UCB2SCL <sup>(2) (4)</sup> | X                                   | 1       |
| P9.3/UCB2CLK/UCA2STE  | 3 | P9.3 (I/O)                          | I: 0; O: 1                          | 0       |
|                       |   | UCB2CLK/UCA2STE <sup>(2)</sup>      | X                                   | 1       |
| P9.4/UCA2TXD/UCA2SIMO | 4 | P9.4 (I/O)                          | I: 0; O: 1                          | 0       |
|                       |   | UCA2TXD/UCA2SIMO <sup>(2)</sup>     | X                                   | 1       |
| P9.5/UCA2RXD/UCA2SOMI | 5 | P9.5 (I/O)                          | I: 0; O: 1                          | 0       |
|                       |   | UCA2RXD/UCA2SOMI <sup>(2)</sup>     | X                                   | 1       |
| P9.6                  | 6 | P9.6 (I/O)                          | I: 0; O: 1                          | 0       |
| P9.7                  | 7 | P9.7 (I/O)                          | I: 0; O: 1                          | 0       |

- (1) X = Don't care
- (2) The pin direction is controlled by the USCI module.
- (3) UCA2CLK function takes precedence over UCB2STE function. If the pin is required as UCA2CLK input or output, USCI A2/B2 is forced to 3-wire SPI mode if 4-wire SPI mode is selected.
- (4) If the I2C functionality is selected, the output drives only the logical 0 to V<sub>SS</sub> level.

Port P10, P10.0 to P10.7, Input/Output With Schmitt Trigger

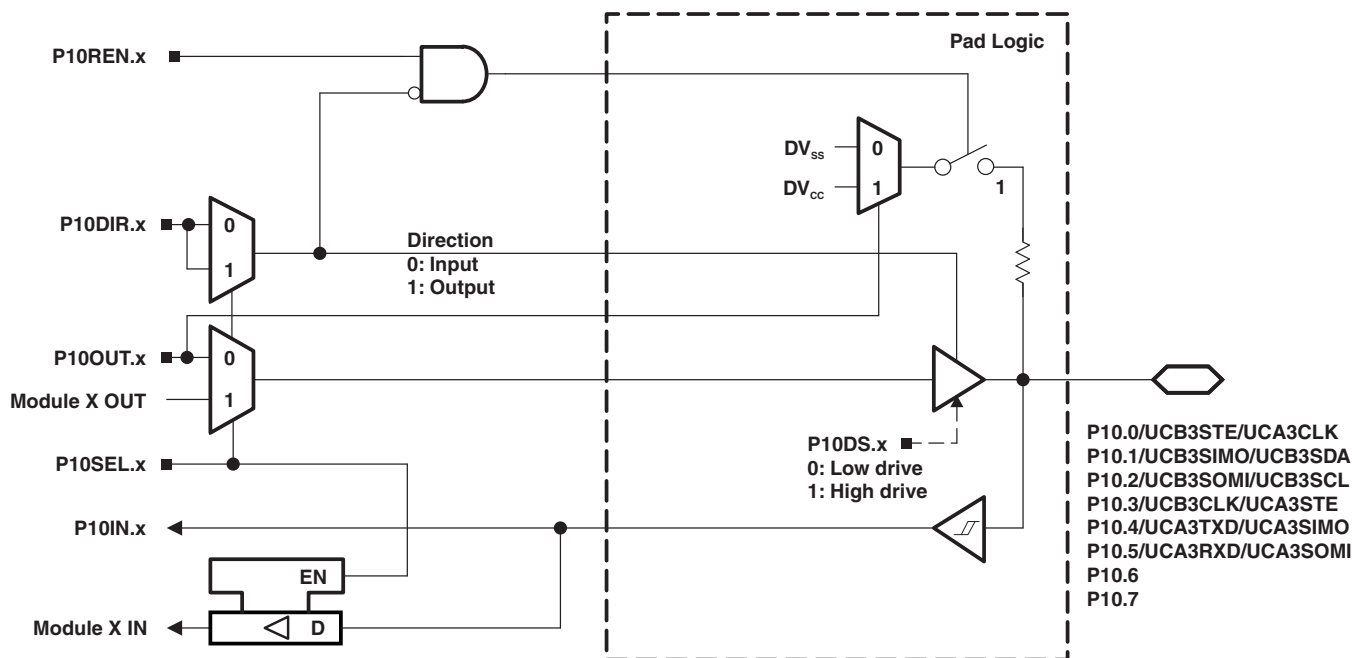


Table 55. Port P10 (P10.0 to P10.7) Pin Functions

| PIN NAME (P10.x)       | x | FUNCTION                            | CONTROL BITS/SIGNALS <sup>(1)</sup> |          |
|------------------------|---|-------------------------------------|-------------------------------------|----------|
|                        |   |                                     | P10DIR.x                            | P10SEL.x |
| P10.0/UCB3STE/UCA3CLK  | 0 | P10.0 (I/O)                         | I: 0; O: 1                          | 0        |
|                        |   | UCB3STE/UCA3CLK <sup>(2) (3)</sup>  | X                                   | 1        |
| P10.1/UCB3SIMO/UCB3SDA | 1 | P10.1 (I/O)                         | I: 0; O: 1                          | 0        |
|                        |   | UCB3SIMO/UCB3SDA <sup>(2) (4)</sup> | X                                   | 1        |
| P10.2/UCB3SOMI/UCB3SCL | 2 | P10.2 (I/O)                         | I: 0; O: 1                          | 0        |
|                        |   | UCB3SOMI/UCB3SCL <sup>(2) (4)</sup> | X                                   | 1        |
| P10.3/UCB3CLK/UCA3STE  | 3 | P10.3 (I/O)                         | I: 0; O: 1                          | 0        |
|                        |   | UCB3CLK/UCA3STE <sup>(2)</sup>      | X                                   | 1        |
| P10.4/UCA3TXD/UCA3SIMO | 4 | P10.4 (I/O)                         | I: 0; O: 1                          | 0        |
|                        |   | UCA3TXD/UCA3SIMO <sup>(2)</sup>     | X                                   | 1        |
| P10.5/UCA3RXD/UCA3SOMI | 5 | P10.5 (I/O)                         | I: 0; O: 1                          | 0        |
|                        |   | UCA3RXD/UCA3SOMI <sup>(2)</sup>     | X                                   | 1        |
| P10.6                  | 6 | P10.6 (I/O)                         | I: 0; O: 1                          | 0        |
|                        |   | Reserved <sup>(5)</sup>             | X                                   | 1        |
| P10.7                  | 7 | P10.7 (I/O)                         | I: 0; O: 1                          | 0        |
|                        |   | Reserved <sup>(5)</sup>             | x                                   | 1        |

- (1) X = Don't care
- (2) The pin direction is controlled by the USCI module.
- (3) UCA3CLK function takes precedence over UCB3STE function. If the pin is required as UCA3CLK input or output, USCI A3/B3 is forced to 3-wire SPI mode if 4-wire SPI mode is selected.
- (4) If the I2C functionality is selected, the output drives only the logical 0 to V<sub>SS</sub> level.
- (5) The secondary function on these pins are reserved for factory test purposes. Application should keep the P10SEL.x of these ports cleared to prevent potential conflicts with the application.



Port P11, P11.0 to P11.2, Input/Output With Schmitt Trigger

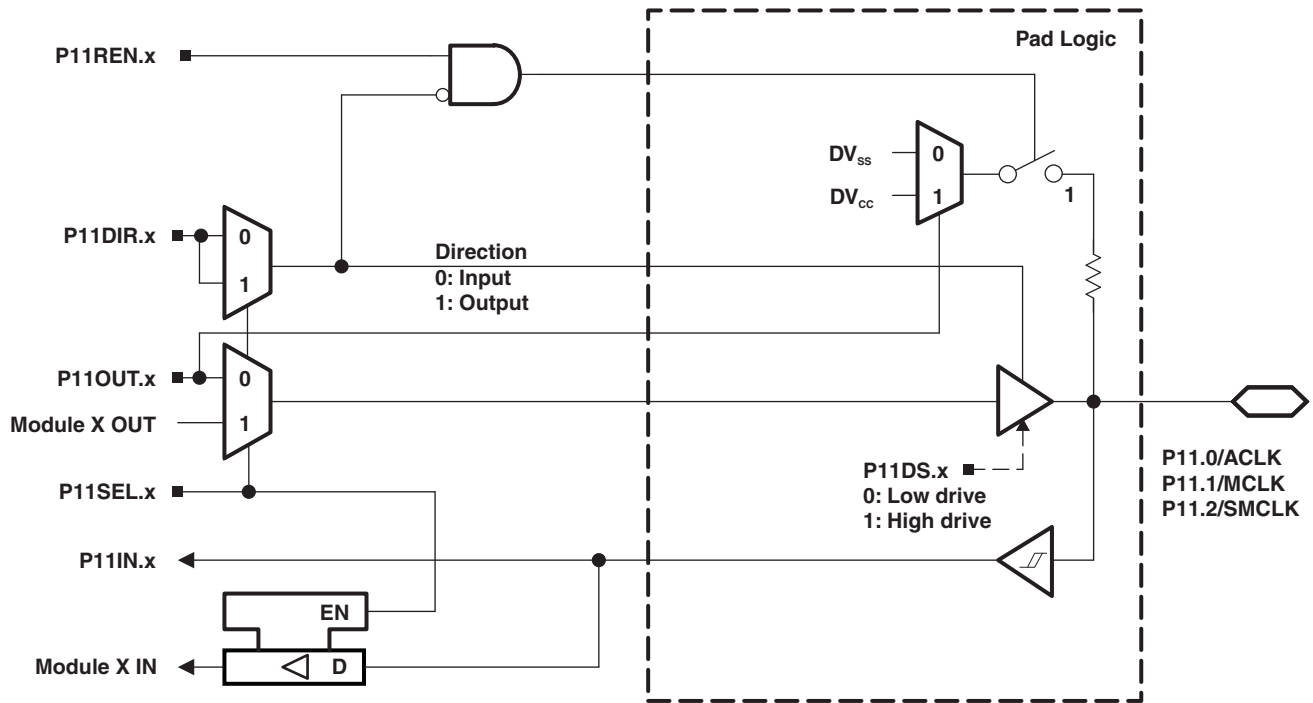
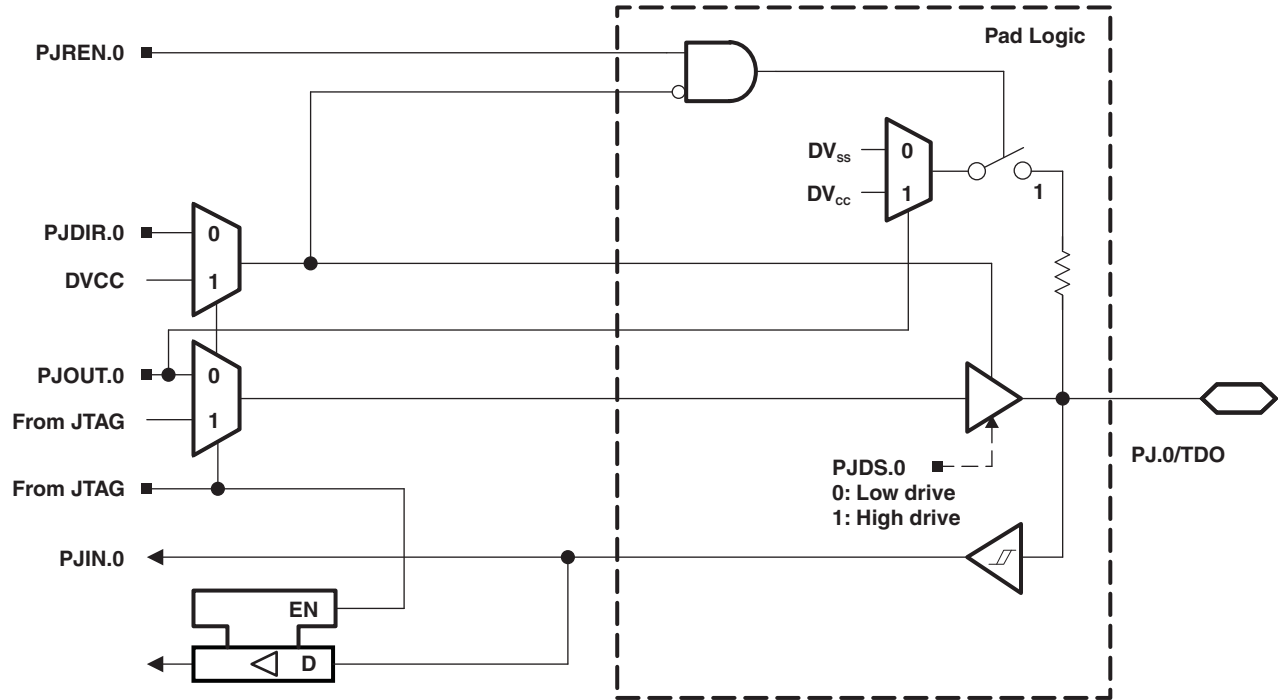


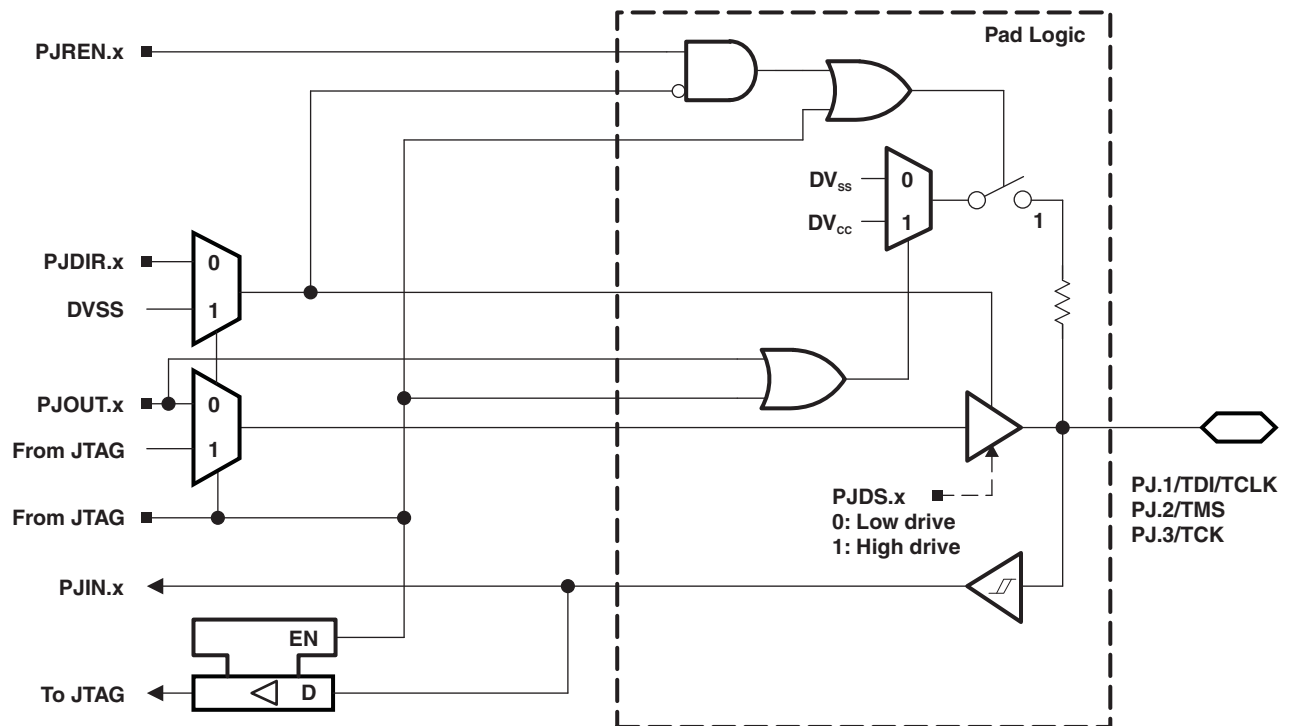
Table 56. Port P11 (P11.0 to P11.2) Pin Functions

| PIN NAME (P11.x) | x | FUNCTION    | CONTROL BITS/SIGNALS |          |
|------------------|---|-------------|----------------------|----------|
|                  |   |             | P11DIR.x             | P11SEL.x |
| P11.0/ACLK       | 0 | P11.0 (I/O) | I: 0; O: 1           | 0        |
|                  |   | ACLK        | 1                    | 1        |
| P11.1/MCLK       | 1 | P11.1 (I/O) | I: 0; O: 1           | 0        |
|                  |   | MCLK        | 1                    | 1        |
| P11.2/SMCLK      | 2 | P11.2 (I/O) | I: 0; O: 1           | 0        |
|                  |   | SMCLK       | 1                    | 1        |

**Port J, J.0 JTAG pin TDO, Input/Output With Schmitt Trigger or Output**



**Port J, J.1 to J.3 JTAG pins TMS, TCK, TDI/TCLK, Input/Output With Schmitt Trigger or Output**



**Table 57. Port PJ (PJ.0 to PJ.3) Pin Functions**

| PIN NAME (PJ.x) | x | FUNCTION                    | CONTROL BITS/<br>SIGNALS <sup>(1)</sup> |
|-----------------|---|-----------------------------|---|
|                 |   |                             | PJDIR.x                                 |
| PJ.0/TDO        | 0 | PJ.0 (I/O) <sup>(2)</sup>   | I: 0; O: 1                              |
|                 |   | TDO <sup>(3)</sup>          | X                                       |
| PJ.1/TDI/TCLK   | 1 | PJ.1 (I/O) <sup>(2)</sup>   | I: 0; O: 1                              |
|                 |   | TDI/TCLK <sup>(3) (4)</sup> | X                                       |
| PJ.2/TMS        | 2 | PJ.2 (I/O) <sup>(2)</sup>   | I: 0; O: 1                              |
|                 |   | TMS <sup>(3) (4)</sup>      | X                                       |
| PJ.3/TCK        | 3 | PJ.3 (I/O) <sup>(2)</sup>   | I: 0; O: 1                              |
|                 |   | TCK <sup>(3) (4)</sup>      | X                                       |

(1) X = Don't care

(2) Default condition

(3) The pin direction is controlled by the JTAG module.

(4) In JTAG mode, pullups are activated automatically on TMS, TCK, and TDI/TCLK. PJREN.x are do not care.

## TLV (Device Descriptor) Structures

Table 58 lists the complete contents of the device descriptor tag-length-value (TLV) structure.

**Table 58. Device Descriptor Table<sup>(1)</sup>**

|                              | Description                           | Address               | Size bytes | 'F5438     | 'F5437     | 'F5436     | 'F5435     | 'F5419     | 'F5418     |
|------------------------------|---------------------------------------|-----------------------|------------|------------|------------|------------|------------|------------|------------|
|                              |                                       |                       |            | Value      | Value      | Value      | Value      | Value      | Value      |
| <b>Info Block</b>            | Info length                           | 01A00h                | 1          | 06h        | 06h        | 06h        | 06h        | 06h        | 06h        |
|                              | CRC length                            | 01A01h                | 1          | 06h        | 06h        | 06h        | 06h        | 06h        | 06h        |
|                              | CRC value                             | 01A02h                | 2          | per unit   | per unit   | per unit   | per unit   | per unit   | per unit   |
|                              | Device ID                             | 01A04h                | 1          | 54h        | 54h        | 54h        | 54h        | 54h        | 54h        |
|                              | Device ID                             | 01A05h                | 1          | 38h        | 37h        | 36h        | 35h        | 19h        | 18h        |
|                              | Hardware revision                     | 01A06h                | 1          | per unit   | per unit   | per unit   | per unit   | per unit   | per unit   |
|                              | Firmware revision                     | 01A07h                | 1          | per unit   | per unit   | per unit   | per unit   | per unit   | per unit   |
|                              | <b>Die Record</b>                     | Die Record Tag        | 01A08h     | 1          | 08h        | 08h        | 08h        | 08h        | 08h        |
| Die Record length            |                                       | 01A09h                | 1          | 0Ah        | 0Ah        | 0Ah        | 0Ah        | 0Ah        | 0Ah        |
| Lot/Wafer ID                 |                                       | 01A0Ah                | 4          | per unit   | per unit   | per unit   | per unit   | per unit   | per unit   |
| Die X position               |                                       | 01A0Eh                | 2          | per unit   | per unit   | per unit   | per unit   | per unit   | per unit   |
| Die Y position               |                                       | 01A10h                | 2          | per unit   | per unit   | per unit   | per unit   | per unit   | per unit   |
| Test results                 |                                       | 01A12h                | 2          | per unit   | per unit   | per unit   | per unit   | per unit   | per unit   |
| <b>ADC12 Calibration</b>     |                                       | ADC12 Calibration Tag | 01A14h     | 1          | 10h        | 10h        | 10h        | 10h        | 10h        |
|                              | ADC12 Calibration length              | 01A15h                | 1          | 10h        | 10h        | 10h        | 10h        | 10h        | 10h        |
|                              | ADC Gain Factor                       | 01A16h                | 2          | per unit   | per unit   | per unit   | per unit   | per unit   | per unit   |
|                              | ADC Offset                            | 01A18h                | 2          | per unit   | per unit   | per unit   | per unit   | per unit   | per unit   |
|                              | ADC 1.5-V Reference Factor            | 01A1Ah                | 2          | per unit   | per unit   | per unit   | per unit   | per unit   | per unit   |
|                              | ADC 1.5-V Reference Temp. Sensor 30°C | 01A1Ch                | 2          | per unit   | per unit   | per unit   | per unit   | per unit   | per unit   |
|                              | ADC 1.5-V Reference Temp. Sensor 85°C | 01A1Eh                | 2          | per unit   | per unit   | per unit   | per unit   | per unit   | per unit   |
|                              | ADC 2.5-V Reference Factor            | 01A20h                | 2          | per unit   | per unit   | per unit   | per unit   | per unit   | per unit   |
|                              | ADC 2.5-V Reference Temp. Sensor 30°C | 01A22h                | 2          | per unit   | per unit   | per unit   | per unit   | per unit   | per unit   |
|                              | ADC 2.5-V Reference Temp. Sensor 85°C | 01A24h                | 2          | per unit   | per unit   | per unit   | per unit   | per unit   | per unit   |
| <b>Peripheral Descriptor</b> | Peripheral Descriptor Tag             | 01A26h                | 1          | 02h        | 02h        | 02h        | 02h        | 02h        | 02h        |
|                              | Peripheral Descriptor Length          | 01A27h                | 1          | 5Dh        | 55h        | 5Eh        | 56h        | 5Dh        | 55h        |
|                              | Memory 1                              |                       | 2          | 08h<br>8Ah | 08h<br>8Ah | 08h<br>8Ah | 08h<br>8Ah | 08h<br>8Ah | 08h<br>8Ah |
|                              | Memory 2                              |                       | 2          | 0Ch<br>86h | 0Ch<br>86h | 0Ch<br>86h | 0Ch<br>86h | 0Ch<br>86h | 0Ch<br>86h |
|                              | Memory 3                              |                       | 2          | 0Eh<br>30h | 0Eh<br>30h | 0Eh<br>30h | 0Eh<br>30h | 0Eh<br>30h | 0Eh<br>30h |

(1) NA = Not applicable

**Table 58. Device Descriptor Table <sup>(1)</sup> (continued)**

|  | Description      | Address | Size bytes | 'F5438     | 'F5437     | 'F5436     | 'F5435     | 'F5419     | 'F5418     |
|--|------------------|---------|------------|------------|------------|------------|------------|------------|------------|
|  |                  |         |            | Value      | Value      | Value      | Value      | Value      | Value      |
|  | Memory 4         |         | 2          | 2Eh<br>98h | 2Eh<br>98h | 2Eh<br>97h | 2Eh<br>97h | 2Eh<br>96h | 2Eh<br>96h |
|  | Memory 5         |         | 0/1        | NA         | NA         | 94h        | 94h        | NA         | NA         |
|  | delimiter        |         | 1          | 00h        | 00h        | 00h        | 00h        | 00h        | 00h        |
|  | Peripheral count |         | 1          | 1Fh        | 1Bh        | 1Fh        | 1Fh        | 1Fh        | 1Bh        |
|  | MSP430CPUXV2     |         | 2          | 00h<br>23h | 00h<br>23h | 00h<br>23h | 00h<br>23h | 00h<br>23h | 00h<br>23h |
|  | SBW              |         | 2          | 00h<br>0Fh | 00h<br>0Fh | 00h<br>0Fh | 00h<br>0Fh | 00h<br>0Fh | 00h<br>0Fh |
|  | EEM-8            |         | 2          | 00h<br>05h | 00h<br>05h | 00h<br>05h | 00h<br>05h | 00h<br>05h | 00h<br>05h |
|  | TI BSL           |         | 2          | 00h<br>FCh | 00h<br>FCh | 00h<br>FCh | 00h<br>FCh | 00h<br>FCh | 00h<br>FCh |
|  | Package          |         | 2          | 00h<br>1Fh | 00h<br>1Fh | 00h<br>1Fh | 00h<br>1Fh | 00h<br>1Fh | 00h<br>1Fh |
|  | SFR              |         | 2          | 10h<br>41h | 10h<br>41h | 10h<br>41h | 10h<br>41h | 10h<br>41h | 10h<br>41h |
|  | PMM              |         | 2          | 02h<br>30h | 02h<br>30h | 02h<br>30h | 02h<br>30h | 02h<br>30h | 02h<br>30h |
|  | FCTL             |         | 2          | 02h<br>38h | 02h<br>38h | 02h<br>38h | 02h<br>38h | 02h<br>38h | 02h<br>38h |
|  | CRC16            |         | 2          | 01h<br>3Dh | 01h<br>3Dh | 01h<br>3Dh | 01h<br>3Dh | 01h<br>3Dh | 01h<br>3Dh |
|  | RAMCTL           |         | 2          | 00h<br>44h | 00h<br>44h | 00h<br>44h | 00h<br>44h | 00h<br>44h | 00h<br>44h |
|  | WDT_A            |         | 2          | 00h<br>40h | 00h<br>40h | 00h<br>40h | 00h<br>40h | 00h<br>40h | 00h<br>40h |
|  | UCS              |         | 2          | 01h<br>48h | 01h<br>48h | 01h<br>48h | 01h<br>48h | 01h<br>48h | 01h<br>48h |
|  | SYS              |         | 2          | 02h<br>42h | 02h<br>42h | 02h<br>42h | 02h<br>42h | 02h<br>42h | 02h<br>42h |
|  | Port 1/2         |         | 2          | 08h<br>51h | 08h<br>51h | 08h<br>51h | 08h<br>51h | 08h<br>51h | 08h<br>51h |
|  | Port 3/4         |         | 2          | 02h<br>52h | 02h<br>52h | 02h<br>52h | 02h<br>52h | 02h<br>52h | 02h<br>52h |
|  | Port 5/6         |         | 2          | 02h<br>53h | 02h<br>53h | 02h<br>53h | 02h<br>53h | 02h<br>53h | 02h<br>53h |
|  | Port 7/8         |         | 2          | 02h<br>54h | 02h<br>54h | 02h<br>54h | 02h<br>54h | 02h<br>54h | 02h<br>54h |
|  | Port 9/10        |         | 2          | 02h<br>55h | NA         | 02h<br>55h | NA         | 02h<br>55h | NA         |
|  | Port 11/12       |         | 2          | 02h<br>56h | NA         | 02h<br>56h | NA         | 02h<br>56h | NA         |
|  | JTAG             |         | 2          | 08h<br>5Fh | 0Ch<br>5F  | 08h<br>5Fh | 0Ch<br>5F  | 08h<br>5Fh | 0Ch<br>5F  |
|  | TA0              |         | 2          | 02h<br>62h | 02h<br>62h | 02h<br>62h | 02h<br>62h | 02h<br>62h | 02h<br>62h |
|  | TA1              |         | 2          | 04h<br>61h | 04h<br>61h | 04h<br>61h | 04h<br>61h | 04h<br>61h | 04h<br>61h |
|  | TB0              |         | 2          | 04h<br>67h | 04h<br>67h | 04h<br>67h | 04h<br>67h | 04h<br>67h | 04h<br>67h |
|  | RTC              |         | 2          | 0Eh<br>68h | 0Eh<br>68h | 0Eh<br>68h | 0Eh<br>68h | 0Eh<br>68h | 0Eh<br>68h |

**Table 58. Device Descriptor Table <sup>(1)</sup> (continued)**

|                   | Description   | Address | Size bytes | 'F5438     | 'F5437     | 'F5436     | 'F5435     | 'F5419     | 'F5418     |
|-------------------|---------------|---------|------------|------------|------------|------------|------------|------------|------------|
|                   |               |         |            | Value      | Value      | Value      | Value      | Value      | Value      |
|                   | MPY32         |         | 2          | 02h<br>85h | 02h<br>85h | 02h<br>85h | 02h<br>85h | 02h<br>85h | 02h<br>85h |
|                   | DMA-3         |         | 2          | 04h<br>47h | 04h<br>47h | 04h<br>47h | 04h<br>47h | 04h<br>47h | 04h<br>47h |
|                   | USCI_A/B      |         | 2          | 0Ch<br>90h | 0Ch<br>90h | 0Ch<br>90h | 0Ch<br>90h | 0Ch<br>90h | 0Ch<br>90h |
|                   | USCI_A/B      |         | 2          | 04h<br>90h | 04h<br>90h | 04h<br>90h | 04h<br>90h | 04h<br>90h | 04h<br>90h |
|                   | USCI_A/B      |         | 2          | 04h<br>90h | NA         | 04h<br>90h | NA         | 04h<br>90h | NA         |
|                   | USCI_A/B      |         | 2          | 04h<br>90h | NA         | 04h<br>90h | NA         | 04h<br>90h | NA         |
|                   | ADC12_A       |         | 2          | 08h<br>D0h | 10h<br>D0h | 08h<br>D0h | 10h<br>D0h | 08h<br>D0h | 10h<br>D0h |
| <b>Interrupts</b> | TB0.CCIFG0    |         | 1          | 64h        | 64h        | 64h        | 64h        | 64h        | 64h        |
|                   | TB0.CCIFG1..6 |         | 1          | 65h        | 65h        | 65h        | 65h        | 65h        | 65h        |
|                   | WDTIFG        |         | 1          | 40h        | 40h        | 40h        | 40h        | 40h        | 40h        |
|                   | USCI_A0       |         | 1          | 90h        | 90h        | 90h        | 90h        | 90h        | 90h        |
|                   | USCI_B0       |         | 1          | 91h        | 91h        | 91h        | 91h        | 91h        | 91h        |
|                   | ADC12_A       |         | 1          | D0h        | D0h        | D0h        | D0h        | D0h        | D0h        |
|                   | TA0.CCIFG0    |         | 1          | 60h        | 60h        | 60h        | 60h        | 60h        | 60h        |
|                   | TA0.CCIFG1..4 |         | 1          | 61h        | 61h        | 61h        | 61h        | 61h        | 61h        |
|                   | USCI_A2       |         | 1          | 94h        | 01h        | 94h        | 01h        | 94h        | 01h        |
|                   | USCI_B2       |         | 1          | 95h        | 01h        | 95h        | 01h        | 95h        | 01h        |
|                   | DMA           |         | 1          | 46h        | 46h        | 46h        | 46h        | 46h        | 46h        |
|                   | TA1.CCIFG0    |         | 1          | 62h        | 62h        | 62h        | 62h        | 62h        | 62h        |
|                   | TA1.CCIFG1..2 |         | 1          | 63h        | 63h        | 63h        | 63h        | 63h        | 63h        |
|                   | P1            |         | 1          | 50h        | 50h        | 50h        | 50h        | 50h        | 50h        |
|                   | USCI_A1       |         | 1          | 92h        | 92h        | 92h        | 92h        | 92h        | 92h        |
|                   | USCI_B1       |         | 1          | 93h        | 93h        | 93h        | 93h        | 93h        | 93h        |
|                   | USCI_A3       |         | 1          | 96h        | 01h        | 96h        | 01h        | 96h        | 01h        |
|                   | USCI_B3       |         | 1          | 97h        | 01h        | 97h        | 01h        | 97h        | 01h        |
|                   | P2            |         | 1          | 51h        | 51h        | 51h        | 51h        | 51h        | 51h        |
|                   | RTC_A         |         | 1          | 68h        | 68h        | 68h        | 68h        | 68h        | 68h        |
|                   | delimiter     |         | 1          | 00h        | 00h        | 00h        | 00h        | 00h        | 00h        |

**DATA SHEET REVISION HISTORY**

| <b>REVISION</b> | <b>DESCRIPTION</b>  |
|-----------------|---|
| SLAS612         | Initial release   |
| SLAS612A        | Removed previews of MSP430F5437IZQW, MSP430F5435IZQW, MSP430F5418IZQW         |
| SLAS612B        | All A-suffix devices moved to separate data sheet ( <a href="#">SLAS655</a> ) |
| SLAS612C        | Corrected base address for USCI_B3  |

**PACKAGING INFORMATION**

| Orderable Device | Status <sup>(1)</sup> | Package Type | Package Drawing | Pins | Package Qty | Eco Plan <sup>(2)</sup> | Lead/Ball Finish | MSL Peak Temp <sup>(3)</sup> |
|------------------|-----------------------|--------------|-----------------|------|-------------|-------------------------|------------------|------------------------------|
| MSP430F5418IPN   | ACTIVE                | LQFP         | PN              | 80   | 119         | Green (RoHS & no Sb/Br) | CU NIPDAU        | Level-3-260C-168 HR          |
| MSP430F5418IPNR  | ACTIVE                | LQFP         | PN              | 80   | 1000        | Green (RoHS & no Sb/Br) | CU NIPDAU        | Level-3-260C-168 HR          |
| MSP430F5419IPZ   | ACTIVE                | LQFP         | PZ              | 100  | 90          | Green (RoHS & no Sb/Br) | CU NIPDAU        | Level-3-260C-168 HR          |
| MSP430F5419IPZR  | ACTIVE                | LQFP         | PZ              | 100  | 1000        | Green (RoHS & no Sb/Br) | CU NIPDAU        | Level-3-260C-168 HR          |
| MSP430F5435IPN   | ACTIVE                | LQFP         | PN              | 80   | 119         | Green (RoHS & no Sb/Br) | CU NIPDAU        | Level-3-260C-168 HR          |
| MSP430F5435IPNR  | ACTIVE                | LQFP         | PN              | 80   | 1000        | Green (RoHS & no Sb/Br) | CU NIPDAU        | Level-3-260C-168 HR          |
| MSP430F5436IPZ   | ACTIVE                | LQFP         | PZ              | 100  | 90          | Green (RoHS & no Sb/Br) | CU NIPDAU        | Level-3-260C-168 HR          |
| MSP430F5436IPZR  | ACTIVE                | LQFP         | PZ              | 100  | 1000        | Green (RoHS & no Sb/Br) | CU NIPDAU        | Level-3-260C-168 HR          |
| MSP430F5437IPN   | ACTIVE                | LQFP         | PN              | 80   | 119         | Green (RoHS & no Sb/Br) | CU NIPDAU        | Level-3-260C-168 HR          |
| MSP430F5437IPNR  | ACTIVE                | LQFP         | PN              | 80   | 1000        | Green (RoHS & no Sb/Br) | CU NIPDAU        | Level-3-260C-168 HR          |
| MSP430F5438IPN   | OBSOLETE              | LQFP         | PN              | 80   |             | TBD                     | Call TI          | Call TI                      |
| MSP430F5438IPZ   | ACTIVE                | LQFP         | PZ              | 100  | 90          | Green (RoHS & no Sb/Br) | CU NIPDAU        | Level-3-260C-168 HR          |
| MSP430F5438IPZR  | ACTIVE                | LQFP         | PZ              | 100  | 1000        | Green (RoHS & no Sb/Br) | CU NIPDAU        | Level-3-260C-168 HR          |

<sup>(1)</sup> The marketing status values are defined as follows:

**ACTIVE:** Product device recommended for new designs.

**LIFEBUY:** TI has announced that the device will be discontinued, and a lifetime-buy period is in effect.

**NRND:** Not recommended for new designs. Device is in production to support existing customers, but TI does not recommend using this part in a new design.

**PREVIEW:** Device has been announced but is not in production. Samples may or may not be available.

**OBSOLETE:** TI has discontinued the production of the device.

<sup>(2)</sup> Eco Plan - The planned eco-friendly classification: Pb-Free (RoHS), Pb-Free (RoHS Exempt), or Green (RoHS & no Sb/Br) - please check <http://www.ti.com/productcontent> for the latest availability information and additional product content details.

**TBD:** The Pb-Free/Green conversion plan has not been defined.

**Pb-Free (RoHS):** TI's terms "Lead-Free" or "Pb-Free" mean semiconductor products that are compatible with the current RoHS requirements for all 6 substances, including the requirement that lead not exceed 0.1% by weight in homogeneous materials. Where designed to be soldered at high temperatures, TI Pb-Free products are suitable for use in specified lead-free processes.

**Pb-Free (RoHS Exempt):** This component has a RoHS exemption for either 1) lead-based flip-chip solder bumps used between the die and package, or 2) lead-based die adhesive used between the die and leadframe. The component is otherwise considered Pb-Free (RoHS compatible) as defined above.

**Green (RoHS & no Sb/Br):** TI defines "Green" to mean Pb-Free (RoHS compatible), and free of Bromine (Br) and Antimony (Sb) based flame retardants (Br or Sb do not exceed 0.1% by weight in homogeneous material)

<sup>(3)</sup> MSL, Peak Temp. -- The Moisture Sensitivity Level rating according to the JEDEC industry standard classifications, and peak solder temperature.

**Important Information and Disclaimer:** The information provided on this page represents TI's knowledge and belief as of the date that it is provided. TI bases its knowledge and belief on information provided by third parties, and makes no representation or warranty as to the accuracy of such information. Efforts are underway to better integrate information from third parties. TI has taken and continues to take reasonable steps to provide representative and accurate information but may not have conducted destructive testing or chemical analysis on incoming materials and chemicals. TI and TI suppliers consider certain information to be proprietary, and thus CAS numbers and other limited

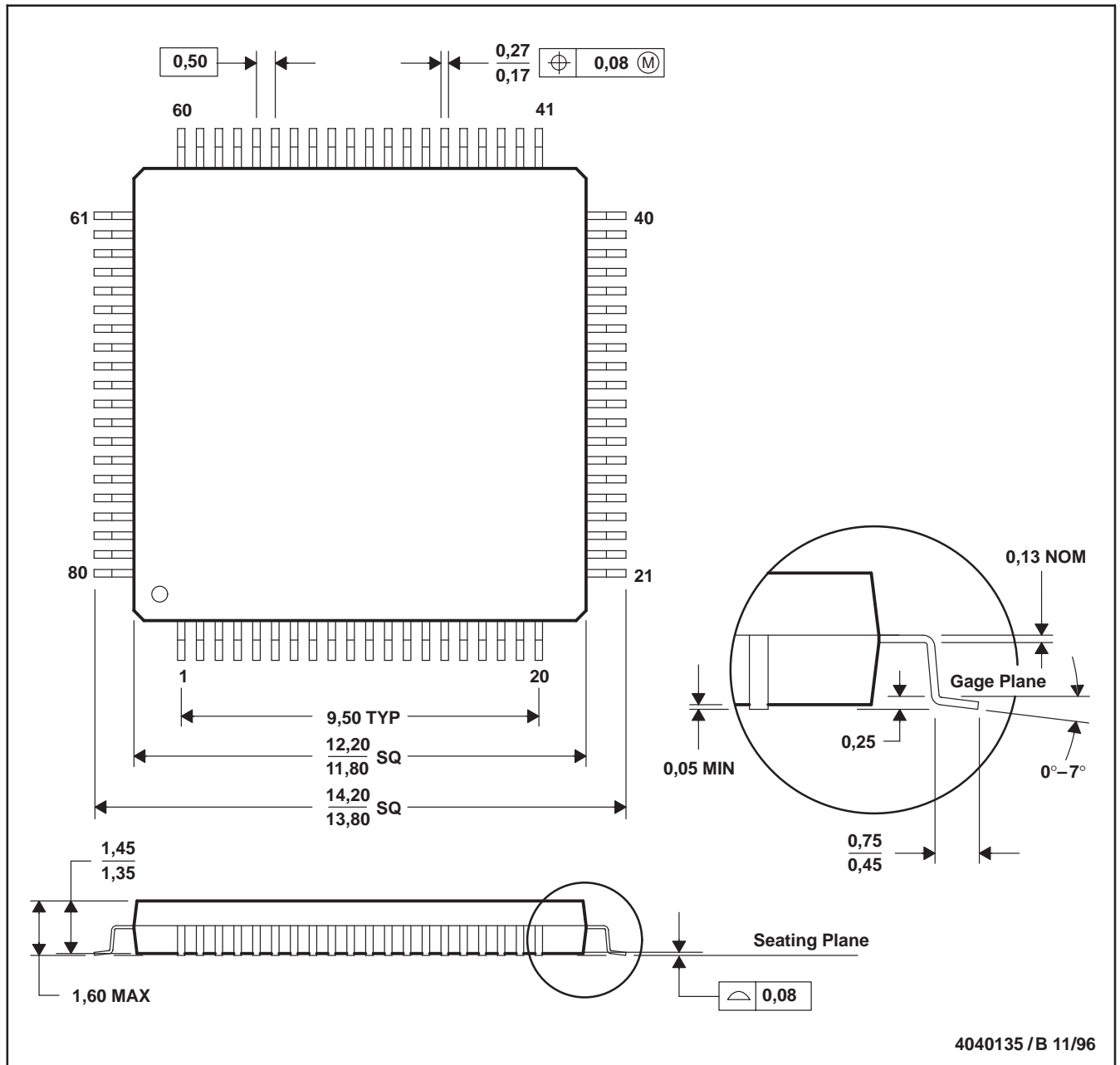


information may not be available for release.

In no event shall TI's liability arising out of such information exceed the total purchase price of the TI part(s) at issue in this document sold by TI to Customer on an annual basis.

PN (S-PQFP-G80)

PLASTIC QUAD FLATPACK



- NOTES: A. All linear dimensions are in millimeters.  
 B. This drawing is subject to change without notice.  
 C. Falls within JEDEC MS-026

PZ (S-PQFP-G100)

PLASTIC QUAD FLATPACK



- NOTES: A. All linear dimensions are in millimeters.  
 B. This drawing is subject to change without notice.  
 C. Falls within JEDEC MS-026

## IMPORTANT NOTICE

Texas Instruments Incorporated and its subsidiaries (TI) reserve the right to make corrections, modifications, enhancements, improvements, and other changes to its products and services at any time and to discontinue any product or service without notice. Customers should obtain the latest relevant information before placing orders and should verify that such information is current and complete. All products are sold subject to TI's terms and conditions of sale supplied at the time of order acknowledgment.

TI warrants performance of its hardware products to the specifications applicable at the time of sale in accordance with TI's standard warranty. Testing and other quality control techniques are used to the extent TI deems necessary to support this warranty. Except where mandated by government requirements, testing of all parameters of each product is not necessarily performed.

TI assumes no liability for applications assistance or customer product design. Customers are responsible for their products and applications using TI components. To minimize the risks associated with customer products and applications, customers should provide adequate design and operating safeguards.

TI does not warrant or represent that any license, either express or implied, is granted under any TI patent right, copyright, mask work right, or other TI intellectual property right relating to any combination, machine, or process in which TI products or services are used. Information published by TI regarding third-party products or services does not constitute a license from TI to use such products or services or a warranty or endorsement thereof. Use of such information may require a license from a third party under the patents or other intellectual property of the third party, or a license from TI under the patents or other intellectual property of TI.

Reproduction of TI information in TI data books or data sheets is permissible only if reproduction is without alteration and is accompanied by all associated warranties, conditions, limitations, and notices. Reproduction of this information with alteration is an unfair and deceptive business practice. TI is not responsible or liable for such altered documentation. Information of third parties may be subject to additional restrictions.

Resale of TI products or services with statements different from or beyond the parameters stated by TI for that product or service voids all express and any implied warranties for the associated TI product or service and is an unfair and deceptive business practice. TI is not responsible or liable for any such statements.

TI products are not authorized for use in safety-critical applications (such as life support) where a failure of the TI product would reasonably be expected to cause severe personal injury or death, unless officers of the parties have executed an agreement specifically governing such use. Buyers represent that they have all necessary expertise in the safety and regulatory ramifications of their applications, and acknowledge and agree that they are solely responsible for all legal, regulatory and safety-related requirements concerning their products and any use of TI products in such safety-critical applications, notwithstanding any applications-related information or support that may be provided by TI. Further, Buyers must fully indemnify TI and its representatives against any damages arising out of the use of TI products in such safety-critical applications.

TI products are neither designed nor intended for use in military/aerospace applications or environments unless the TI products are specifically designated by TI as military-grade or "enhanced plastic." Only products designated by TI as military-grade meet military specifications. Buyers acknowledge and agree that any such use of TI products which TI has not designated as military-grade is solely at the Buyer's risk, and that they are solely responsible for compliance with all legal and regulatory requirements in connection with such use.

TI products are neither designed nor intended for use in automotive applications or environments unless the specific TI products are designated by TI as compliant with ISO/TS 16949 requirements. Buyers acknowledge and agree that, if they use any non-designated products in automotive applications, TI will not be responsible for any failure to meet such requirements.

Following are URLs where you can obtain information on other Texas Instruments products and application solutions:

| <b>Products</b>             |  | <b>Applications</b>        |  |
|-----------------------------|--|----------------------------|--|
| Amplifiers                  | <a href="http://amplifier.ti.com">amplifier.ti.com</a>             | Audio                      | <a href="http://www.ti.com/audio">www.ti.com/audio</a>                                   |
| Data Converters             | <a href="http://dataconverter.ti.com">dataconverter.ti.com</a>     | Automotive                 | <a href="http://www.ti.com/automotive">www.ti.com/automotive</a>                         |
| DLP® Products               | <a href="http://www.dlp.com">www.dlp.com</a>                       | Communications and Telecom | <a href="http://www.ti.com/communications">www.ti.com/communications</a>                 |
| DSP                         | <a href="http://dsp.ti.com">dsp.ti.com</a>                         | Computers and Peripherals  | <a href="http://www.ti.com/computers">www.ti.com/computers</a>                           |
| Clocks and Timers           | <a href="http://www.ti.com/clocks">www.ti.com/clocks</a>           | Consumer Electronics       | <a href="http://www.ti.com/consumer-apps">www.ti.com/consumer-apps</a>                   |
| Interface                   | <a href="http://interface.ti.com">interface.ti.com</a>             | Energy                     | <a href="http://www.ti.com/energy">www.ti.com/energy</a>                                 |
| Logic                       | <a href="http://logic.ti.com">logic.ti.com</a>                     | Industrial                 | <a href="http://www.ti.com/industrial">www.ti.com/industrial</a>                         |
| Power Mgmt                  | <a href="http://power.ti.com">power.ti.com</a>                     | Medical                    | <a href="http://www.ti.com/medical">www.ti.com/medical</a>                               |
| Microcontrollers            | <a href="http://microcontroller.ti.com">microcontroller.ti.com</a> | Security                   | <a href="http://www.ti.com/security">www.ti.com/security</a>                             |
| RFID                        | <a href="http://www.ti-rfid.com">www.ti-rfid.com</a>               | Space, Avionics & Defense  | <a href="http://www.ti.com/space-avionics-defense">www.ti.com/space-avionics-defense</a> |
| RF/IF and ZigBee® Solutions | <a href="http://www.ti.com/lprf">www.ti.com/lprf</a>               | Video and Imaging          | <a href="http://www.ti.com/video">www.ti.com/video</a>                                   |
|                             |  | Wireless                   | <a href="http://www.ti.com/wireless-apps">www.ti.com/wireless-apps</a>                   |

Mailing Address: Texas Instruments, Post Office Box 655303, Dallas, Texas 75265  
Copyright © 2010, Texas Instruments Incorporated