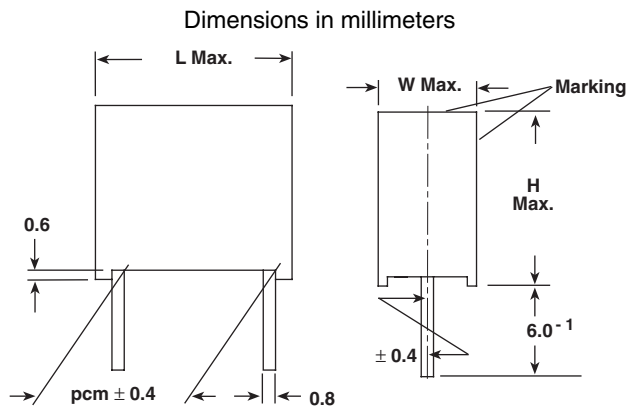


Metallized Polycarbonate Film Capacitor

Related Document: IEC 60384-6


MAIN APPLICATIONS

Storage, filter, timing and integrating circuits.

MARKING

Manufacturer's logo/type/C-value/rated voltage/tolerance/date of manufacture

DIELECTRIC

Polycarbonate film

ELECTRODES

Vacuum deposited aluminum

COATING

Flame retardant plastic case (UL-class 94 V-0), red, epoxy resin sealed

CONSTRUCTION

Extended metallized film (refer to general information)

LEADS

Tinned wire

IEC TEST CLASSIFICATION

55/100/56, according to IEC 60068

OPERATING TEMPERATURE RANGE

- 55°C to + 100°C

CAPACITANCE TOLERANCES

± 20% (M), ± 10% (K), ± 5% (J)

RATED VOLTAGES (U_R)

63 VDC, 100 VDC, 250 VDC, 400 VDC

MAXIMUM PULSE RISE TIME

PCM (mm)	Maximum Pulse Rise Time d_v/d_t [V/ μ s]			
	63 VDC	100 VDC	250 VDC	400 VDC
10	17	23	38	61
15	9	13	21	33
22.5	6	8	13	20
27.5	5	6	10	16

 If the maximum pulse voltage is less than the rated voltage higher d_v/d_t values can be permitted.

FEATURES

 Product is completely lead (Pb)-free.
 Product is RoHS compliant.

DERATING FOR DC AND AC. CATEGORY VOLTAGE U_C

 At + 85°C: $U_C = 1.0 U_R$
 At + 100°C: $U_C = 0.8 U_R$

CAPACITANCE RANGE

 0.01 μ F to 10 μ F

RoHS
 COMPLIANT

PERMISSIBLE AC VOLTAGES (RMS) UP TO 60HZ

40 VAC, 63 VAC, 160 VAC, 200 VAC

TEST VOLTAGE (ELECTRODE/ELECTRODE)

 1.6 x U_R for 2 s

INSULATION RESISTANCE

Measured at 100 VDC (63 VDC series measured at 50 VDC) after one minute

For $C \leq 0.33 \mu$ F and $U_R > 100$ VDC:

 30,000 M Ω minimum value (100,000 M Ω typical value)

For $C \leq 0.33 \mu$ F and $U_R \leq 100$ VDC:

 15,000 M Ω minimum value (50,000 M Ω typical value)

TIME CONSTANT

Measured at 100 VDC (63 VDC series measured at 50 VDC) after one minute

For $C > 0.33 \mu$ F and $U_R > 100$ VDC:

10,000 s minimum value (40,000 s typical value)

For $C > 0.33 \mu$ F and $U_R \leq 100$ VDC:

5000 s minimum value (15,000 s typical value)

CAPACITANCE DRIFT

Up to + 40°C, ± 1% for a period of two years

SELF INDUCTANCE

~ 6 nH measured with 2mm long leads

PULL TEST ON LEADS

≥ 30 N in direction of leads according to IEC 60068-2-21

BEND TEST ON LEADS

2 bends through 90° with half of the force used in pull test

RELIABILITY

Operational life > 300,000 h

 Failure rate < 1 FIT (40°C and 0.5 x U_R)

 For further details, please refer to the general information available at www.vishay.com/doc?26033.



DISSIPATION FACTOR TAN δ

MEASURED AT	$C \leq 0.1\mu\text{F}$	$0.1\mu\text{F} < C \leq 1.0\mu\text{F}$	$C > 1.0\mu\text{F}$
1kHz	3×10^{-3}	3×10^{-3}	3×10^{-3}
10kHz	4×10^{-3}	4×10^{-3}	—
100kHz	10×10^{-3}	—	—
Maximum values			

CAPACITANCE	CAPACITANCE CODE	VOLTAGE CODE 06 63 VDC/40 VAC				VOLTAGE CODE 01 100 VDC/63 VAC				VOLTAGE CODE 25 250 VDC/160 VAC				VOLTAGE CODE 40 400 VDC/200 VAC			
		W	H	L	PCM	W	H	L	PCM	W	H	L	PCM	W	H	L	PCM
0.01 μF	- 310	—	—	—	—	—	—	—	—	—	—	—	—	4.0	9.0	13.0	10
0.015 μF	- 315	—	—	—	—	—	—	—	—	—	—	—	—	4.0	9.0	13.0	10
0.022 μF	- 322	—	—	—	—	—	—	—	—	4.0	9.0	13.0	10	4.0	9.0	13.0	10
0.033 μF	- 333	—	—	—	—	—	—	—	—	4.0	9.0	13.0	10	5.5	10.5	13.0	10
0.047 μF	- 347	—	—	—	—	—	—	—	—	4.0	9.0	13.0	10	5.5	10.5	18.0	15
0.068 μF	- 368	—	—	—	—	4.0	9.0	13.0	10	5.5	10.5	13.0	10	5.5	10.5	18.0	15
0.1 μF	- 410	—	—	—	—	4.0	9.0	13.0	10	5.5	10.5	18.0	15	6.5	12.5	18.0	15
0.15 μF	- 415	—	—	—	—	5.5	10.5	13.0	10	5.5	10.5	18.0	15	8.5	14.5	18.0	15
0.22 μF	- 422	4.0	9.0	13.0	10	6.5	11.5	13.0	10	6.5	12.5	18.0	15	7.5	15.5	26.5	22.5
0.33 μF	- 433	4.5	9.5	13.0	10	5.5	10.5	18.0	15	7.5	13.5	18.0	15	8.5	16.5	26.5	22.5
0.47 μF	- 447	5.5	10.5	13.0	10	6.5	12.5	18.0	15	7.5	15.5	26.5	22.5	10.5	18.5	26.5	22.5
0.68 μF	- 468	5.5	10.5	18.0	15	7.5	13.5	18.0	15	8.5	16.5	26.5	22.5	11.5	20.5	31.5	27.5
1.0 μF	- 510	6.5	12.5	18.0	15	8.5	14.5	18.0	15	8.5	16.5	26.5	22.5	13.5	23.5	31.5	27.5
1.5 μF	- 515	7.5	13.5	18.0	15	7.5	15.5	26.5	22.5	11.5	20.5	31.5	27.5	—	—	—	—
2.2 μF	- 522	8.5	14.5	18.0	15	8.5	16.5	26.5	22.5	11.5	20.5	31.5	27.5	—	—	—	—
3.3 μF	- 533	7.5	15.5	26.5	22.5	10.5	18.5	26.5	22.5	13.5	23.5	31.5	27.5	—	—	—	—
4.7 μF	- 547	8.5	16.5	26.5	22.5	11.5	20.5	31.5	27.5	16.5	29.5	31.5	27.5	—	—	—	—
6.8 μF	- 568	10.5	18.5	26.5	22.5	13.5	23.5	31.5	27.5	—	—	—	—	—	—	—	—
10.0 μF	- 610	11.5	20.5	31.5	27.5	15.0	24.5	31.5	27.5	—	—	—	—	—	—	—	—

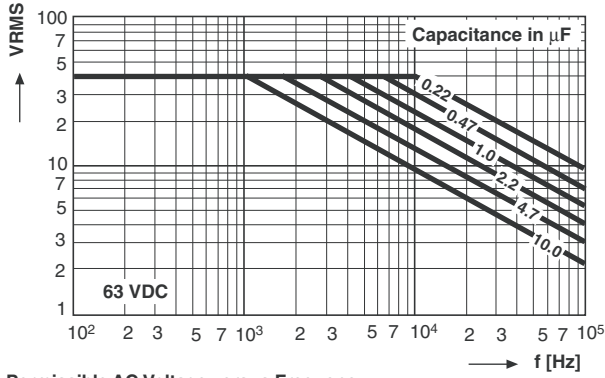
Further C-values upon request

RECOMMENDED PACKAGING

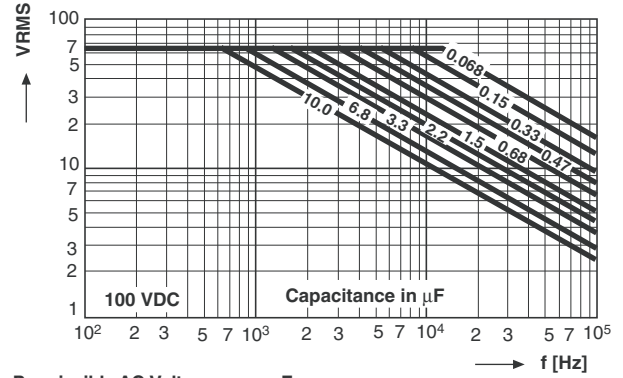
LETTER CODE	TYPE OF PACKAGING	HEIGHT (H) (mm)	REEL DIAMETER (mm)	ORDERING CODE EXAMPLES	PCM 10	PCM 15	PCM 22.5 - 27.5
D	AMMO	16.5	S*	MKC 1862-310/405-D	X	X	—
G	AMMO	18.5	S*	MKC 1862-310/405-G	X	X	—
F	REEL	16.5	350	MKC 1862-310/405-F	X	X	—
W	REEL	18.5	350	MKC 1862-310/405-W	X	X	—
V	REEL	18.5	500	MKC 1862-522/255-V	—	X	X
G	AMMO	18.5	L*	MKC 1862-522/255-G	—	—	X
—	BULK	—	—	MKC 1862-522/255	X	X	X

*S - box size 55 x 210 x 340mm (W x H x L)

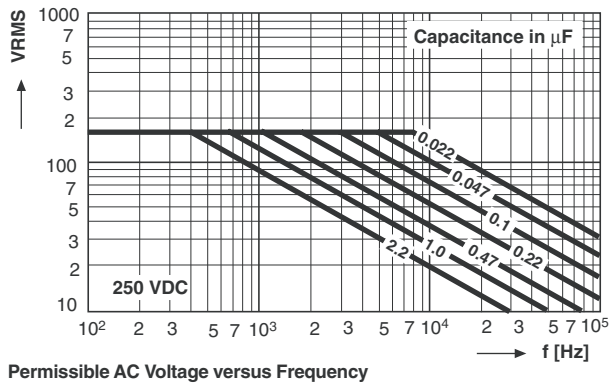
*L - box size 60 x 360 x 510mm (W x H x L)



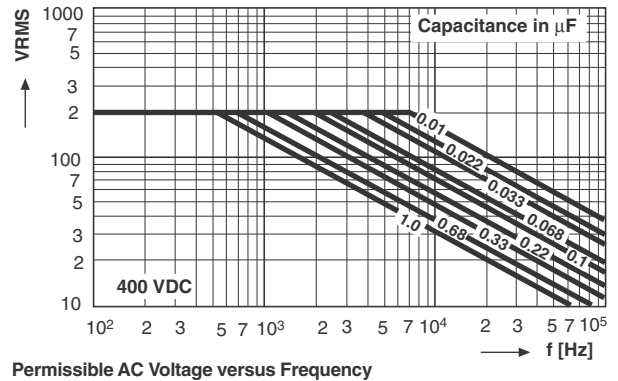
Permissible AC Voltage versus Frequency



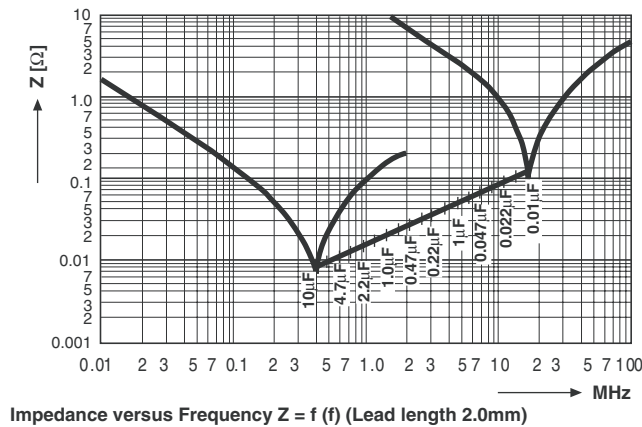
Permissible AC Voltage versus Frequency



Permissible AC Voltage versus Frequency



Permissible AC Voltage versus Frequency





Disclaimer

All product specifications and data are subject to change without notice.

Vishay Intertechnology, Inc., its affiliates, agents, and employees, and all persons acting on its or their behalf (collectively, "Vishay"), disclaim any and all liability for any errors, inaccuracies or incompleteness contained herein or in any other disclosure relating to any product.

Vishay disclaims any and all liability arising out of the use or application of any product described herein or of any information provided herein to the maximum extent permitted by law. The product specifications do not expand or otherwise modify Vishay's terms and conditions of purchase, including but not limited to the warranty expressed therein, which apply to these products.

No license, express or implied, by estoppel or otherwise, to any intellectual property rights is granted by this document or by any conduct of Vishay.

The products shown herein are not designed for use in medical, life-saving, or life-sustaining applications unless otherwise expressly indicated. Customers using or selling Vishay products not expressly indicated for use in such applications do so entirely at their own risk and agree to fully indemnify Vishay for any damages arising or resulting from such use or sale. Please contact authorized Vishay personnel to obtain written terms and conditions regarding products designed for such applications.

Product names and markings noted herein may be trademarks of their respective owners.