

Current Sources: Options and Circuits

by Martin Murnane

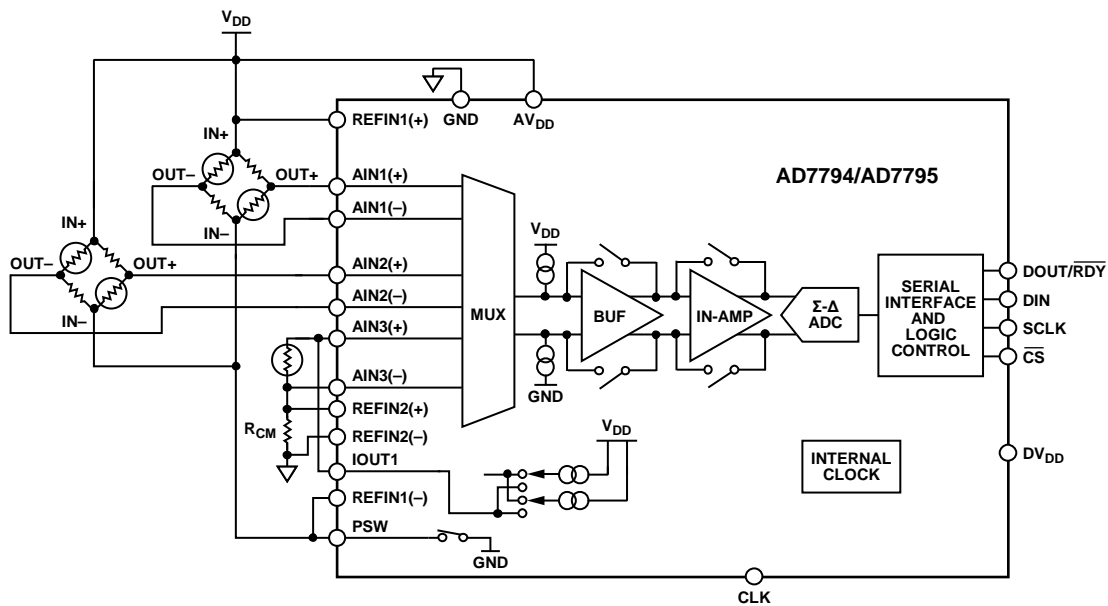


Figure 1. AD7794 Current Source Application (See AD7794 Data Sheet for More Details)

07488-001

INTRODUCTION

Many applications require current sources to excite various devices for sensor drive, accurate measurement, and other applications. This application note discusses several options that are available to designers when designing current sources using ICs from Analog Devices, Inc. It shows examples of current sources from the microampere range which are integrated in specific devices and also medium to high power discrete applications up to the 1 A range.

LOW CURRENT—ADC APPLICATION

Some ADCs are designed specifically for direct sensor attachment with internal constant current sources, also called excitation currents.

The AD7794 device has two programmable excitation currents that can be programmed from 10 μA to 1 mA (see Figure 1). The current sources are controlled via a register (I/O register) that enables and directs the current to one of two output pins, in this case IOUT1 (see Figure 1 for details). This is adequate for low power portable applications where sensor power consumption must be low.

The AD7719 ADC has a similar current source setup, with the maximum current at 400 μA (see Figure 2). Similarly, two current sources are available. Both current sources are 200 μA and can be controlled in a similar manner to the AD7794 ADC: one or both currents can be sent to the one output pin. This is clearly shown in Figure 2 where both currents are directed to the IOUT1 pin, which then drives the bridge and the reference. See the AD7719 data sheet for more details.

There are many other ADCs with a constant current source function available from Analog Devices. For additional information, see www.analog.com/adcs.

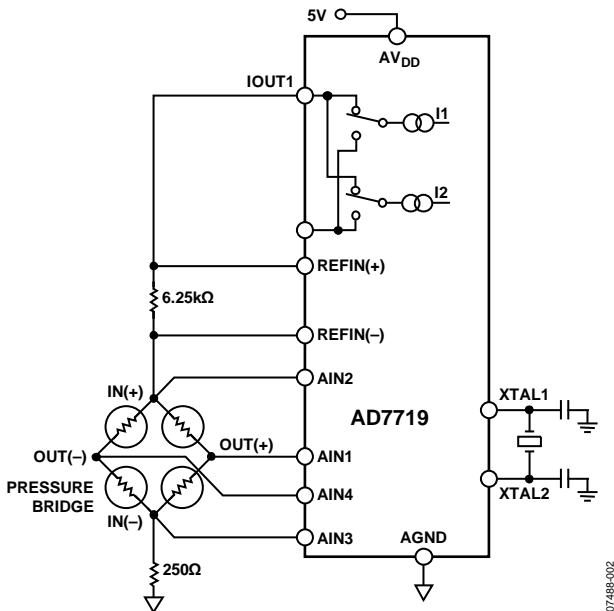


Figure 2. AD7719 Current Source Application (see the AD7719 Data Sheet for More Details)

MICROCONTROLLERS

Analog Devices also offers a range of microcontrollers that contain current sources in the low current range. For additional information, see www.analog.com/microcontrollers.

LOW CURRENT—OP AMP APPLICATION

A discrete option for a current source is an op amp driven circuit is shown in Figure 3. The AD8610 op amp is a relatively high current drive op amp, driven from $\pm 12\text{ V}$.

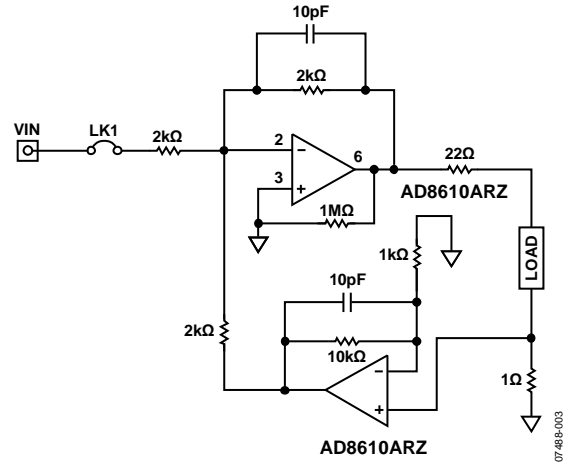


Figure 3. 10 mA Current Source/Sink

A negative voltage at VIN controls the op amp and raises the voltage at the output of this device. The output current of the amplifier flows in the 1 Ω sense resistor. The voltage at the input of the feedback op amp increases, which produces a voltage of opposite polarity at the input of the control op amp. A state of equilibrium is reached and a steady state current flows in the 1 Ω sense resistor. A sense resistor is used to measure current, but a load resistor can also be used to reduce the cost of expensive sense resistors. One disadvantage of this is the unknown state of the circuit if the load is removed, for instance, the amplifier could saturate.

Note that the AD8610 is chosen because it has excellent current noise and voltage noise performance. See the AD8610 data sheet for more information. This circuit can sink or source 10 mA (or greater) by applying a positive or negative voltage to VIN, respectively.

MEDIUM CURRENT—BIPOLAR APPLICATION

An example of a current source that has an even larger current supply (100 mA or greater) is in the circuit shown in Figure 4. This circuit uses an op amp output driver push-pull stage to supply current to the load. When a positive voltage is applied to VIN, the output voltage of the control op amp rises, which turns on Q1 and drives current through the 10 Ω resistor to the load. The 10 Ω resistors are required to prevent thermal runaway. As the current rises, the voltage on the sense resistor also rises and the voltage feedback to the control op amp increases until a state of equilibrium is reached. On reaching equilibrium, a constant current flows through the load for a fixed input voltage at VIN. This is a constant current source as it is sourcing current to the load.

For a negative input voltage at VIN, a similar situation arises except that the Q2 is turned on which causes the current to flow in the opposite direction. For a constant voltage at VIN, a constant current flows in the load. With a step input voltage at VIN, or a VIN voltage of ±100 mV at a frequency of 20 kHz, the circuit can operate quite well with a current settling time of ~3 μs. This switching gives a good indication of the stability of the circuit.

Adding an amplifier at the feedback loop decreases the sensitivity at VIN. For example, a gain of 10 allows a control voltage at VIN of ±1 V.

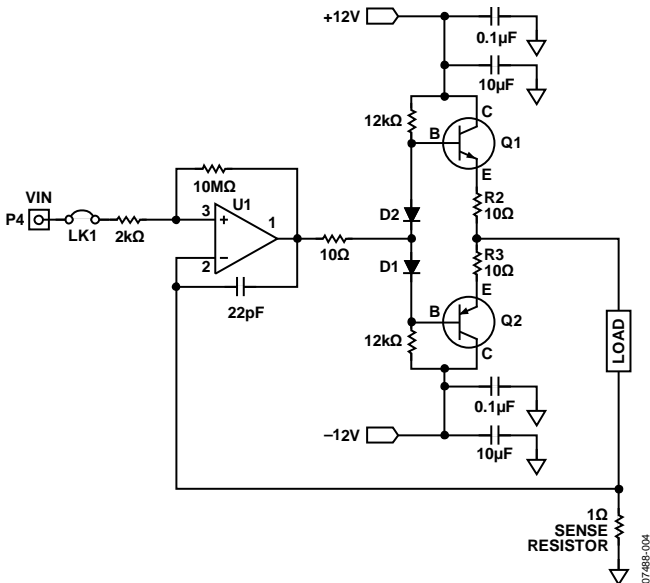


Figure 4. Current Source/Sink, 100 mA or Greater

HIGH CURRENT—MOSFET APPLICATION

If a higher current application is required, then the previous circuit can be adjusted to increase the current in the load by replacing the push-pull with a MOSFET and a few other components.

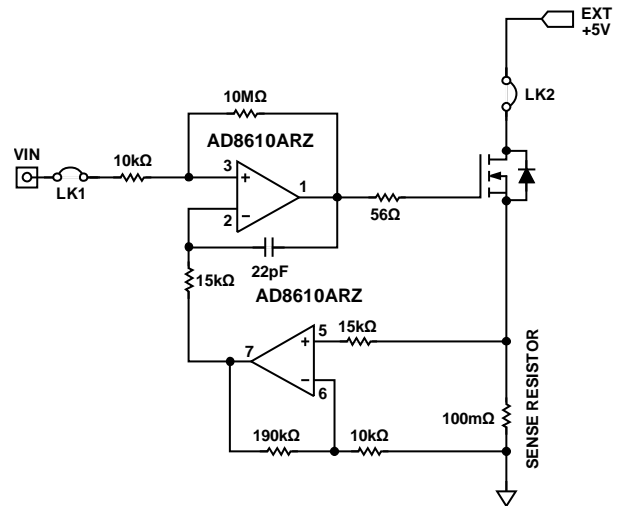


Figure 5. Current Sink Using IRF640 MOSFET, 1000 mA

This circuit in Figure 5 uses a control loop to set the gate voltage of a MOSFET (IRF640 N-channel). The circuit in Figure 5 uses a sense resistor and a feedback amplifier to reduce the sensitivity of VIN, as mentioned in the previous example. The maximum current of Figure 5 is 1000 mA. However, the same control loop can be used to drive even higher currents by changing only the MOSFET and the sense resistor. Also, an advantage of the circuit in Figure 5 is that a different voltage supply can be used on the load rather than the supply powering the circuit, as indicated by Jumper LK2. This means that if a high voltage MOSFET is used, like the IRF640, which has a 200 V absolute maximum rating, then this circuit can operate with much higher voltages than that of the 15 V powering the rest of the circuit.

