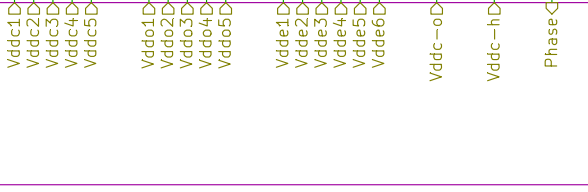


Sheet: PowerSupply



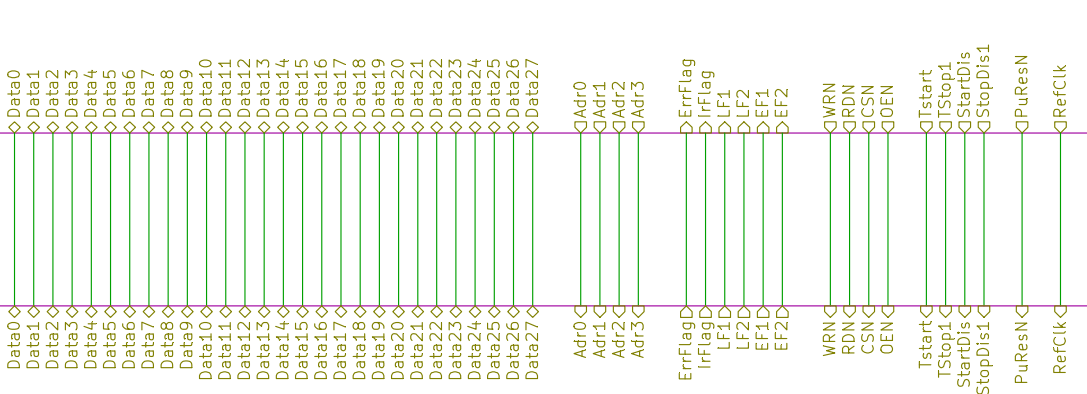
File: PowerSupply.sch

Sheet: IDC



File: IDC.sch

Sheet: Connectors



File: Connectors.sch

File: main.sch

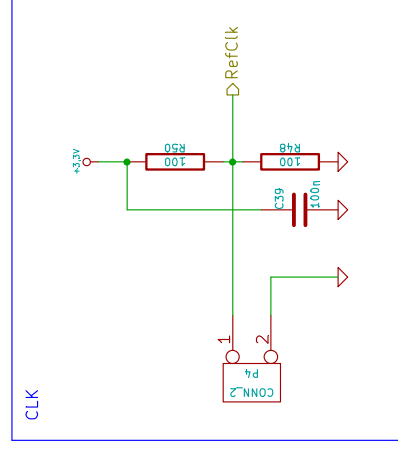
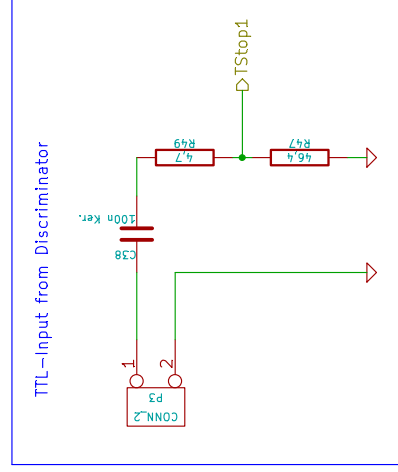
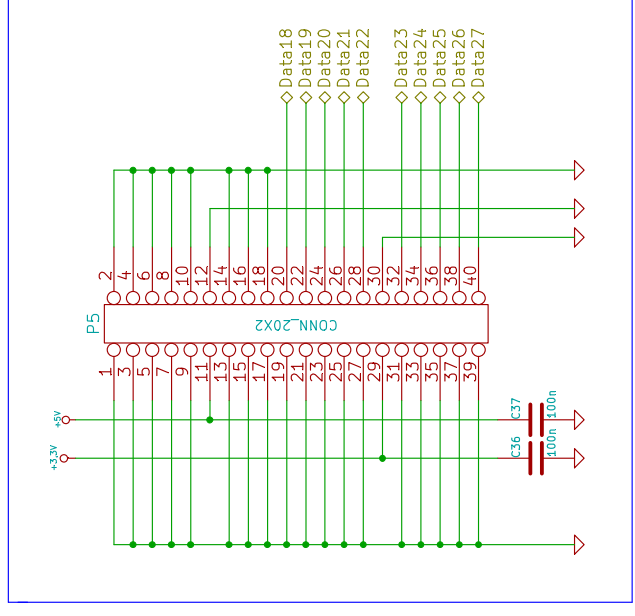
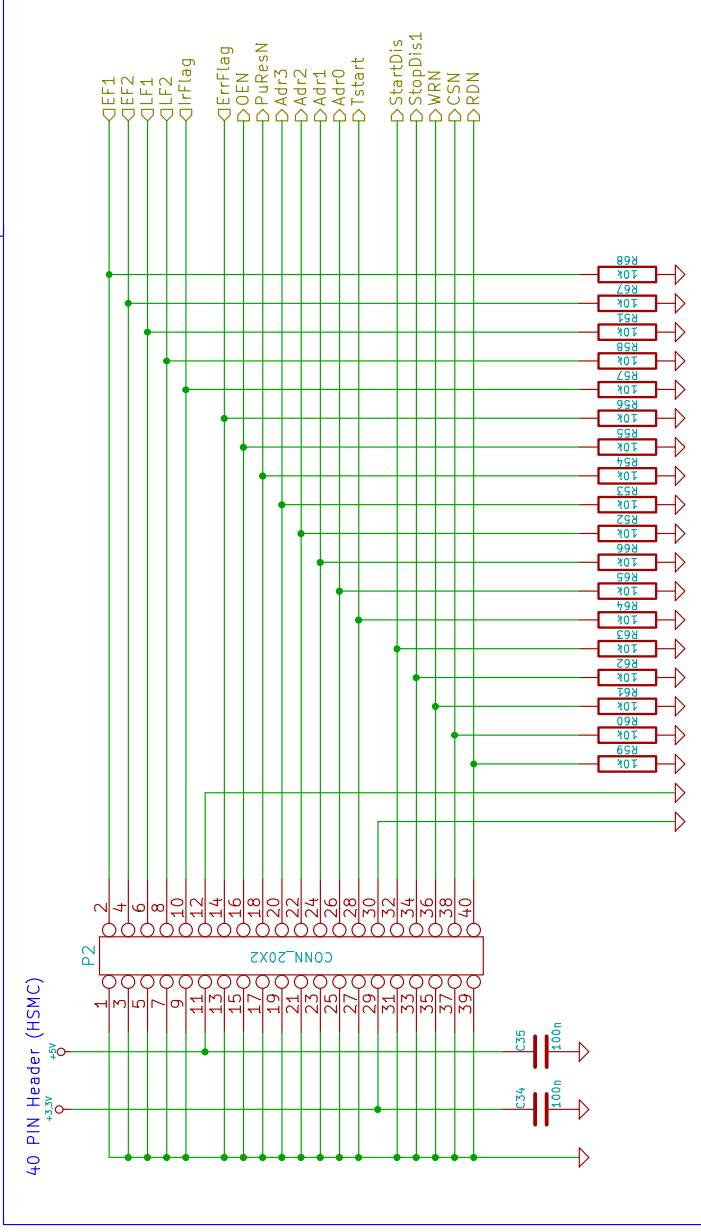
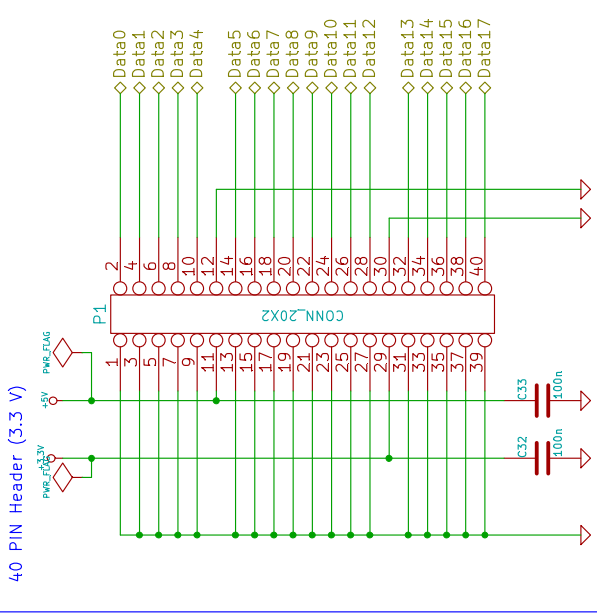
Sheet: /

Title: Hauptschalplan.sch

Size: A4 Date: 24 oct 2014

KiCad E.D.A. eschema (2013-07-07 BZR 4022) --stable

Rev: Id: 1/4



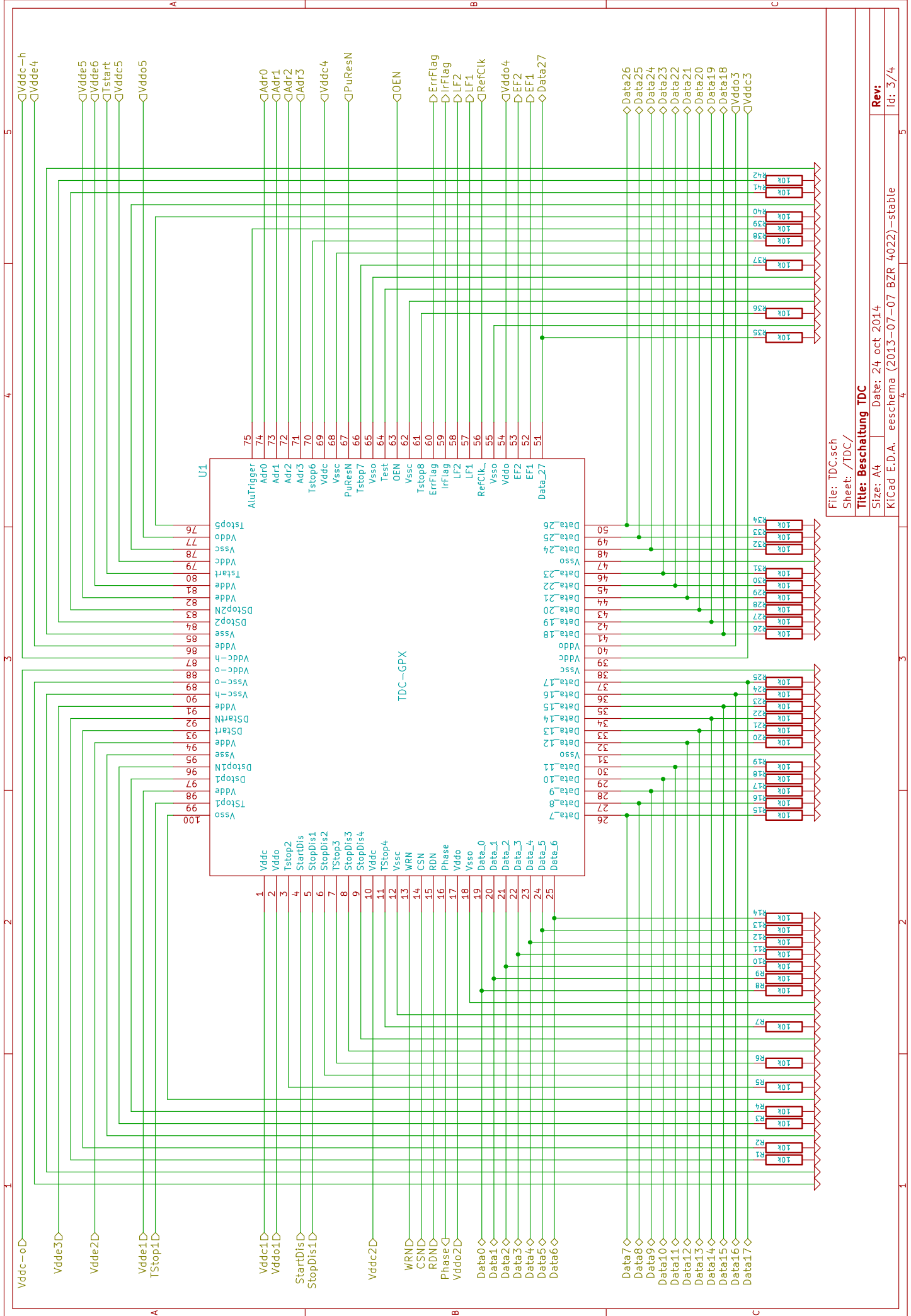
File: Connectors.sch
 Sheet: /Connectors/

Title: Connect.sch

Size: A4 Date: 20 nov 2014

KiCad E.D.A. eschema (2013-07-07 BZR 4022) - stable

Rev: Id: 2/4



File: TDC.sch
 Sheet: /TDC/

Title: Beschaltung TDC

Size: A4 Date: 24 oct 2014
 KiCad E.D.A. eschema (2013-07-07 BZR 4022) --stable

Rev: Id: 3/4

