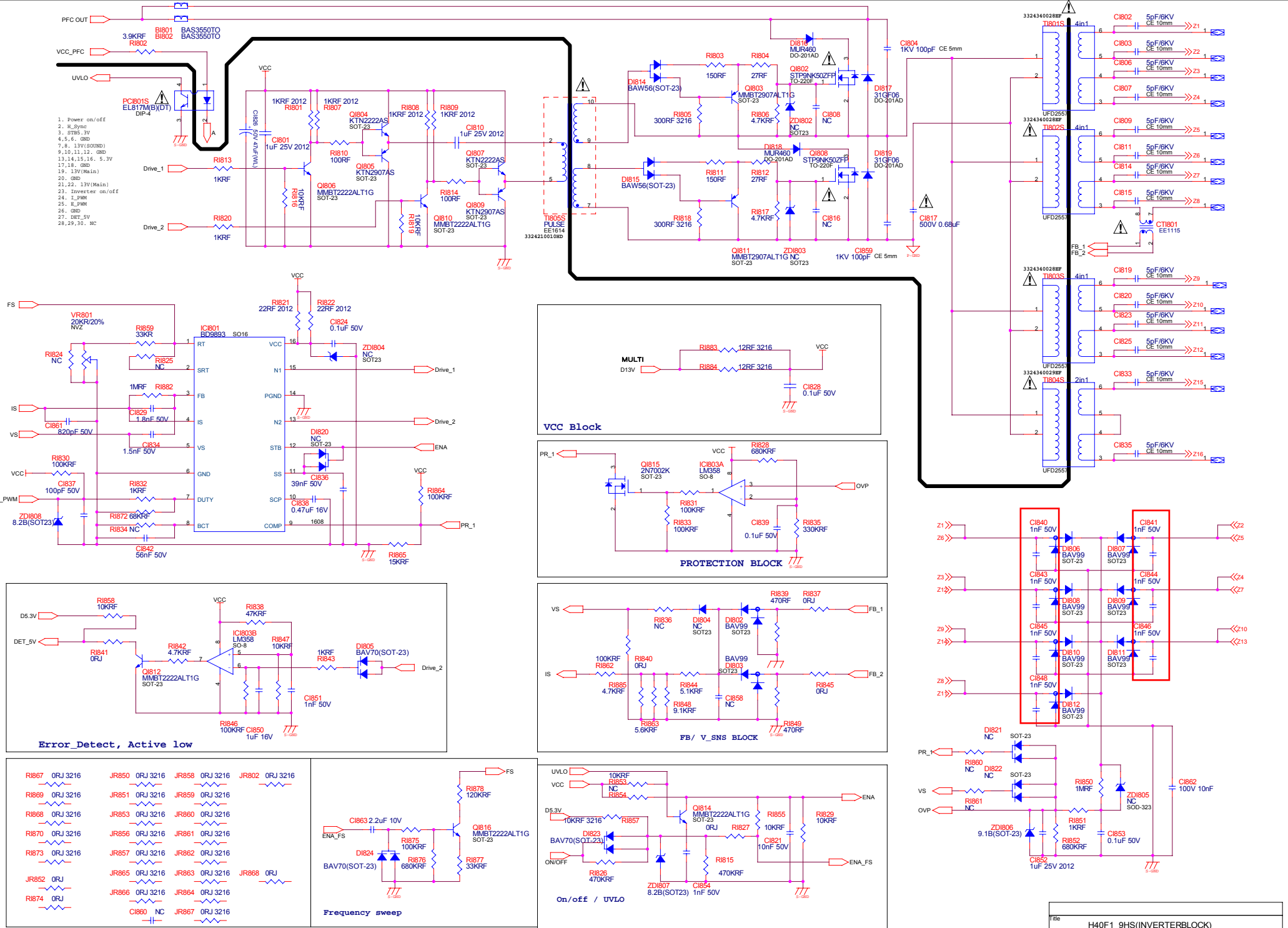


•• NC : No Connection  
 •• No marking resistor 1608 1% SMD  
 •• No marking capacitor 1608 2% SMD

Title		H40F1_9HS(POWER Block)	
Size	Document Number	A2 BNM4-00294C R.C	
Date:	Thursday, April 16, 2009	Sheet	1 of 1
Rev	1.4		



Title		
H40F1_9HS(INVERTERBLOCK)		
Size	Document Number	Rev
Custom	BN44-00264C.R.C	1.4
Date:	Thursday, April 16, 2009	Sheet 1 of 1