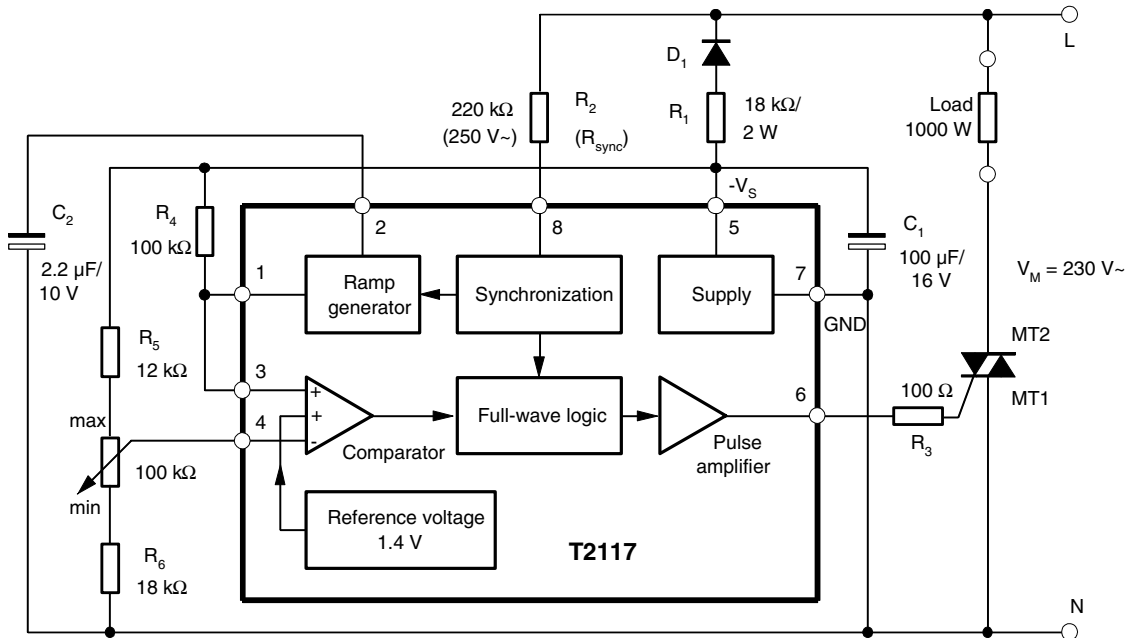


Figure 1-1. Block Diagram with Typical Circuit, Period Group Control 0 to 100%



2. Pin Configuration

Figure 2-1. Pinning DIP8/SO8

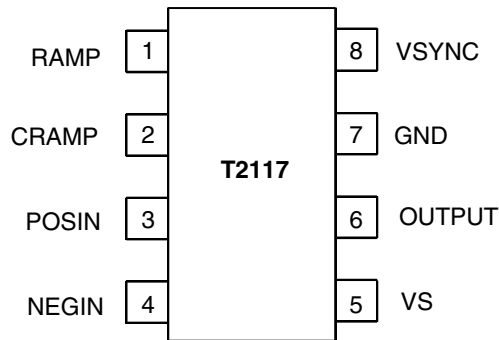


Table 2-1. Pin Description

Pin	Symbol	Function
1	RAMP	Ramp output
2	CRAMP	Ramp capacitor
3	POSIN	Non-inverting comparator input
4	NEGIN	Inverting comparator input
5	VS	Supply voltage
6	OUTPUT	Trigger pulse output
7	GND	Ground
8	VSYNC	Voltage synchronization