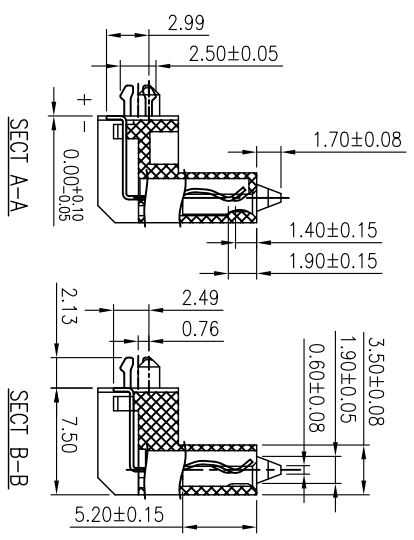
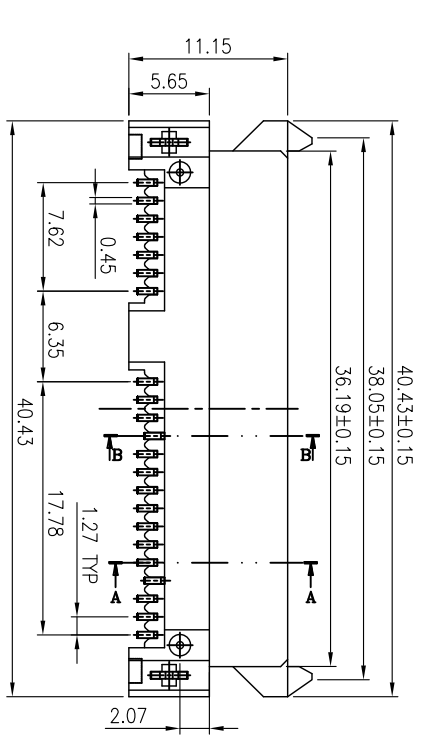


Signal Segment Name	Type
S1	GND
S2	A+
S3	A-
S4	GND
S5	B-
S6	B+
S7	GND

Power Segment Name	Type
P1	V3
P2	V33
P3	V33
P4	GND
P5	GND
P6	GND
P7	V5
P8	V5
P9	V5
P10	GND
P11	DAS/DSS
P12	GND
P13	V12
P14	V12
P15	V12



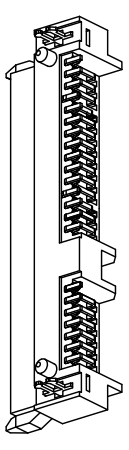
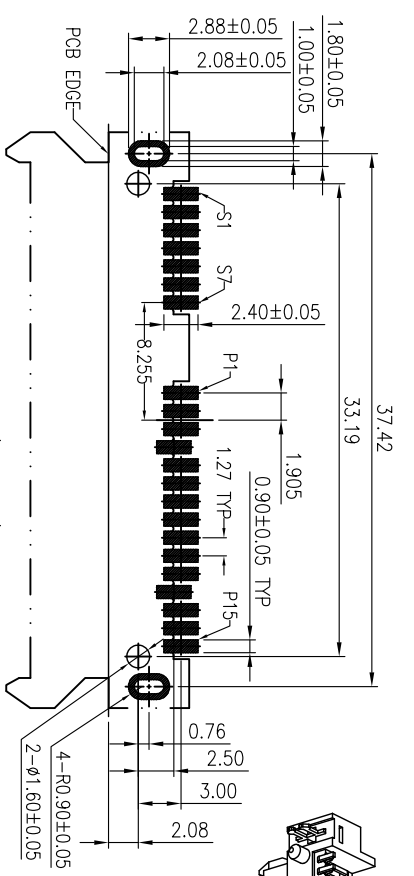
MATERIAL
 HOUSING: LCP+50%GF, UL 94V-0 RATED; COLOR: BLACK.
 CONTACT: PHOSPHOR BRONZE
 PLATING: Au PLATING ON CONTACT AREA
 Sn(100u"Min) PLATING ON SOLDER TAIL.
 Ni(40u"Min) CONTACT UNDERPLATING OVERALL.
 Harpoon: Brass
 PLATING: Sn(100u"Min)PLATING OVER Ni(40u"Min)

MECHANICAL
 INSERTION FORCE: 45N MAX.
 WITHDRAWAL FORCE: 10N MIN.
 DURABILITY: 500 CYCLES

ELECTRICAL SPECIFICATION
 CURRENT RATING: 1.5 AMPERE PER CONTACT.
 CONTACT RESISTANCE: 30mΩ MAX.
 INSULATION RESISTANCE: 1000MΩ MIN.
 DIELECTRIC WITHSTANDING VOLTAGE: 500 VAC.

ENVIRONMENTAL
 OPERATING TEMPERATURE: -55°C TO +85°C

ORDER INFORMATION:
 SATA491b-RtF22GX-2P
 SATA: SERIAL ATA CONNECTOR
 491: SERIES NO., UNDER BOARD TYPE
 b: STAND OFF=7.50mm
 Rt: PCB TYPE, RIGHT ANGLE SURFACE MOUNT
 F: FEMALE TYPE
 22: 22 PINS
 GX: CONTACT PLATING OPTION
 Gt: GOLD FLASH ON CONTACT, TIN PLATING ON SOLDER TAIL
 G15t: 15u" GOLD ON CONTACT, TIN PLATING ON SOLDER TAIL
 2: TWO PRONG BOARD LOCK
 P: WITH PLASTIC PEG



TOLERANCES UNLESS OTHERWISE SPECIFIED		SIGNATURES		DATE		MODEL	
±0.25		DRAWN	AARON	25/JUL/12	TITLE	SERIAL ATA CONNECTOR	
		CHECKED	SAM	25/JUL/12	NO.	SATA491b-RtF22G_-2P	
		APPROVALS					

MMT CORPORATION