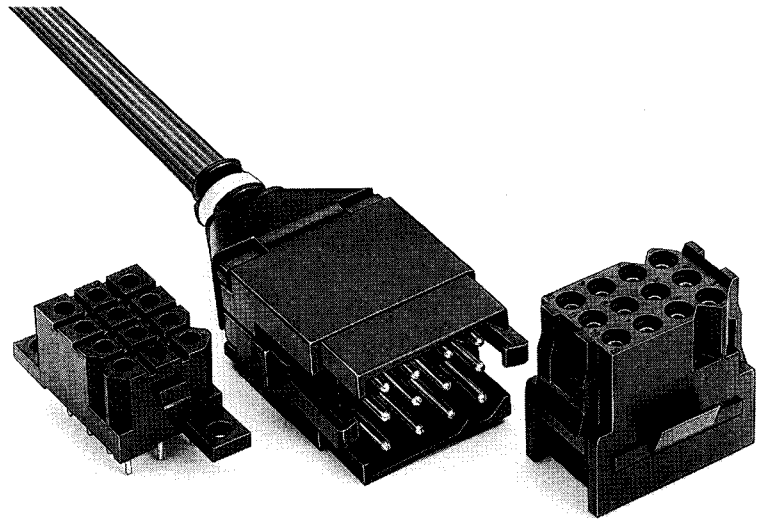
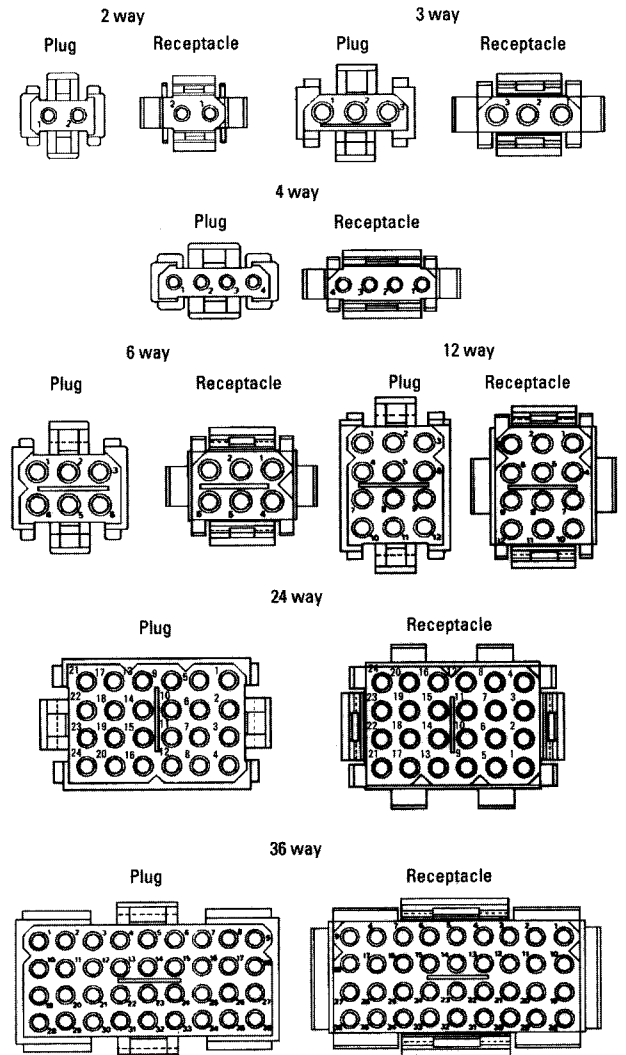


FEATURES

- Easy cost effective installation
- Integrally moulded latches and connector polarisation capability
- Recognised under the component programme of U.L. Inc and CSA
- Accepts 1, 2 and 3 part pin or socket contacts in either plug or receptacle housing
- Meets VDE 0110 250V Group C
- Inter-connector discrimination facilities available

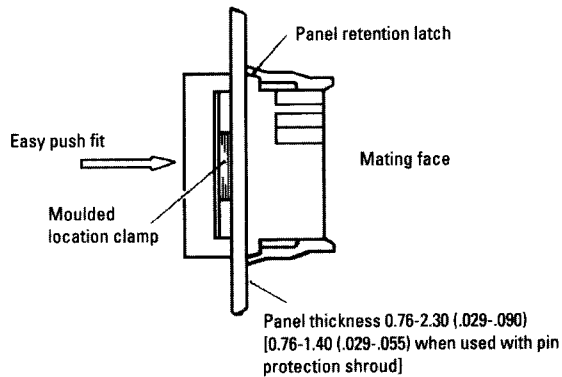


PLUG AND RECEPTACLE HOUSINGS CONTACT ARRANGEMENTS



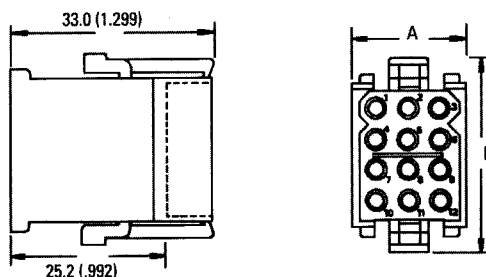
Characteristics	Performance
Material	UL 94V-0 rated Nylon, colour black
Operating Voltage	250 Va.c. r.m.s.
Contact Current Rating	Up to 13 A (See contact specification)
Operating Temperature	-55°C to +105°C
Insulation Resistance	5000 Mohms at 500 Vd.c.
Moulding Separation Force - unloaded connectors	150 N minimum with latches engaged
Test Voltage	2000 Va.c. for 60 secs
Panel Retention Force	500 N minimum

METHOD OF MOUNTING RECEPTACLE TO PANEL



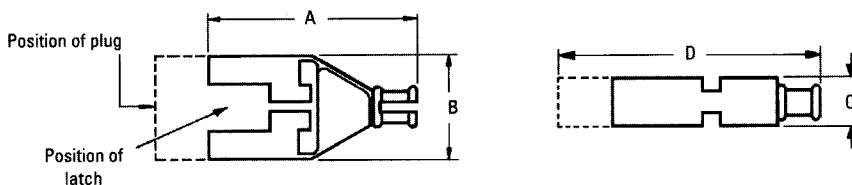
FREE PLUG

Accepts Pin or Socket contacts.
 Contacts to be ordered separately.
 See Pages 26-28.



No. of contacts	Dimensions (Max)		Order Code Pack of 100	Nomenclature
	A	B		
2	15.5 (.610)	17.0 (.669)	192990-0350	TST 02 PA 00
3	19.0 (.748)	17.0 (.669)	192923-5920	TST 03 PA 00
4	24.0 (.944)	17.0 (.669)	192990-0370	TST 04 PA 00
6	19.0 (.748)	22.0 (.866)	192923-5930	TST 06 PA 00
12	19.0 (.748)	32.0 (1.259)	192923-5940	TST 12 PA 00
24	24.0 (.944)	42.0 (1.653)	192923-5950	TST 24 PA 00
36	49.5 (1.948)	32.0 (1.259)	192923-5960	TST 36 PA 00

PLUG STRAIN RELIEF HOOD

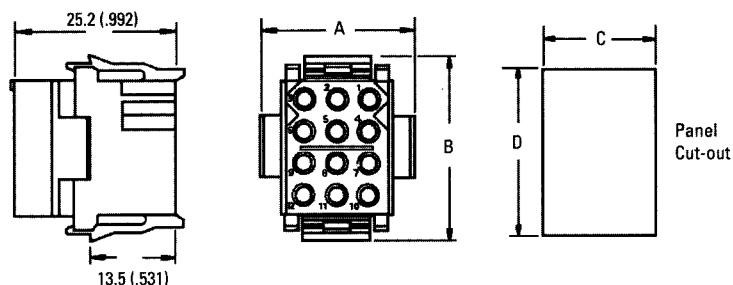


No. of contacts	Wire bundle dia	Dimensions (Max)				Order Code Pack of 100	Nomenclature
		A	B	C	D		
2	2.3-8.3 (.090-.326)	46.2 (1.818)	16.1 (.633)	11.0 (.433)	56.5 (2.224)	192990-0460	TST 02 AH 00
3	2.3-8.3 (.090-.326)	46.2 (1.818)	18.6 (.732)	11.0 (.433)	56.5 (2.224)	192990-0470	TST 03 AH 00
4	3.0-10.0 (.118-.393)	46.2 (1.818)	23.7 (.933)	11.0 (.433)	56.5 (2.224)	192990-0480	TST 04 AH 00
6	2.3-8.3 (.090-.326)	46.2 (1.818)	19.0 (.748)	16.4 (.645)	56.5 (2.224)	192923-5970	TST 06 AH 00
12	3.0-10.0 (.118-.393)	45.5 (1.791)	19.0 (.748)	26.4 (1.039)	55.8 (2.196)	192923-5980	TST 12 AH 00
24	4.6-12.7 (.181-.500)	51.0 (2.007)	24.1 (.948)	36.8 (1.448)	60.3 (2.374)	192923-5990	TST 24 AH 00
36	7.0-15.9 (.275-.625)	57.5 (2.263)	49.5 (1.948)	26.4 (1.039)	68.0 (2.677)	192923-6000	TST 36 AH 00

Connector discriminating pins available - See Page 30.

RECEPTACLE-PANEL MOUNTED

Accepts Pin or Socket contacts.
Contacts to be ordered separately.
See Pages 26-28.

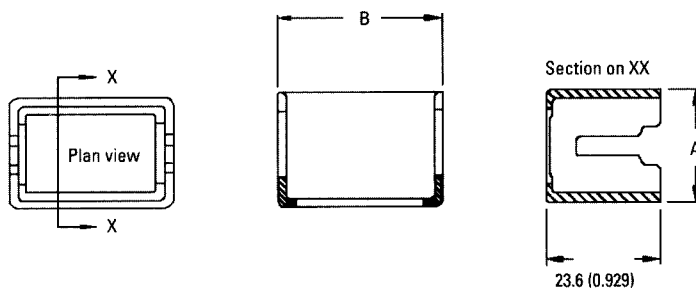


No. of contacts	Dimensions (Max)				Order Code Pack of 100	Nomenclature
	A	B	C	D		
2	19.0 (.748)	14.0 (.551)	11.5 (.452)	11.6 (.456)	192990-0360	TST 02 RA 00
3	24.0 (.944)	14.0 (.551)	16.5 (.649)	11.6 (.456)	192923-6010	TST 03 RA 00
4	29.0 (1.141)	13.5 (.531)	21.7 (.854)	11.6 (.456)	192990-0380	TST 04 RA 00
6	24.0 (.944)	19.0 (.748)	16.5 (.649)	16.7 (.657)	192923-6020	TST 06 RA 00
12	24.0 (.944)	29.0 (1.141)	16.7 (.657)	26.7 (1.051)	192923-6030	TST 12 RA 00
24	29.0 (1.141)	39.0 (1.535)	21.8 (.858)	36.9 (1.452)	192923-6040	TST 24 RA 00
36	54.2 (2.133)	29.0 (1.141)	46.7 (1.838)	26.4 (1.039)	192923-6050	TST 36 RA 00

* ±0.13 (0.005)

PROTECTION SHROUDS FOR RECEPTACLES WITH PIN CONTACTS

Protection shrouds are available for use when pin contacts are used in panel mounted receptacles.



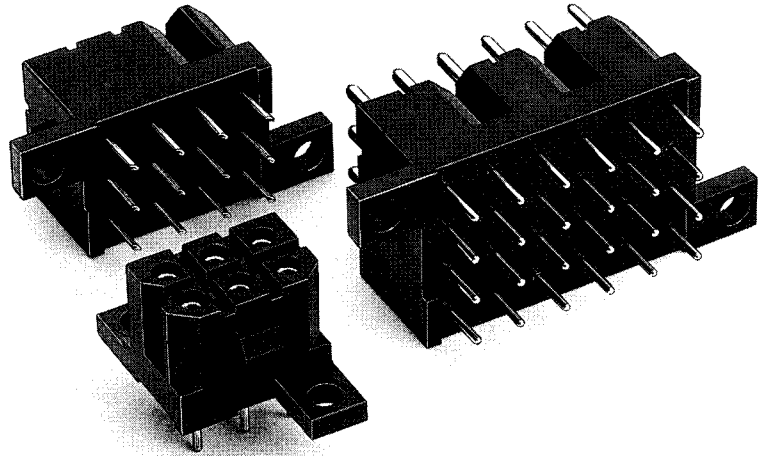
Shrouds can be fitted onto panels up to 1.4 mm (0.055") thick.

Connector Discriminating Pins available -
See Page 30.

No. of contacts	Dimensions (Max)		Order Code Pack of 100	Nomenclature
	A	B		
3	23.5 (.925)	19.05 (.748)	192990-0400	TST 03 AS 00
6	23.5 (.925)	24.13 (.948)	192990-0420	TST 06 AS 00
12	23.6 (.929)	34.2 (1.346)	192990-0430	TST 12 AS 00
24	29.7 (1.169)	44.4 (1.748)	192990-0440	TST 24 AS 00
36	54.4 (2.141)	34.0 (1.338)	192990-0450	TST 36 AS 00

PCB MOUNTED FEATURES

- Easy cost effective installation
- Interates with standard plugs
- Integrally moulded mounting flanges
- Connectors supplied fully loaded with pin or socket contacts



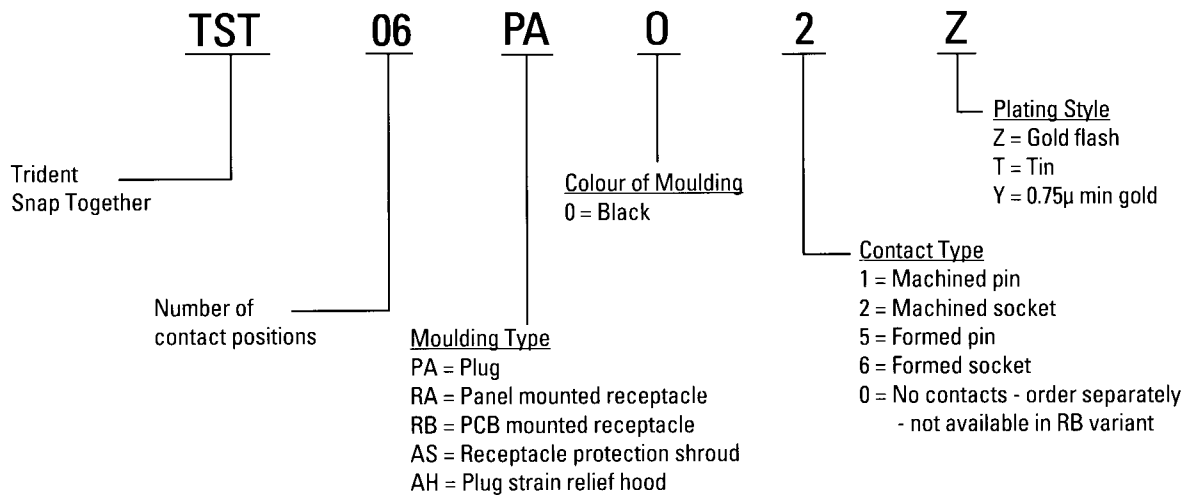
Characteristics	Performance
Material	UL 94V-0 rated Nylon, colour black
Operating Voltage	250 Va.c. r.m.s.
Contact Current Rating	Up to 13 A (See contact specification)
Operating Temperature	-40°C to +105°C
Insulation Resistance	5000 Mohms at 500 Vd.c.

HOW TO ORDER

The table below shows how the nomenclature for the Rectangular Range is constructed.

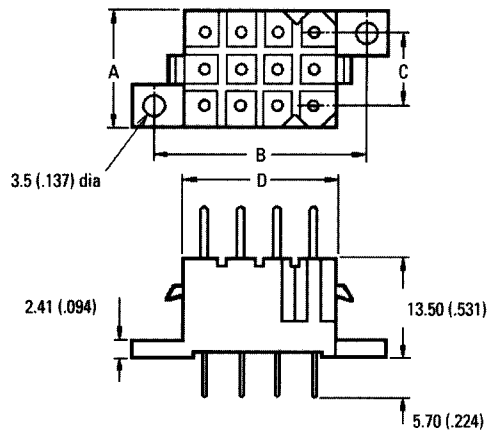
A Nomenclature to Ordering Code Cross Reference is shown on Pages 31-32.

Please consult your local ITT Cannon Sales Office for further details.



PCB MOUNTED CONNECTORS - PIN CONTACTS

- Contacts are based on a 5.08mm (.200") grid, symmetrical on centre lines
- Recommended PCB hole 1.15mm (.045") diameter
- Connector Discriminating Pins available - See Page 30.

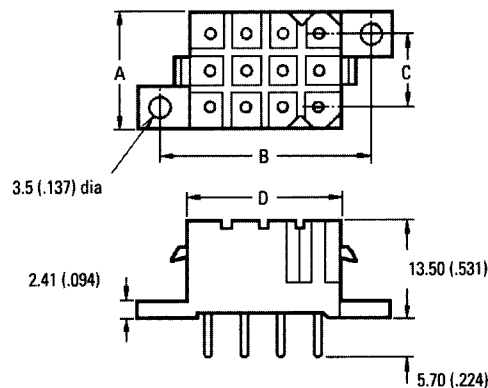


No. of contacts	Dimensions (Max)				Plating	Formed		Machined	
	A	B *	C *	D		Order Code Pack of 100	Nomenclature	Order Code Pack of 100	Nomenclature
2	11.13 (.438)	19.13 (.753)	Nil (in line)	6.00 (.236)	Gold	192900-0411	TST 02 RB 05Y	192991-0270	TST 02 RB 01Z
					Tin	192990-3230	TST 02 RB 05T	192991-0271	TST 02 RB 01T
3	16.21 (.638)	14.05 (.553)	10.24 (.403)	6.00 (.236)	Gold	192900-0412	TST 03 RB 05Y	192991-0278	TST 03 RB 01Z
					Tin	192990-3240	TST 03 RB 05T	192991-0279	TST 03 RB 01T
4	21.30 (.838)	14.05 (.553)	15.32 (.603)	6.00 (.236)	Gold	192900-0413	TST 04 RB 05Y	192991-0286	TST 04 RB 01Z
					Tin	192990-3250	TST 04 RB 05T	192991-0287	TST 04 RB 01T
6	16.20 (.637)	19.12 (.752)	10.23 (.402)	11.00 (.433)	Gold	192900-0414	TST 06 RB 05Y	192991-0294	TST 06 RB 01Z
					Tin	192990-3260	TST 06 RB 05T	192991-0295	TST 06 RB 01T
12	16.20 (.637)	29.30 (1.153)	10.26 (.404)	21.20 (.834)	Gold	192900-0415	TST 12 RB 05Y	192991-0302	TST 12 RB 01Z
					Tin	192990-3270	TST 12 RB 05T	192991-0303	TST 12 RB 01T
24	21.30 (1.834)	39.37 (.600)	15.32 (.603)	31.30 (1.232)	Gold	192900-0416	TST 24 RB 05Y	192991-0310	TST 24 RB 01Z
					Tin	192990-3280	TST 24 RB 05T	192991-0311	TST 24 RB 01T
36	46.60 (1.834)	15.24 (.600)	15.64 (.615)	21.20 (.834)	Gold	192900-0417	TST 36 RB 05Y	192991-0402	TST 36 RB 01Z
					Tin	192990-3290	TST 36 RB 05T	192991-0403	TST 36 RB 01T

* ±0.08 (0.003)

PCB MOUNTED CONNECTORS - SOCKET CONTACTS

- Contacts are based on a 5.08mm (.200") grid, symmetrical on centre lines
- Recommended PCB hole 1.15mm (.045") diameter
- Connector Discriminating Pins available - See Page 30



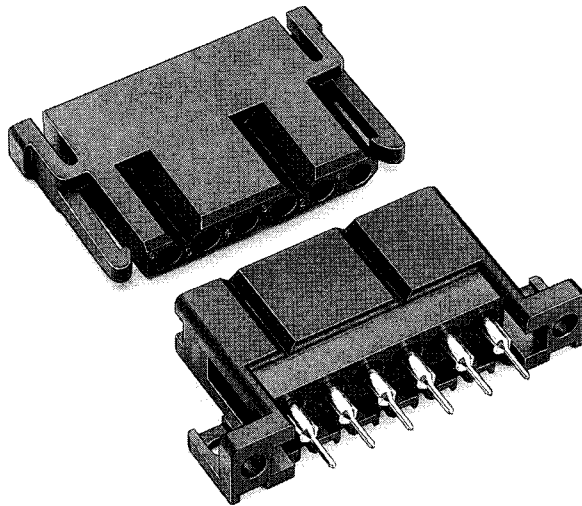
No. of contacts	Dimensions (Max)				Plating	Formed		Machined	
	A	B *	C *	D		Order Code Pack of 100	Nomenclature	Order Code Pack of 100	Nomenclature
2	11.13 (.438)	19.13 (.753)	Nil (in line)	6.00 (.236)	Gold	192900-0418	TST 02 RB 06Y	192991-0213	TST 02 RB 02Z
					Tin	192990-3300	TST 02 RB 06T	192991-0214	TST 02 RB 02T
3	16.21 (.638)	14.05 (.553)	10.24 (.403)	6.00 (.236)	Gold	192900-0419	TST 03 RB 06Y	192991-0221	TST 03 RB 02Z
					Tin	192990-3310	TST 03 RB 06T	192991-0222	TST 03 RB 02T
4	21.30 (.838)	14.05 (.553)	15.32 (.603)	6.00 (.236)	Gold	192900-0420	TST 04 RB 06Y	192991-0229	TST 04 RB 02Z
					Tin	192990-3320	TST 04 RB 06T	192991-0230	TST 04 RB 02T
6	16.20 (.637)	19.12 (.752)	10.23 (.402)	11.00 (.433)	Gold	192900-0421	TST 06 RB 06Y	192991-0237	TST 06 RB 02Z
					Tin	192990-3330	TST 06 RB 06T	192991-0238	TST 06 RB 02T
12	16.20 (.637)	29.30 (1.153)	10.26 (.404)	21.20 (.834)	Gold	192900-0422	TST 12 RB 06Y	192991-0245	TST 12 RB 02Z
					Tin	192990-3340	TST 12 RB 06T	192991-0246	TST 12 RB 02T
24	21.30 (1.834)	39.37 (.600)	15.32 (.603)	31.30 (1.232)	Gold	192900-0423	TST 24 RB 06Y	192991-0253	TST 24 RB 02Z
					Tin	192990-3350	TST 24 RB 06T	192991-0254	TST 24 RB 02T
36	46.60 (1.834)	15.24 (.600)	15.64 (.615)	21.20 (.834)	Gold	192900-0424	TST 36 RB 06Y	192991-0261	TST 36 RB 02Z
					Tin	192990-3360	TST 36 RB 06T	192991-0262	TST 36 RB 02T

* ±0.08 (0.003)



FEATURES

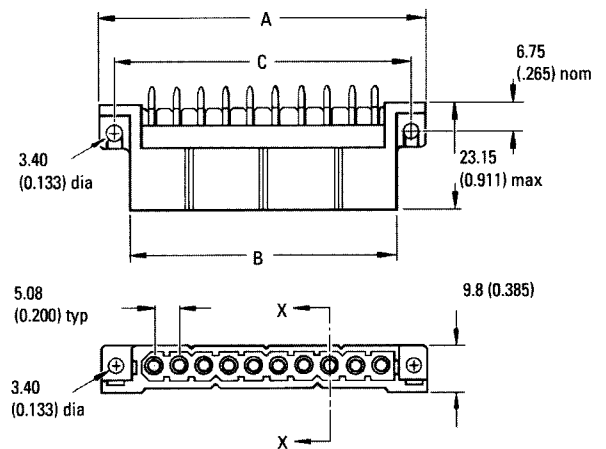
- Less than 10mm (0.393") width on PC board
- Pin headers pre-loaded with straight or 90° machined solder tail pins
- Mating plug accepts any Trident crimp socket contact
- Plugs have integrally moulded quick connect/disconnect latches
- Five single row contact arrangements available



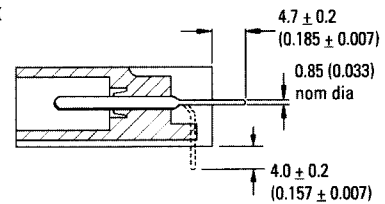
Characteristics	Performance
Material	UL 94V-0 rated Nylon, colour black
Operating Voltage	250 Va.c. r.m.s.
Contact Current Rating	Up to 10 A (See contact specification)
Operating Temperature	-40°C to +105°C
Insulation Resistance	5000 Mohms at 500 Vd.c.

Number of contacts	Dimensions (Max)			
	A	B	C	D
3	31.4 (1.236)	19.4 (0.763)	25.5 (1.003)	16.1 (0.633)
4	36.5 (1.437)	24.5 (0.964)	30.6 (1.204)	21.2 (0.834)
6	46.7 (1.838)	34.7 (1.366)	40.7 (1.602)	31.4 (1.236)
9	61.9 (2.437)	49.9 (1.964)	56.0 (2.204)	46.6 (1.834)
10	67.0 (2.637)	55.0 (2.165)	61.1 (2.405)	51.6 (2.031)

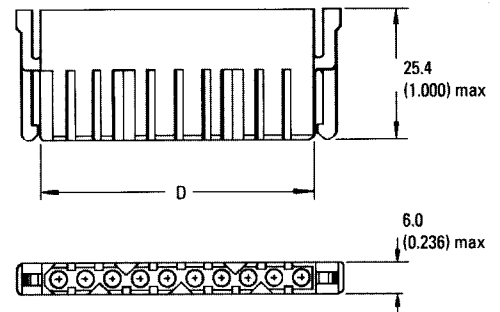
Pin Headers



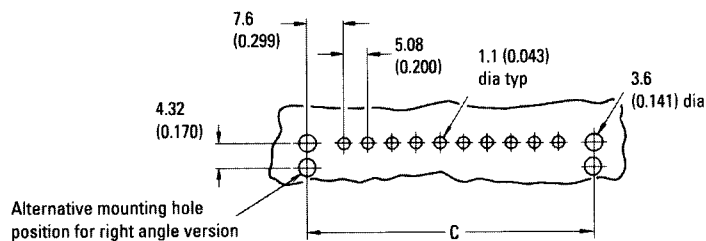
Section on X-X



Plugs



Mounting Dimensions



PART NUMBERS

No. of contacts	Description	Order Code Pack of 100	Nomenclature
3	90° Pin Header - Each	192991-0317	TST 03 RE 01T
	Straight Pin Header - Each	192991-0316	TST 03 RD 01T
	Plug Connector - Pack of 100	192990-0960	TST 03 PF 00
4	90° Pin Header - Each	192991-0319	TST 04 RE 01T
	Straight Pin Header - Each	192991-0318	TST 04 RD 01T
	Plug Connector - Pack of 100	192990-0970	TST 04 PF 00
6	90° Pin Header - Each	192991-0321	TST 06 RE 01T
	Straight Pin Header - Each	192991-0320	TST 06 RD 01T
	Plug Connector - Pack of 100	192990-0980	TST 06 PF 00
9	90° Pin Header - Each	192991-0323	TST 09 RE 01T
	Straight Pin Header - Each	192991-0322	TST 09 RD 01T
	Plug Connector - Pack of 100	192990-0990	TST 09 PF 00
10	90° Pin Header - Each	192991-0325	TST 10 RE 01T
	Straight Pin Header - Each	192991-0324	TST 10 RD 01T
	Plug Connector - Pack of 100	192990-1000	TST 10 PF 00

● Socket contacts must be ordered separately for the plug connectors. See Pages 26-28.

● Pin header contacts are tin plated.

● Gold plated version is also available. Please consult your local ITT Cannon Sales Office for further details

HOW TO ORDER

The table below shows how the nomenclature for the Slimline Range is constructed.

A Nomenclature to Ordering Code Cross Reference is shown on Pages 31-32.

