

Ureg



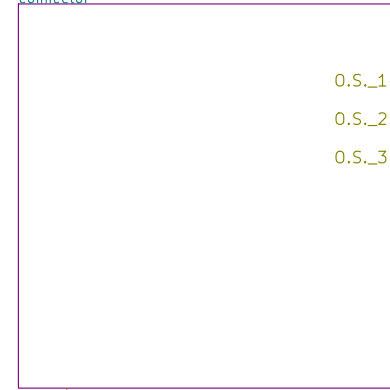
ureg.sch

ATmega328



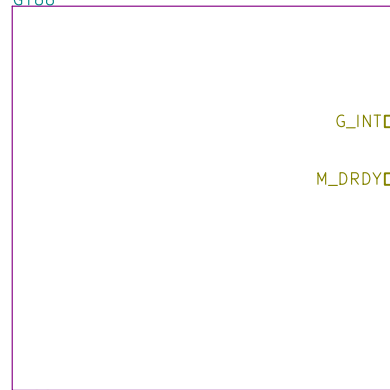
atmega328.sch

connector



con.sch

GY88



gy88.sch

microSD



microsd.sch

Sheet: /
File: Umweltdaten.sch

Title:

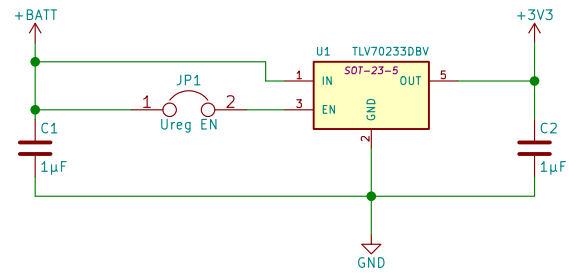
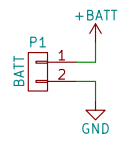
Size: A4

Date:

Rev:

KiCad E.D.A. kicad 0.201508170901+609728ubuntu14.04.1-product

Id: 1/6



Sheet: /Ureg/
File: ureg.sch

Title:

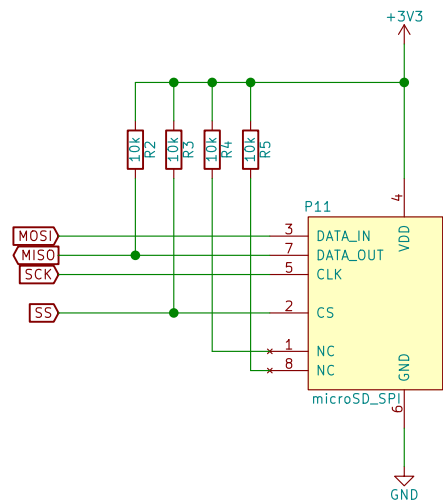
Size: A4

Date:

Rev:

KiCad E.D.A. kicad 0.201508170901+609728ubuntu14.04.1-product

Id: 2/6



Sheet: /microSD/
 File: microsd.sch

Title:

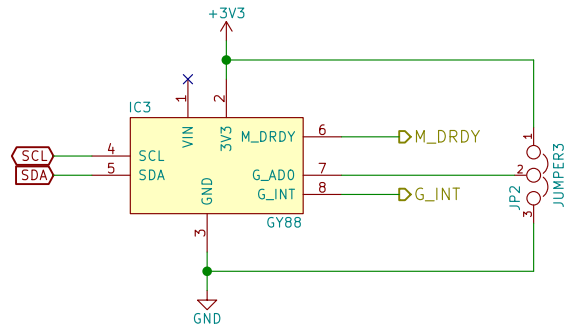
Size: A4

Date:

Rev:

KiCad E.D.A. kicad 0.201508170901+609728ubuntu14.04.1-product

Id: 3/6



Sheet: /GY88/
 File: gy88.sch

Title:

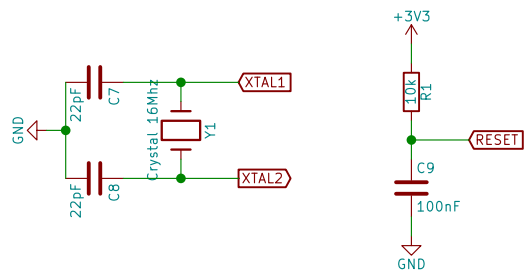
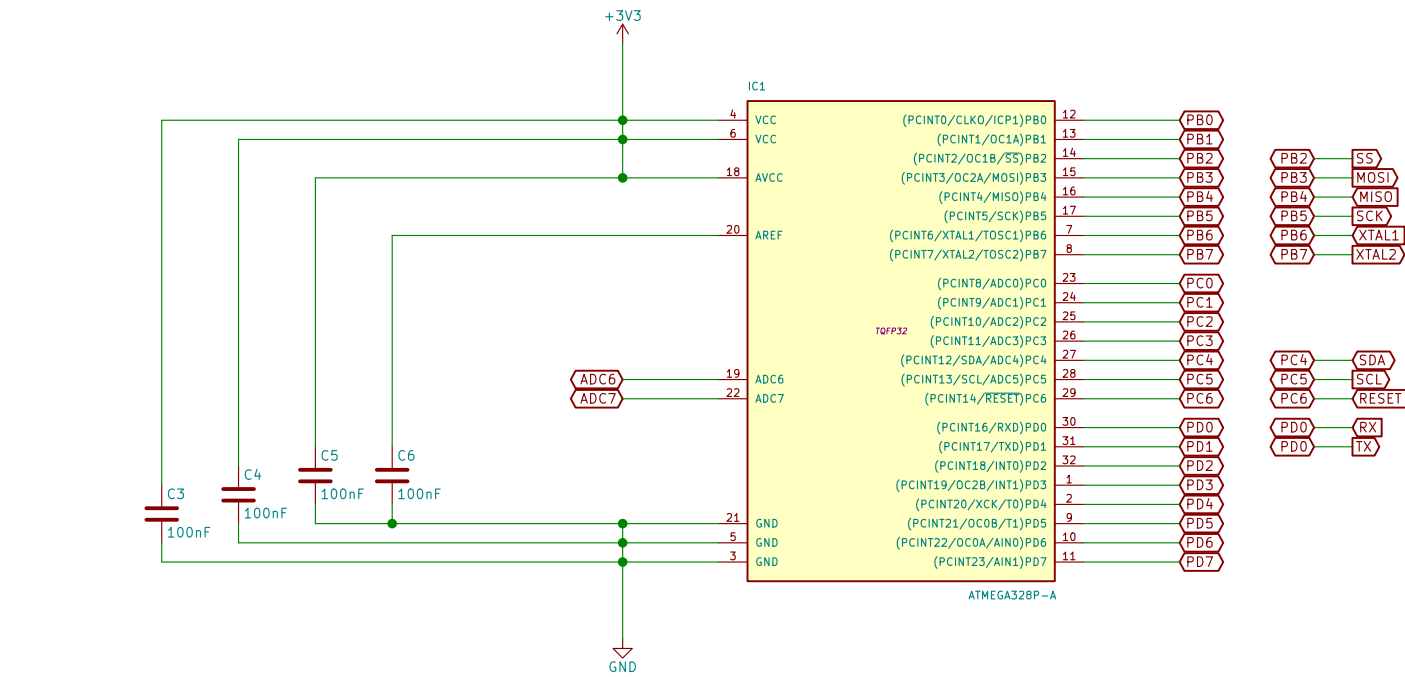
Size: A4

Date:

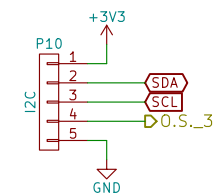
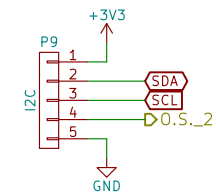
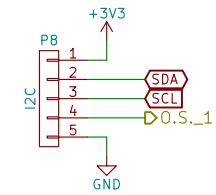
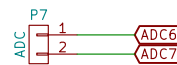
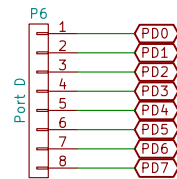
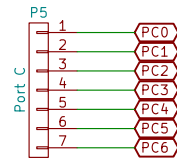
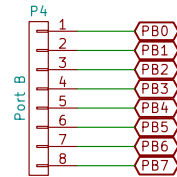
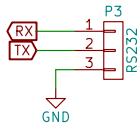
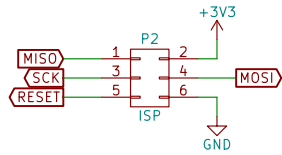
Rev:

KiCad E.D.A. kicad 0.201508170901+609728ubuntu14.04.1-product

Id: 4/6



| | | | |
|---------------------|---|-------|---------|
| Sheet: /ATmega328/ | | Date: | |
| File: atmega328.sch | | Rev: | |
| Size: A4 | KiCad E.D.A. kicad 0.201508170901+609728ubuntu14.04.1-product | | Id: 5/6 |



Sheet: /connector/
File: con.sch

Title:

Size: A4

Date:

Rev:

KiCad E.D.A. kicad 0.201508170901+609728ubuntu14.04.1-product

Id: 6/6