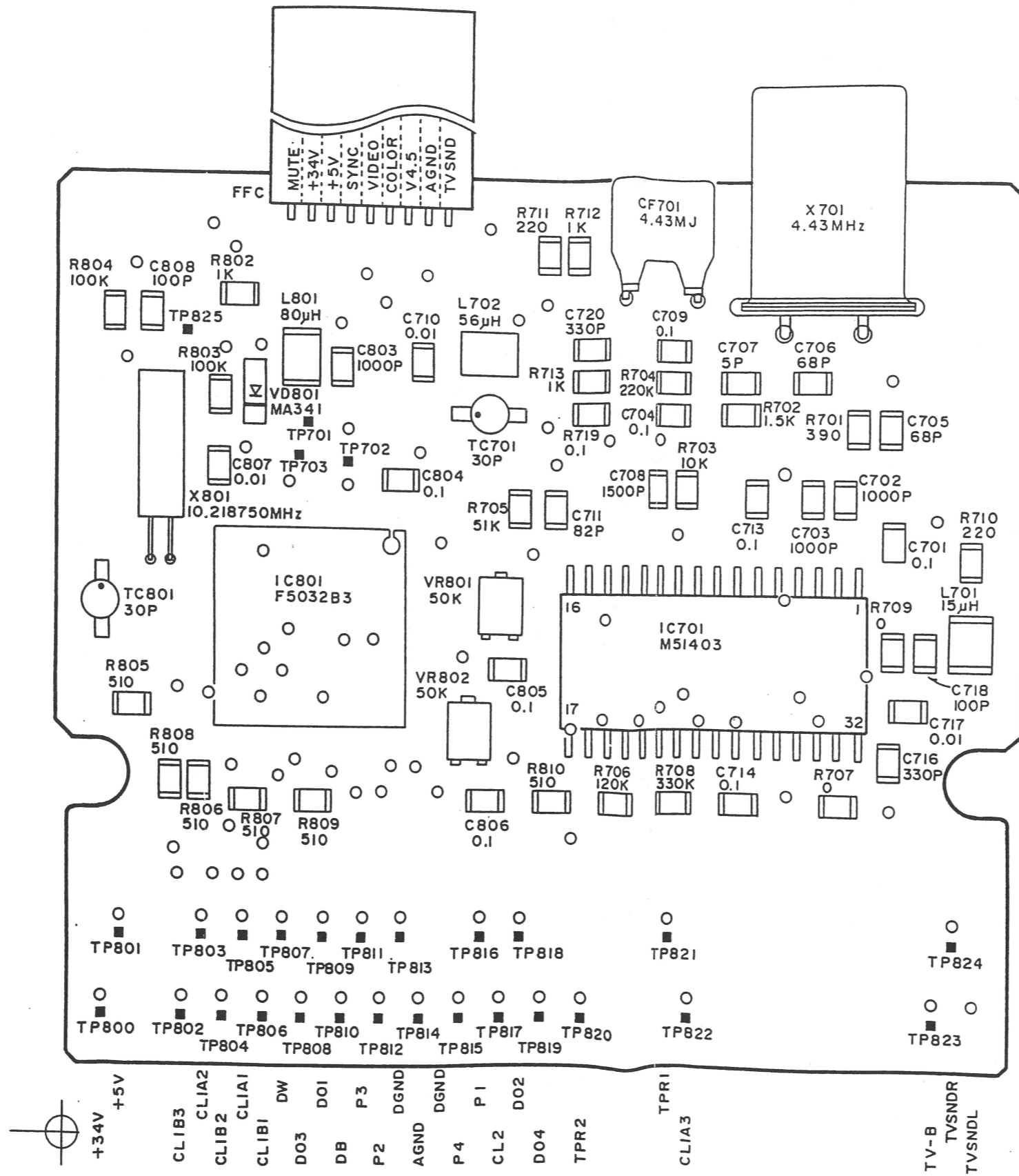


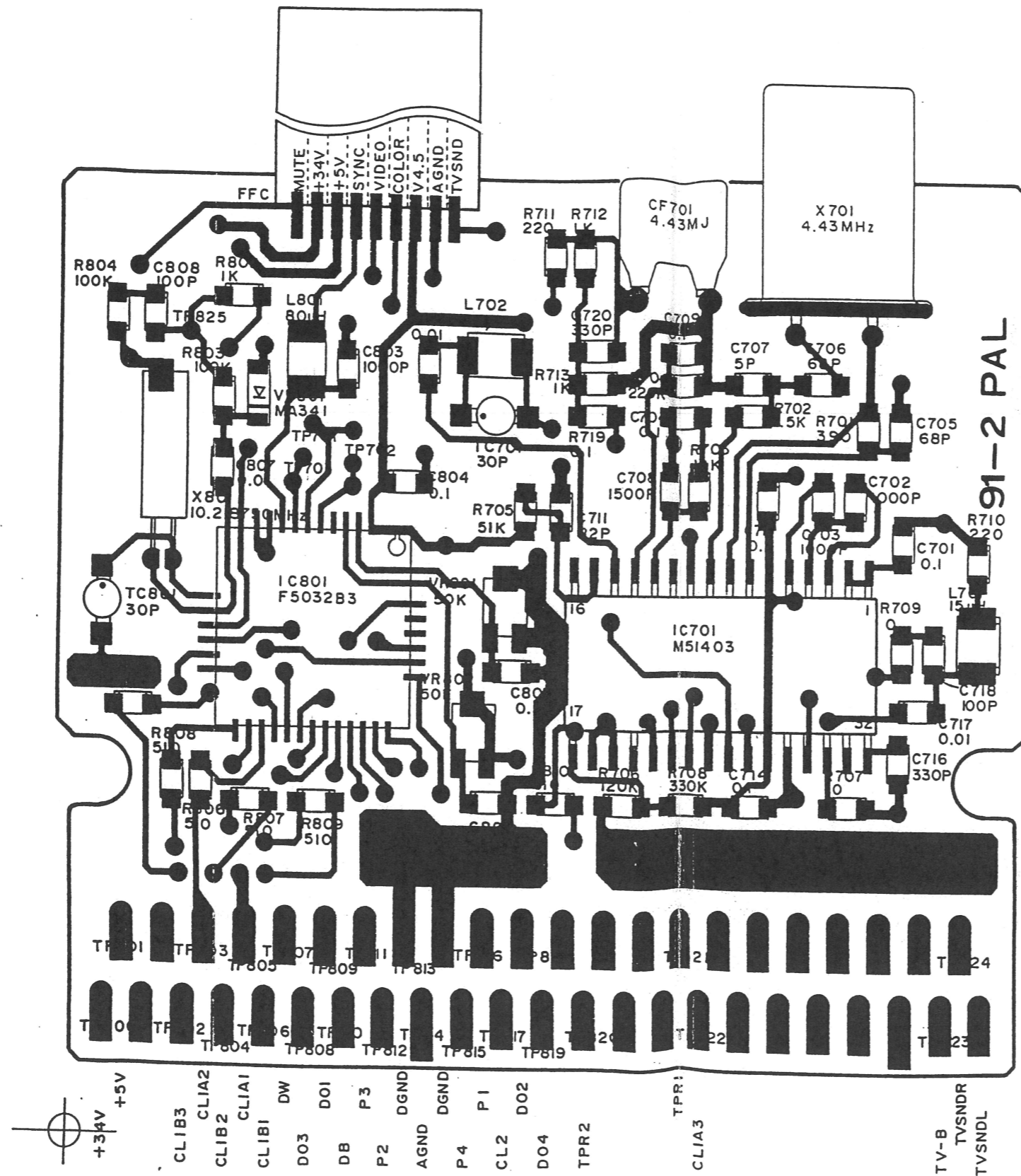
PCB (TOP AND BOTTOM VIEWS)

VIDEO PCB ASS'Y (PCB-1) TOP VIEW



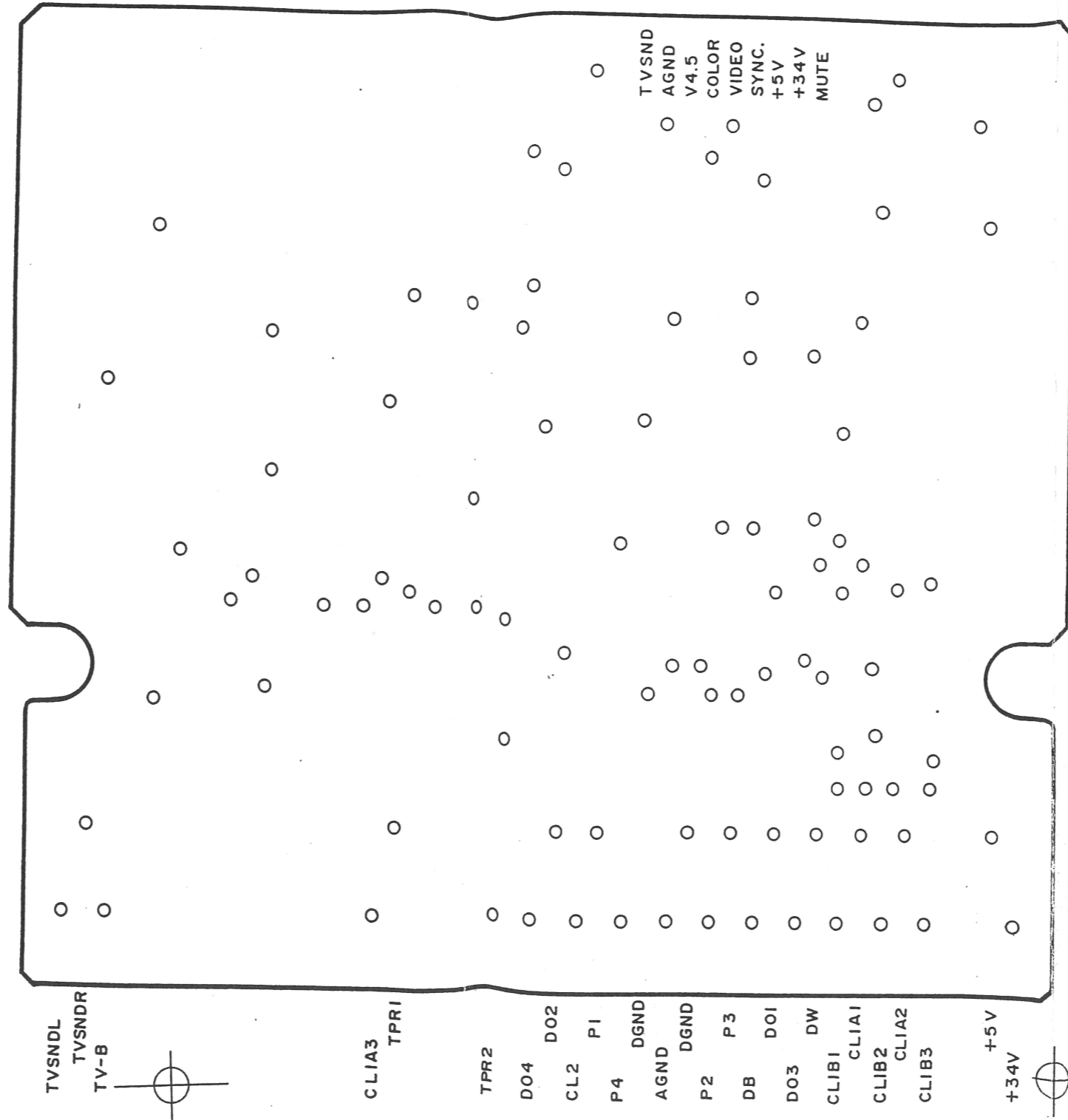
PCB (TOP AND BOTTOM VIEWS)

VIDEO PCB ASS'Y (PCB-1)
TOP VIEW



91-2 PAL

VIDEO PCB ASS'Y (PCB-1)
BOTTOM VIEW



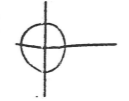
TVSNDL
TVSNDR
TV-B



CLIA3
TPR1

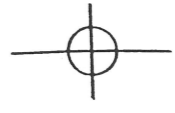
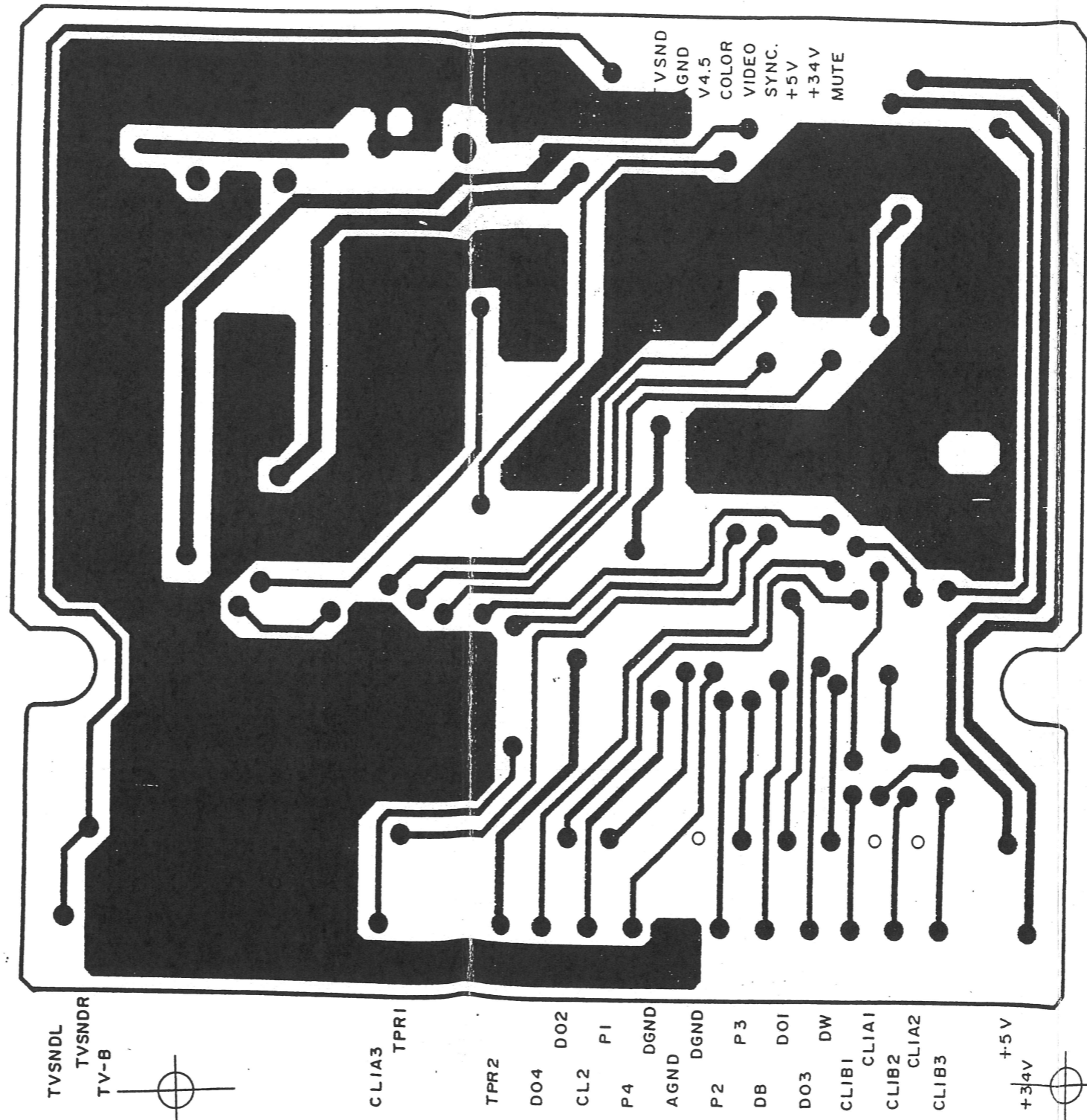
TPR2
D04
CL2
P4
AGND
P2
DB
D03
CLIB1
CLIB2
CLIB3

+5V
+34V



The length of projections of wires must be Max 0.3 mm.

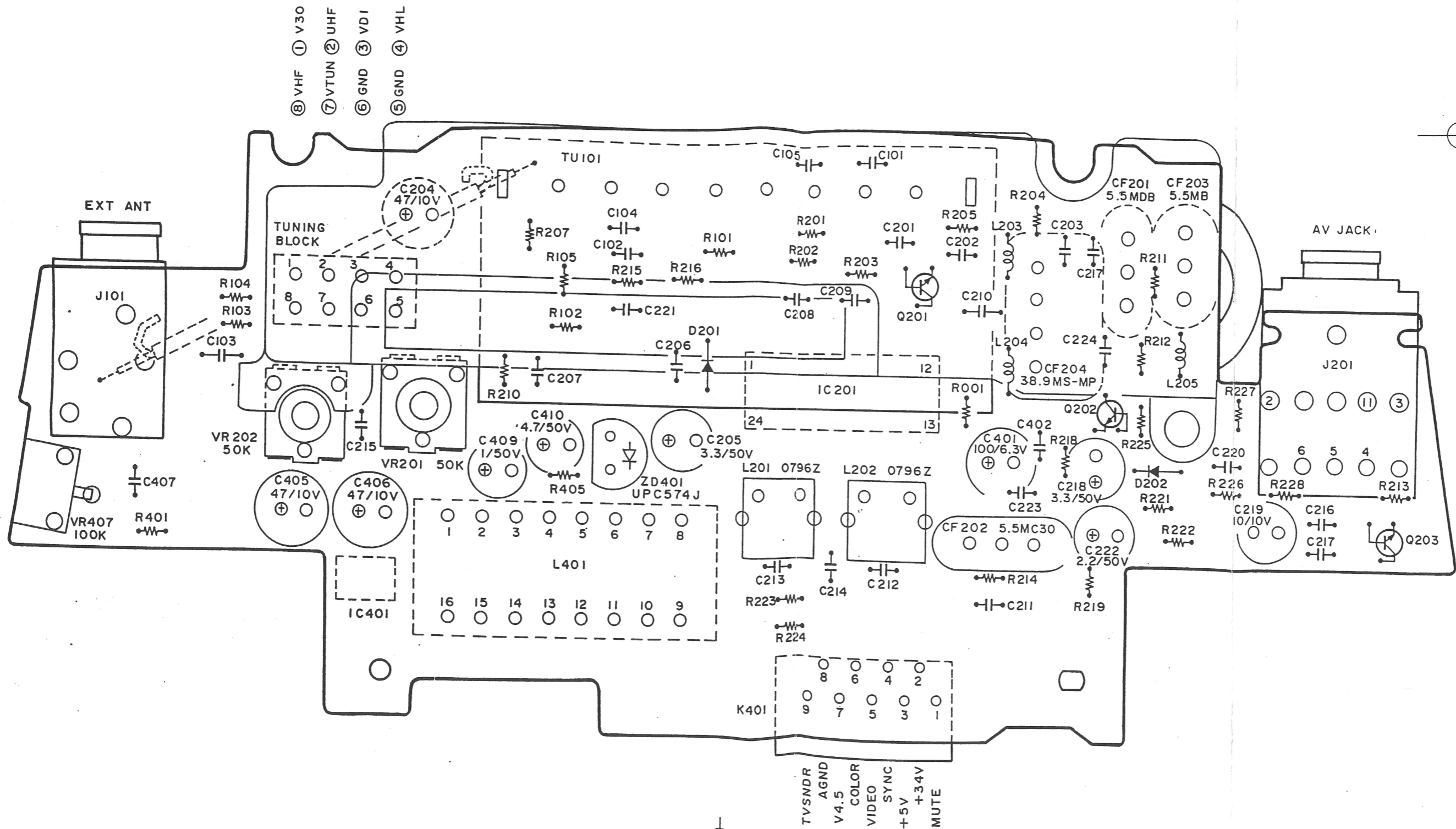
VIDEO PCB ASS'Y (PCB-1)
BOTTOM VIEW



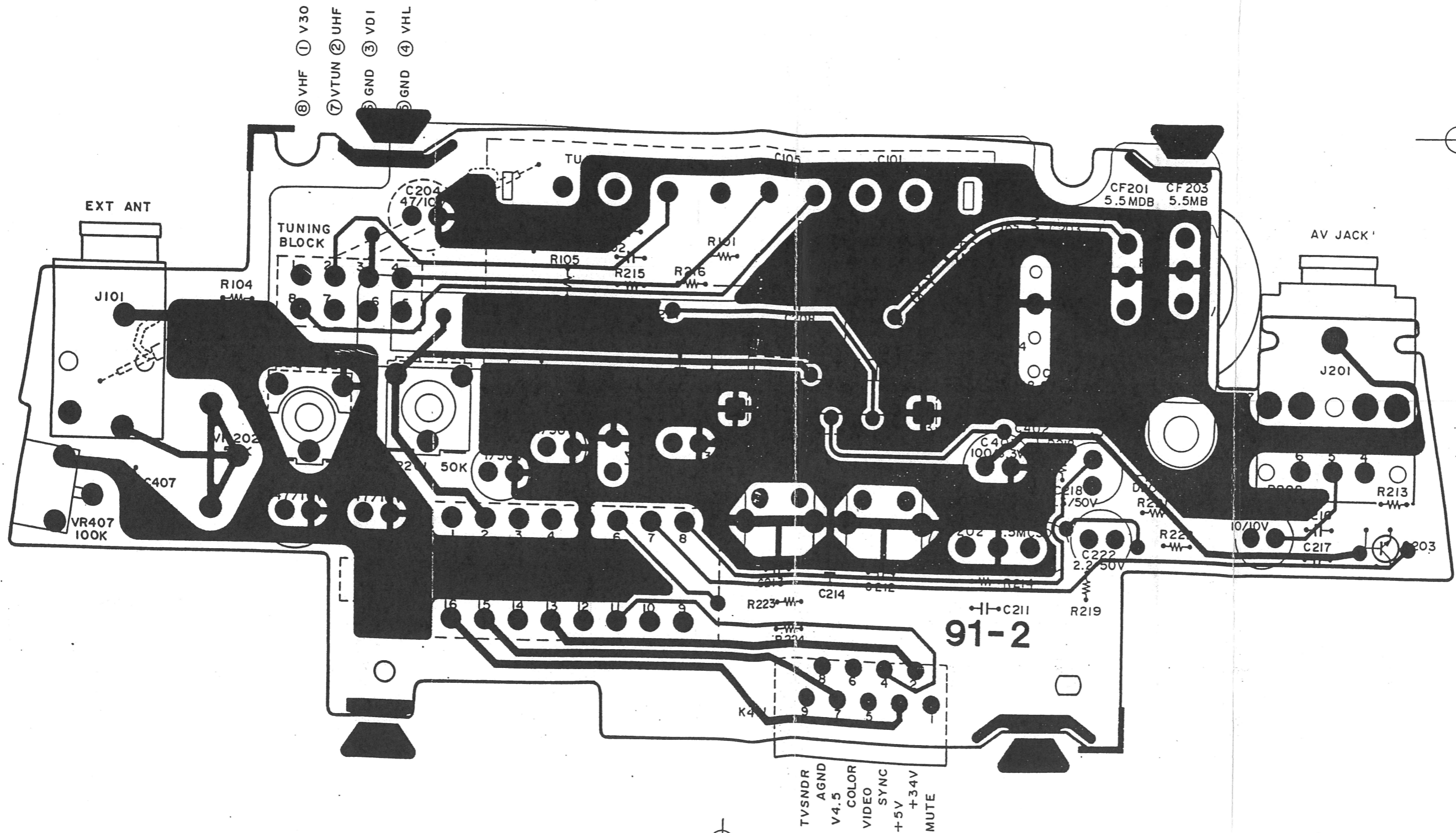
MX=300S MA=300S 24 03
2.10NE R/P IN/M
LENGTH=0.25 LIMIT=3

The length of projections of wires must be Max 0.3 mm.

TV RECEIVER PCB ASS'Y (PCB-2)
TOP VIEW

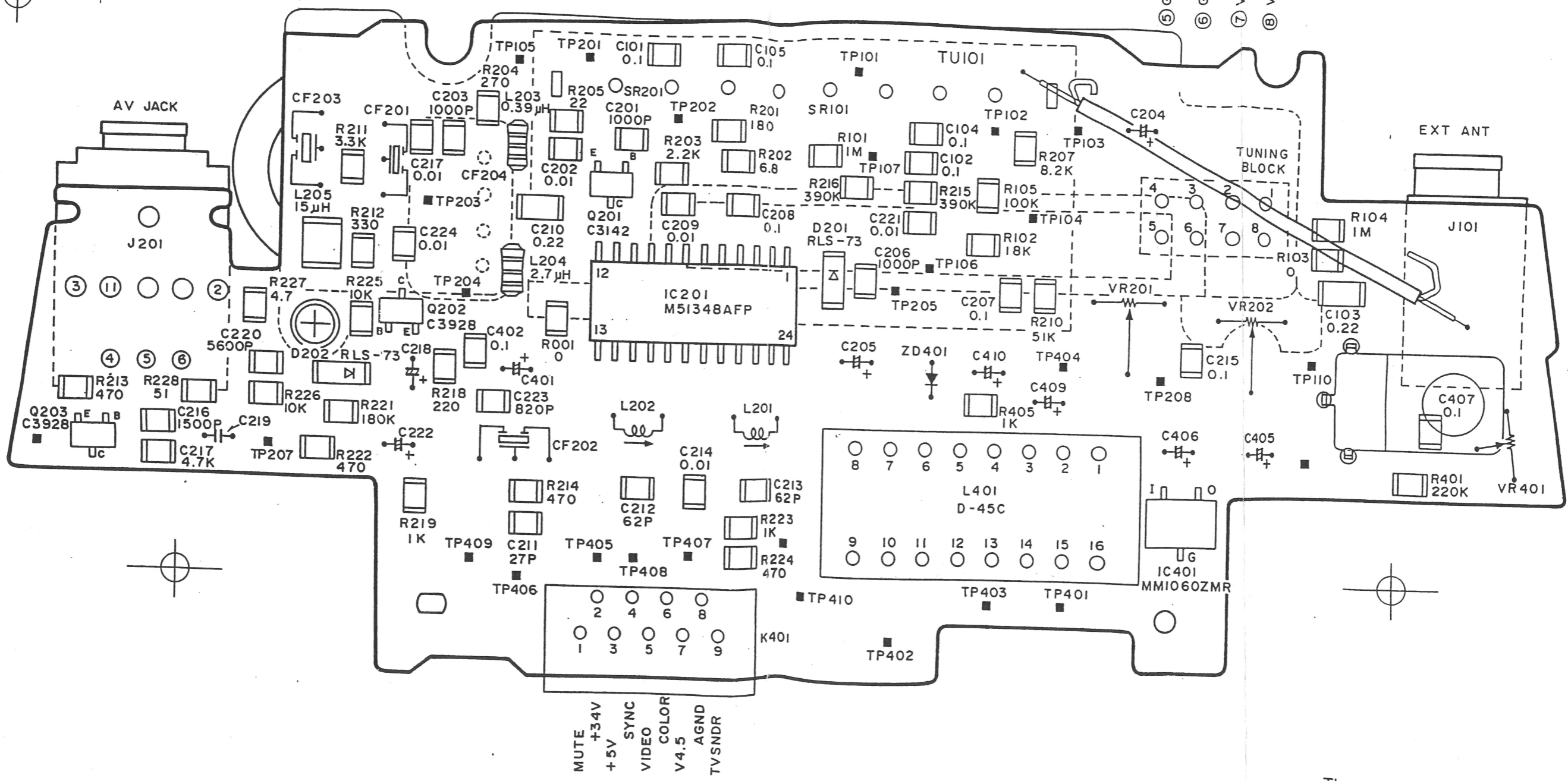
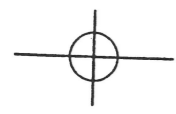


TV RECEIVER PCB ASS'Y (PCB-2)
TOP VIEW



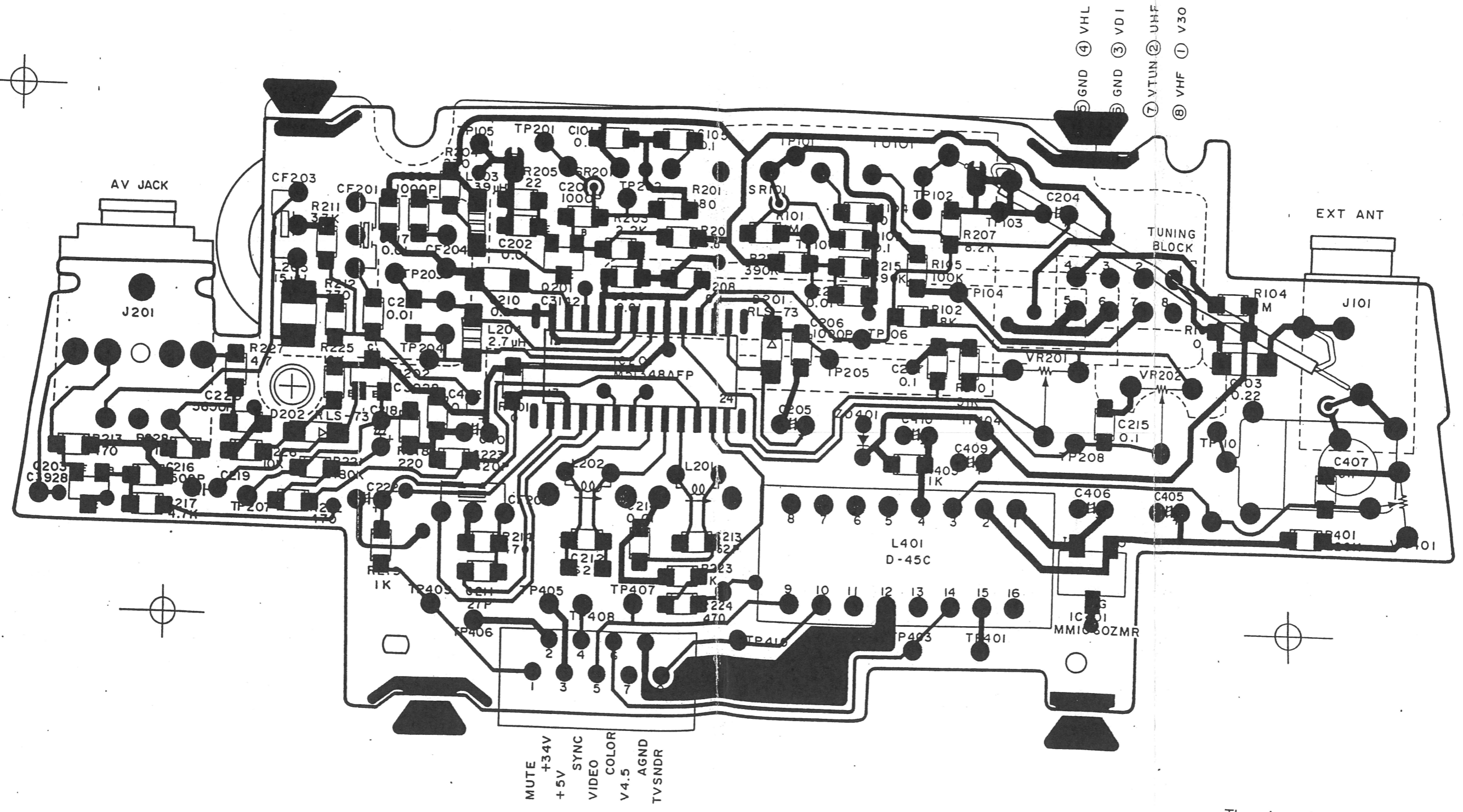
TV RECEIVER PCB ASS'Y (PCB-2)
BOTTOM VIEW

- ⑤ GND
- ④ VHL
- ⑥ GND
- ③ VDI
- ⑦ VTUN
- ② UHF
- ⑧ VHF
- ① V30



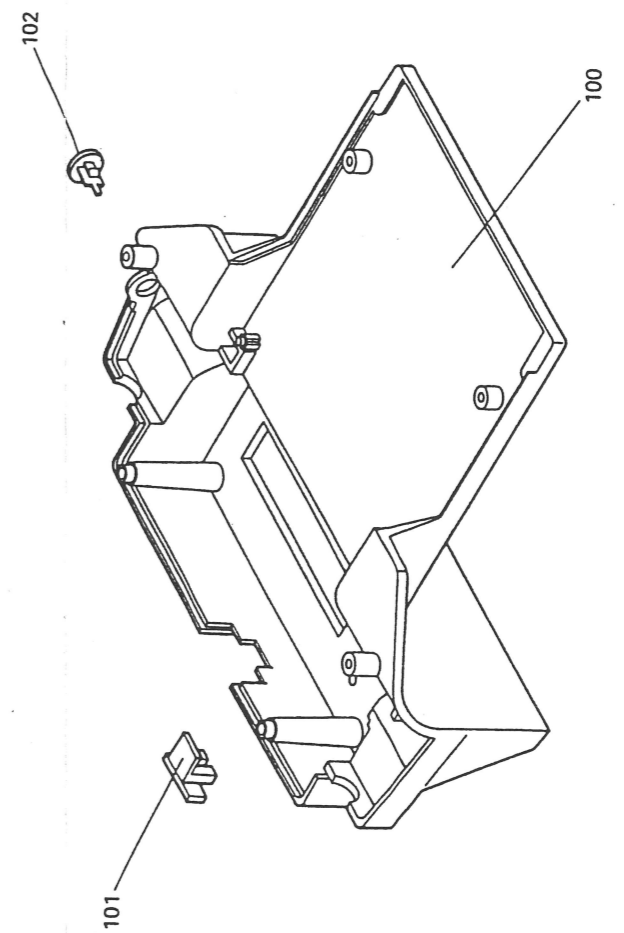
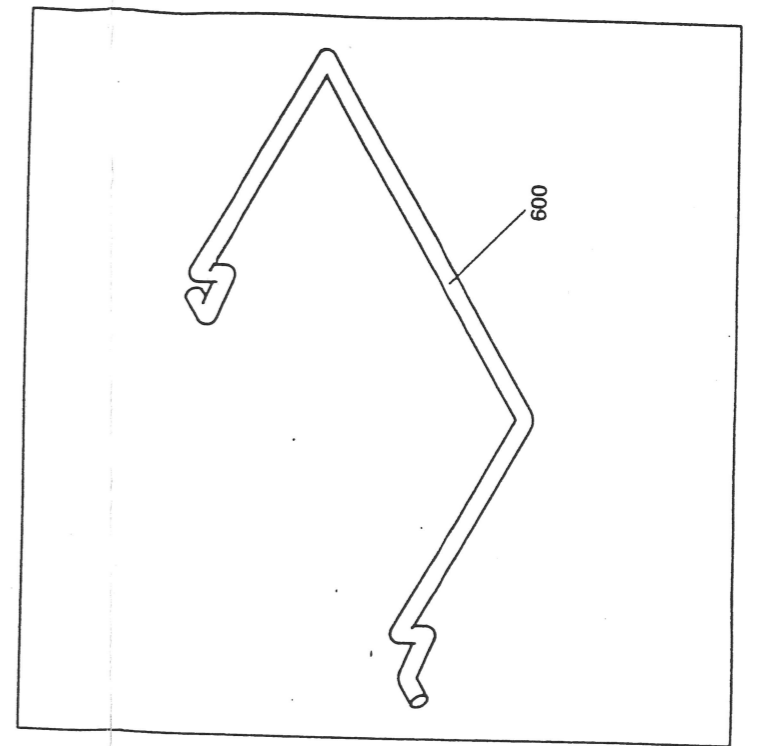
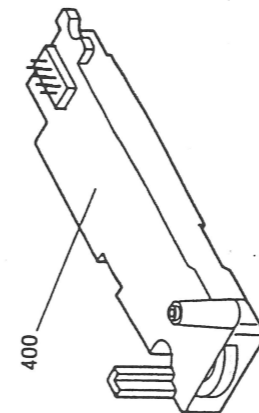
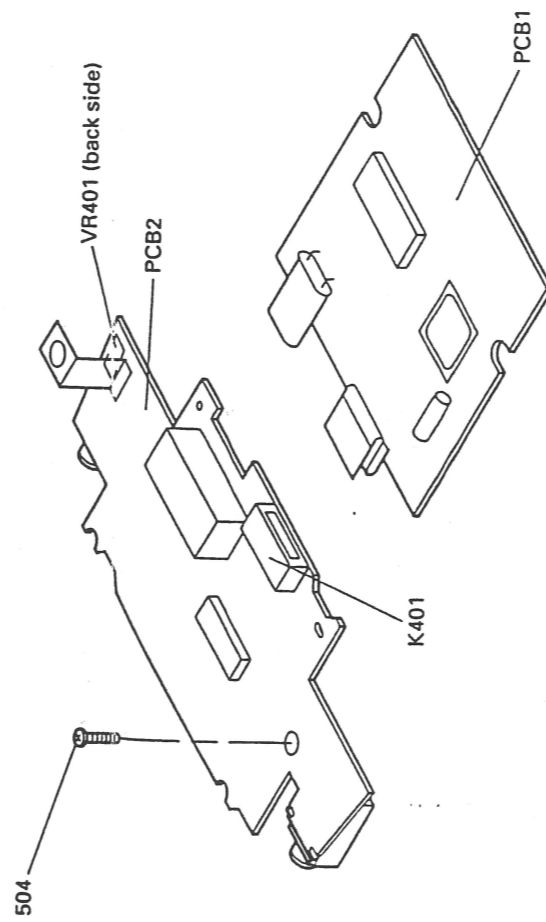
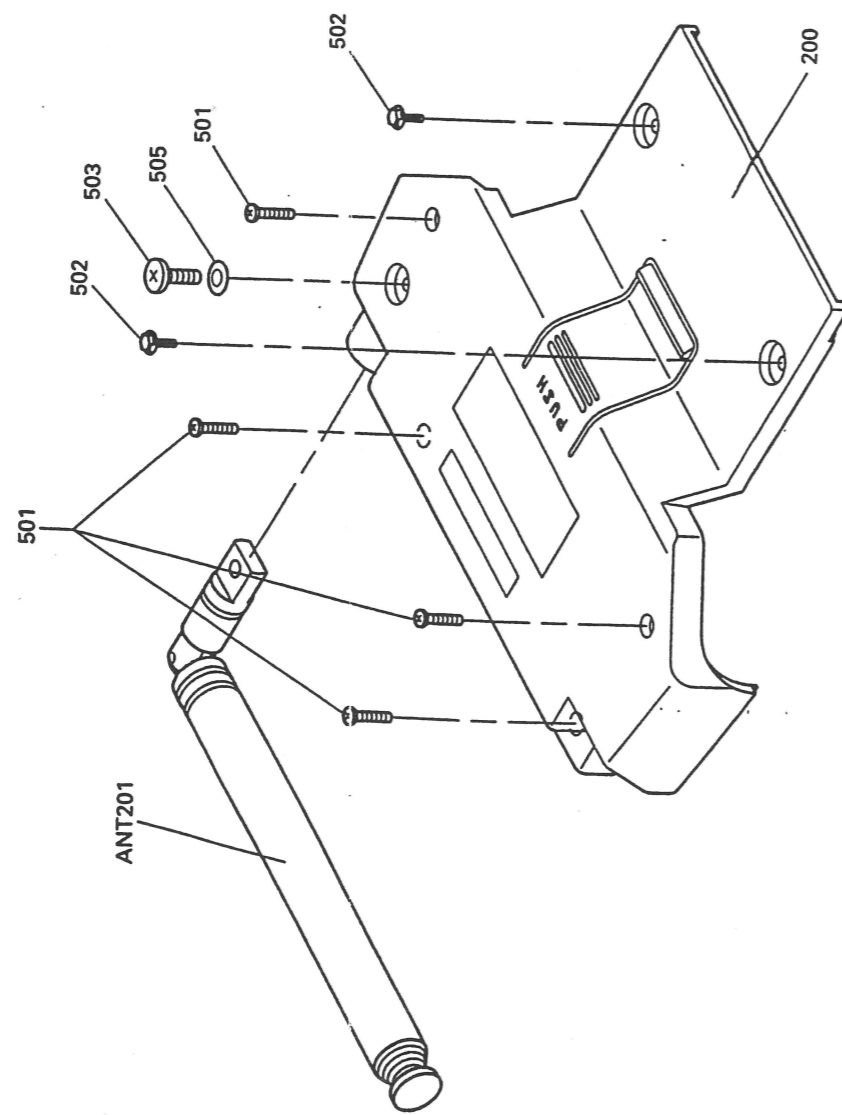
The wires of L401 must be cut.

TV RECEIVER PCB ASS'Y (PCB-2)
BOTTOM VIEW



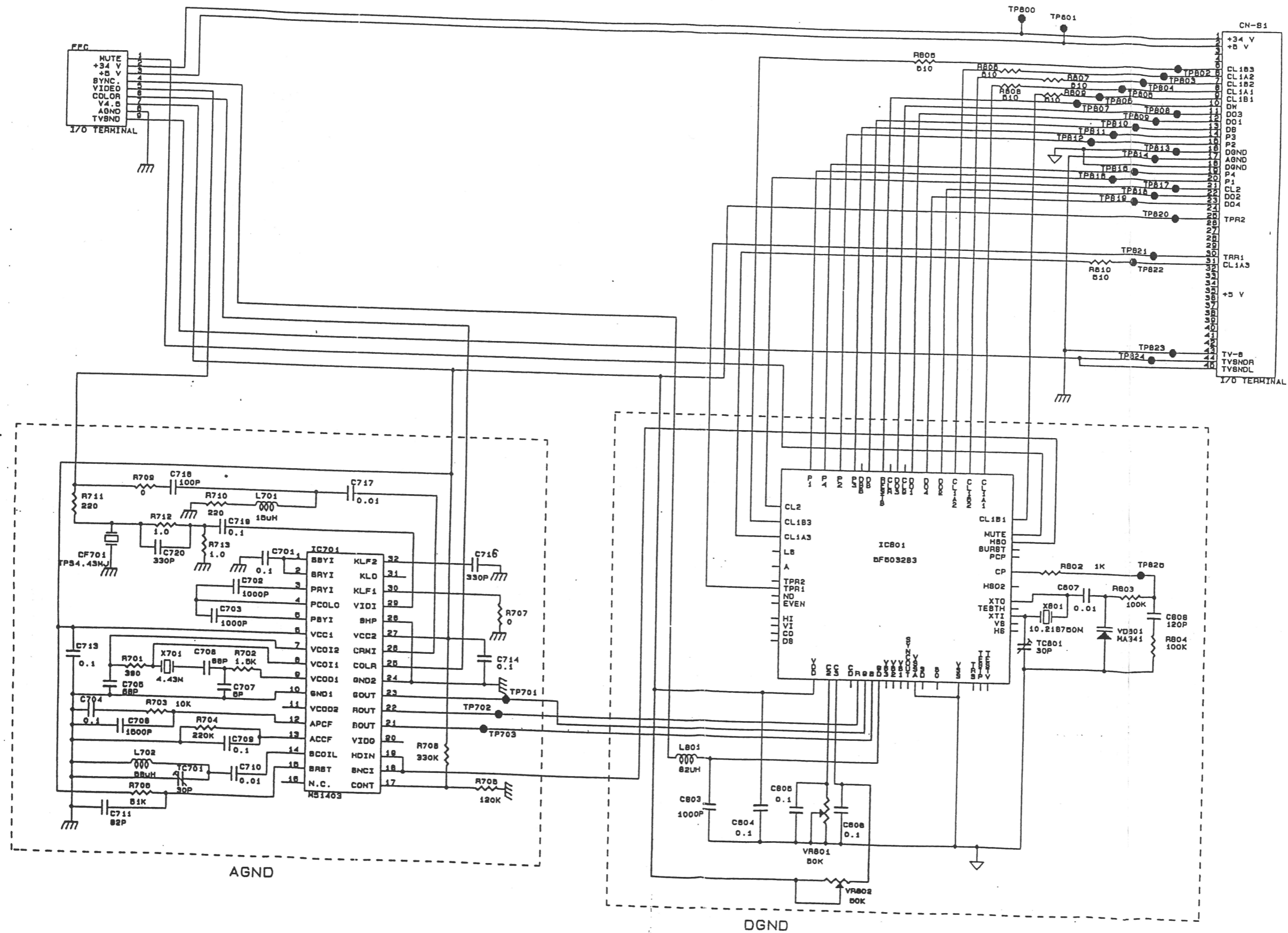
The wires of L401 must be cut.

EXPLODED VIEW



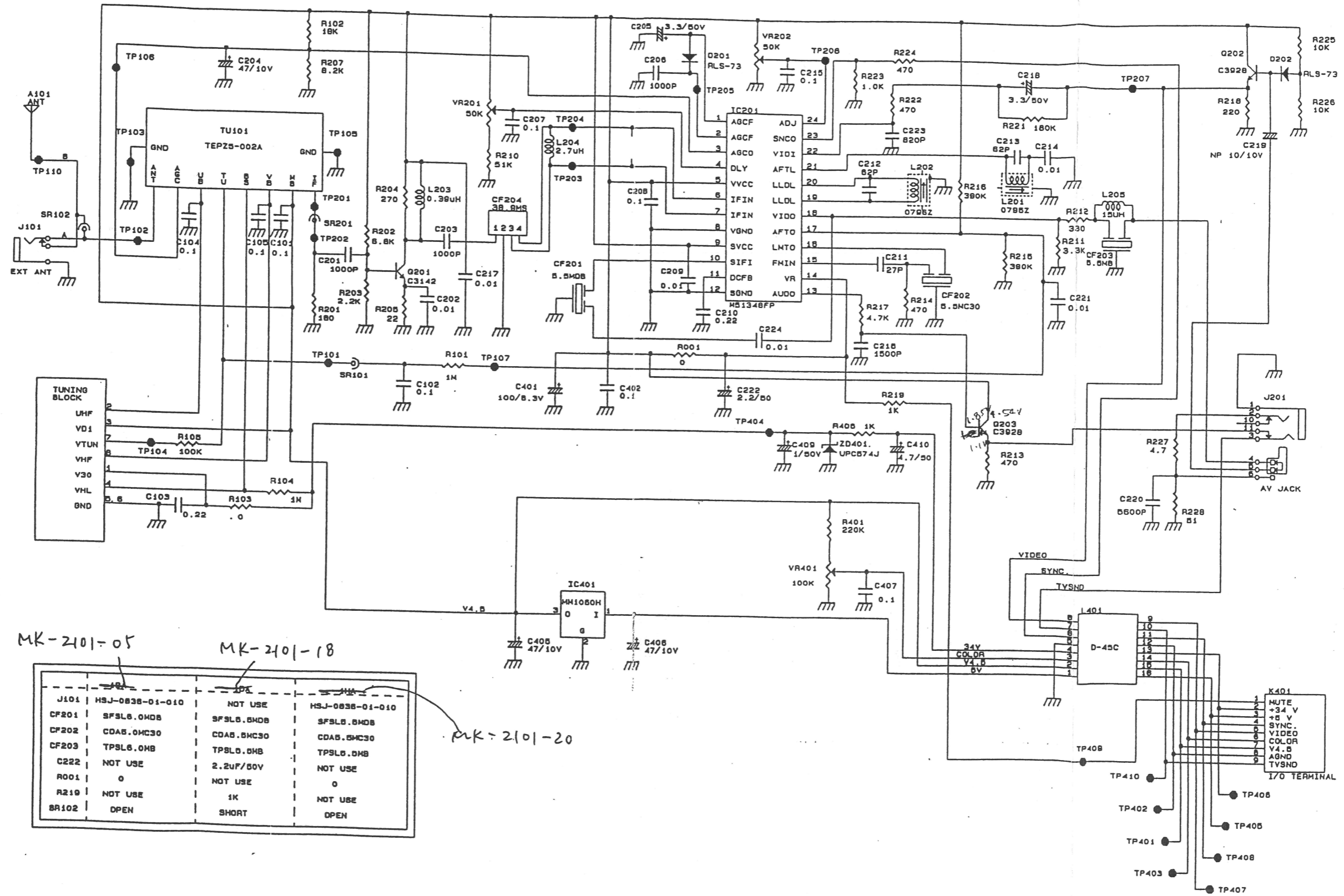
SCHEMATIC DIAGRAM

PCB-1



SCHEMATIC DIAGRAM

PCB-2



MK-2101-05

MK-2101-18

MK-2101-20

Part	Value	Value	Value
J101	HSJ-0838-01-010	NOT USE	HSJ-0838-01-010
CF201	SFSL6.0MdB	SFSL6.0MdB	SFSL6.0MdB
CF202	CDAS.0MC30	CDAS.0MC30	CDAS.0MC30
CF203	TPSL6.0MB	TPSL6.0MB	TPSL6.0MB
C222	NOT USE	2.2uF/50V	NOT USE
R001	0	NOT USE	0
R219	NOT USE	1K	NOT USE
SR102	OPEN	SHORT	OPEN