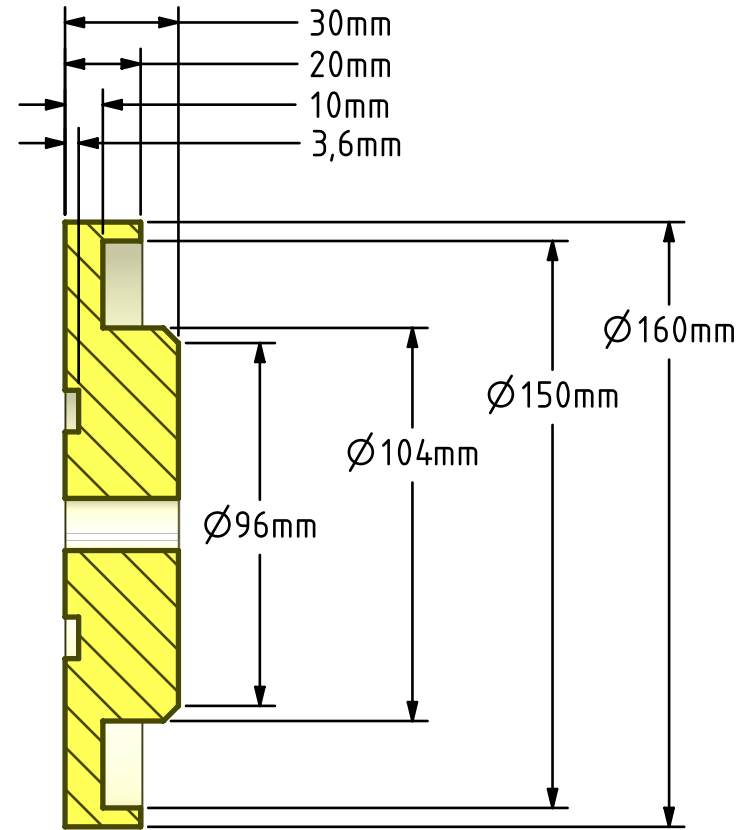
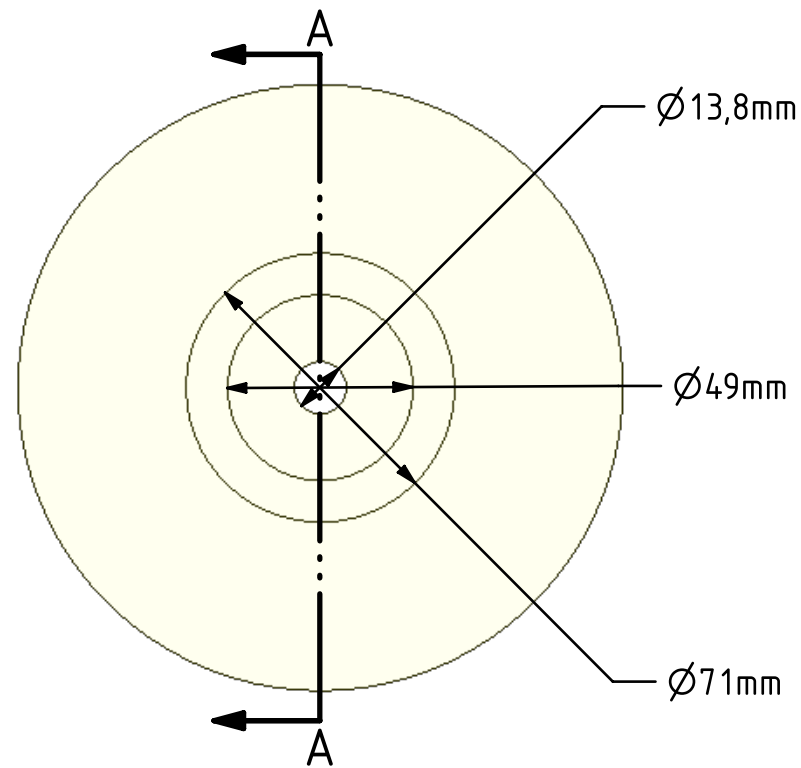


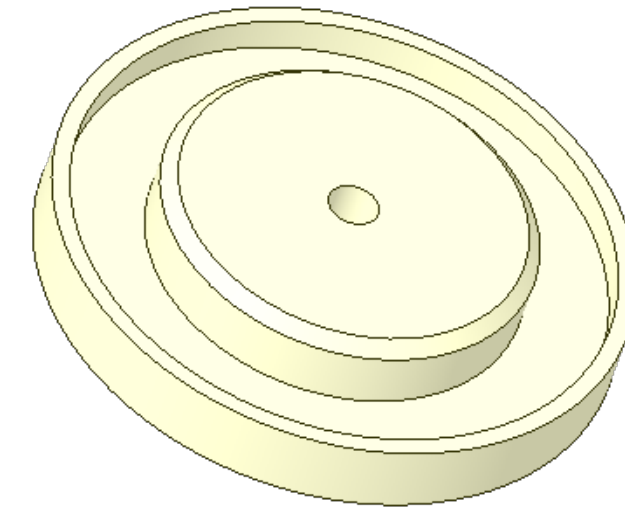
NOTES: All chamfers are 45°

REVISION HISTORY

REV	DESCRIPTION	INCORP BY	DATE	CHECKED
1.2	PCB mount included	LH	4.9.15	
1.3	Updated Material	LH	22.9.15	



SECTION A-A



Allgemeintoleranz nach DIN ISO 2768-m		
-2 QTY REQD	-1 ITEM NO.	PART OR IDENTIFYING NO.
		NOMENCLATURE OR DESCRIPTION

PARTS LIST

INIT	APPROVALS	DATE	INIT	APPROVALS	DATE
LH	V1.2 OK	6.9.15			
LH	V1.3 OK	22.9.15			

TITLE
Abschlusskappe

SIZE B	CAGE CODE	DWG NO.	REV 1.3
SCALE		SHEET 1	

CONTRACT NO.		MATERIAL Polyoxymethylen
		FINISH
		TREATMENT Lathe
NEXT ASSY	USED ON	SIMILAR TO
APPLICATION		

