

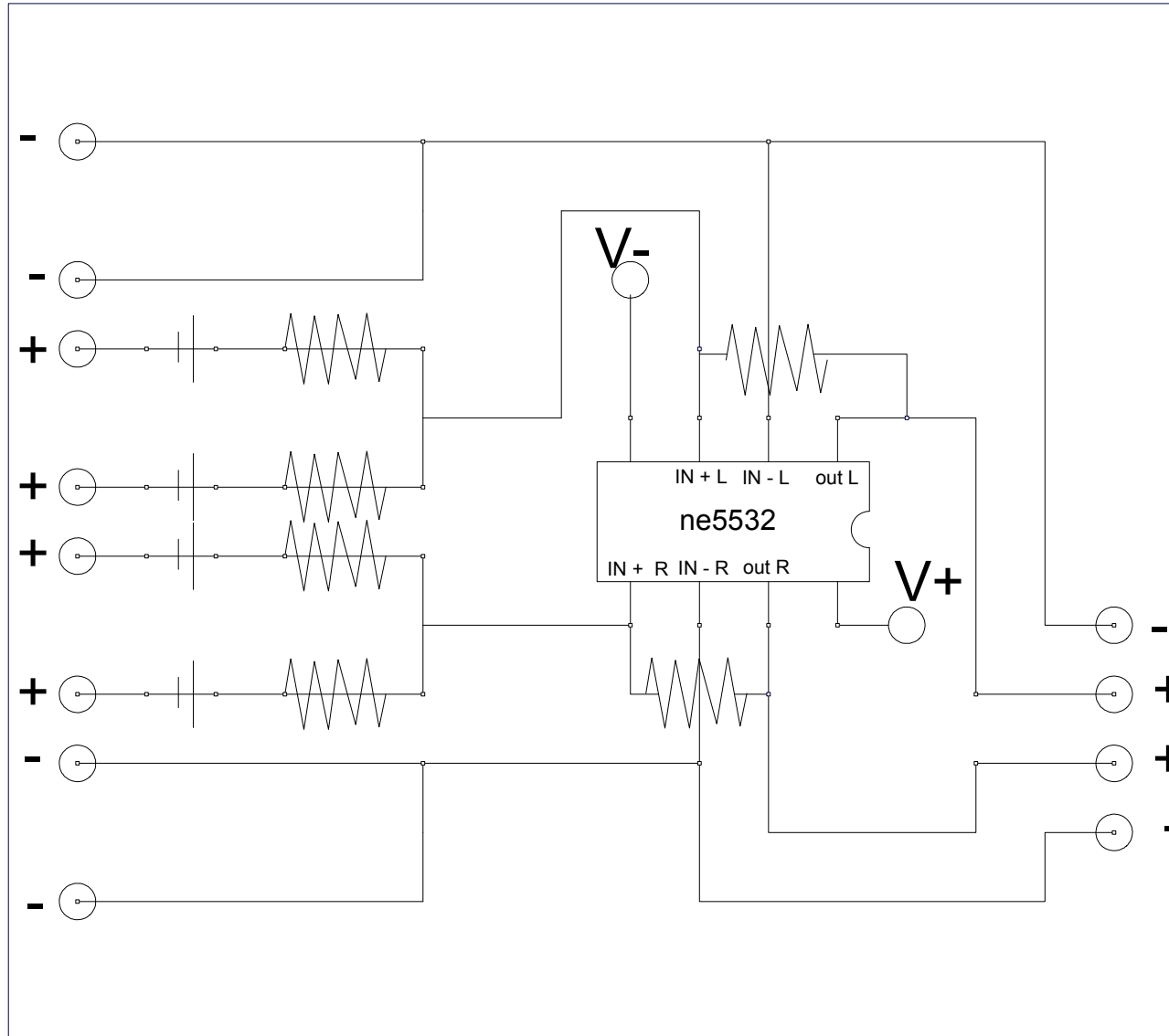
GND 2 L

GND 1 L
in 1 L

in 2 L
in 1 R

in 2 R
GND 2 R

GND 1 R



GND L
out L
out R
GNDR