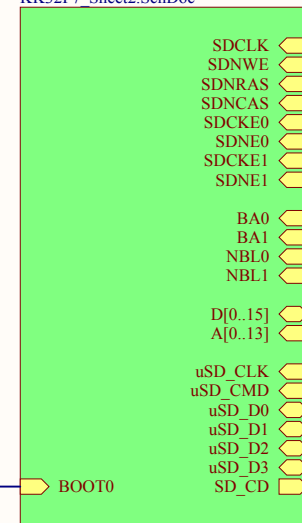
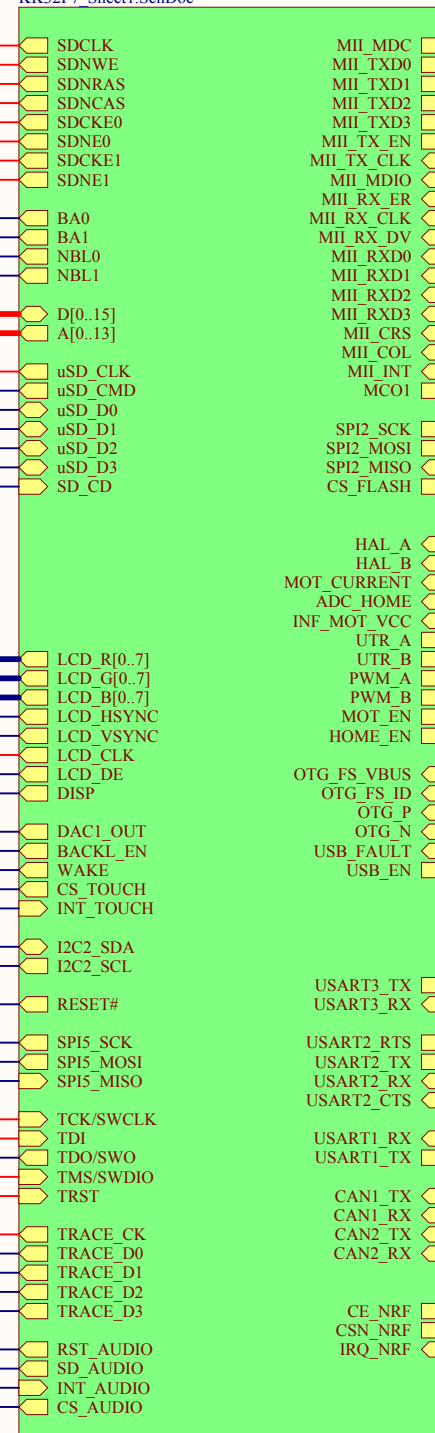


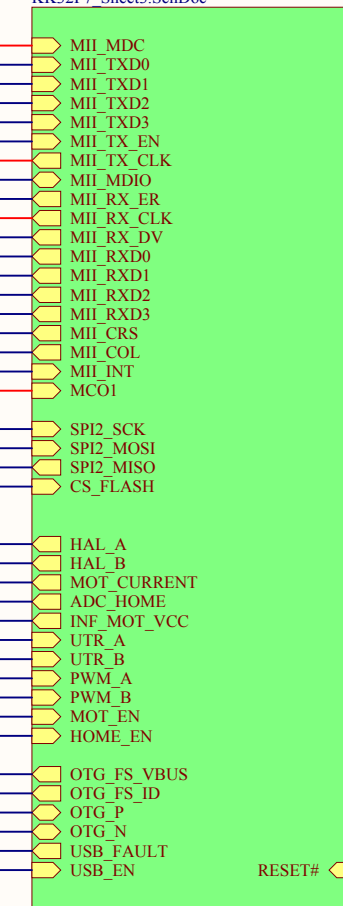
U_KK32F7_Sheet2
KK32F7_Sheet2.SchDoc



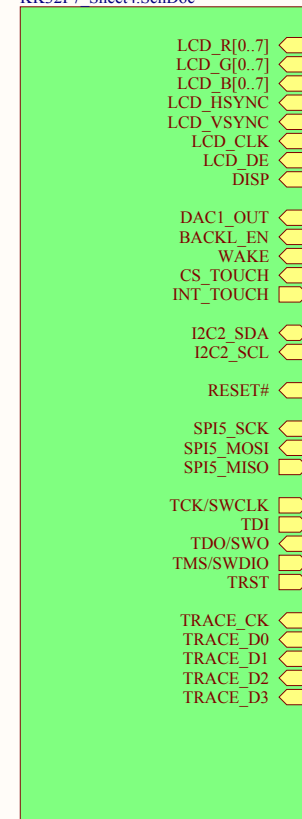
U_KK32F7_Sheet1
KK32F7_Sheet1.SchDoc



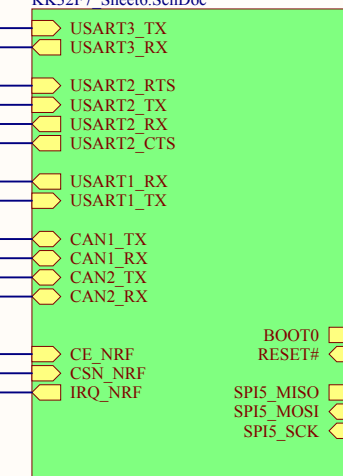
U_KK32F7_Sheet3
KK32F7_Sheet3.SchDoc



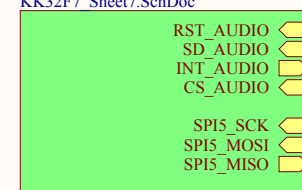
U_KK32F7_Sheet4
KK32F7_Sheet4.SchDoc



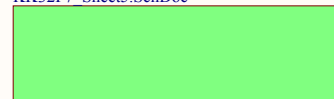
U_KK32F7_Sheet6
KK32F7_Sheet6.SchDoc

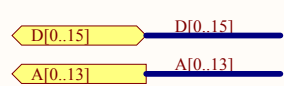


U_KK32F7_Sheet7
KK32F7_Sheet7.SchDoc



U_KK32F7_Sheet5
KK32F7_Sheet5.SchDoc





D[0..15] → D[0..15]
 A[0..13] → A[0..13]

