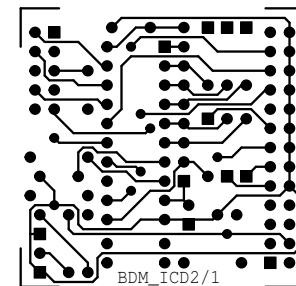


Component side



Solder side

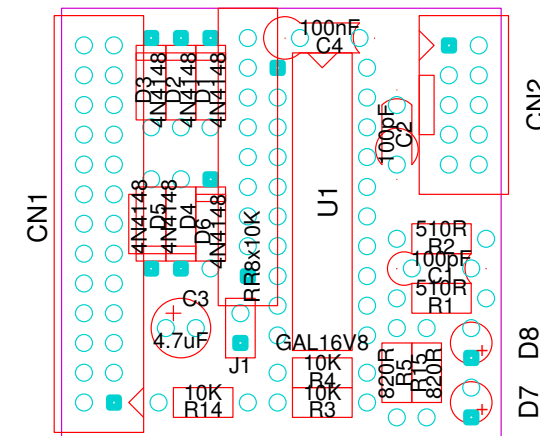
WARNING

This is not official schematic and GAL definition.
 GAL definition is my own, I have not had any original ICD cable.

OPAL file definition

```

begin definition
device GAL16V8
inputs
DSI=2, DSCLK=3, BREAK=4, RESET=5, OE=6, M_FREEZE=7, M_DSO=8, SW=9, BERR=11;
outputs (com)
M_BERR=19, M_DSCLK=18, DSO=16, FREEZE=14, MAGIC=12;
feedback (com)
M_DSI=17, M_RESET=15, FF_BREAK=13;
end definition
begin equations
M_DSI=DSI;      M_DSI.oe=M_FREEZE&OE;
M_DSCLK=DSCLK&FF_BREAK&M_RESET;
FF_BREAK=BREAK | (FF_BREAK&(M_FREEZE|M_DSI));
M_RESET=RESET; M_RESET.oe=/RESET;
M_BERR=/BERR;  M_BERR.oe=BERR;
FREEZE=M_FREEZE; DSO=M_DSO;      MAGIC=0;
end equations
  
```



Ěíslo:	PIKRON s.r.o
Název:	BDM_ICD2
Mířítko:	Datum: 20. 5.2002