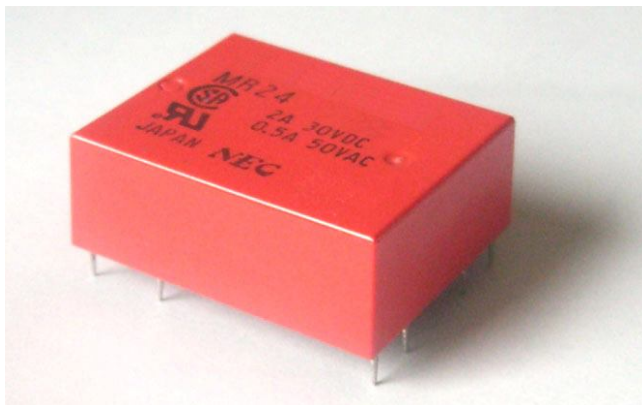


MR24 Relays

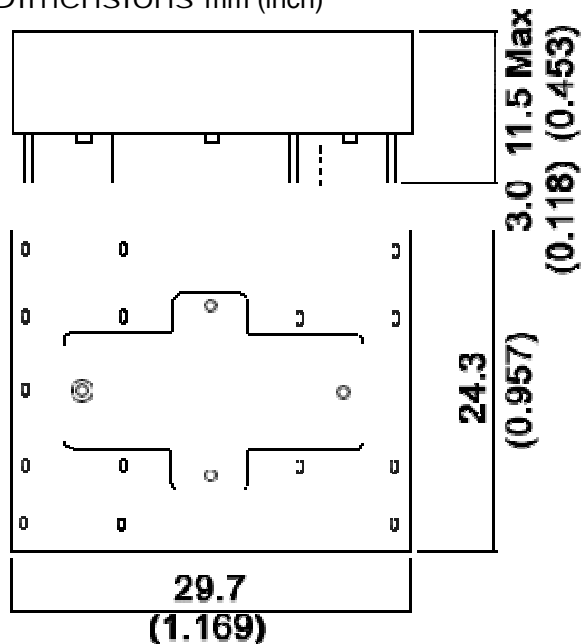


Type MR24 series Flat Relays offer extremely high reliability and sensitivity in a low profile package for P/C board applications.

MR24 is suitable for applications requiring high density mounting. Their applications range from telecommunication systems to general industrial use.



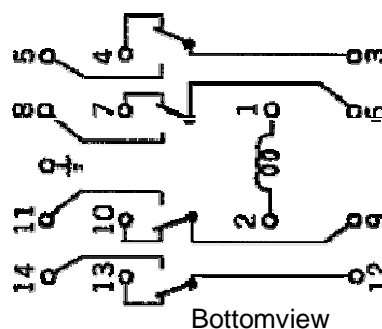
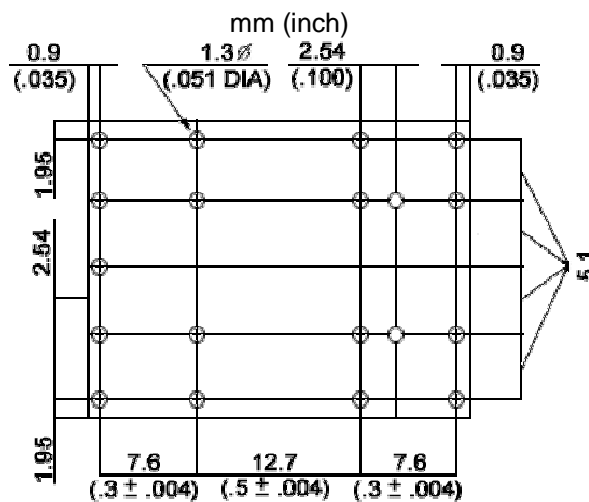
Dimensions mm (inch)



Features

- HIGH RELIABILITY AND LONG LIFE**
 MR24 are noted for their high reliability insured with bifurcated contacts, high contact force and card lift-off method. Moreover a mechanical life expectancy is over 10^8 operations.
- HIGH PERFORMANCE IN HARSH AMBIENT CONDITIONS**
 MR24 are plastic sealed relays which maintain highly stable contact resistance even after long use in harsh conditions.
- AUTOMATIC WAVE SOLDERING POSSIBLE**
 MR24 plastic sealed relays prevent soldering flux vapor and detergent solvent entry. Therefore they can successfully eliminate costly hand soldering.
- UL RECOGNIZED (E73266), CSA Certified (LR67342)**

PCB PAD LAYOUT and SCHEMATIC



MR24 Relays



Specifications		
Contact rating	Max. Switching power	60W / 125VA
	Max. Switching Voltage	30 V DC / 50 V AC
	Max. Switching Current	2 A
	Max. Carrying Current	3 A
Initial Contact Resistance		100 mΩ Max.
Contact Material		Silver allow with gold overlay
Operate Time (excluding bounce)		Approx. 10 m sec.
Release Time (excluding bounce)		Approx. 3 m sec.
Insulation Resistance		1,000 MΩ (at 500 V DC)
Breakdown Voltage	Between open contacts	1,000 V AC (for 1 minute) 500 V DC (for 1 minute)
	Between Coil and Contacts	1,000 V AC (for 1 minute)
Shock Resistance		Deenergized condition : 10G Energized condition : 20 G
Vibration Resistance		Deenergized condition : 10G Energized condition : 20 G
Electro-static Capacitance	Between Open Contacts	Approx. 3 pF
	Between Contacts and Coil	Approx. 3 pF
	Between Contact and Earthterminal	Approx. 6 pF
Ambient Temperature		-40 °C to 65 °C (-40 °F to 149 °F)
Life Expectancy	Mechanical	1 x 10 ⁸ operations
	Electrical (resistive)	1 x 10 ⁸ operations (at 30V DC, 1A resistive)
Unit Weight		Approx. 16 g (0.56oz)
Coil-control Values (MR24-4R08NA)		
Nominal Voltage		4.0 V DC
Must Operate Voltage		3.25 V DC
Must Release Voltage		1.45 V DC
Coil resistance		Approx 60 Ω (+/- 5%)
Nominal Operating Power		270 mW